



US00D462712S

(12) **United States Design Patent**
Katou et al.

(10) **Patent No.:** **US D462,712 S**

(45) **Date of Patent:** **** Sep. 10, 2002**

(54) **TONER CARTRIDGE**

D448,042 S * 9/2001 Hale et al. D18/43
D451,127 S * 11/2001 Katou et al. D18/43

(75) Inventors: **Keiji Katou**, Nara-ken (JP); **Takahiko Kimura**, Nara-ken (JP); **Hiroshi Kubota**, Osaka-fu (JP); **Yoshinori Otsuka**, Nara-ken (JP); **Yoshiki Ichikawa**, Nara-ken (JP); **Yasuyuki Ishiguro**, Osaka-fu (JP)

* cited by examiner

Primary Examiner—Caron D. Veynar
(74) *Attorney, Agent, or Firm*—Nixon & Vanderhye P.C.

(73) Assignee: **Sharp Kabushiki Kaisha**, Osaka (JP)

(57) **CLAIM**

(**) Term: **14 Years**

The ornamental design for a “toner cartridge”, as shown and described.

(21) Appl. No.: **29/142,866**

DESCRIPTION

(22) Filed: **Jun. 5, 2001**

FIG. 1 is a top, right side and rear perspective view of a toner cartridge according to our design;

(30) **Foreign Application Priority Data**

Dec. 20, 2000 (JP) 2000-036407

FIG. 2 is a top plan view thereof;

(51) **LOC (7) Cl.** **16-03**

(52) **U.S. Cl.** **D18/43**

FIG. 3 is a front elevational view thereof;

(58) **Field of Search** D18/40, 43, 56;

399/24–27, 262; 222/DIG. 1

FIG. 4 is a right side elevational view thereof;

FIG. 5 is a left side elevational view thereof;

FIG. 6 is a rear elevational view thereof; and,

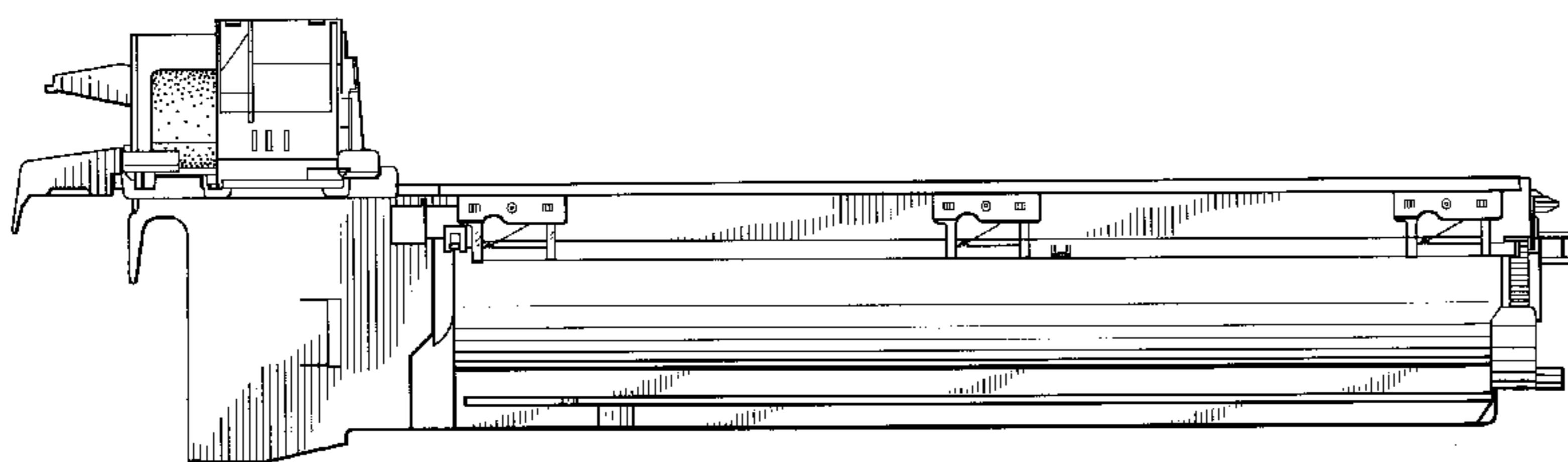
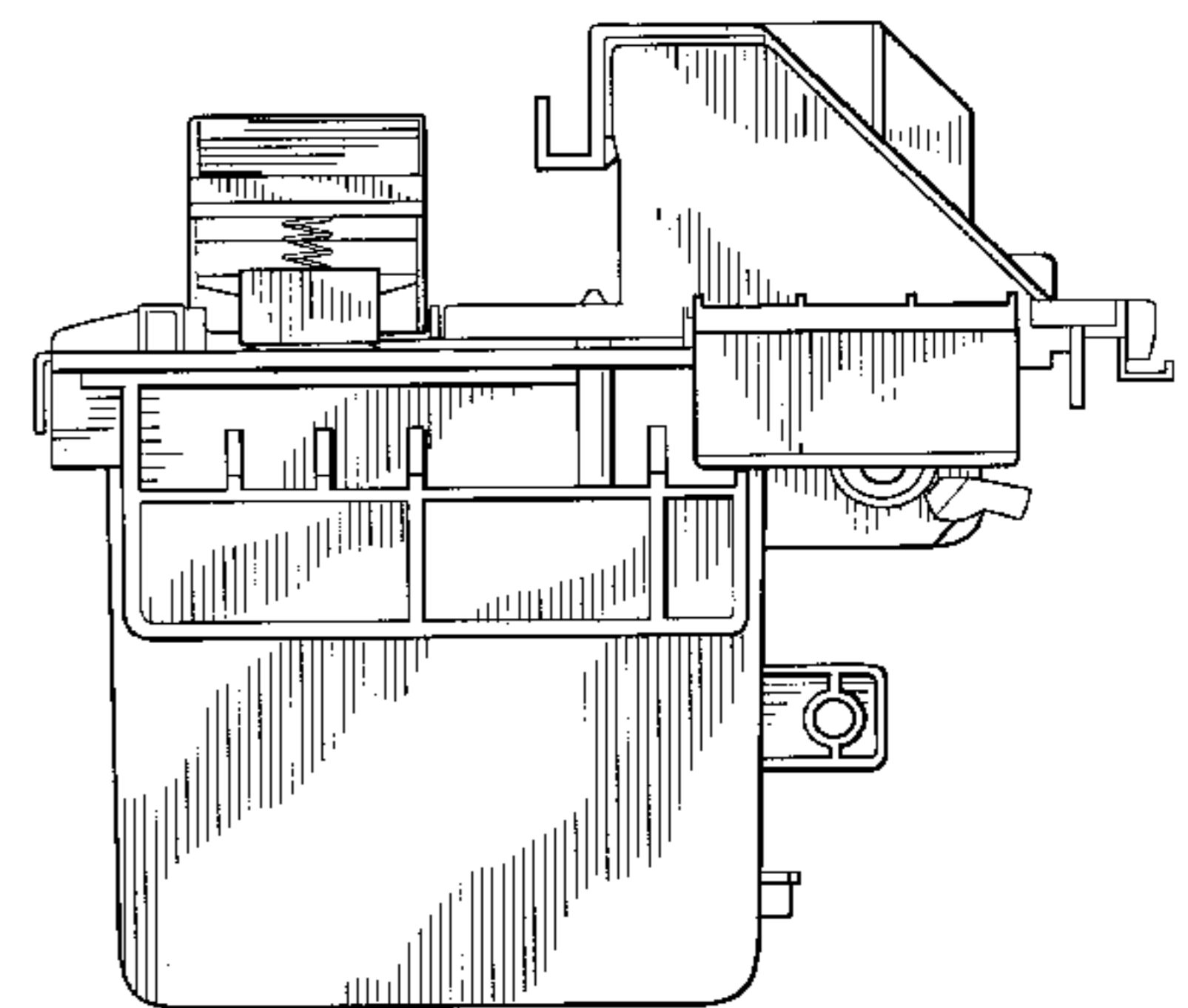
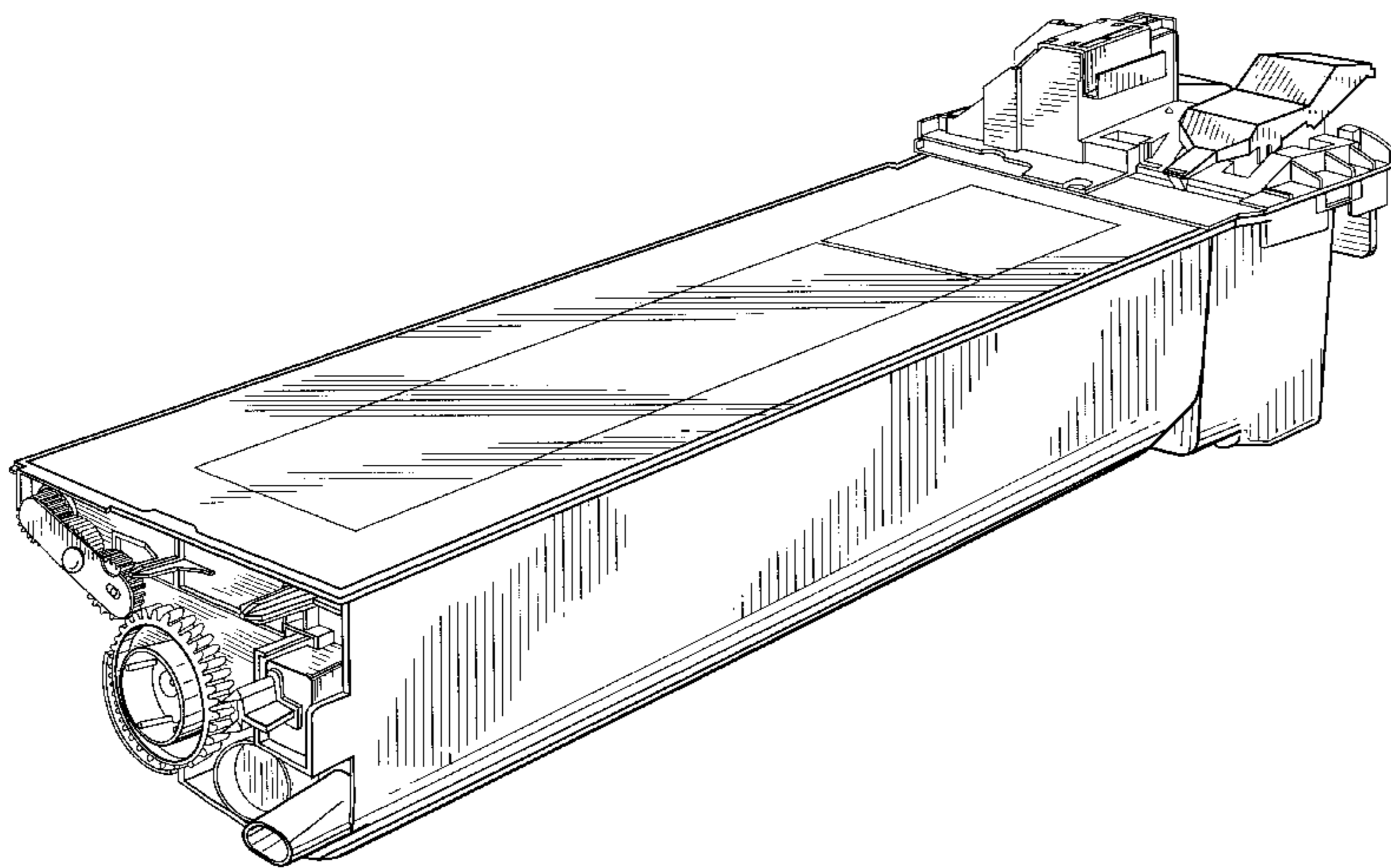
FIG. 7 is a bottom plan view thereof.

(56) **References Cited**

U.S. PATENT DOCUMENTS

D398,633 S * 9/1998 Hashizume et al. D18/40

1 Claim, 4 Drawing Sheets



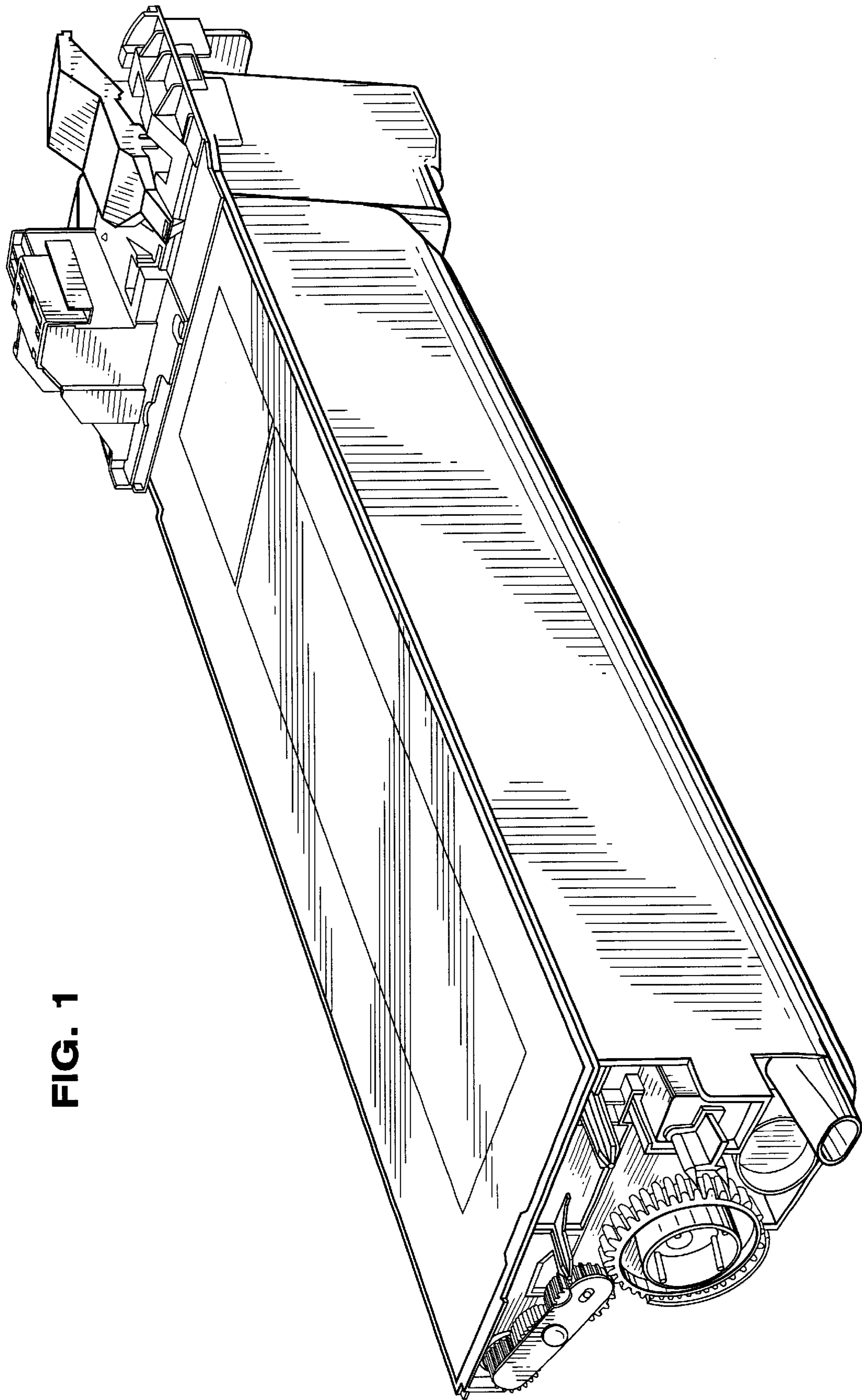


FIG. 1

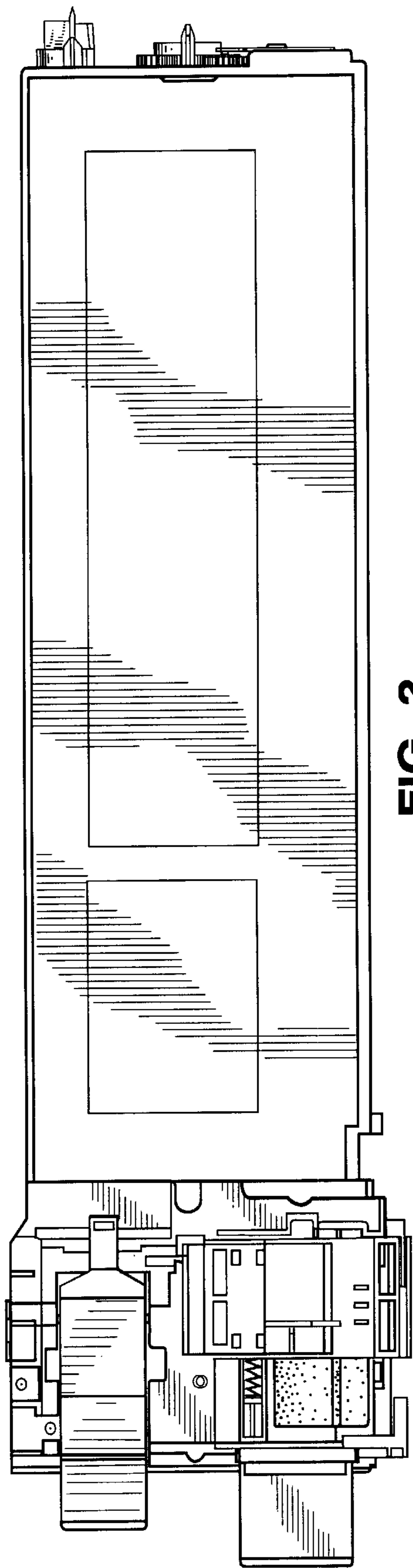


FIG. 2

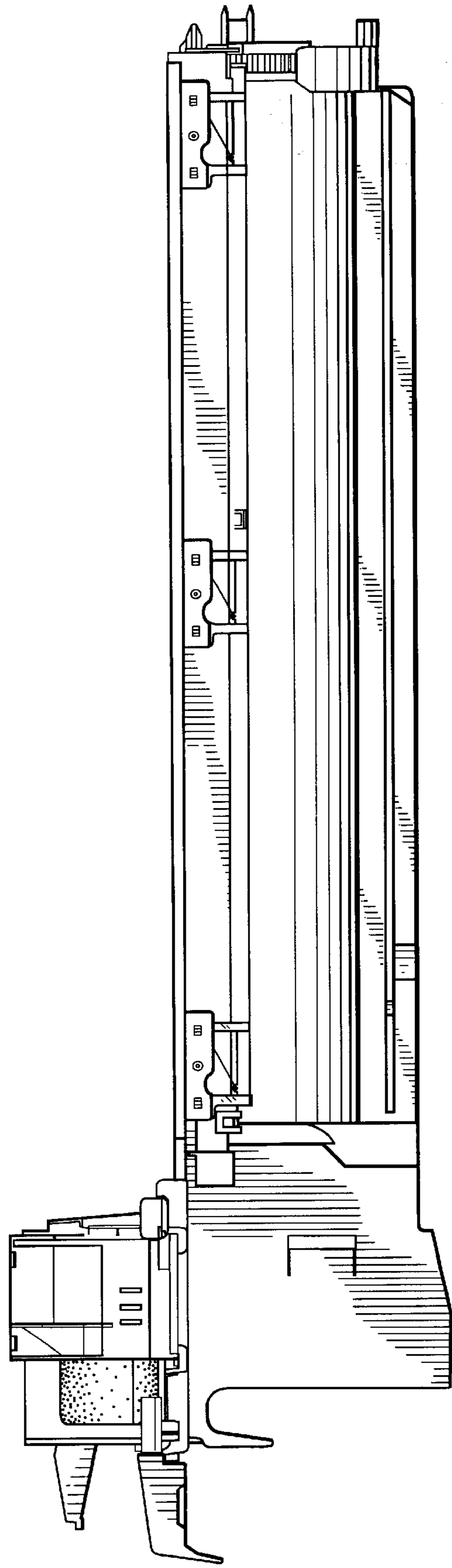


FIG. 3

FIG. 4

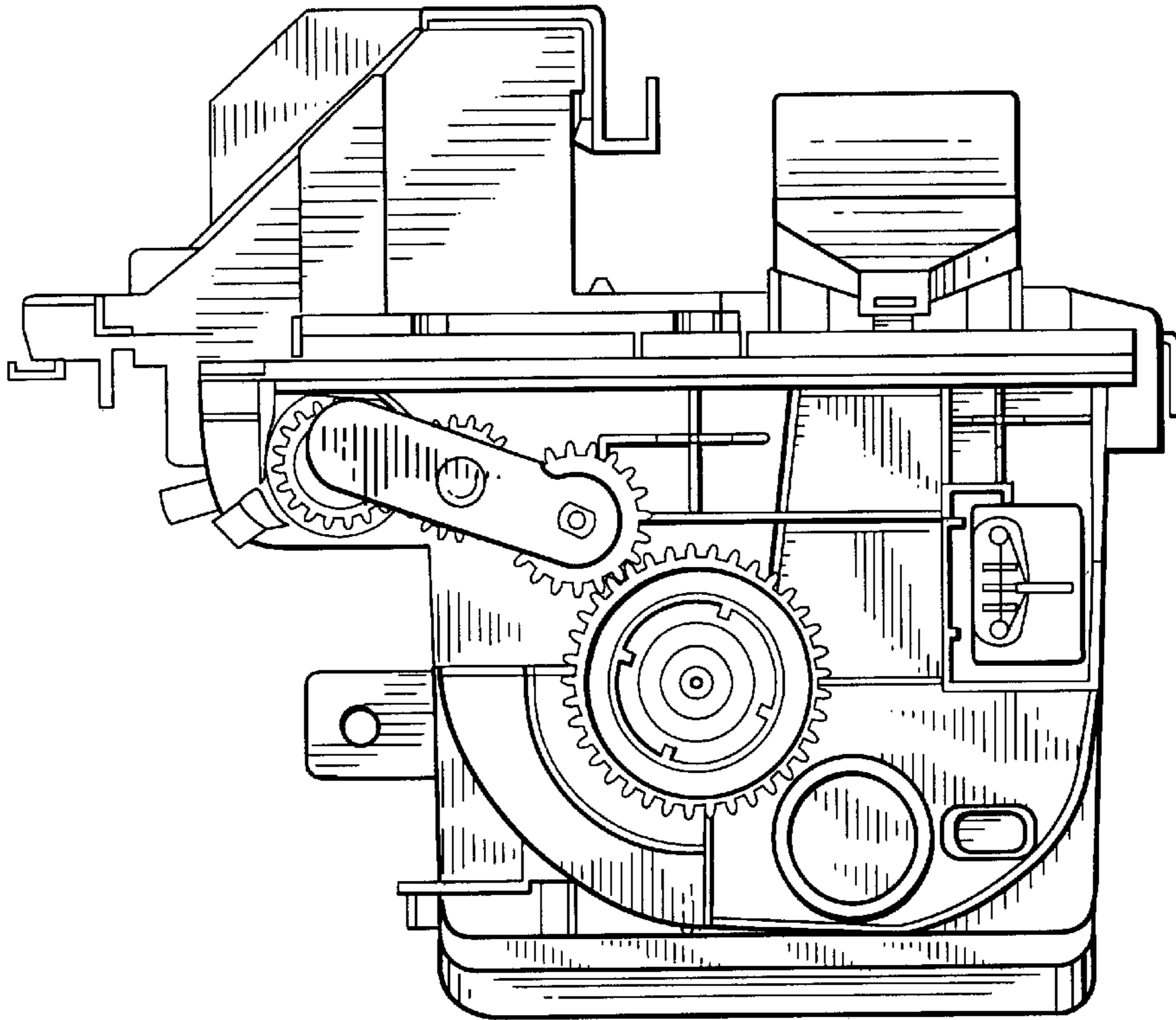
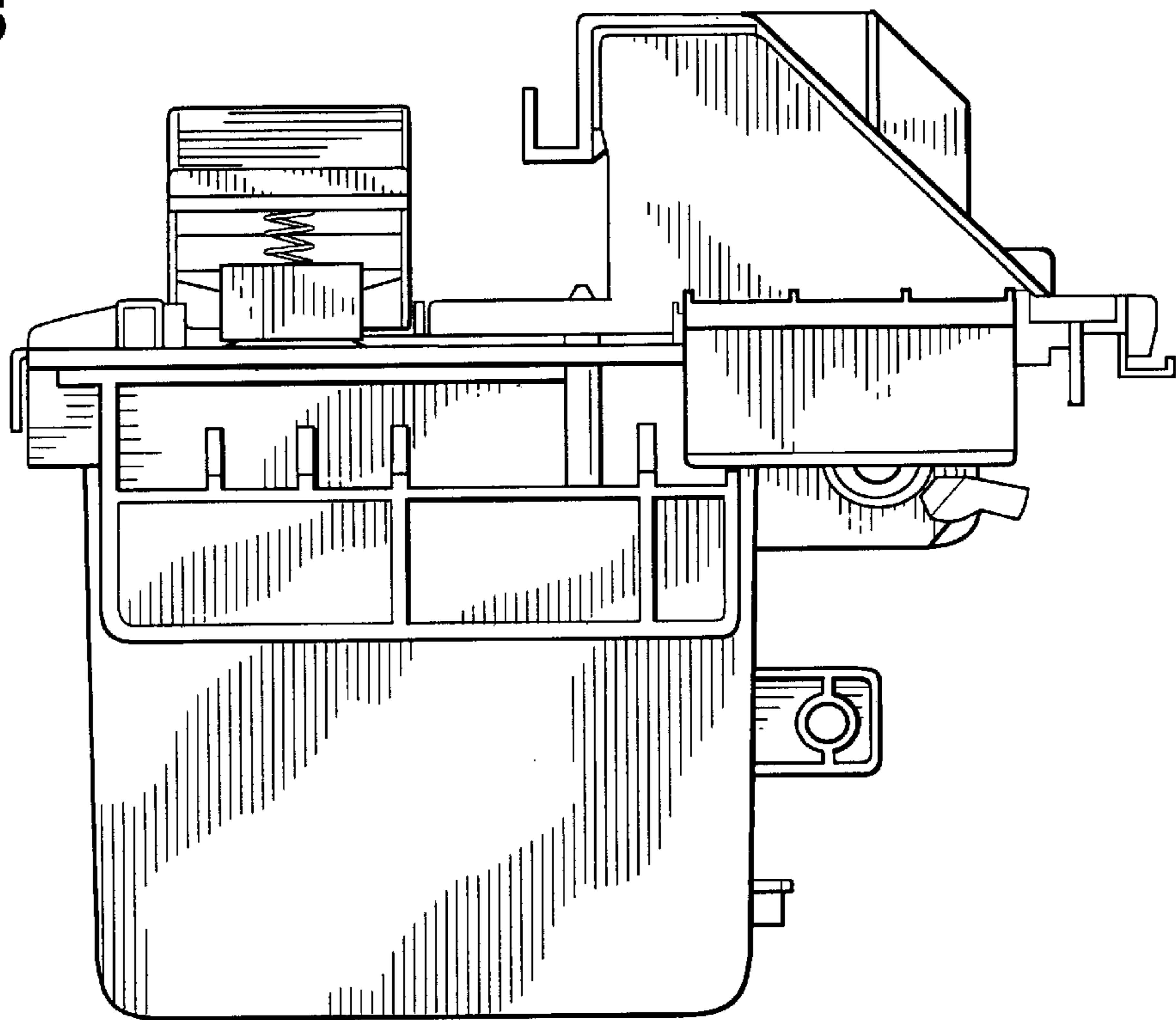


FIG. 5



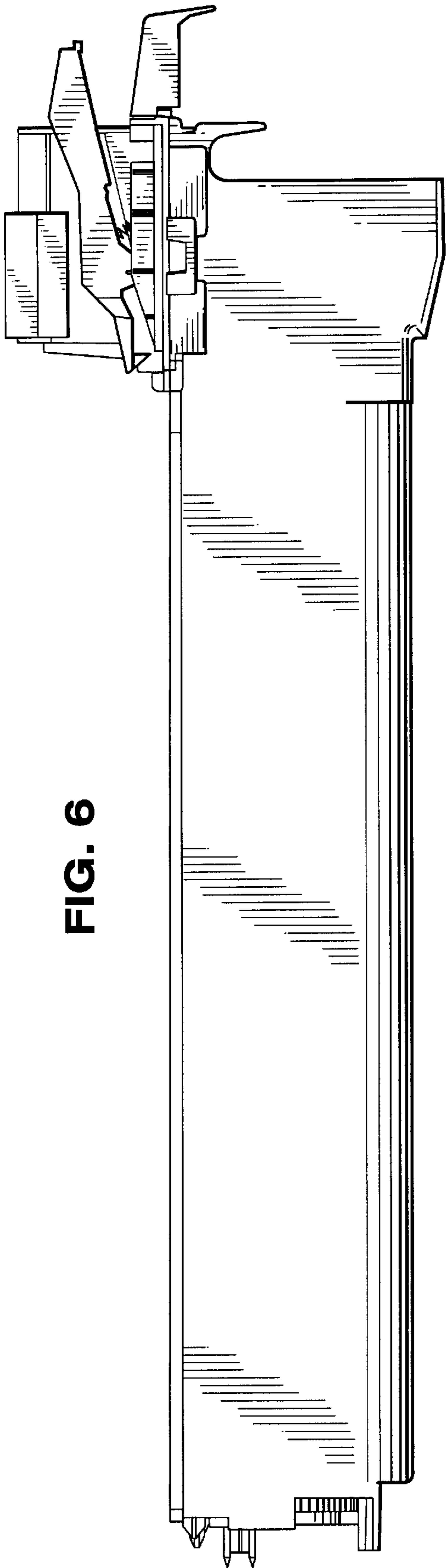


FIG. 6

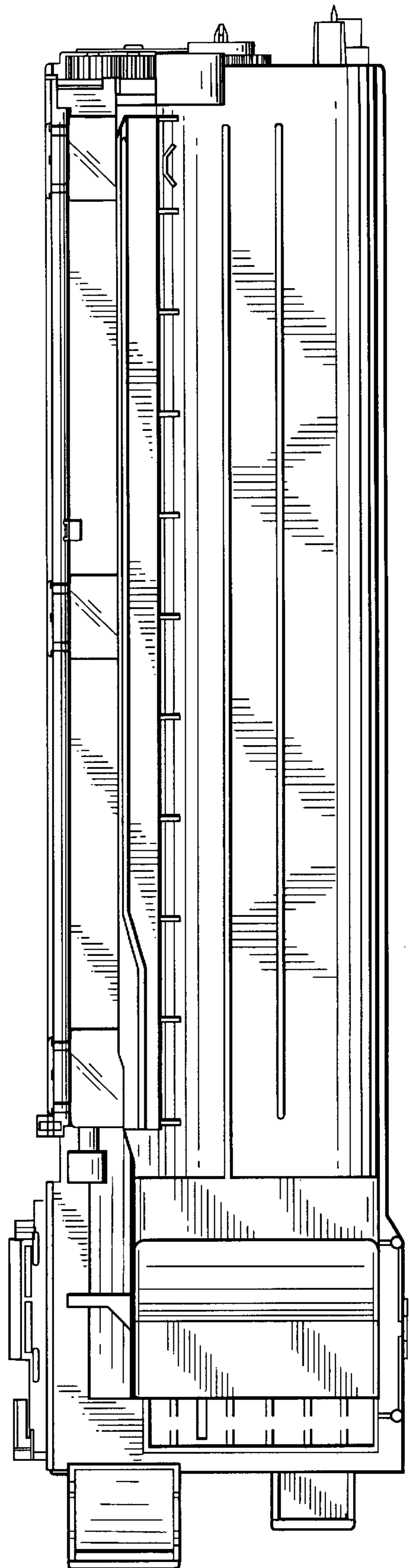


FIG. 7