



US00D462711S

(12) **United States Design Patent**
Arsala

(10) **Patent No.:** **US D462,711 S**

(45) **Date of Patent:** **** Sep. 10, 2002**

(54) **DRUM STAND**

5,520,292 A * 5/1996 Lombardi 84/421

(76) Inventor: **Faisal Arsala**, 25 River Rd., Apt. C-13,
Nutley, NJ (US) 07110

* cited by examiner

(**) Term: **14 Years**

Primary Examiner—Adir Aronovich
(74) *Attorney, Agent, or Firm*—Cozzarelli Law Firm, P.A.;
Frank Cozzarelli, Jr.

(21) Appl. No.: **29/144,346**

(57) **CLAIM**

(22) Filed: **Jun. 29, 2001**

The ornamental design for a drum stand, as shown and described.

(51) **LOC (7) Cl.** **17-04**

(52) **U.S. Cl.** **D17/22**

(58) **Field of Search** D6/462; D17/22,
D17/99; 84/411 R, 411 P, 415, 421

DESCRIPTION

(56) **References Cited**

U.S. PATENT DOCUMENTS

2,559,739 A	*	7/1951	Sherman	84/421
4,479,414 A	*	10/1984	Willis	84/421
D295,471 S	*	5/1988	Lindskog	D6/462
5,140,889 A	*	8/1992	Segan et al.	84/411 R
5,182,416 A	*	1/1993	Schweizer	84/421
D365,358 S	*	12/1995	Klein	D17/22

FIG. 1 is a front perspective view of the drum stand showing my design;
FIG. 2 is top plan view thereof;
FIG. 3 is front elevation view thereof;
FIG. 4 is right side elevation view thereof;
FIG. 5 is left side elevation view thereof; and,
FIG. 6 is bottom view thereof.
The broken lines shown in FIG. 1 are to illustrate environment only and form no part of the claimed design.

1 Claim, 3 Drawing Sheets

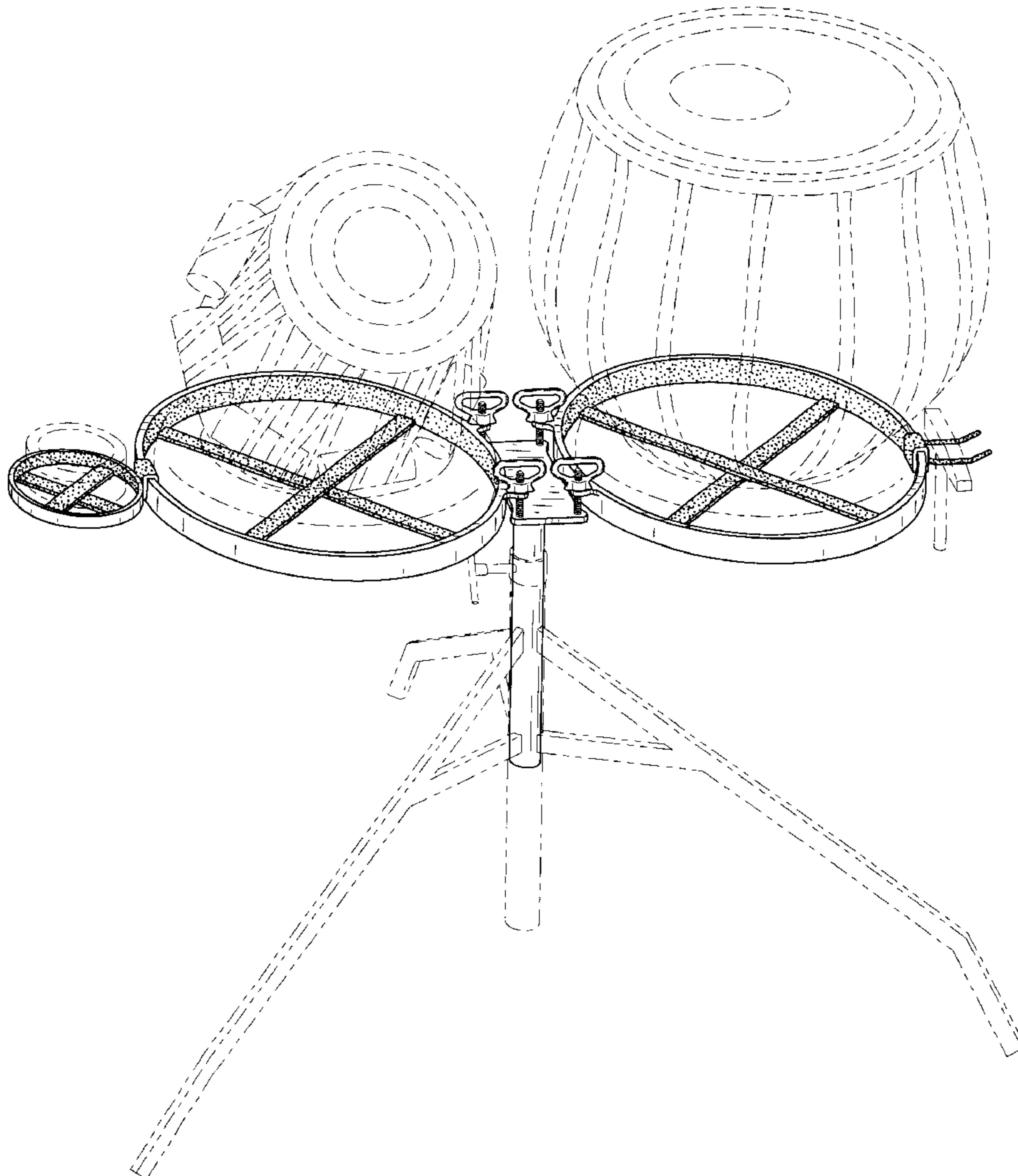


FIG. 1

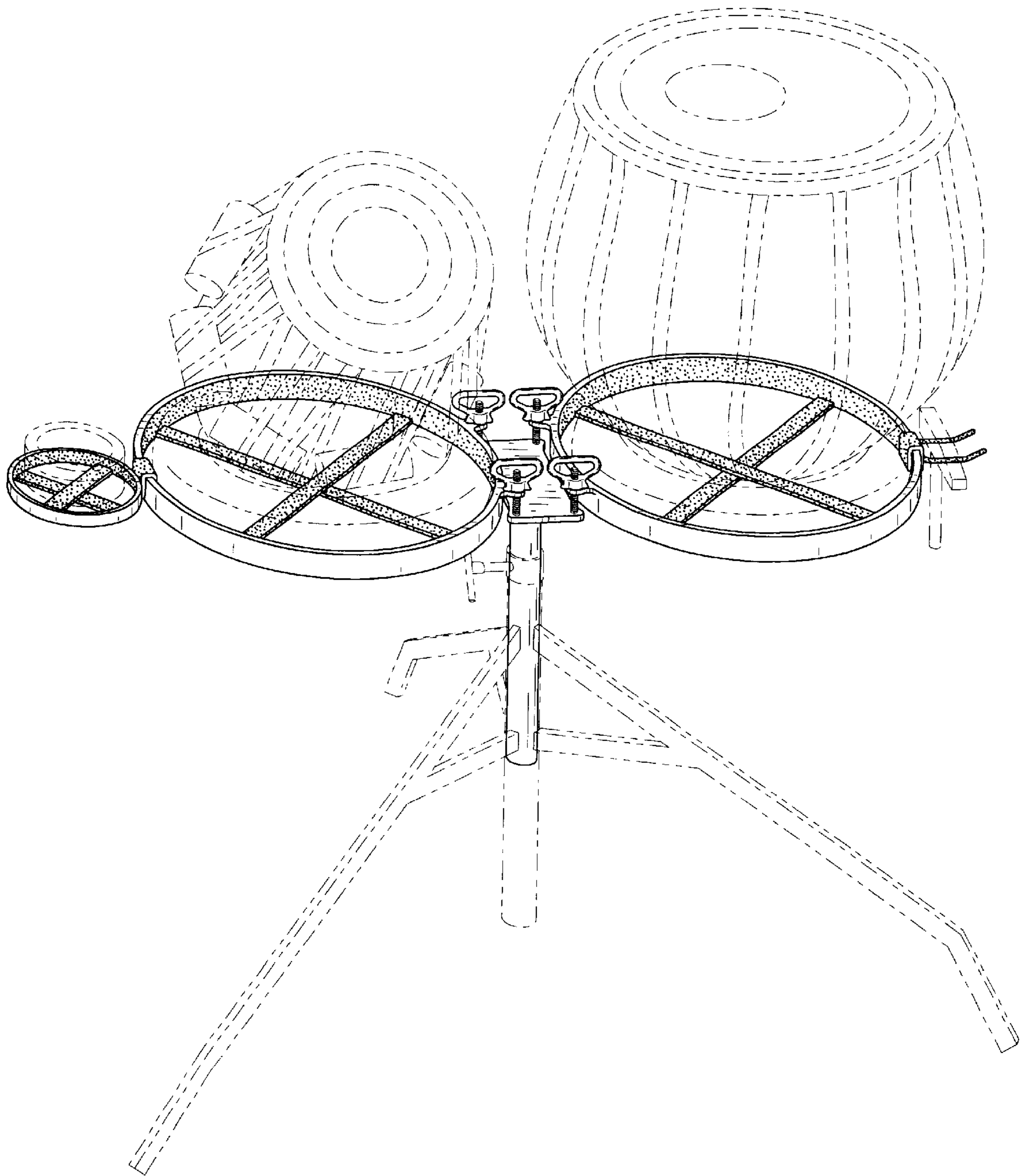


FIG. 2

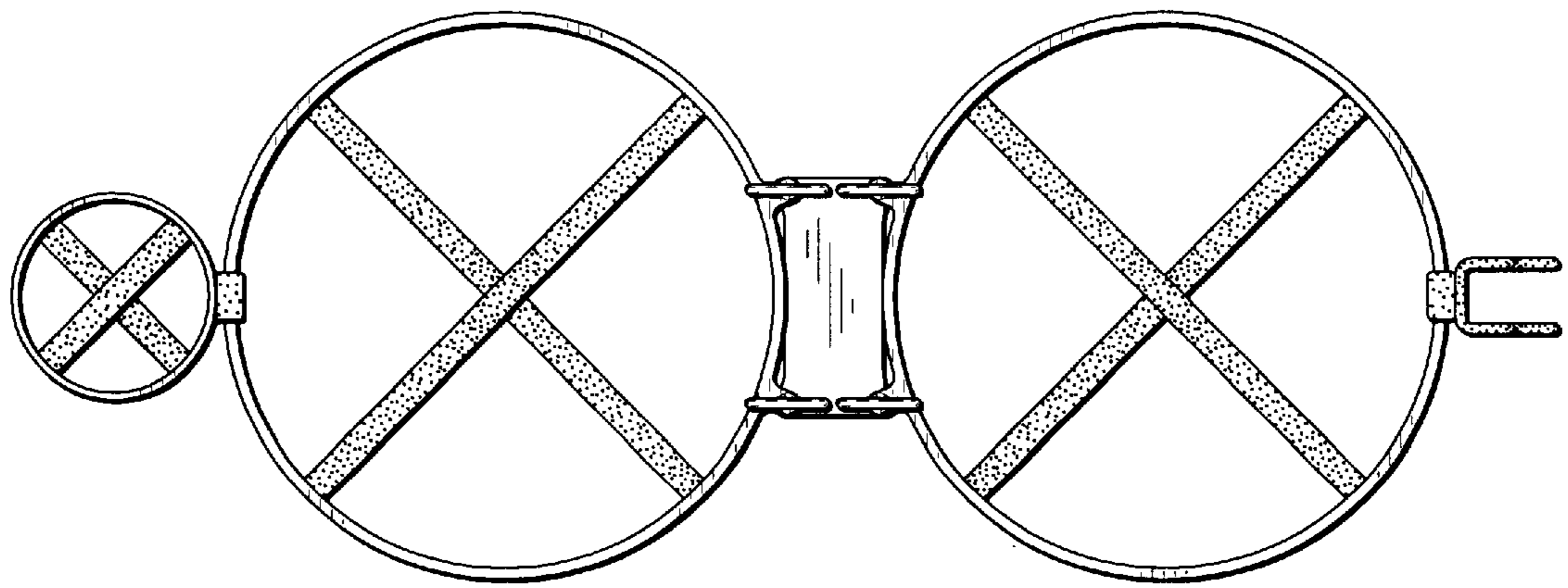


FIG. 3

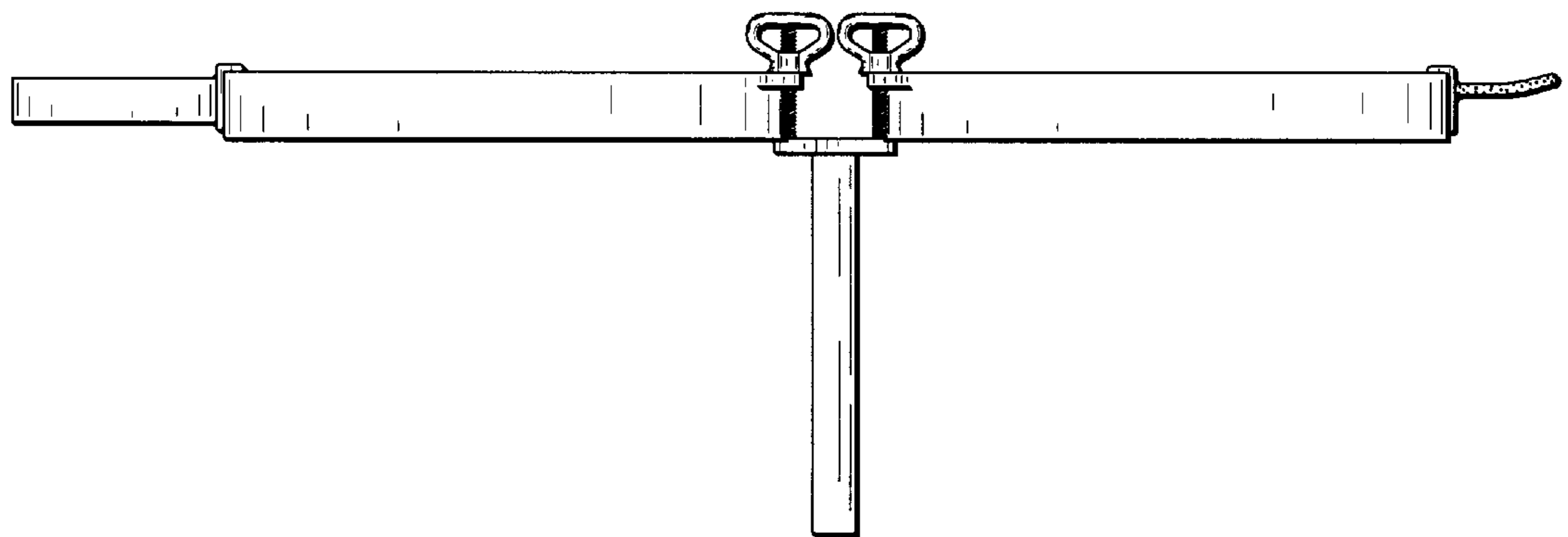


FIG. 4

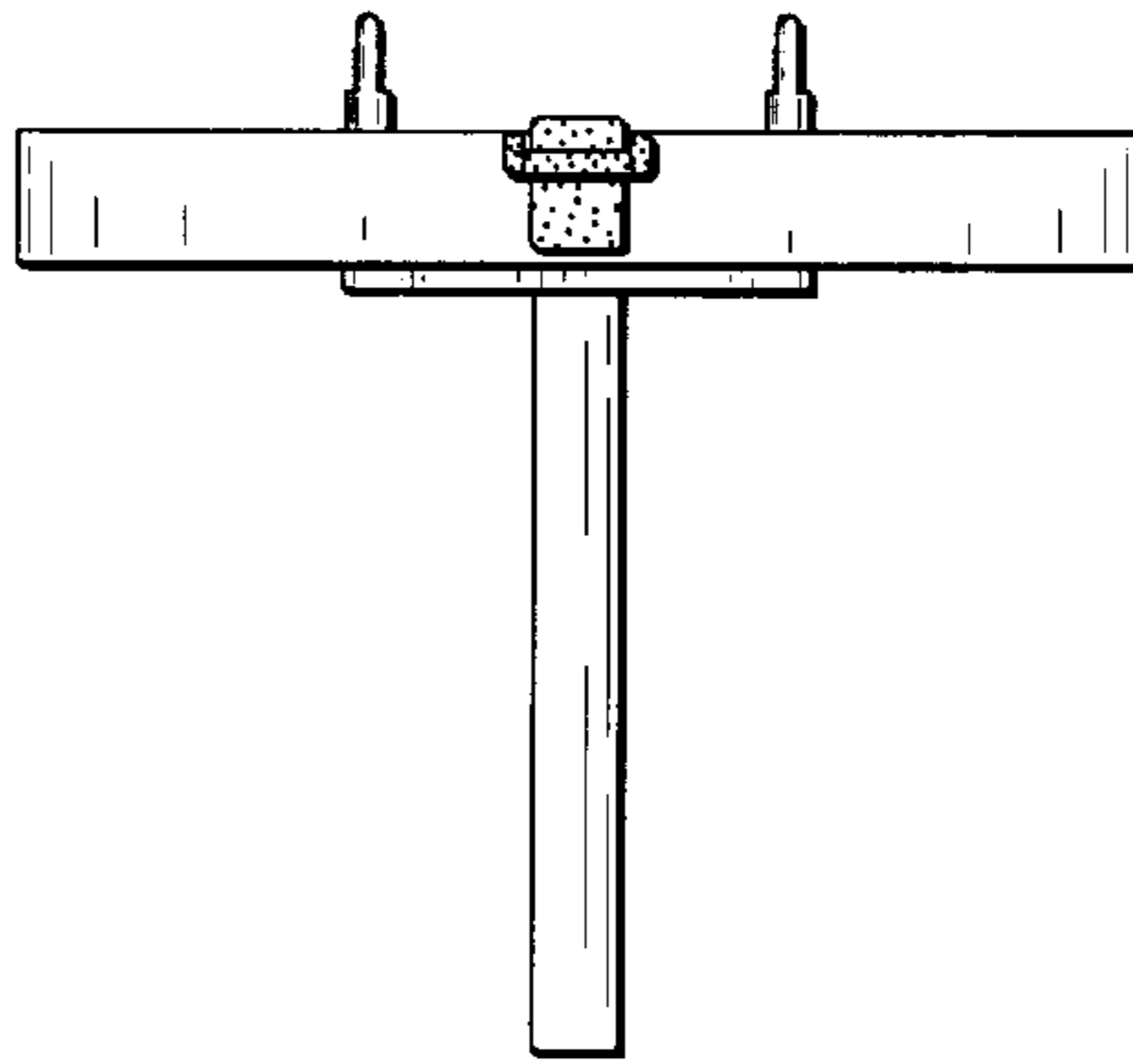


FIG. 5

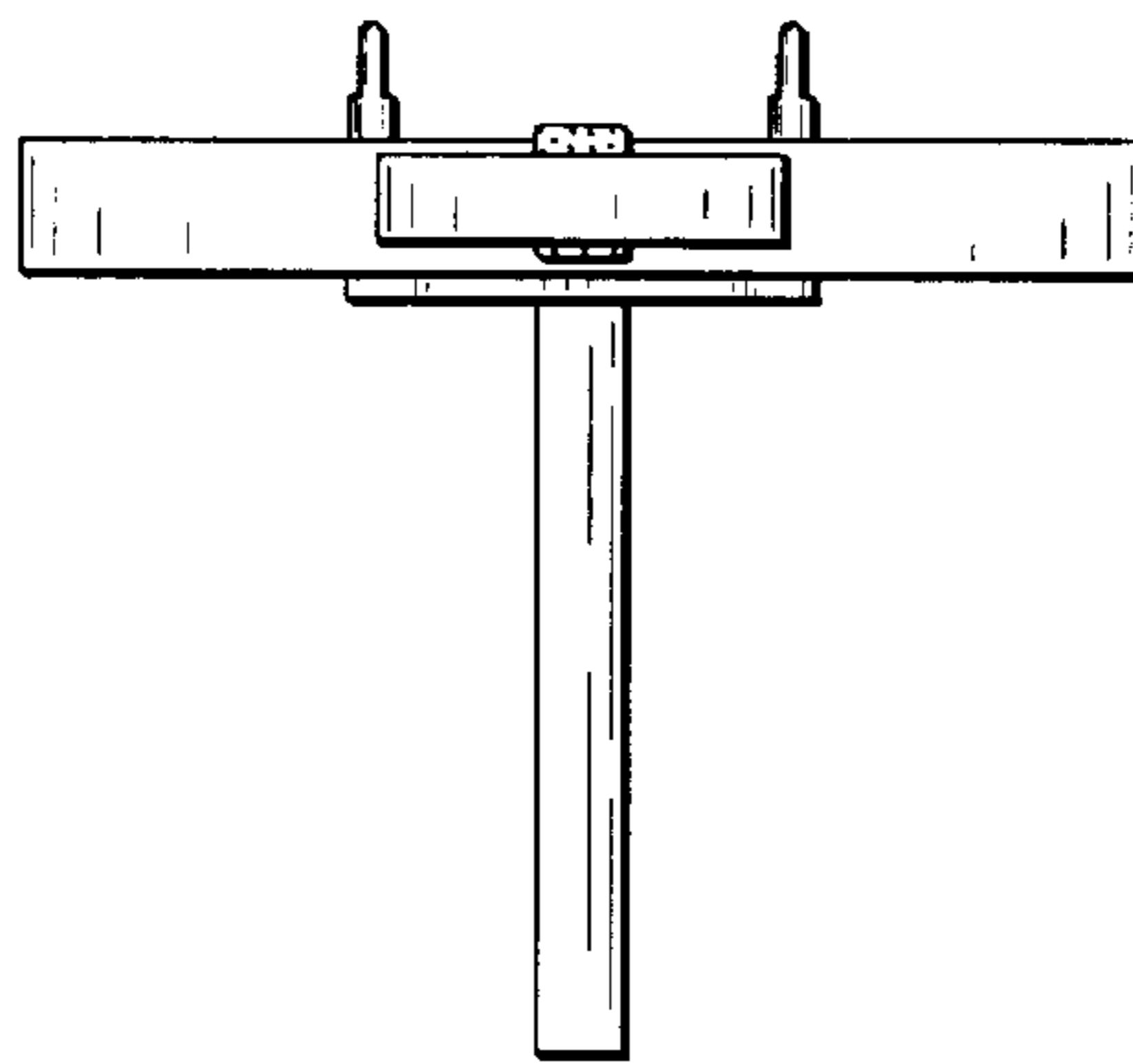


FIG. 6

