



US00D462709S

(12) **United States Design Patent**
Rosso et al.

(10) **Patent No.: US D462,709 S**

(45) **Date of Patent: ** *Sep. 10, 2002**

(54) **EYEGLASS RETAINER**

D432,556 S * 10/2000 Lando D16/303
D437,609 S * 2/2001 Riley D16/339

(76) Inventors: **Jack Rosso**, 11 Alonda, Foothill Ranch,
CA (US) 92610; **Thomas Nogradi**, 222
S. Carson Rd., Beverly Hills, CA (US)
90211

OTHER PUBLICATIONS

Frames Catalog—Harley Davidson Eyewear, P 25, Jun. 18,
1996.*

(*) Notice: This patent is subject to a terminal dis-
claimer.

* cited by examiner

(**) Term: **14 Years**

Primary Examiner—Raphael Barkai
(74) *Attorney, Agent, or Firm*—Brown Raysman Millstein
Felder & Steiner LLP

(21) Appl. No.: **29/138,344**

(57) **CLAIM**

(22) Filed: **Mar. 9, 2001**

The ornamental design for an eyeglass retainer, as shown
and described.

(51) **LOC (7) Cl.** **16-06**

DESCRIPTION

(52) **U.S. Cl.** **D16/339**

(58) **Field of Search** D16/300, 303,
D16/306, 310–311, 313–314, 319–330,
339, 340; D29/109, 110; 2/236, 247, 248,
249, 253; 351/41, 44, 51, 52, 111, 156–158

FIG. 1 is a perspective view showing an eyeglass retainer in
accordance with our new design;
FIG. 2 is a front view thereof, the rear view being the same;
FIG. 3 is a top view thereof;
FIG. 4 is an end view thereof;
FIG. 5 is a bottom view thereof;
FIG. 6 is a cross-sectional view along line 6—6 of FIG. 5;
and,
FIG. 7 is a front view with end beads shown in phantom.
The elements shown in phantom are not part of the inven-
tion.

(56) **References Cited**

U.S. PATENT DOCUMENTS

4,955,710 A * 9/1990 Meistrell 351/156
D327,697 S * 7/1992 Vines D16/339
D328,908 S * 8/1992 Kalbach D16/339
D368,272 S * 3/1996 Starr et al. D16/339
D371,154 S * 6/1996 Kalbach D16/339
5,805,262 A * 9/1998 Deveney 351/157

1 Claim, 3 Drawing Sheets

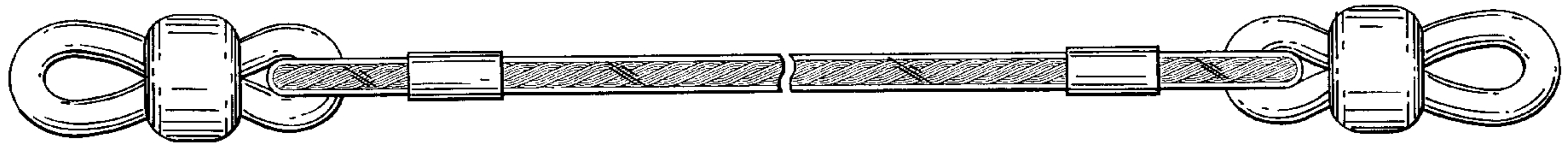




FIG. 1

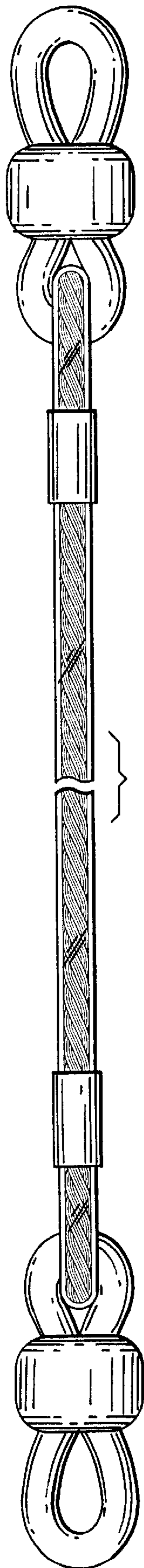


FIG. 2

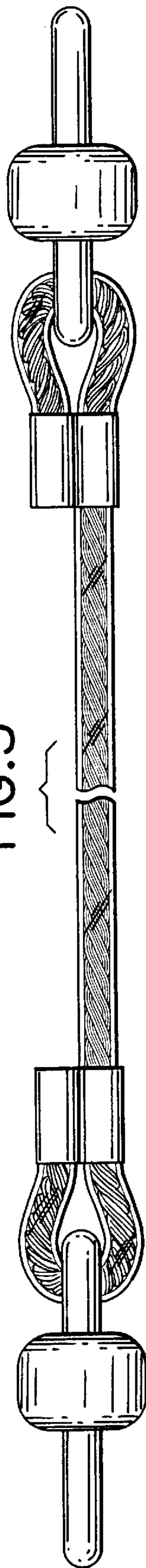


FIG. 3

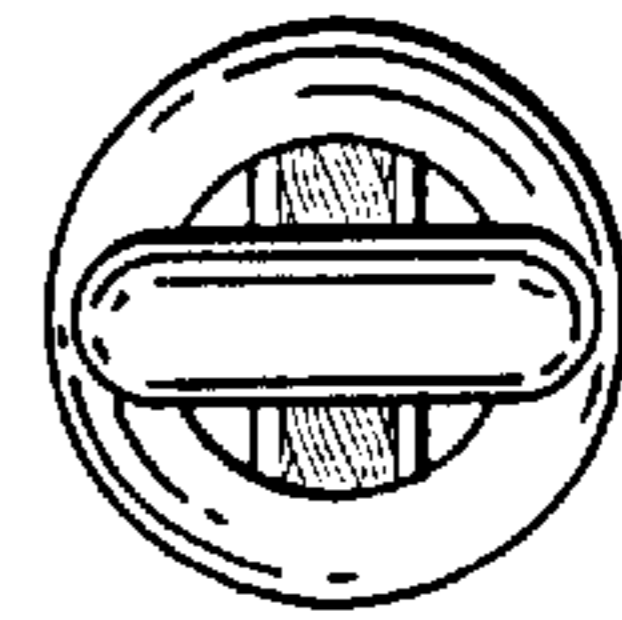


FIG. 4

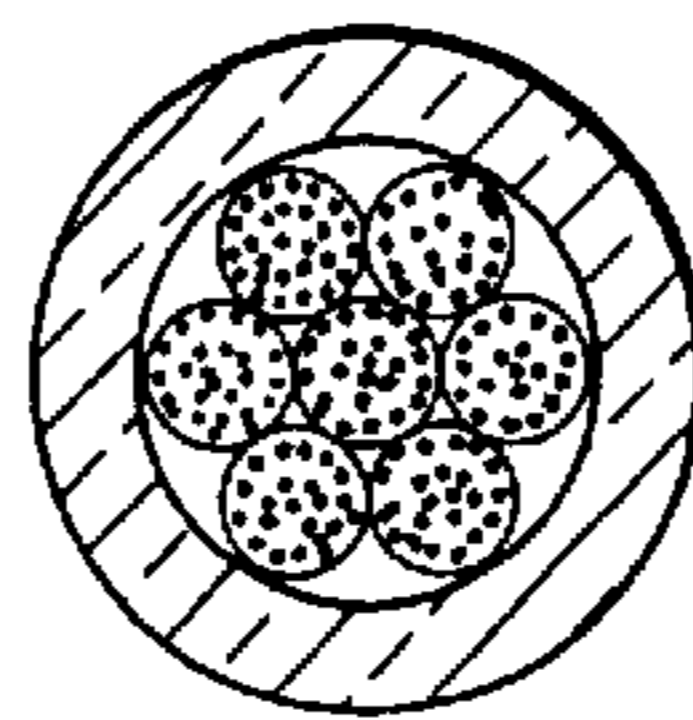
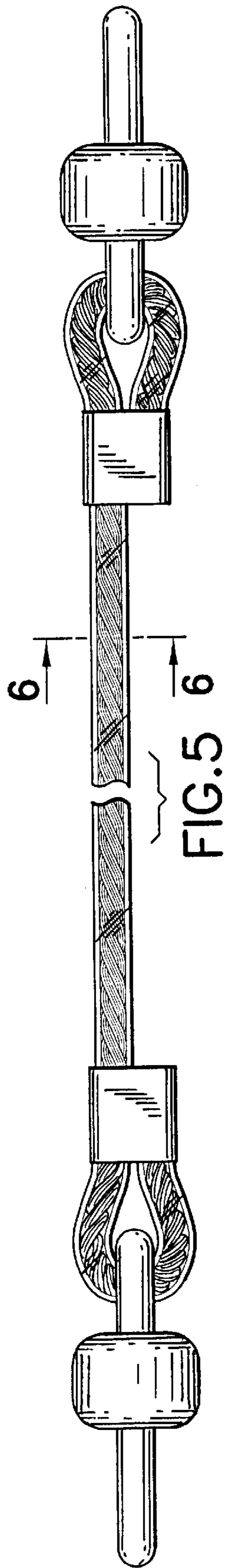


FIG. 6

