



US00D462706S

(12) **United States Design Patent**
Hamamura

(10) **Patent No.:** **US D462,706 S**

(45) **Date of Patent:** **** Sep. 10, 2002**

(54) **DIGITAL CAMERA**

D447,161 S * 8/2001 Alvarez et al. D16/202

(75) Inventor: **Toshihiro Hamamura**, Tokyo (JP)

OTHER PUBLICATIONS

(73) Assignee: **Asahi Kogaku Kogyo Kabushiki Kaisha**, Tokyo (JP)

Global Sources webpage, Sep. 2001 (Dimera 350 C digital camera).*

(**) Term: **14 Years**

* cited by examiner

(21) Appl. No.: **29/150,219**

Primary Examiner—Adir Aronovich
(74) *Attorney, Agent, or Firm*—Sughrue Mion, PLLC

(22) Filed: **Nov. 14, 2001**

(57) **CLAIM**

(30) **Foreign Application Priority Data**

The ornamental design for a digital camera, as shown and described.

May 21, 2001 (JP) 2001-014449

(51) **LOC (7) Cl.** **16-01**

DESCRIPTION

(52) **U.S. Cl.** **D16/202; D16/218**

FIG. 1 is a perspective view of the top, front and left side of a digital camera showing my new design;
FIG. 2 is a front elevational view thereof;
FIG. 3 is a top plan view thereof;
FIG. 4 is a left side elevational view thereof;
FIG. 5 is a right side elevational view thereof;
FIG. 6 is a rear elevational view thereof;
FIG. 7 is a bottom plan view thereof; and,
FIG. 8 is a perspective view similar to FIG. 1 with the lens extended.

(58) **Field of Search** D16/200–206,
D16/208, 209, 218; 348/373–376; 358/906,
909.1; 396/60, 535–541

(56) **References Cited**

U.S. PATENT DOCUMENTS

- 4,924,248 A * 5/1990 Taniguchi et al. 396/60
- D415,508 S * 10/1999 Shinano D16/202
- D418,851 S * 1/2000 Goto et al. D16/202
- D423,031 S * 4/2000 Shinohara et al. D16/202
- D431,583 S * 10/2000 Matsuda D16/202

1 Claim, 4 Drawing Sheets

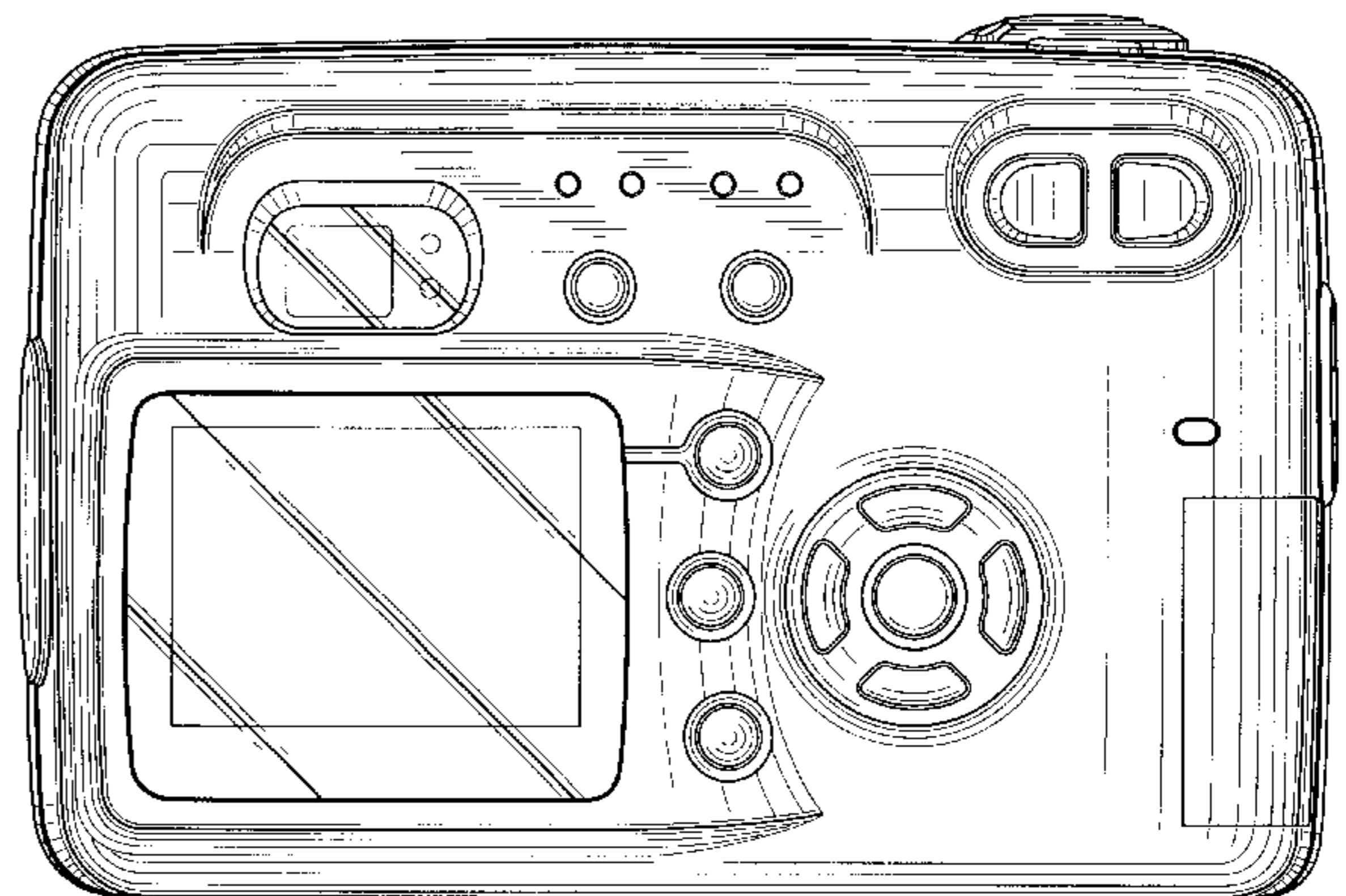
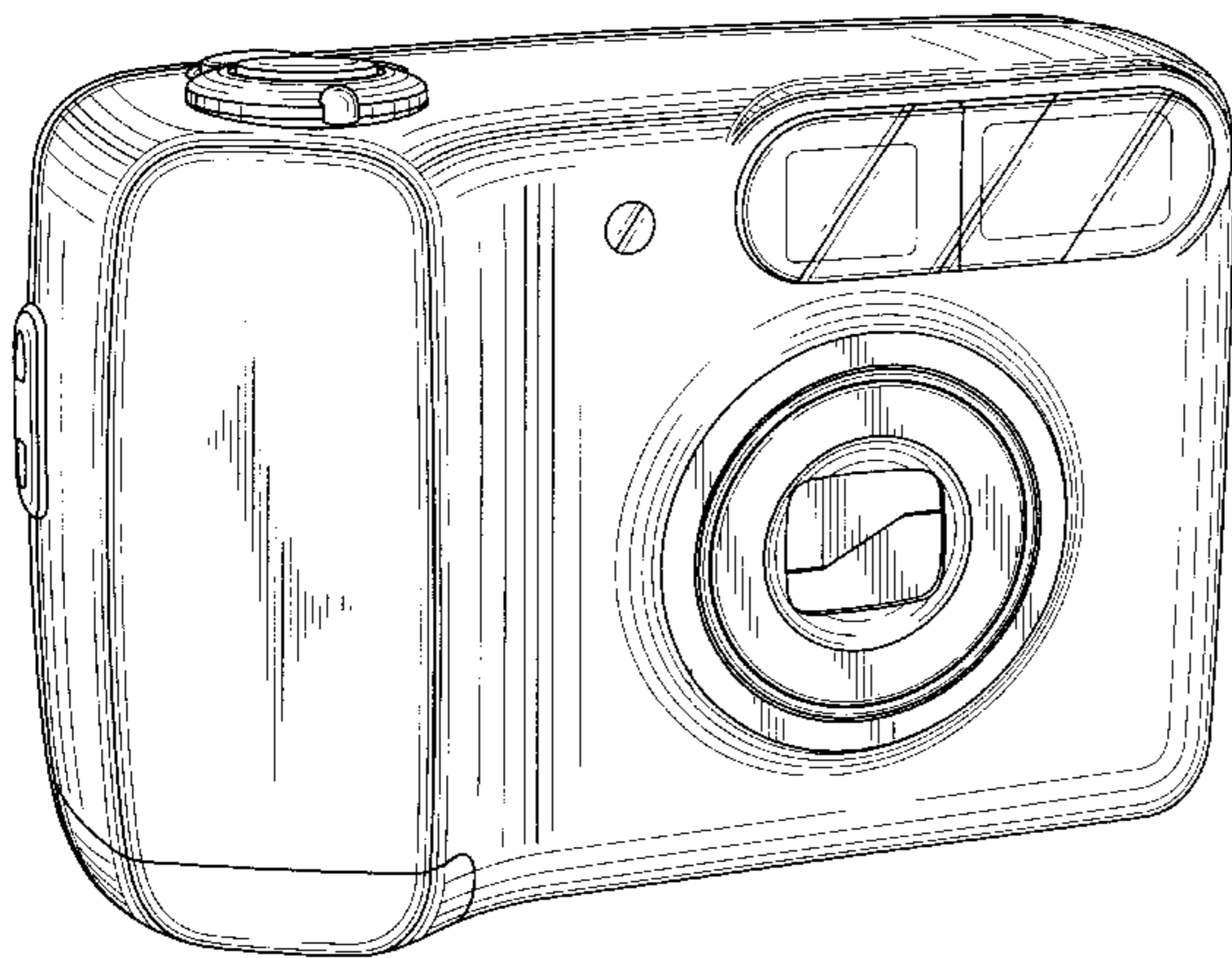


FIG. 1

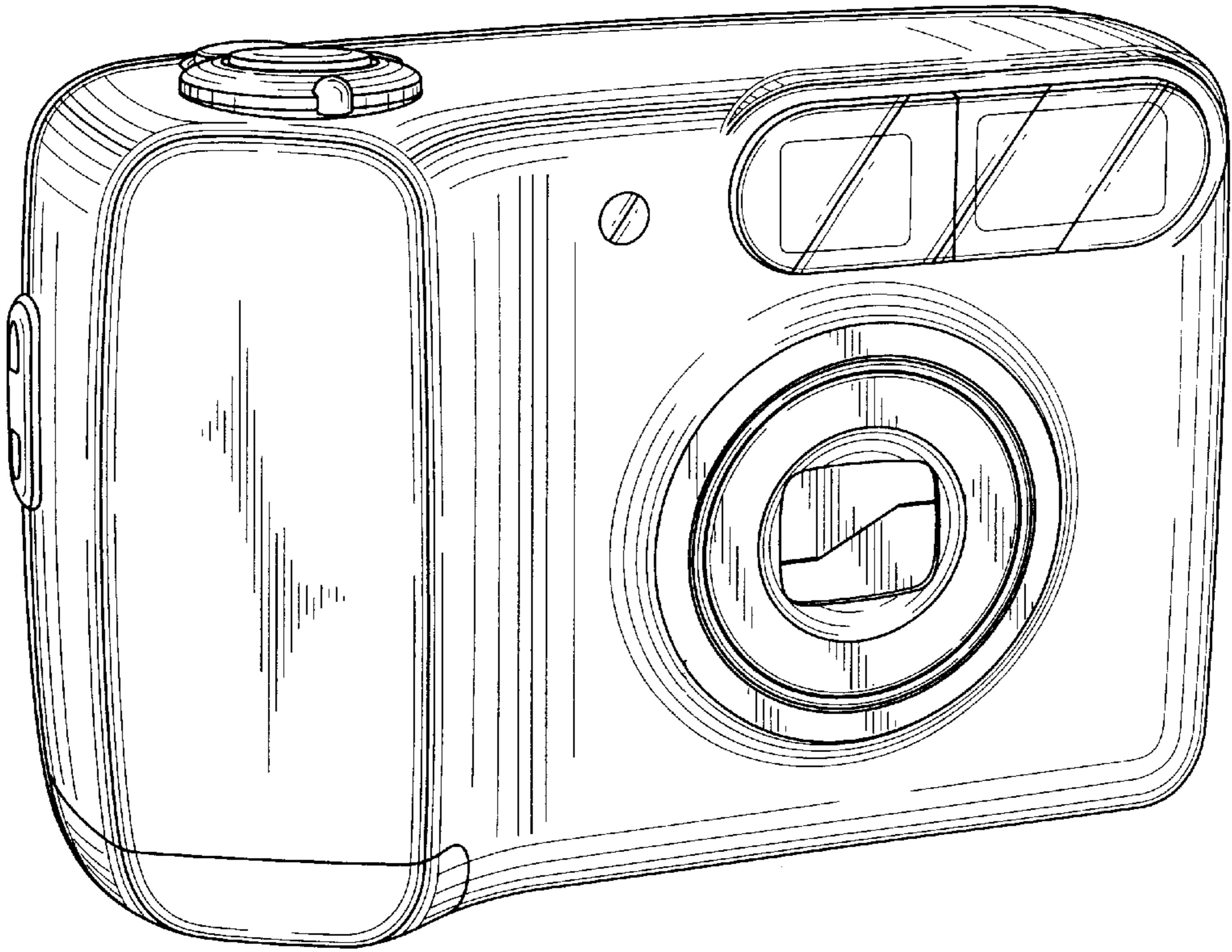


FIG. 2

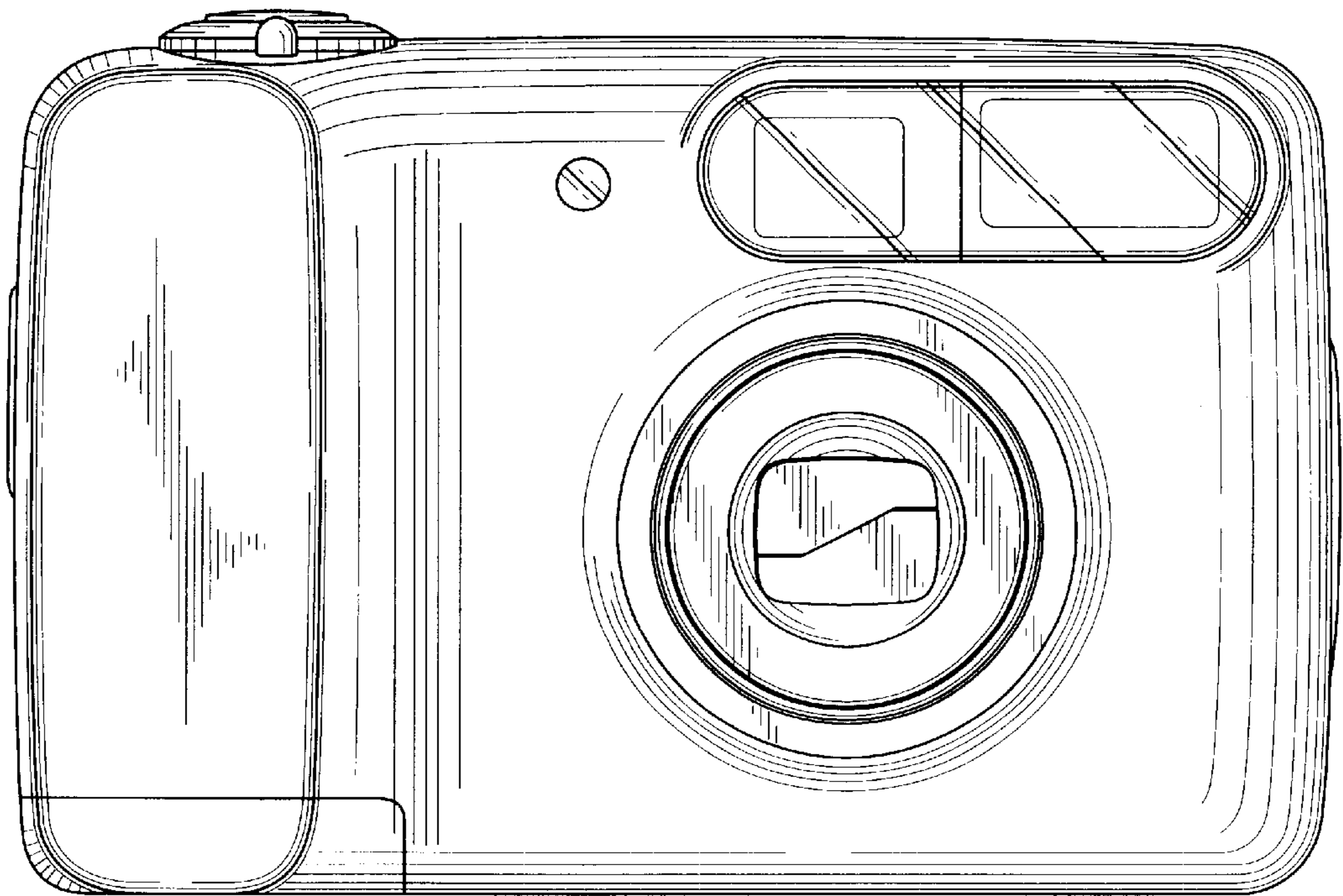


FIG. 3

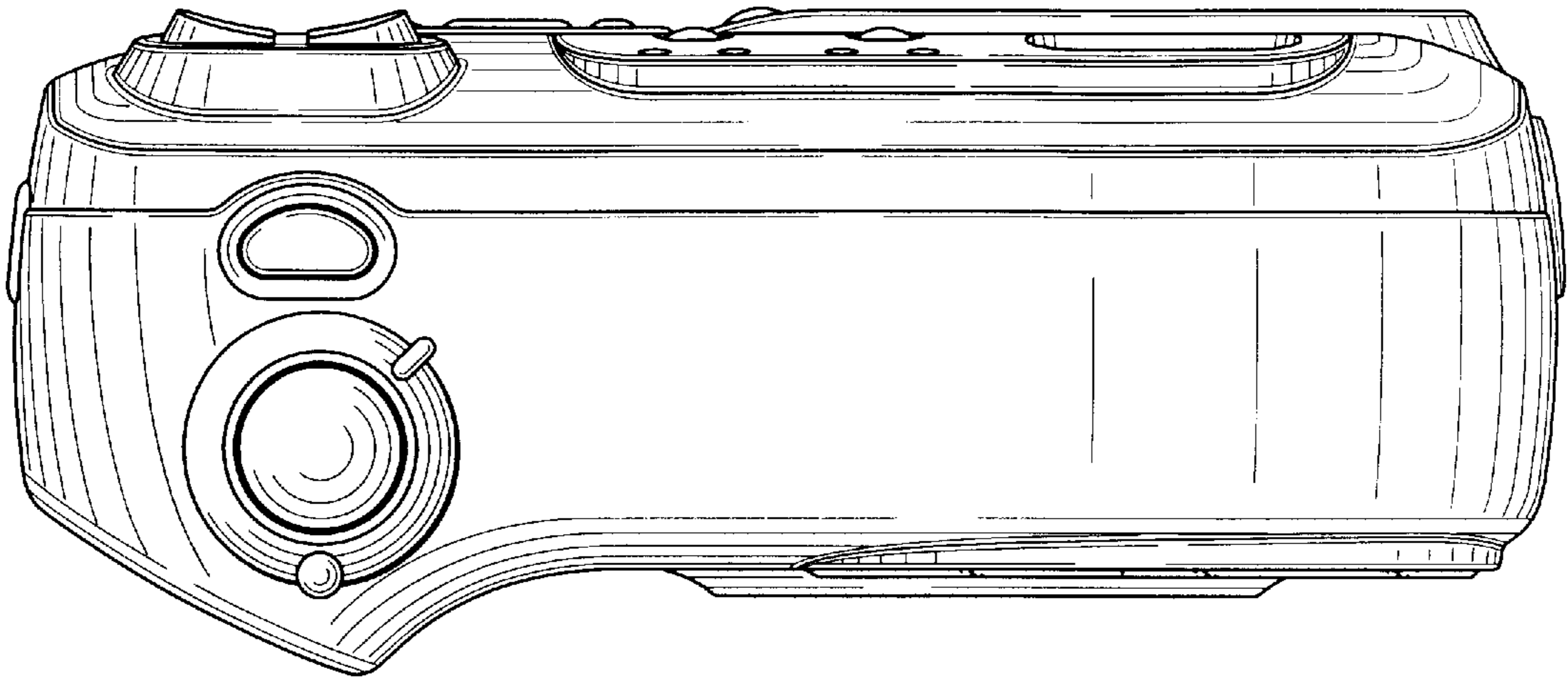


FIG. 4

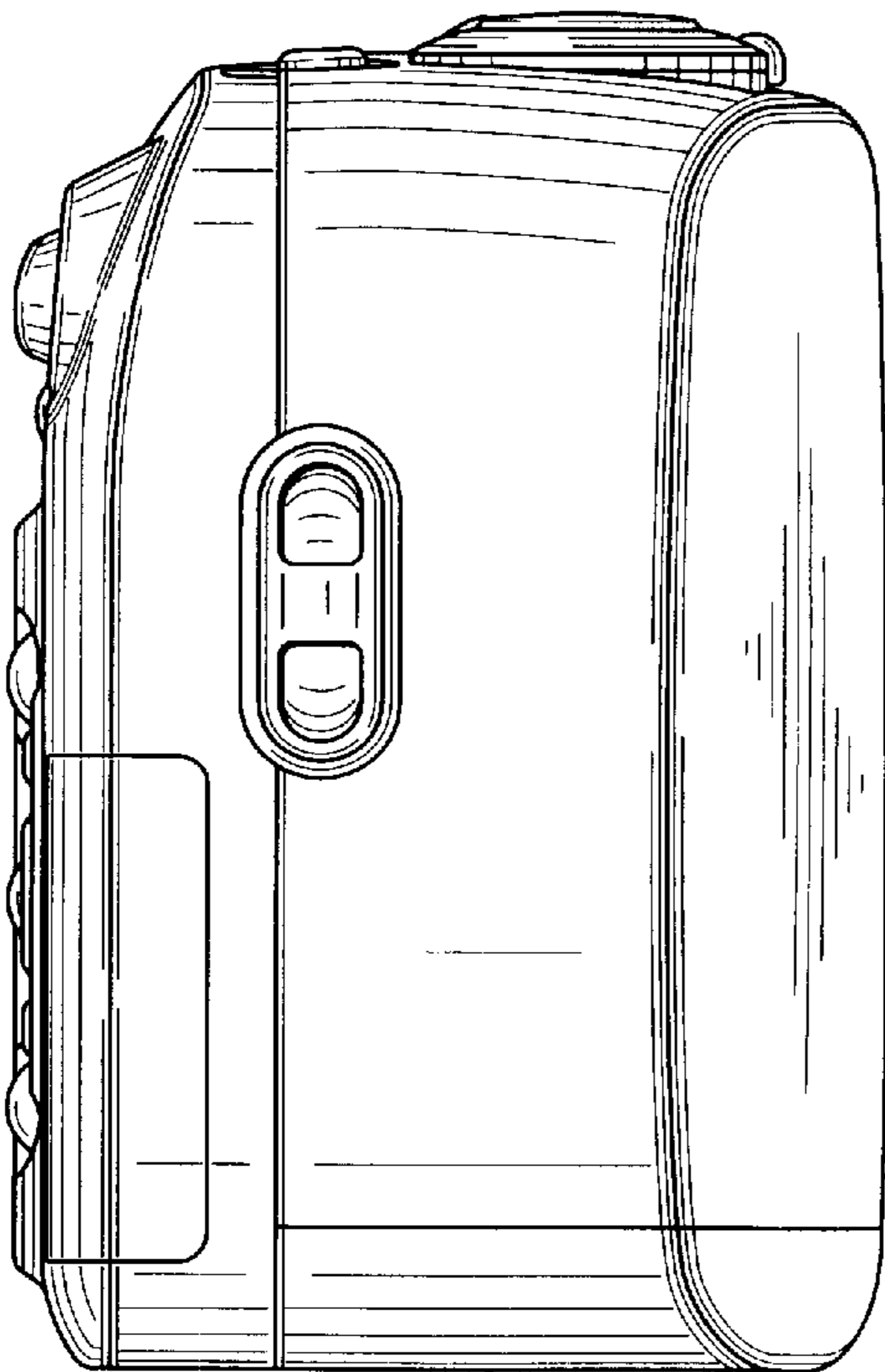


FIG. 5

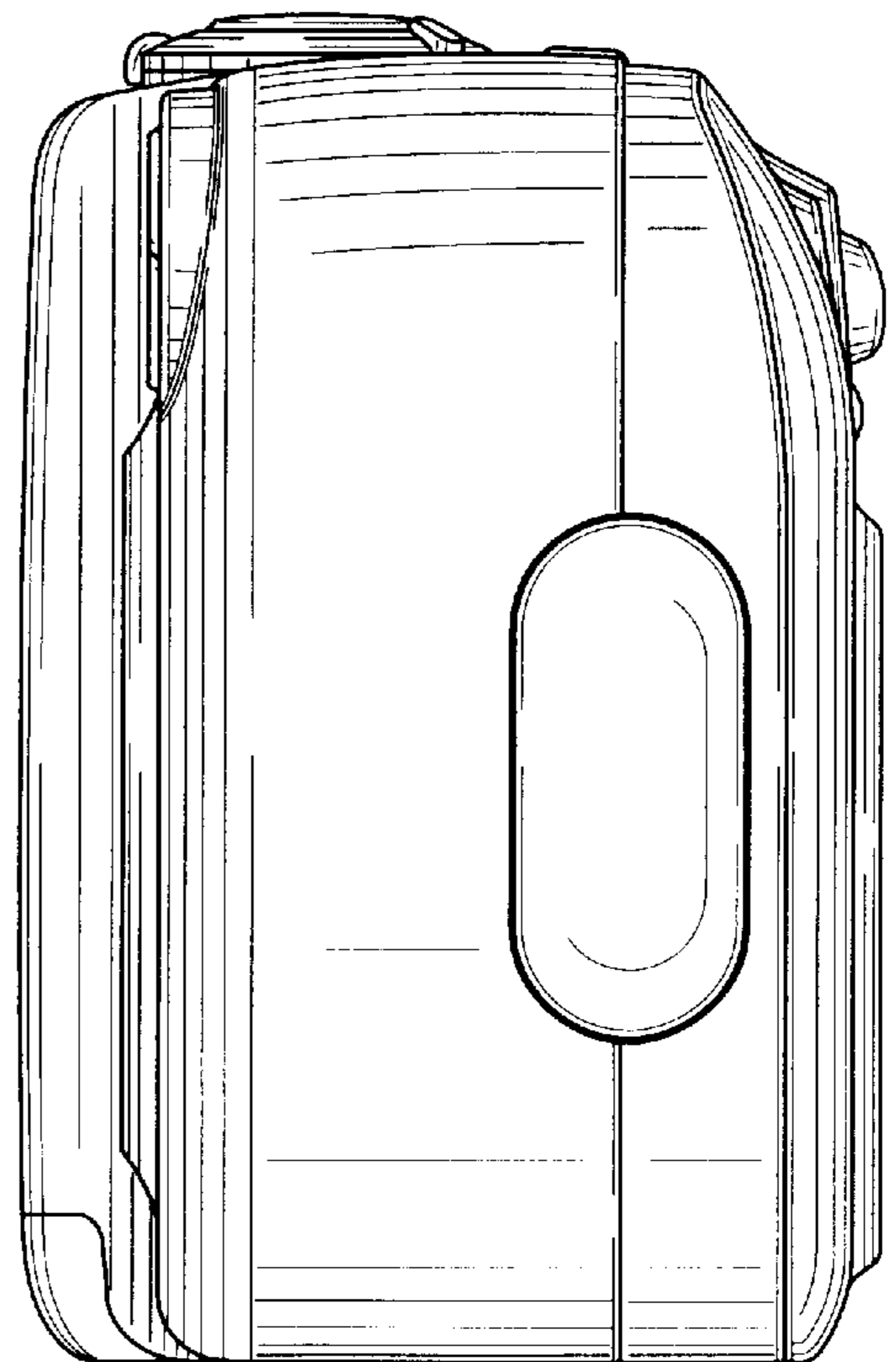


FIG. 6

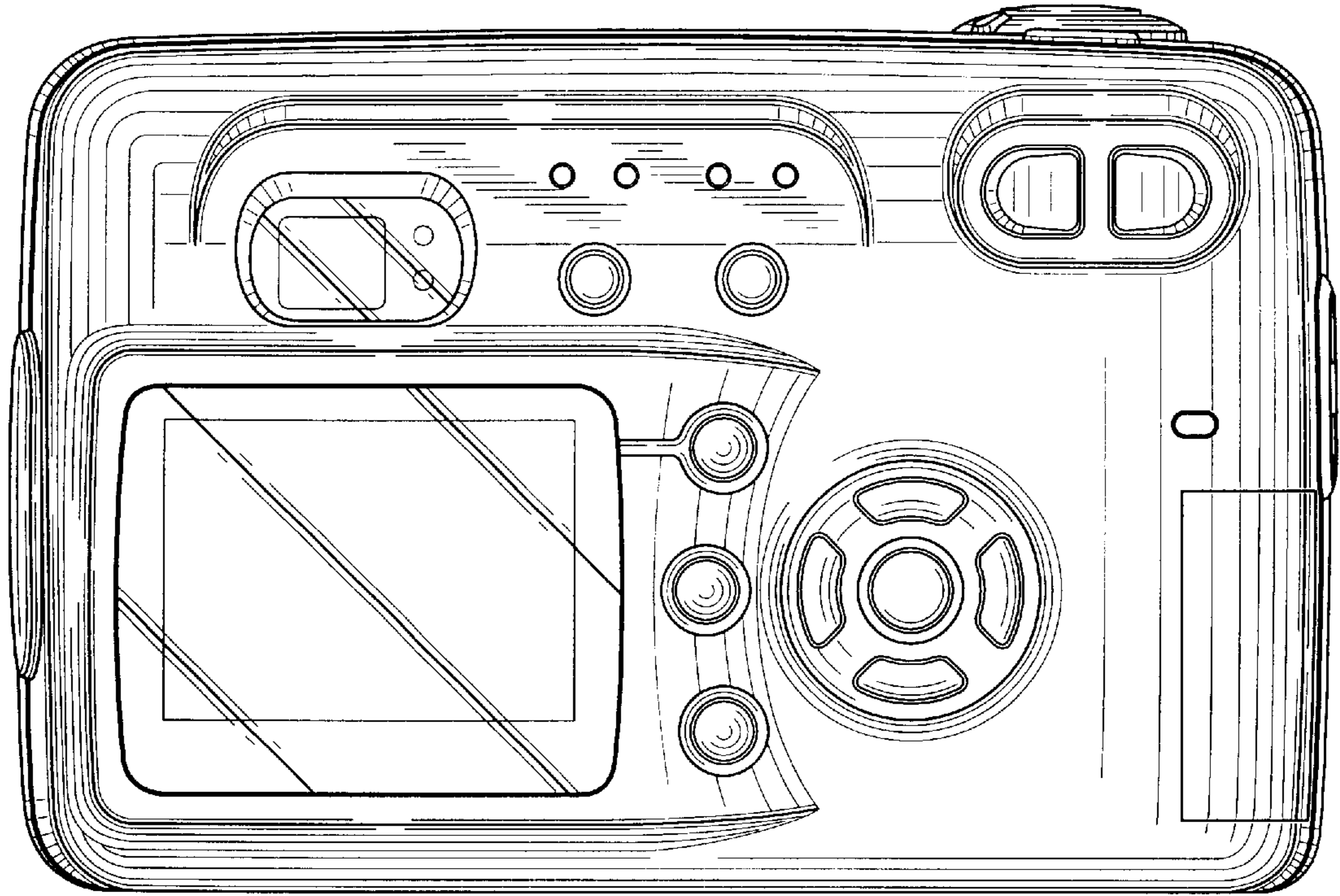


FIG. 7

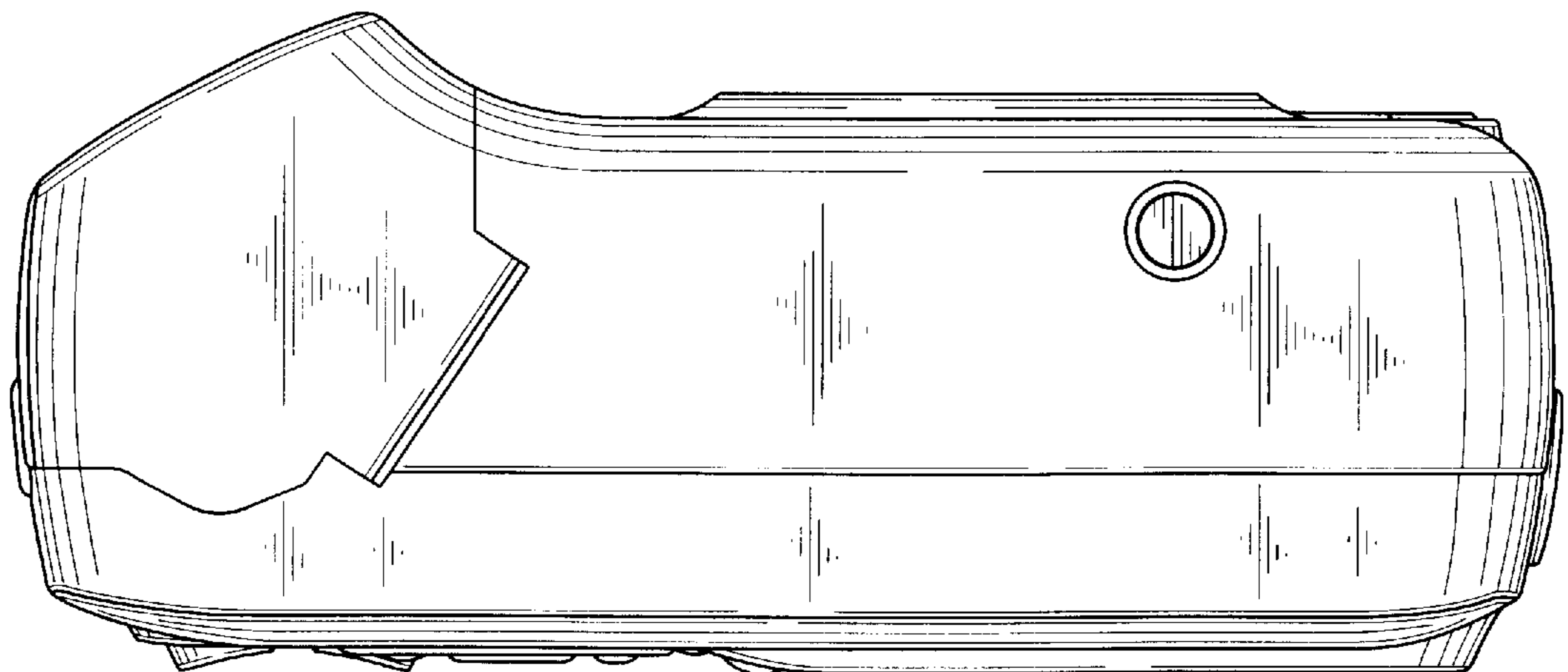


FIG. 8

