



US00D462704S

(12) **United States Design Patent**  
**Suzuki et al.**

(10) **Patent No.:** **US D462,704 S**

(45) **Date of Patent:** **\*\* Sep. 10, 2002**

(54) **DIGITAL CAMERA**

(75) Inventors: **Tatsuya Suzuki**, Tokyo (JP); **Hiroshi Iue**, Tokyo (JP)

(73) Assignee: **Olympus Optical Co., Ltd.**, Tokyo (JP)

(\*\*) Term: **14 Years**

(21) Appl. No.: **29/149,787**

(22) Filed: **Oct. 16, 2001**

(30) **Foreign Application Priority Data**

May 7, 2001 (JP) ..... 2001-012905

(51) **LOC (7) Cl.** ..... **16-01**

(52) **U.S. Cl.** ..... **D16/202; D16/209; D16/212**

(58) **Field of Search** ..... **D16/200-204, D16/208, 209, 211, 212, 218, 219; 396/348, 349, 448, 535, 536-541; 348/373-376**

(56) **References Cited**

**U.S. PATENT DOCUMENTS**

- 5,701,533 A \* 12/1997 Suzuki et al. .... 396/349
- 5,708,891 A \* 1/1998 Ando et al. .... 396/448
- D397,129 S \* 8/1998 Eto et al. .... D16/209
- D415,511 S \* 10/1999 Funakoshi et al. .... D16/209
- D449,325 S \* 10/2001 Iue et al. .... D16/202

**OTHER PUBLICATIONS**

The Point Network, Sony Catalog, Dec. 15, 1999 cover page (Olympys zoom 74 VF camera).\*

\* cited by examiner

*Primary Examiner*—Adir Aronovich

(74) *Attorney, Agent, or Firm*—Hogan & Hartson, L.L.P.

(57) **CLAIM**

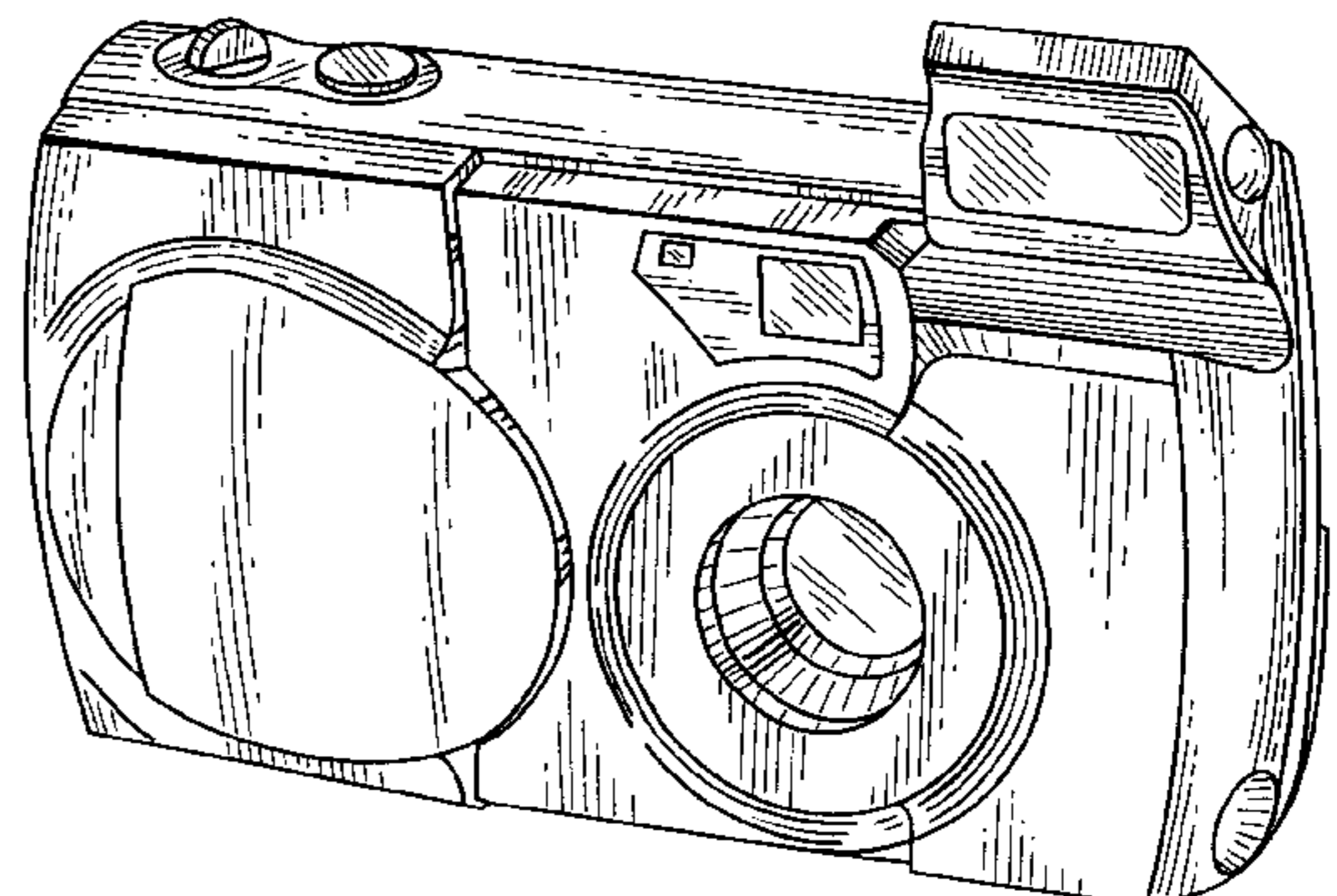
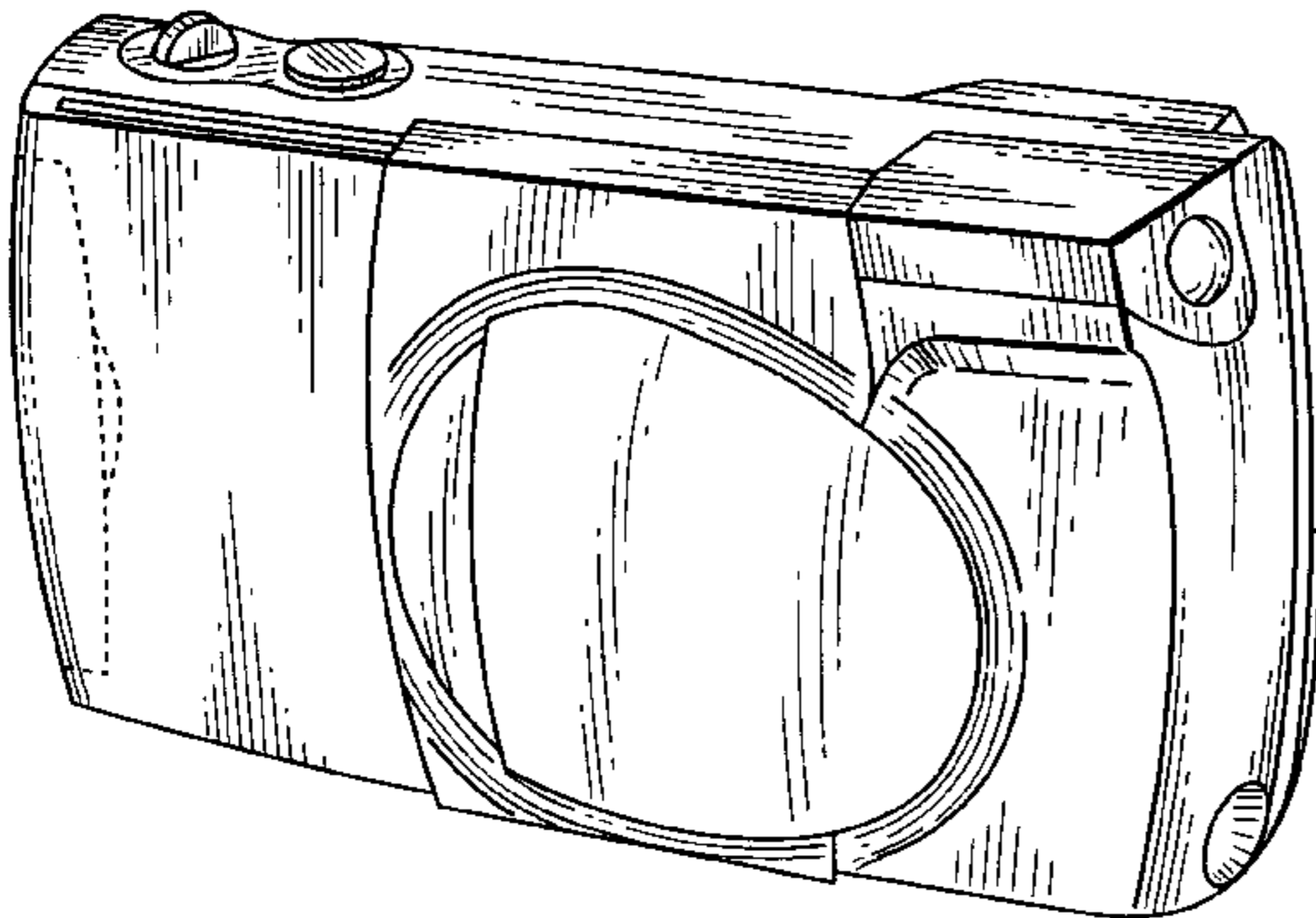
The ornamental design for a digital camera, as shown and described.

**DESCRIPTION**

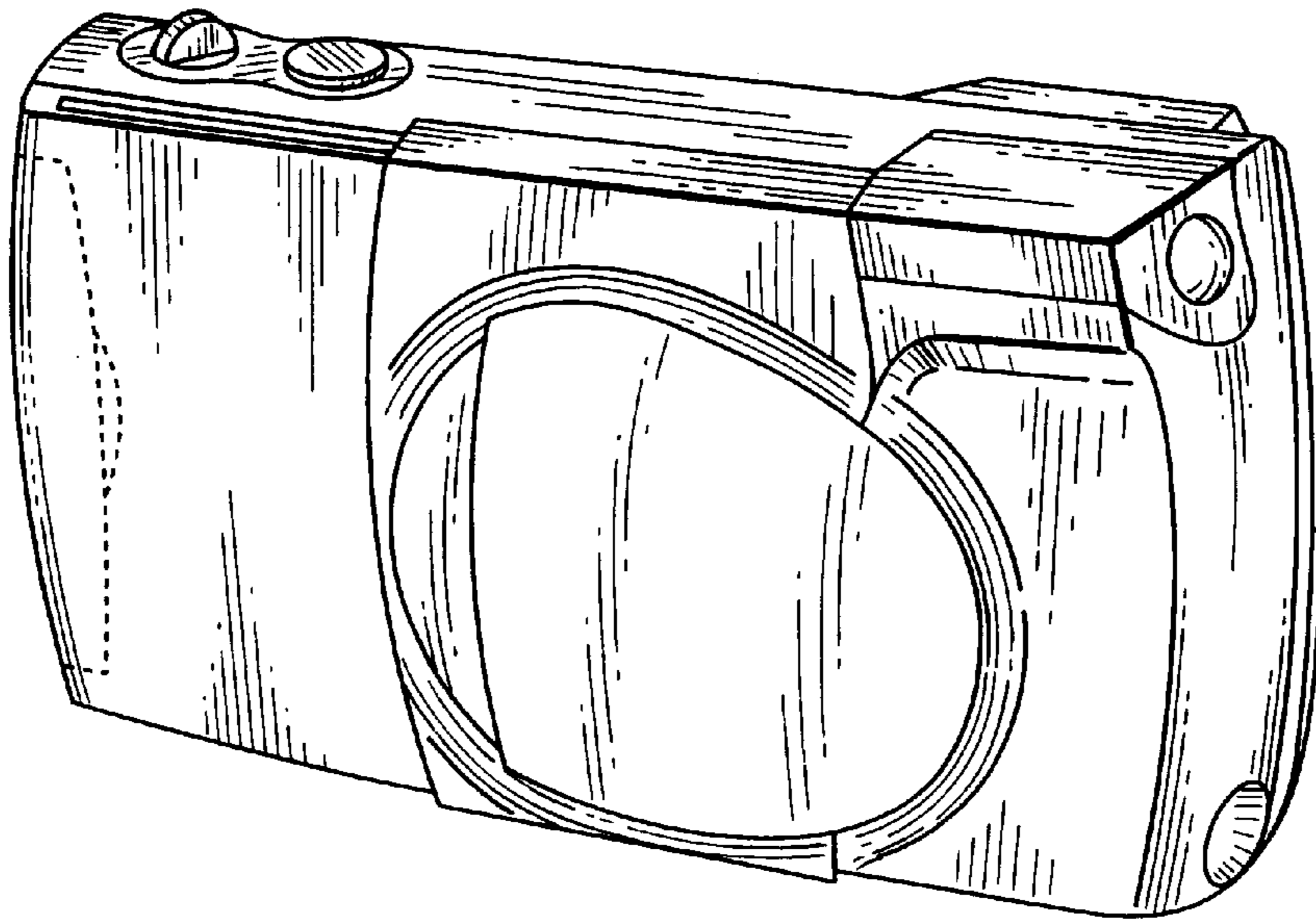
FIG. 1 is a front, top and right side perspective view of a digital camera, showing our new design;  
 FIG. 2 is a front, top and right side perspective view thereof, showing the state in which a barrier is opened and a cover of the electric flash is opened;  
 FIG. 3 is a front elevational view thereof;  
 FIG. 4 is a rear elevational view thereof;  
 FIG. 5 is a top plan view thereof;  
 FIG. 6 is a bottom plan view thereof;  
 FIG. 7 is a right side elevational view thereof; and,  
 FIG. 8 is a left side elevational view thereof.

The broken lines are included for the purpose of illustrating environmental structure only and form no part of the claimed design.

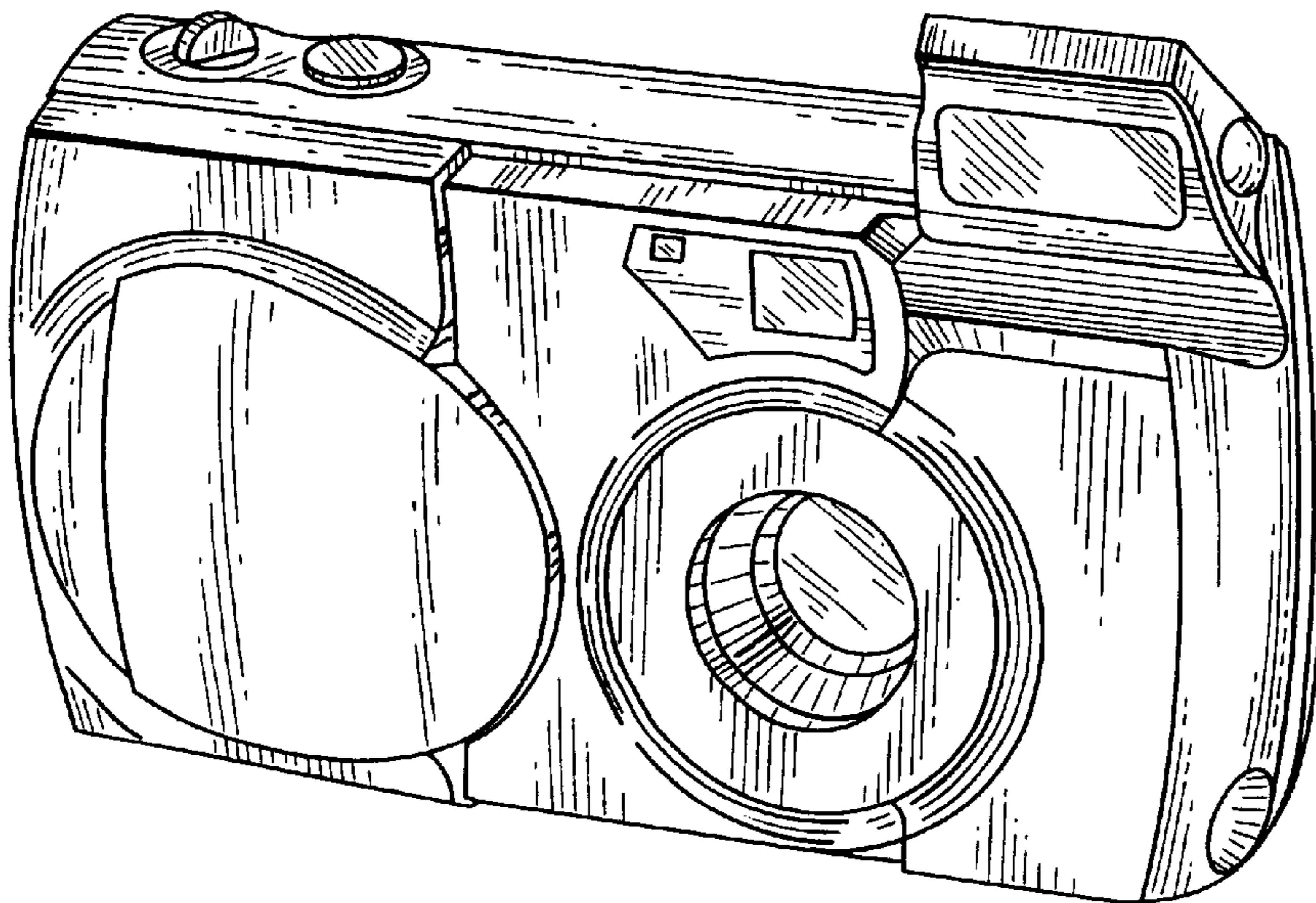
**1 Claim, 3 Drawing Sheets**



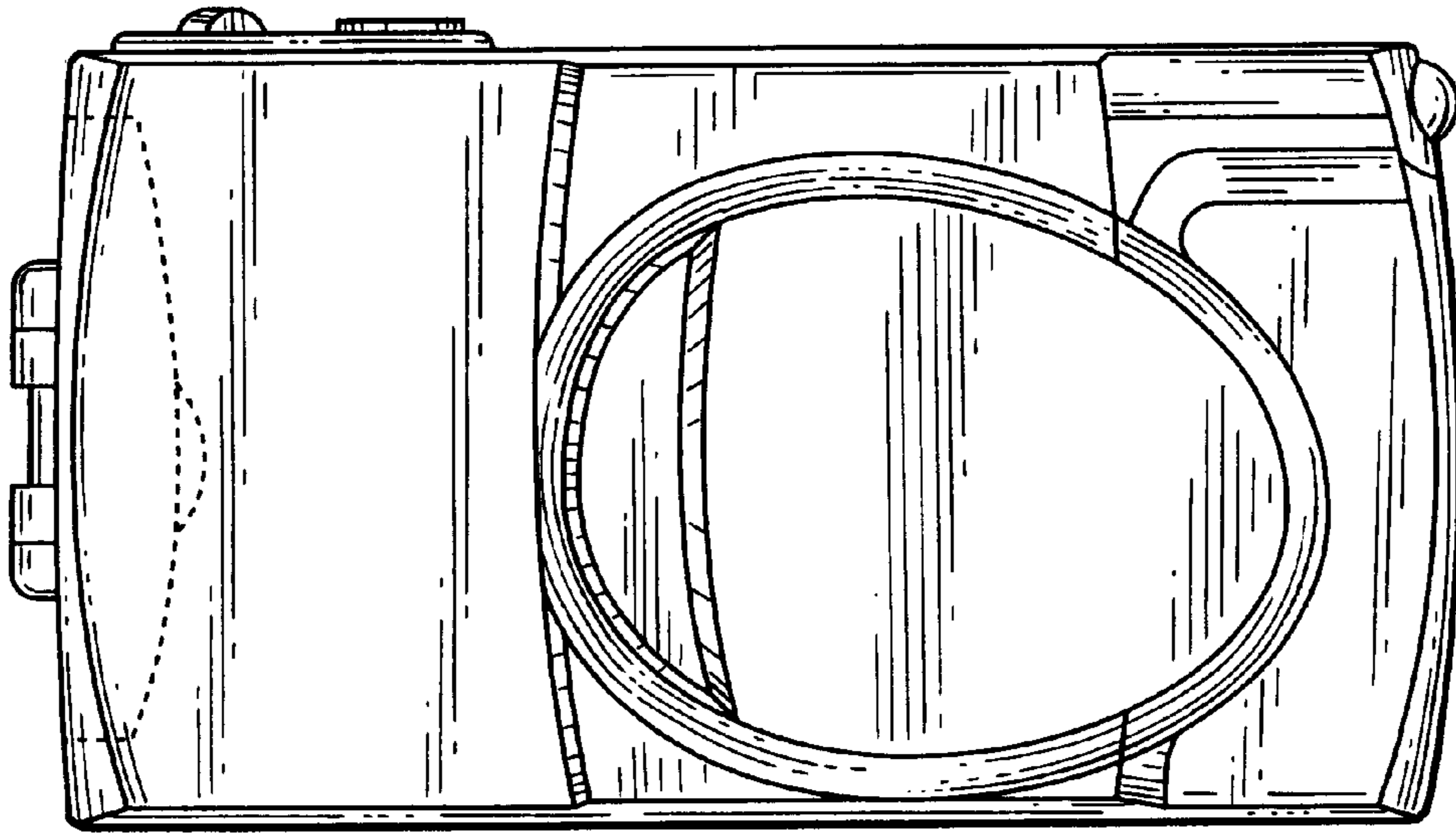
**FIG.1**



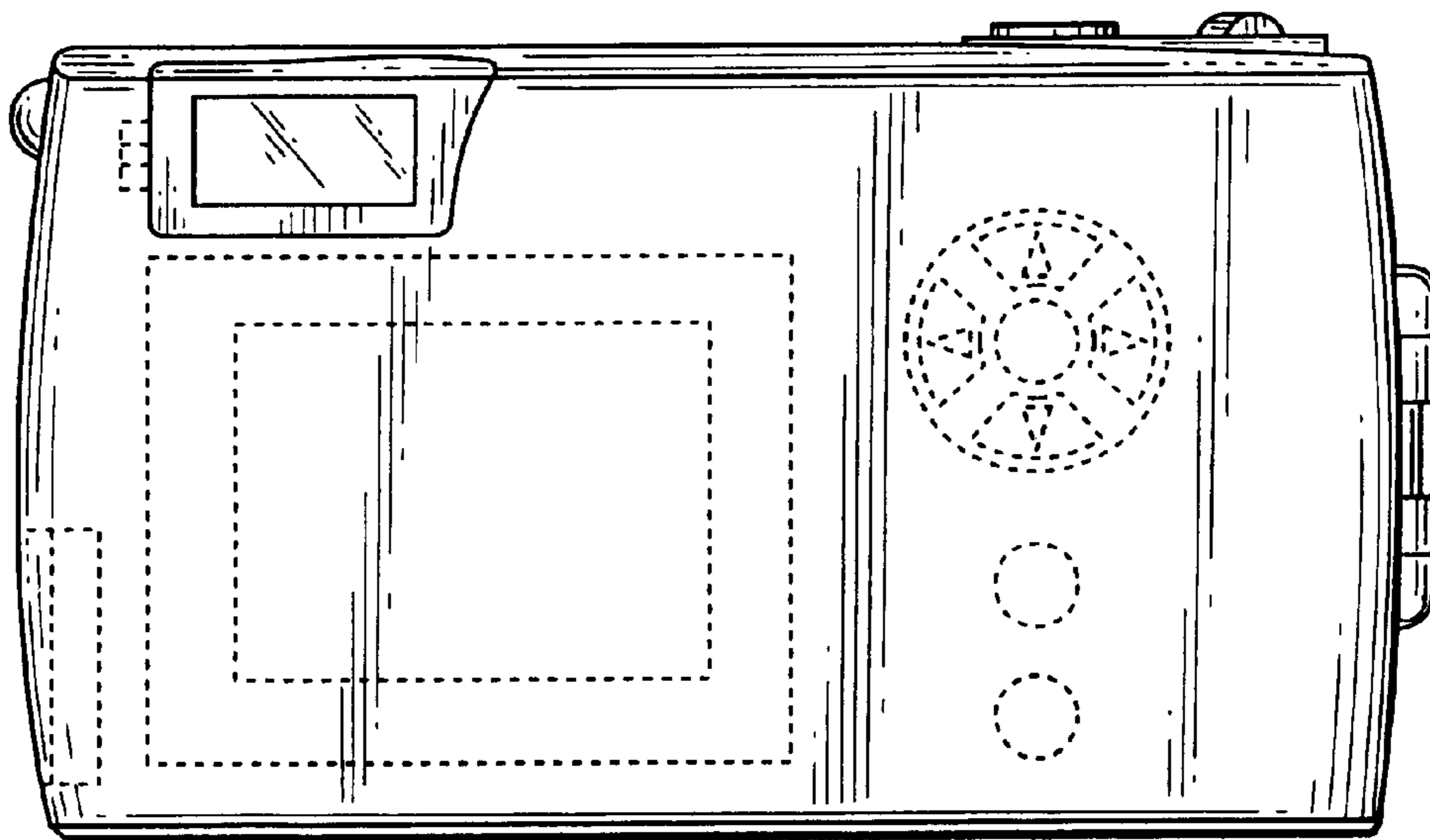
**FIG.2**



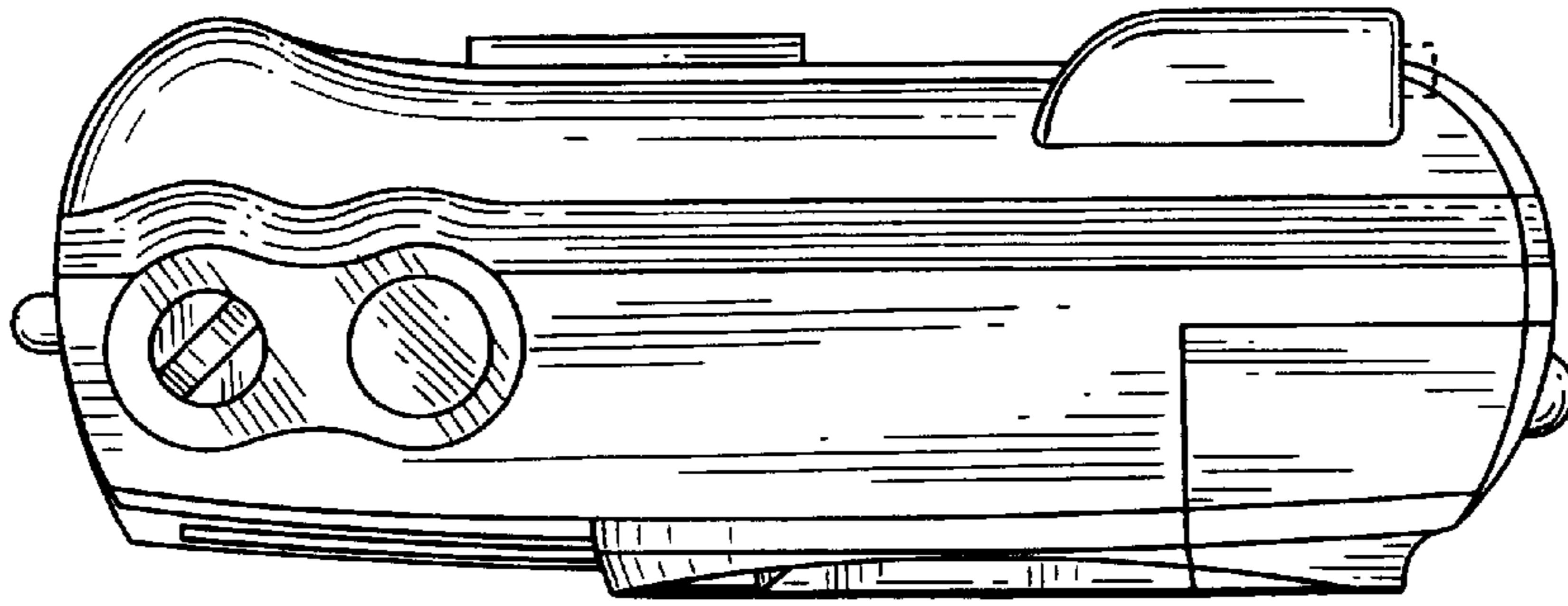
**FIG.3**



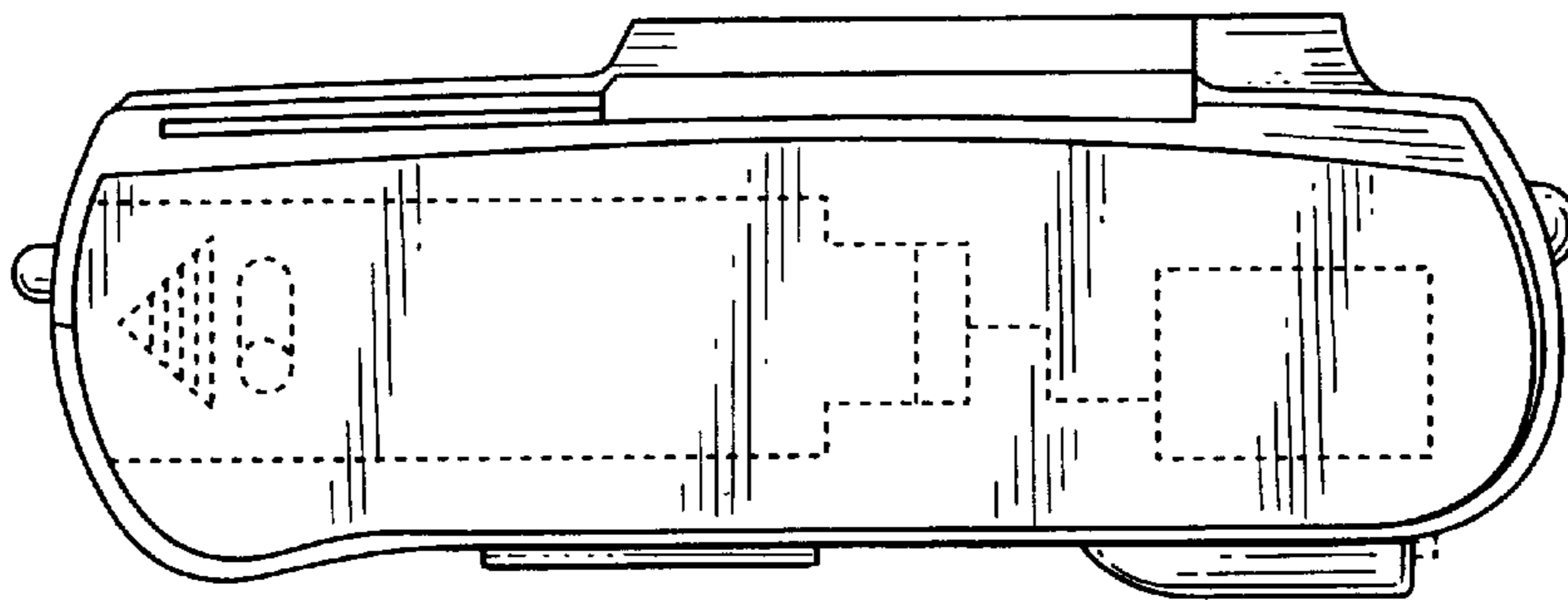
**FIG.4**



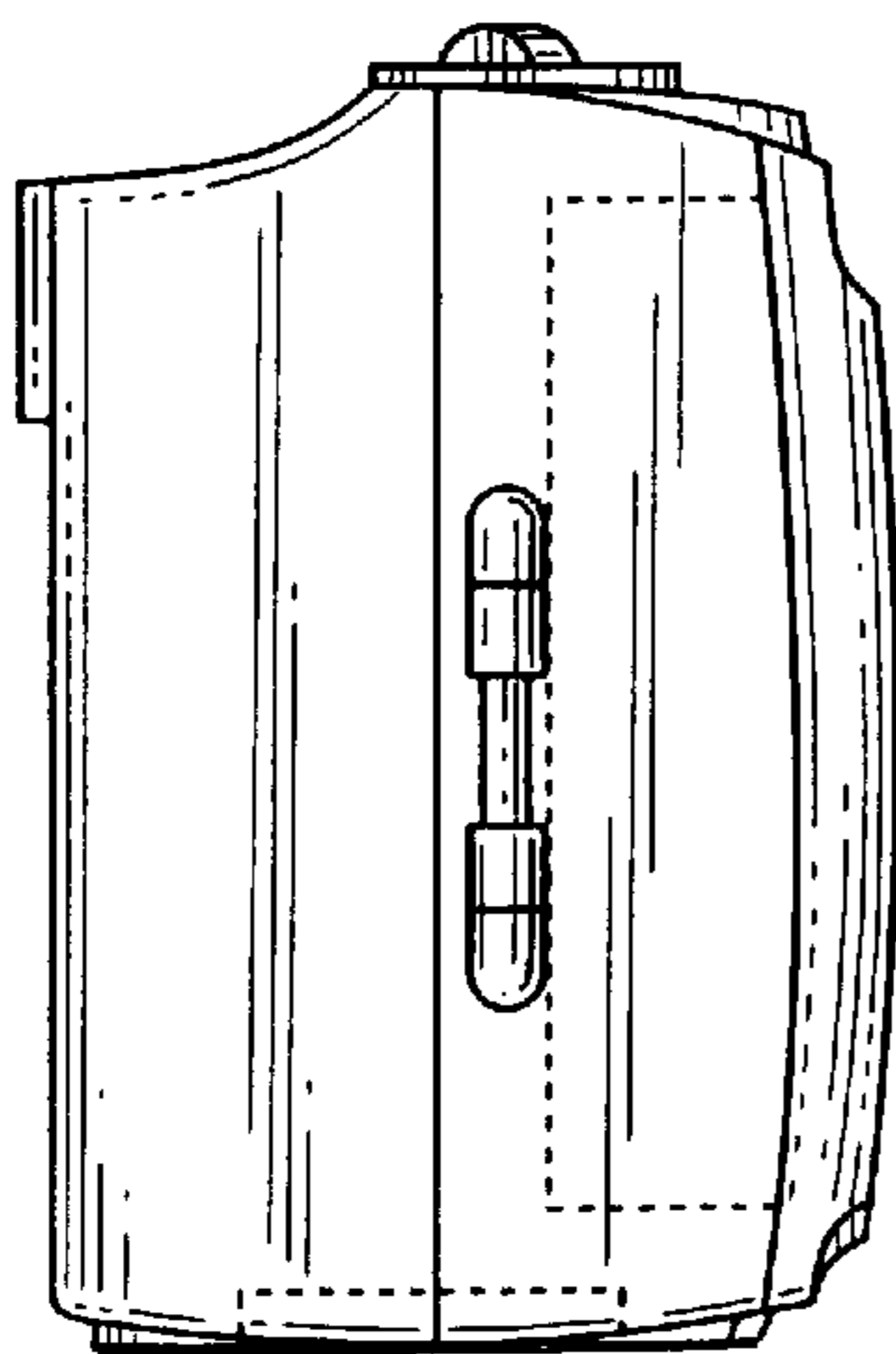
**FIG.5**



**FIG.6**



**FIG.8**



**FIG.7**

