



US00D462700S

(12) **United States Design Patent**
Fujita

(10) **Patent No.:** **US D462,700 S**

(45) **Date of Patent:** **** Sep. 10, 2002**

(54) **COMPRESSOR FOR AIR CONDITIONERS FOR VEHICLES**

D417,266 S 11/1999 Ito et al.
D440,232 S 4/2001 Kou
D441,378 S 5/2001 Kou

(75) Inventor: **Masaaki Fujita, Isesaki (JP)**

Primary Examiner—Ralf Seifert

(73) Assignee: **Sanden Corporation, Gunma (JP)**

(74) *Attorney, Agent, or Firm—Baker Botts LLP*

(**) Term: **14 Years**

(57) **CLAIM**

(21) Appl. No.: **29/146,658**

The ornamental design for a compressor for air conditioners for vehicles, as shown and described above.

(22) Filed: **Aug. 15, 2001**

DESCRIPTION

(30) **Foreign Application Priority Data**

Feb. 19, 2001 (JP) 2001-008581

(51) **LOC (7) Cl.** **15-02**

(52) **U.S. Cl.** **D15/9**

(58) **Field of Search** D15/7-9; D23/325,
D23/354; 418/259, 67

FIG. 1 is a front view of a compressor for air conditioner of vehicles, according to the design.

FIG. 2 is a rear view of the compressor, as shown in FIG. 1.

FIG. 3 is a right side view of the compressor, as shown in FIG. 1.

FIG. 4 is a left side view of the compressor, as shown in FIG. 1.

FIG. 5 is a top view of the compressor, as shown in FIG. 1.

FIG. 6 is a bottom view of the compressor, as shown in FIG. 1.

FIG. 7 is a top, rear perspective view of the compressor of FIG. 1; and,

FIG. 8 is a bottom, front perspective view of the compressor of FIG. 1.

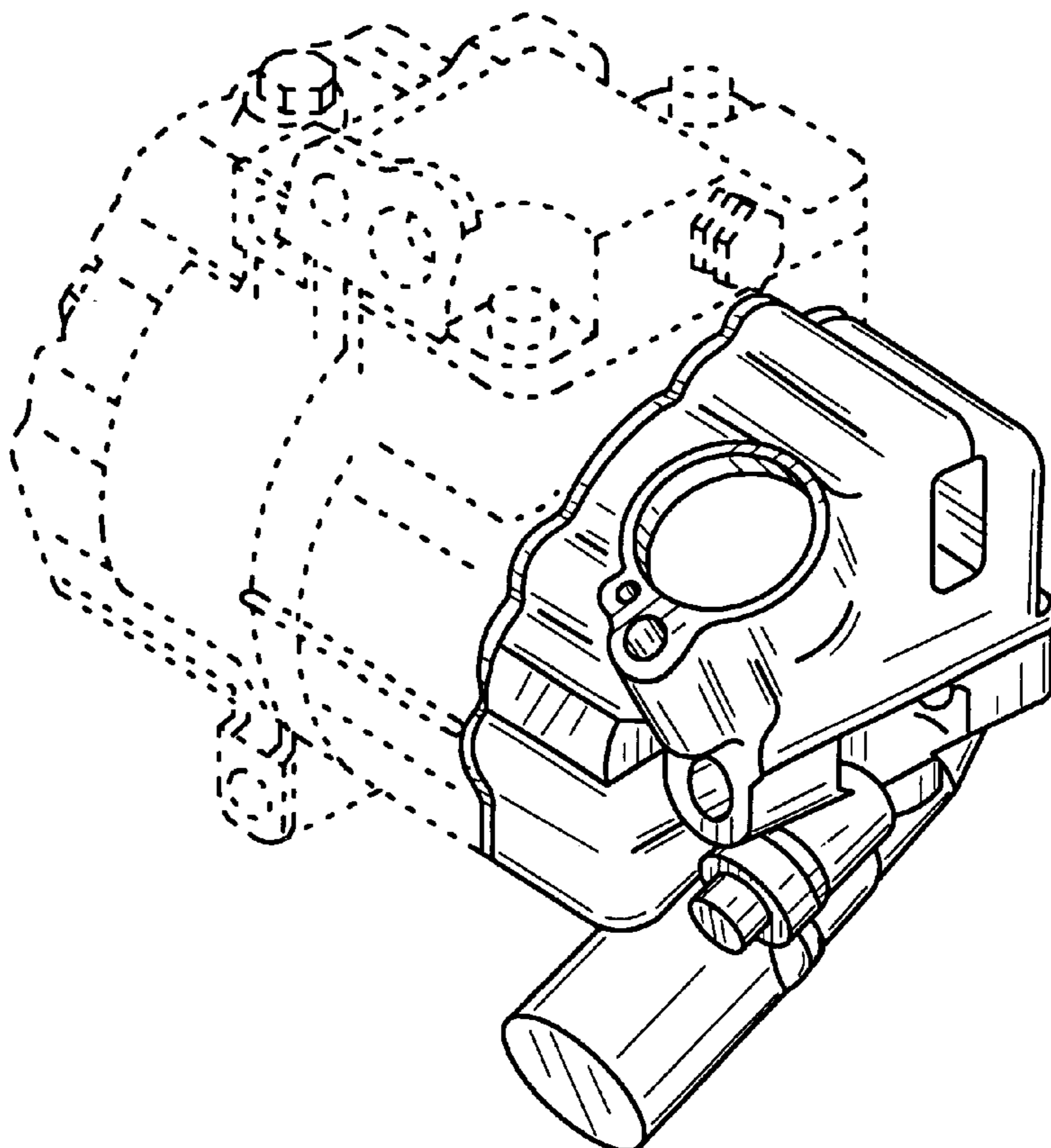
It being understood that the broken lines are for illustrative purposes only.

(56) **References Cited**

U.S. PATENT DOCUMENTS

- 4,373,876 A 2/1983 Nemoto
- D282,471 S 2/1986 Bearint et al.
- D351,603 S 10/1994 Ikeda et al.
- D352,291 S 11/1994 Ikeda et al.
- D356,862 S 3/1995 Ito et al.
- D381,340 S 7/1997 Takenaka et al.
- D381,993 S 8/1997 Takenaka et al.

1 Claim, 4 Drawing Sheets



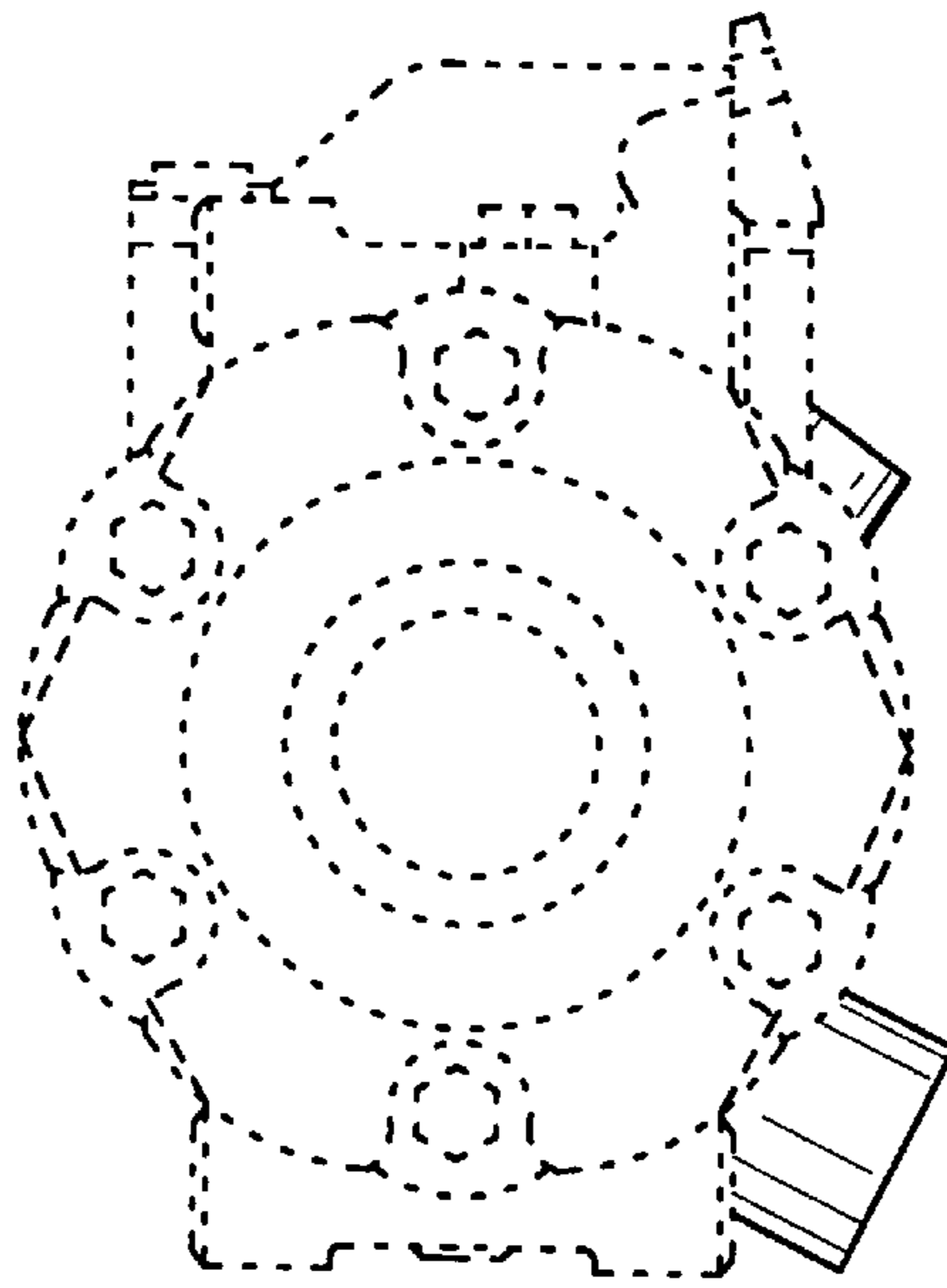


FIG. 1

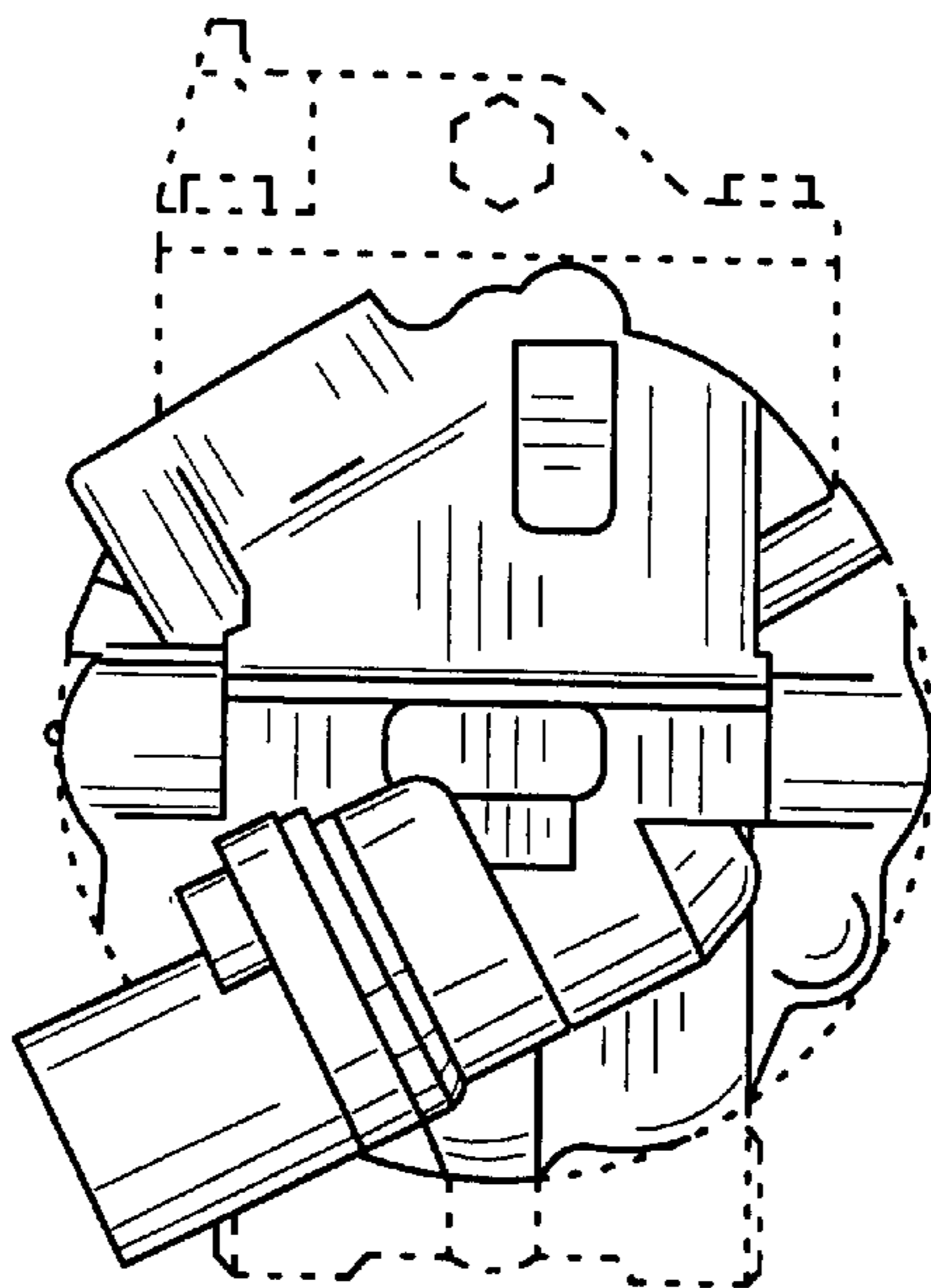


FIG. 2

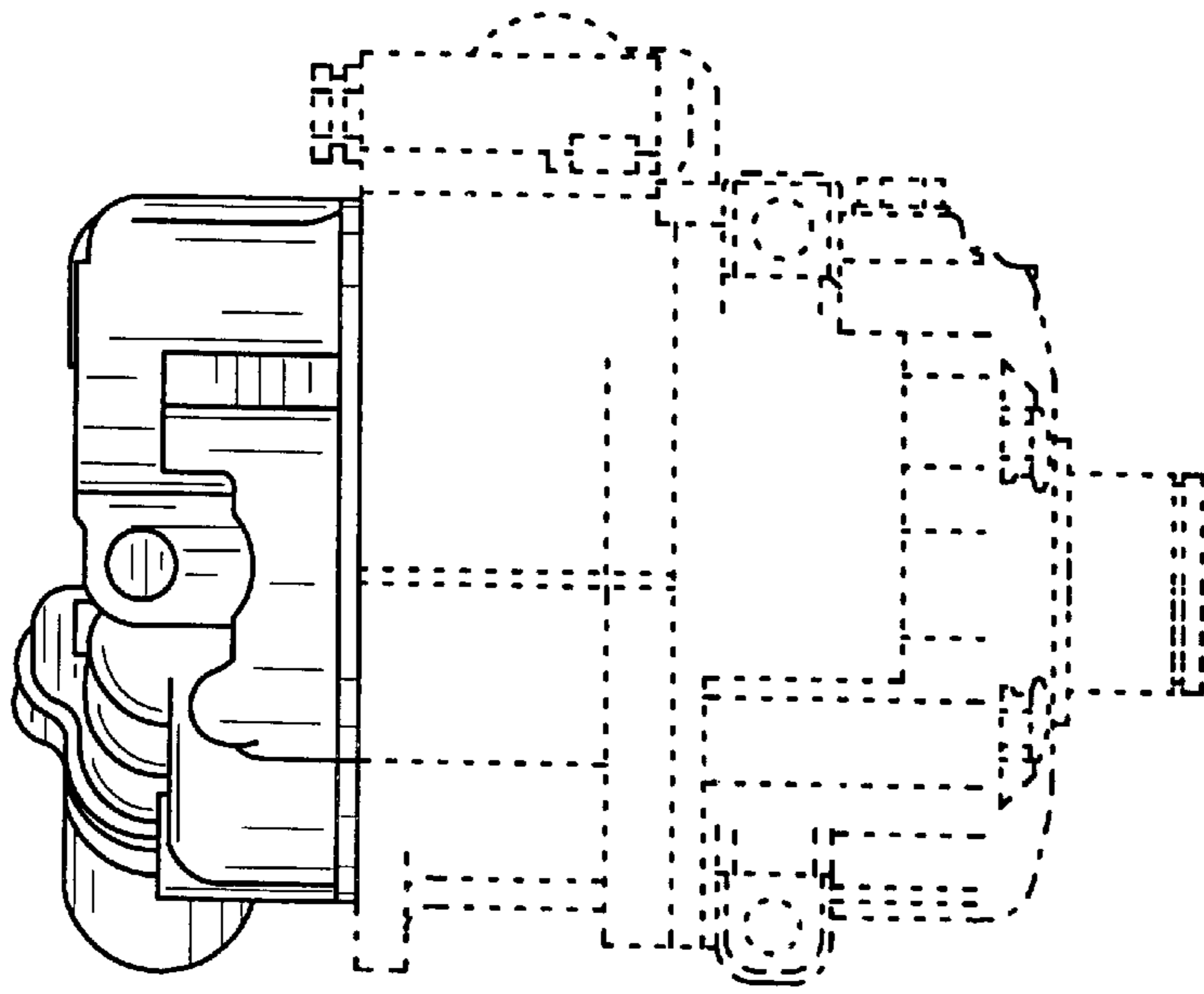


FIG. 3

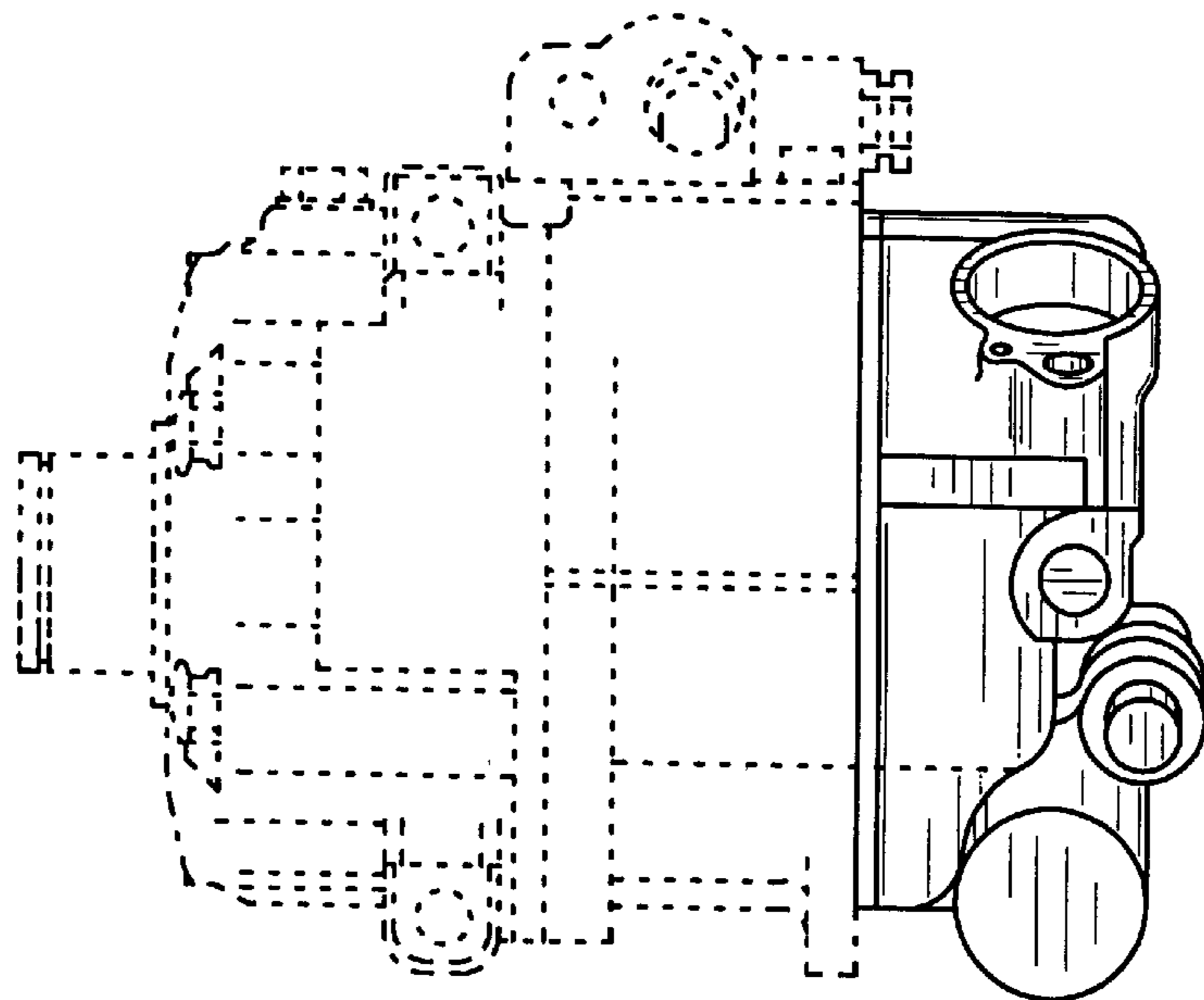


FIG. 4

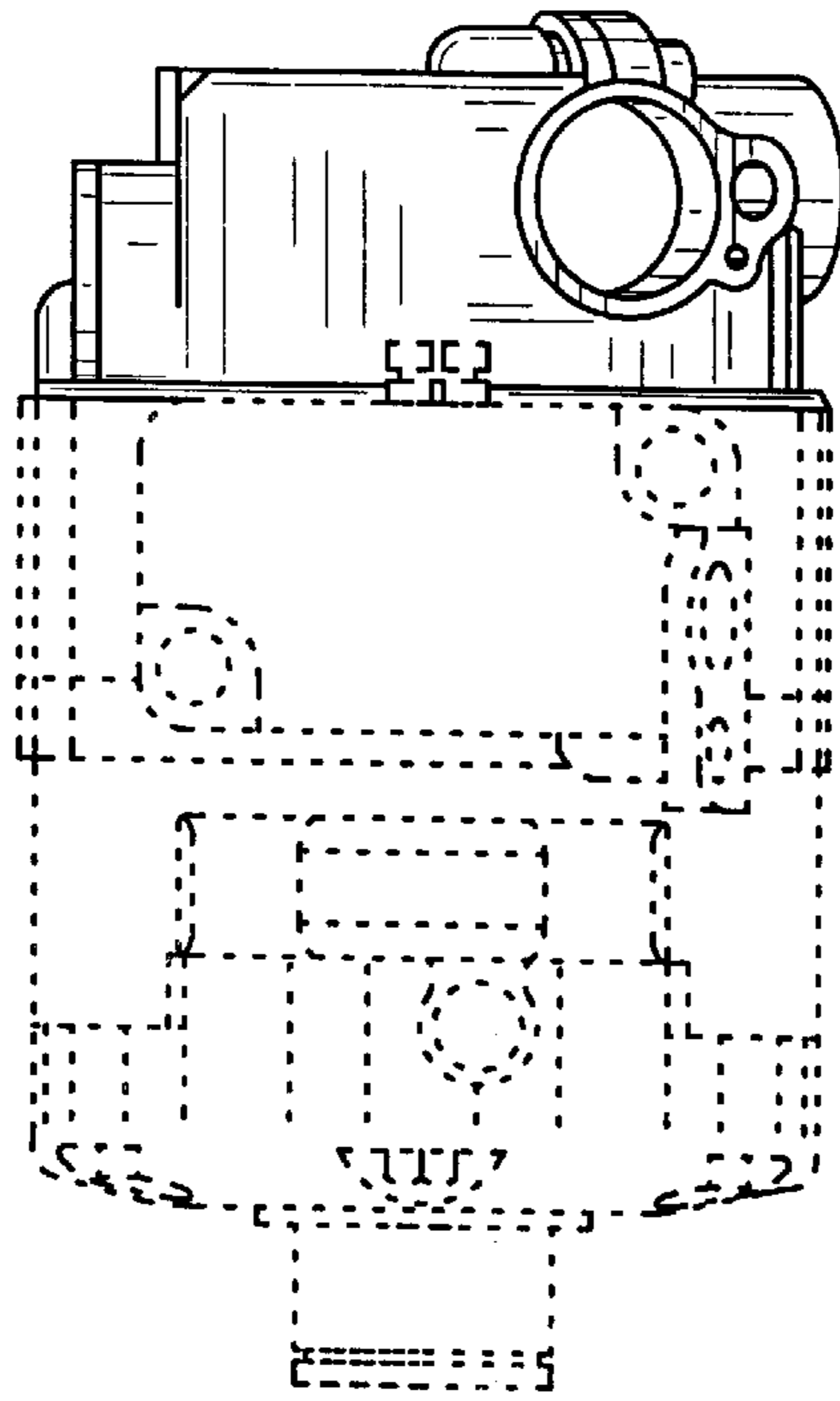


FIG. 5

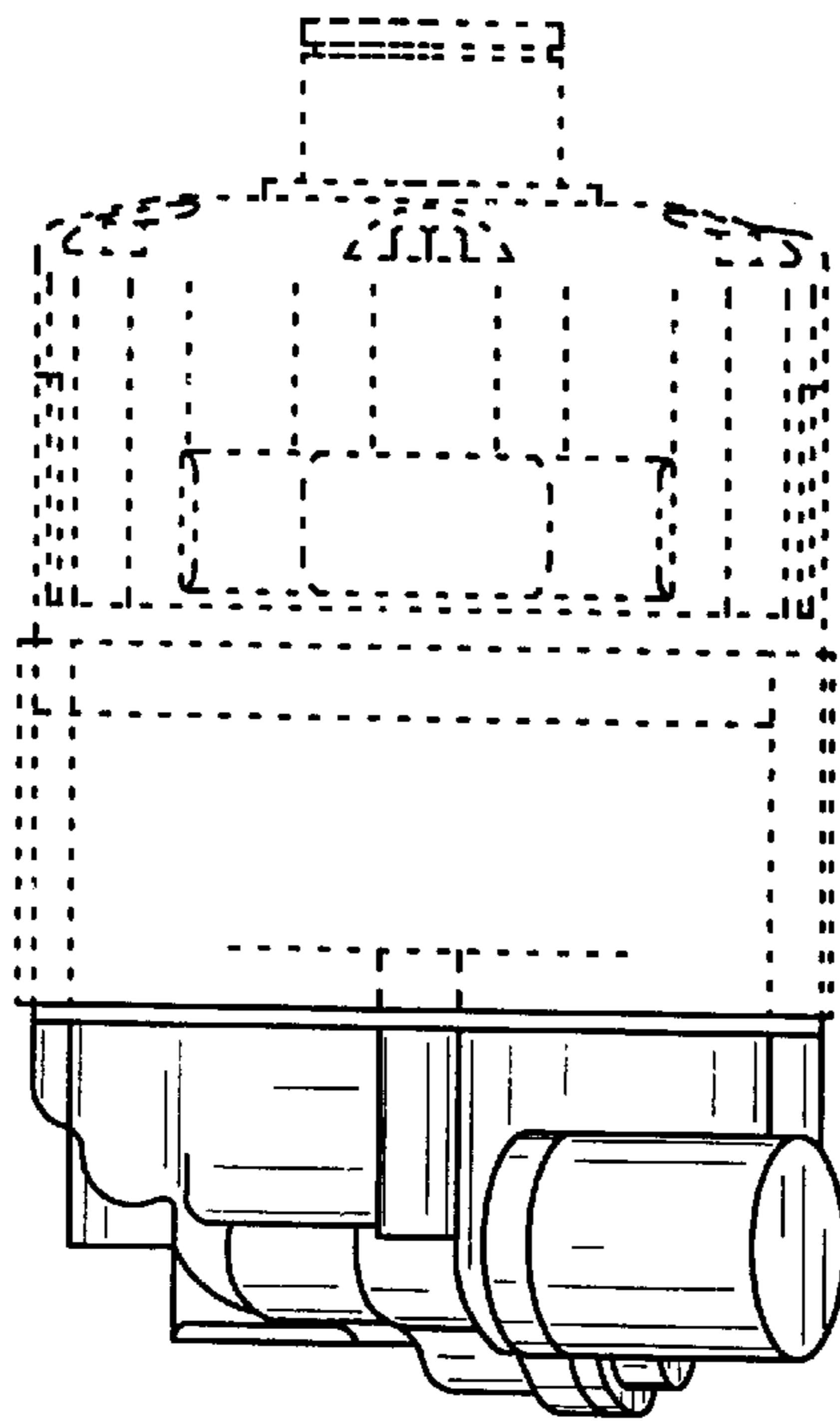


FIG. 6

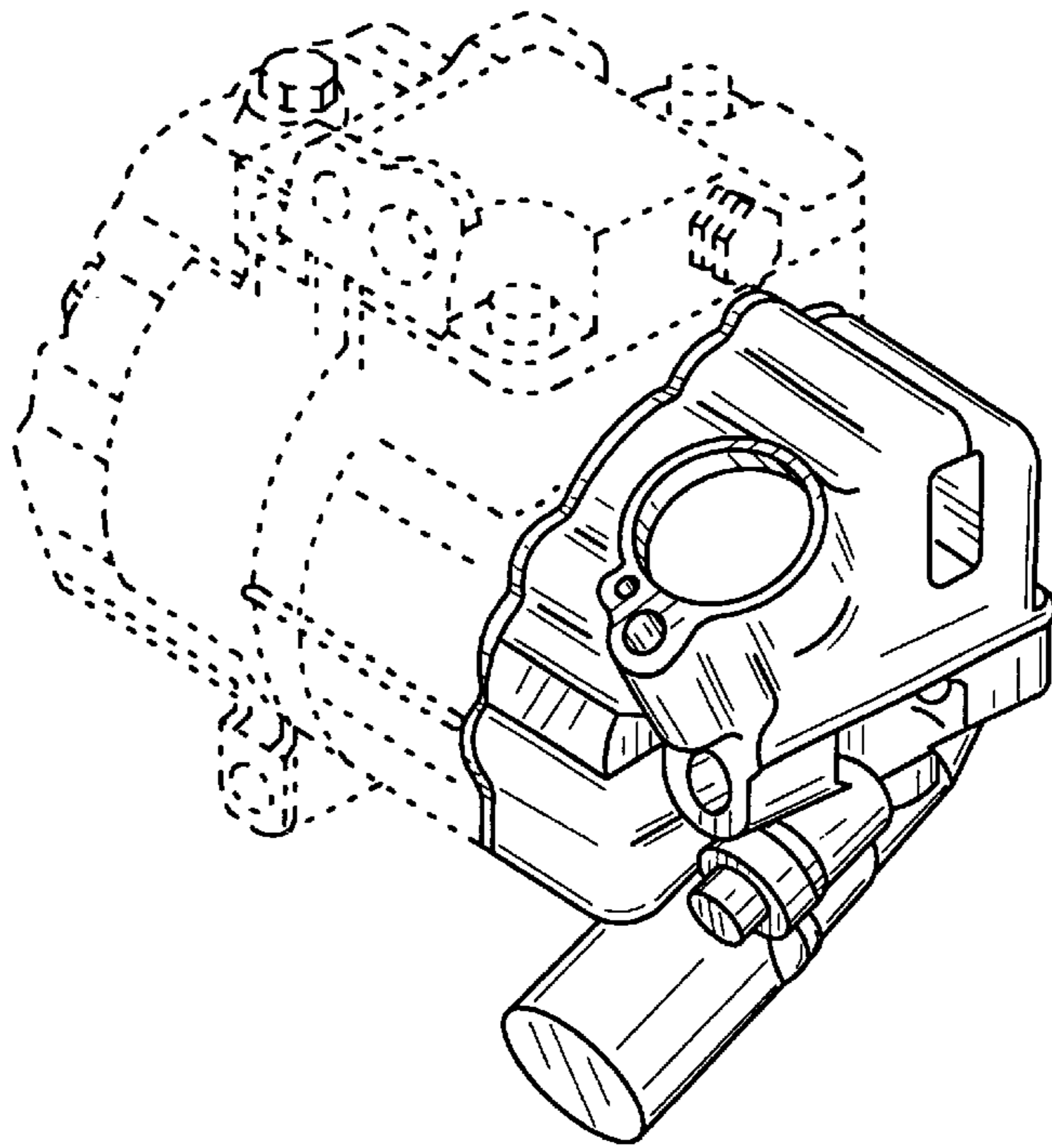


FIG. 7

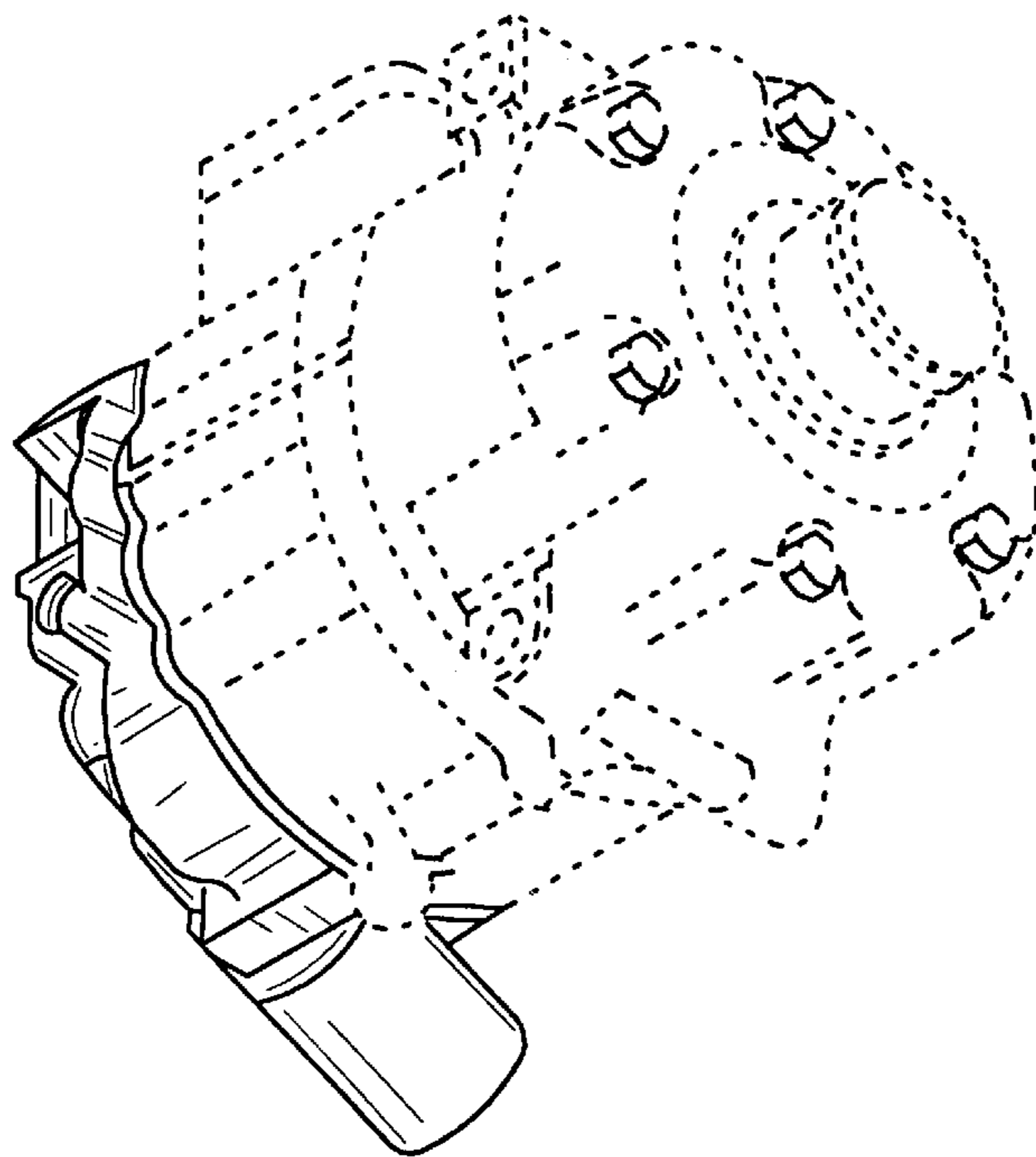


FIG. 8