



US00D462699S

(12) **United States Design Patent**
Johnson et al.

(10) **Patent No.:** **US D462,699 S**

(45) **Date of Patent:** **** Sep. 10, 2002**

(54) **MANIFOLD HEADER CAP**

D396,046 S * 7/1998 Scheel et al. D15/5
D396,726 S * 8/1998 Sadr et al. D15/5
D400,890 S * 11/1998 Gambardella D15/5

(75) Inventors: **Warren Thomas Johnson**, Grose Vale;
Robert James McMahon, Leichhardt;
David John Cox, Penrith; **Leon Keith Ernst**, Fairfield; **Bruce Gregory Biltoft**, Chatswood; **Gary William Stollery**, Richmond; **David Wood**, Hunters Hill, all of (AU)

* cited by examiner

Primary Examiner—Melody N. Brown
(74) *Attorney, Agent, or Firm*—Knobbe, Martens, Olson, and Bear LLP

(73) Assignee: **USF Filtration and Separations Group, Inc.**, Timonium, MD (US)

(57) **CLAIM**

(**) Term: **14 Years**

The ornamental design for a manifold header cap, as shown and described.

(21) Appl. No.: **29/132,071**

DESCRIPTION

(22) Filed: **Nov. 1, 2000**

FIG. 1 is a front elevation view of a manifold header cap embodying our new design;

(30) **Foreign Application Priority Data**

FIG. 2 is a back elevation view thereof;

May 31, 2000 (AU) 1677/00

FIG. 3 is a top plan view thereof;

(51) **LOC (7) Cl.** **15-01**

FIG. 4 is a bottom plan view thereof;

(52) **U.S. Cl.** **D15/5**

FIG. 5 is a left side elevation view thereof;

(58) **Field of Search** D15/1-5; 60/299,
60/302, 313, 323, 329; 123/184.36, 184.55,
184.61, 572, 52 MV

FIG. 6 is a right side elevation view thereof;

FIG. 7 is a top perspective view thereof; and,

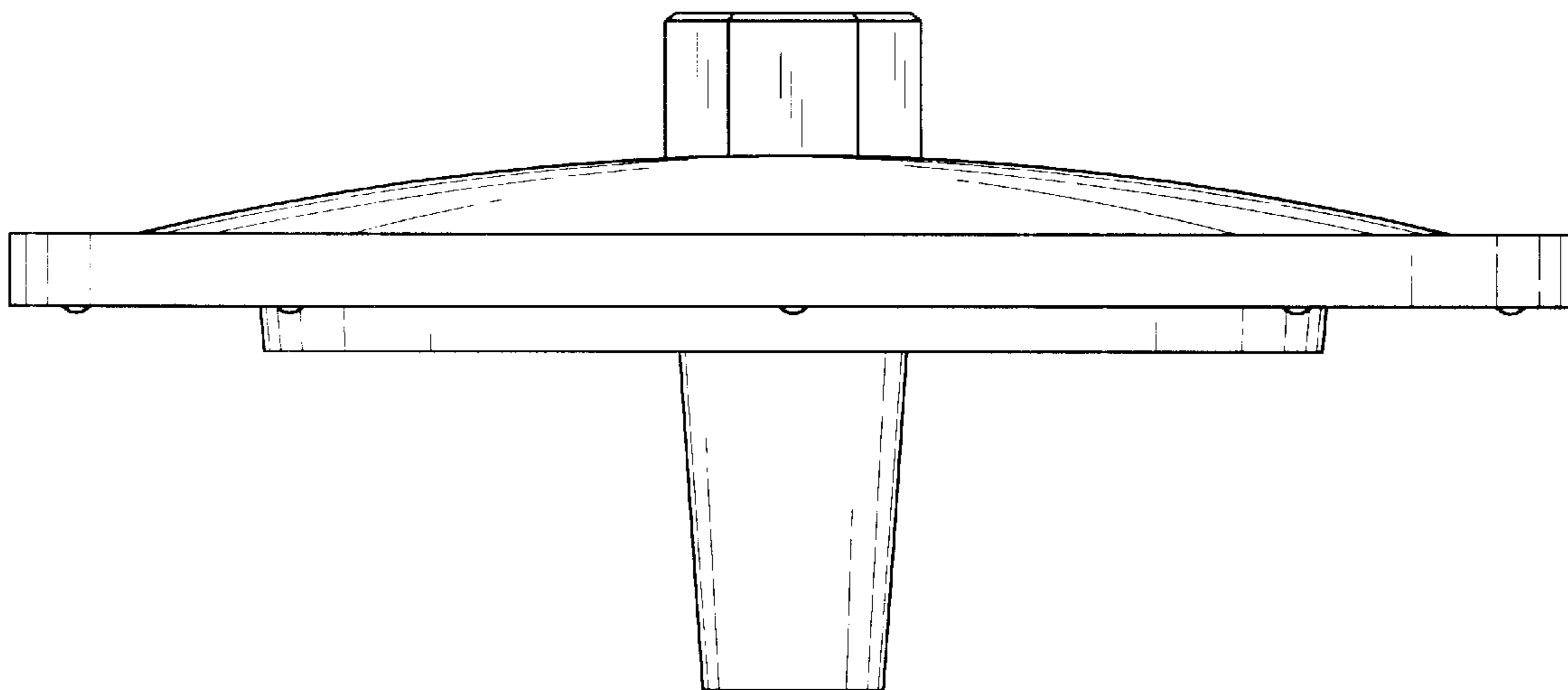
FIG. 8 is a bottom perspective view thereof.

(56) **References Cited**

U.S. PATENT DOCUMENTS

4,763,612 A * 8/1988 Iwanami 123/52 MV

1 Claim, 8 Drawing Sheets



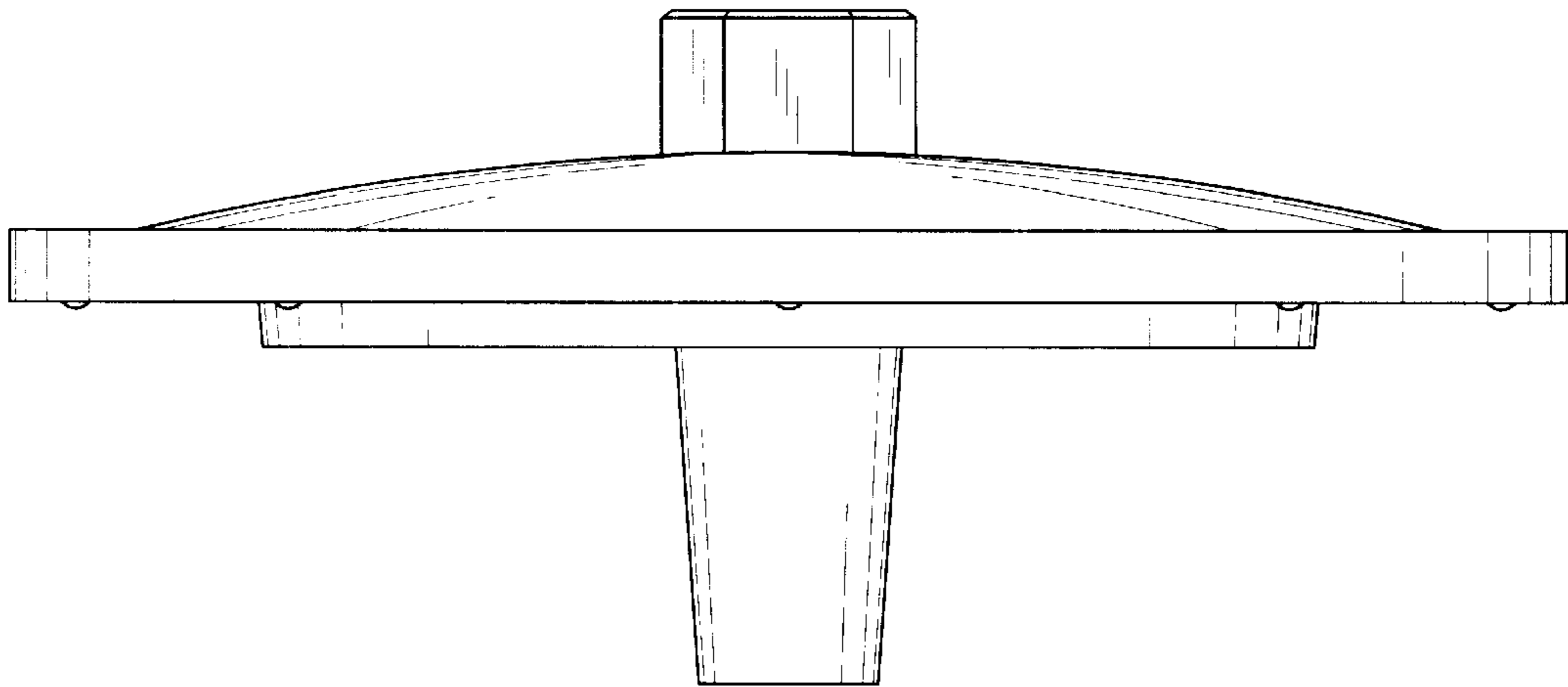


FIG. 1

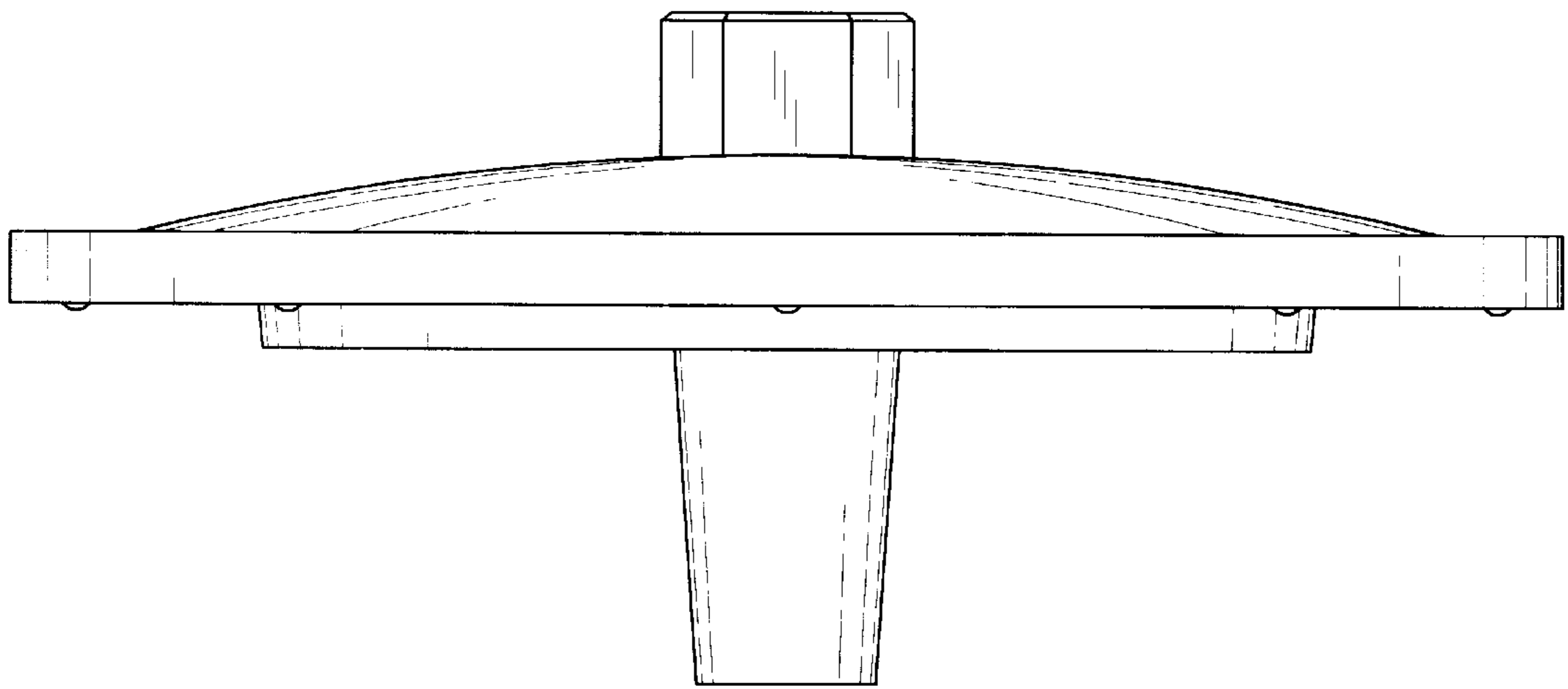


FIG. 2

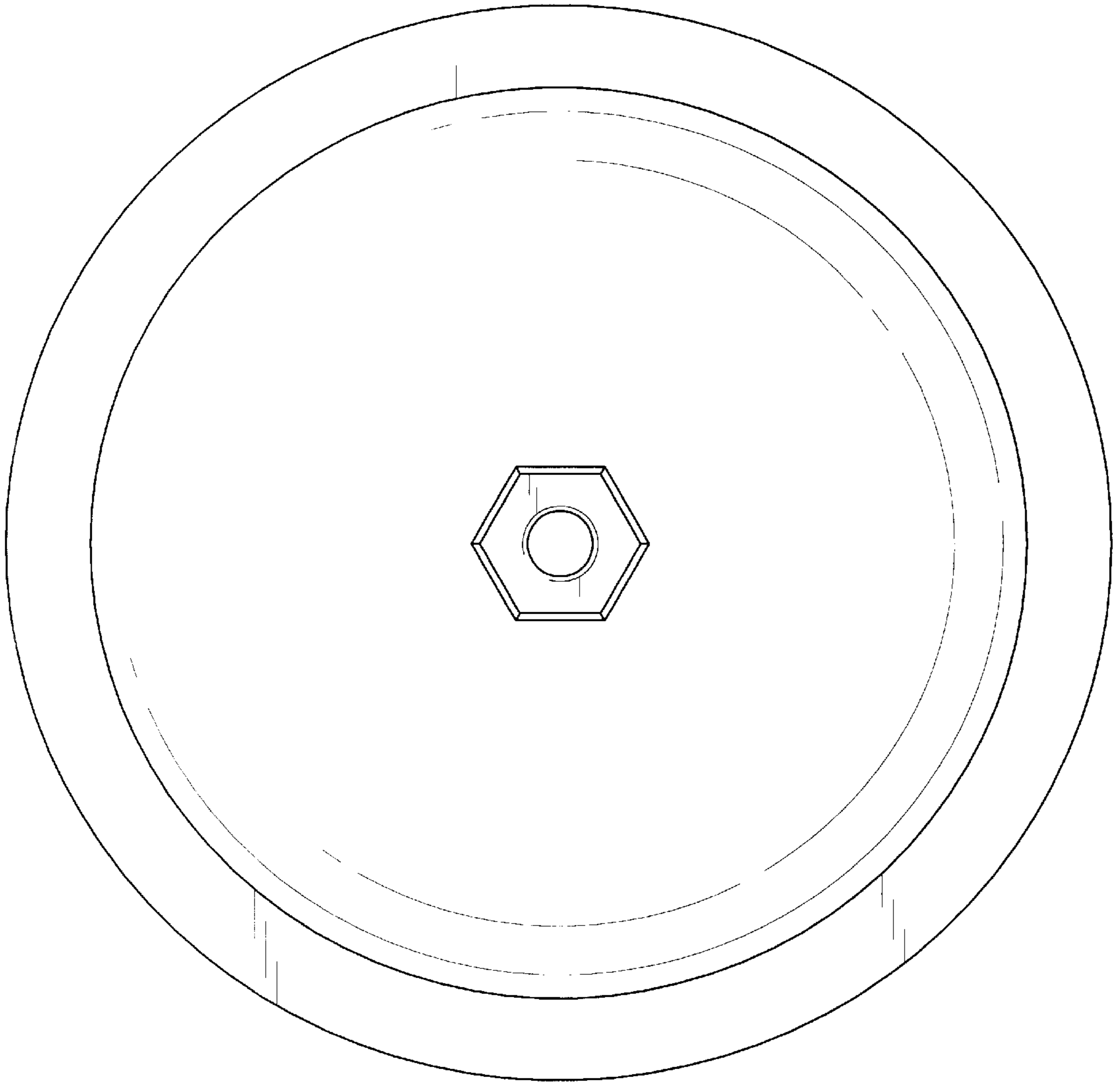


FIG. 3

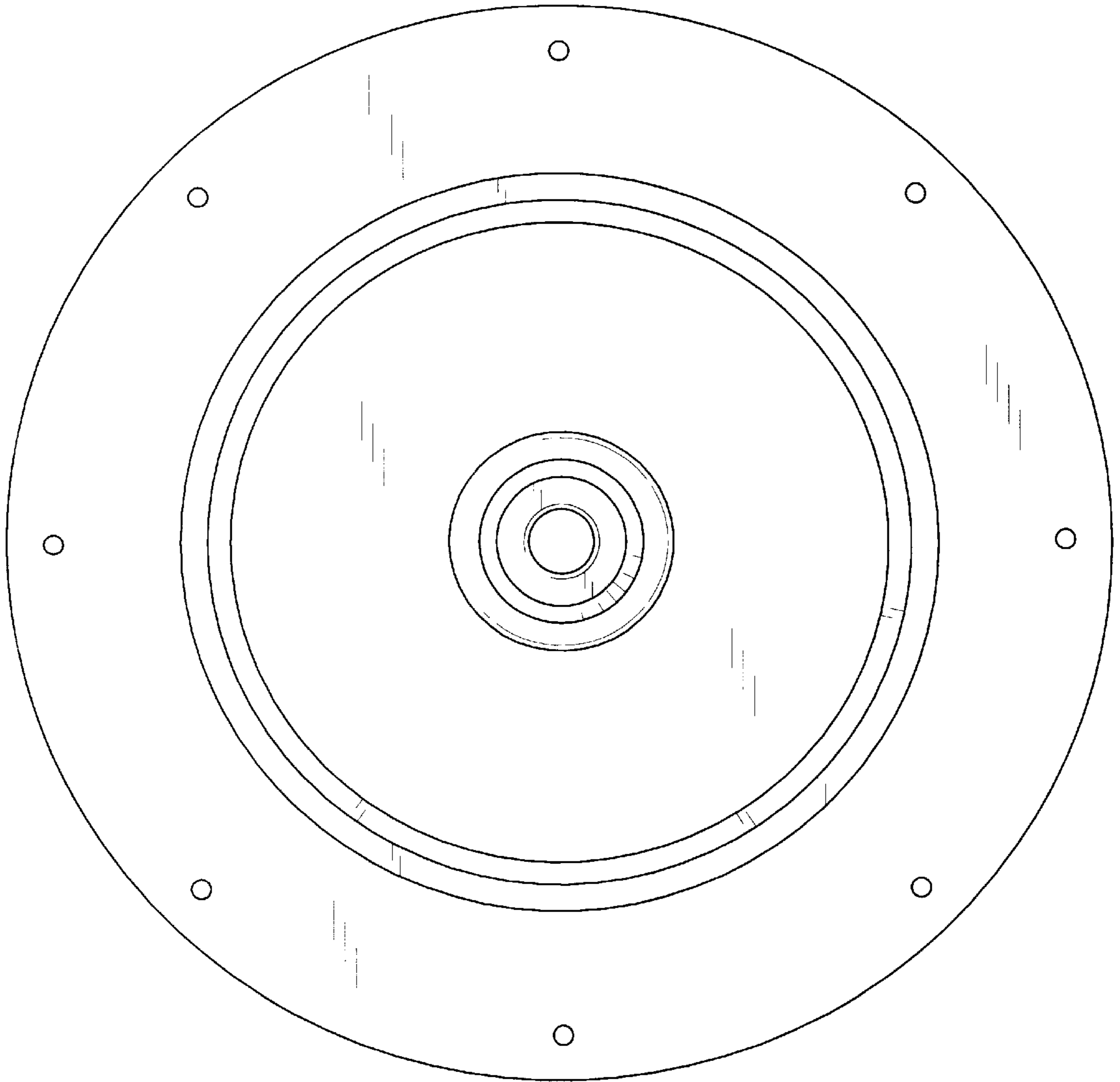


FIG. 4

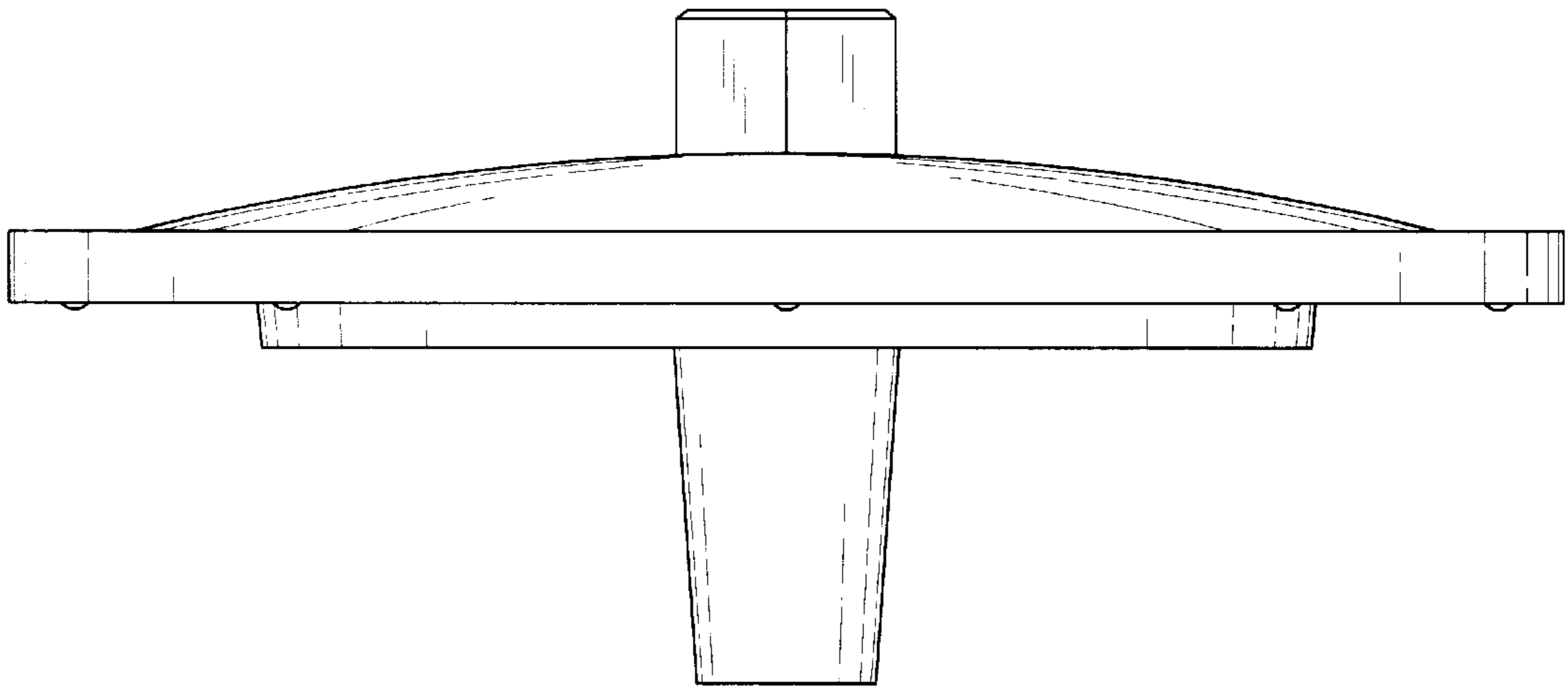


FIG. 5

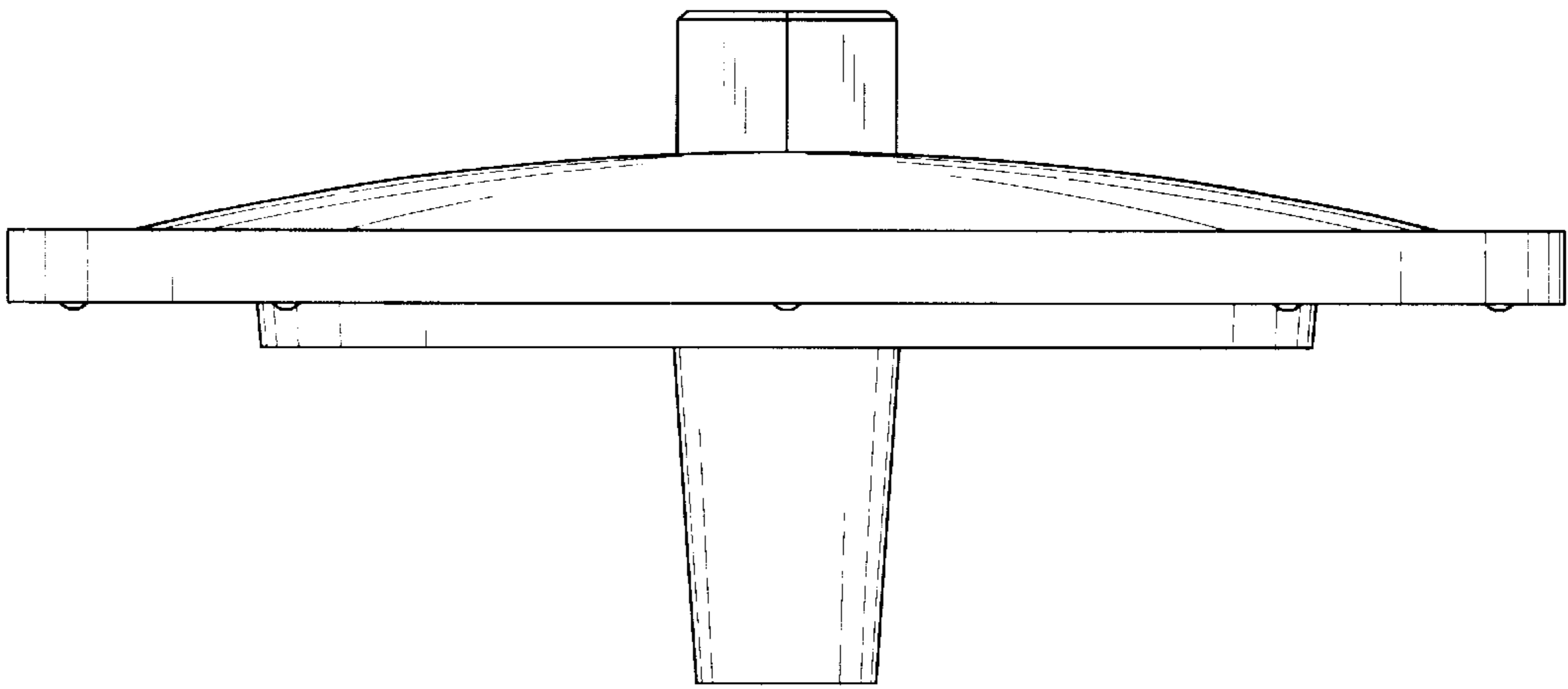


FIG. 6

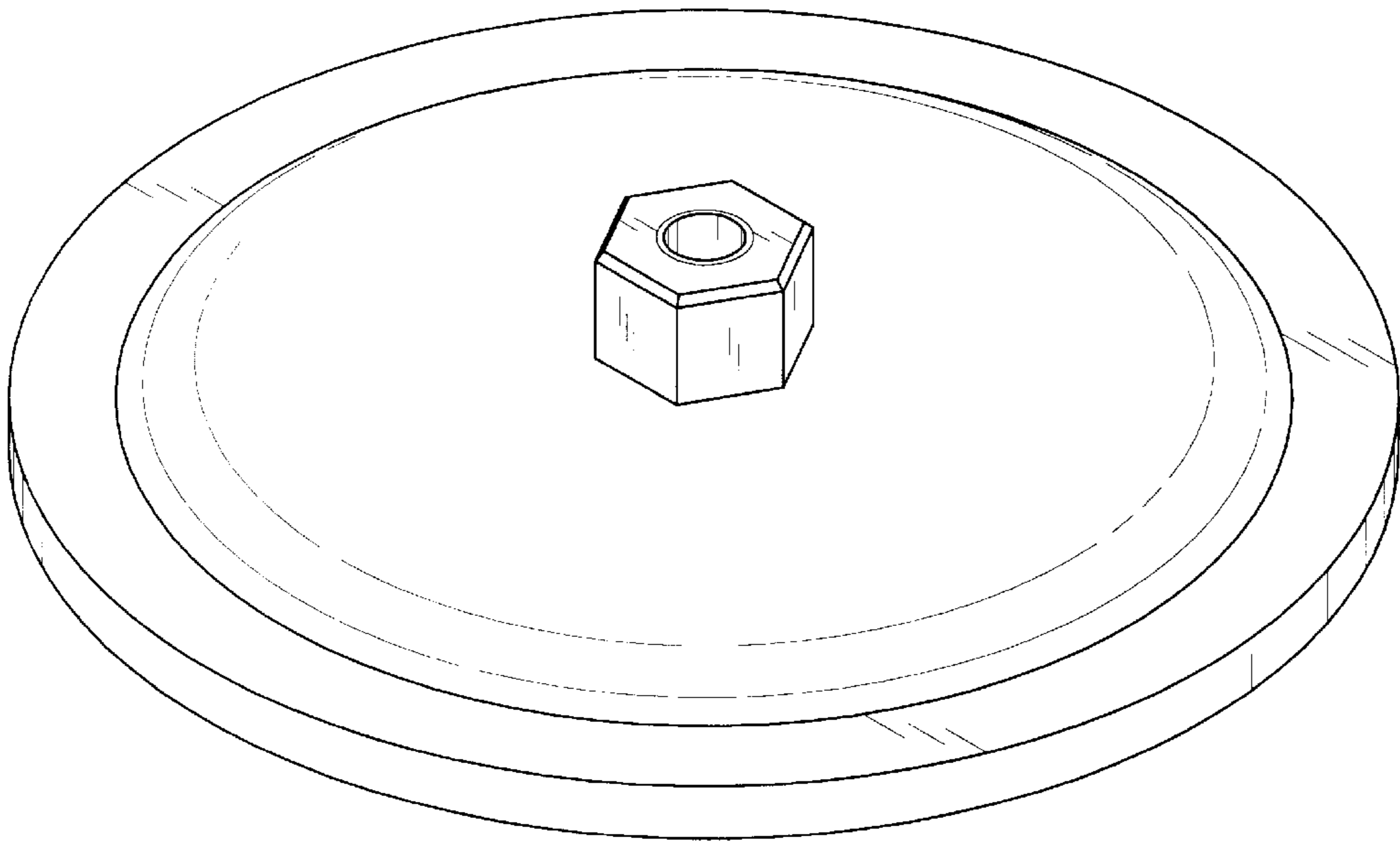


FIG. 7

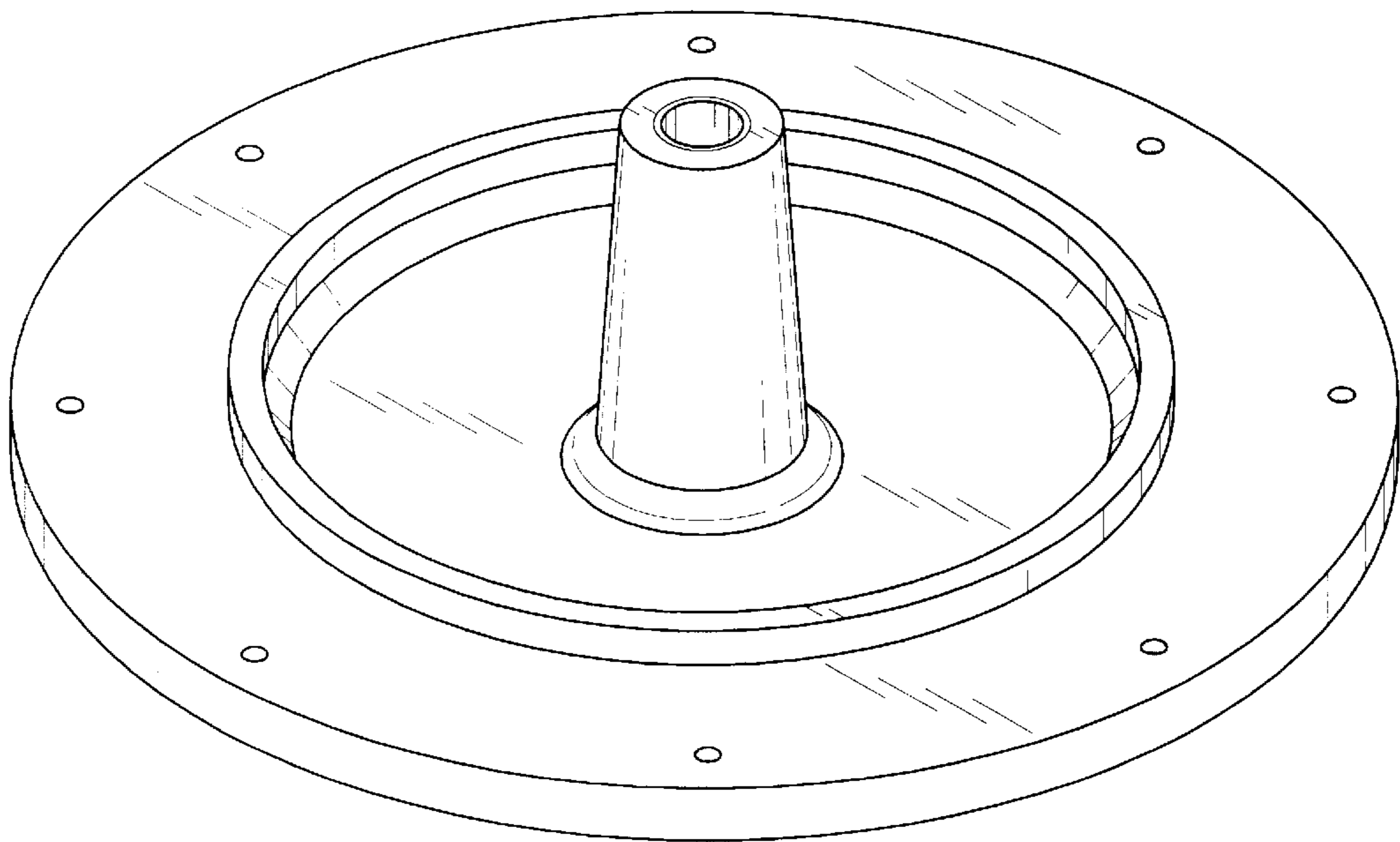


FIG. 8