



US00D462697S

(12) **United States Design Patent**  
**Huntley et al.**

(10) **Patent No.:** **US D462,697 S**

(45) **Date of Patent:** **\*\* Sep. 10, 2002**

(54) **ICON FOR AN ELECTROSURGICAL TISSUE RECOVERY INSTRUMENT**

*Primary Examiner*—M. H. Tung

(74) *Attorney, Agent, or Firm*—Mueller and Smith, LPA

(75) Inventors: **Scott P. Huntley**, Danville; **Andre de Salis**, Pasadena, both of CA (US)

(57) **CLAIM**

(73) Assignee: **Neothermia Corporation**, Natick, MA (US)

The ornamental design for an icon for an electrosurgical tissue recovery instrument, as shown and described.

(\*\*) Term: **14 Years**

**DESCRIPTION**

(21) Appl. No.: **29/144,939**

A portion of the disclosure of this patent document contains material to which a claim for copyright is made. The copyright owner has no objection to the facsimile reproduction by anyone of the patent document or patent disclosure, as it appears in the Patent and Trademark office patent file or records, but reserves all other copyright rights whatsoever.

(22) Filed: **Jul. 12, 2001**

(51) **LOC (7) Cl.** ..... **14-02**

(52) **U.S. Cl.** ..... **D14/489**

(58) **Field of Search** ..... D14/485-95; D18/24-33; D19/6; D20/11; D21/324-33; 345/700-726, 762-866

(56) **References Cited**

**U.S. PATENT DOCUMENTS**

D267,257 S \* 12/1982 Peraino

D385,545 S \* 10/1997 Levin

D425,079 S \* 5/2000 Yee

FIG. 1 is a perspective view of an icon for an electrosurgical tissue recovery instrument showing our new design; and,

FIG. 2 is a front view thereof, on an enlarged scale.

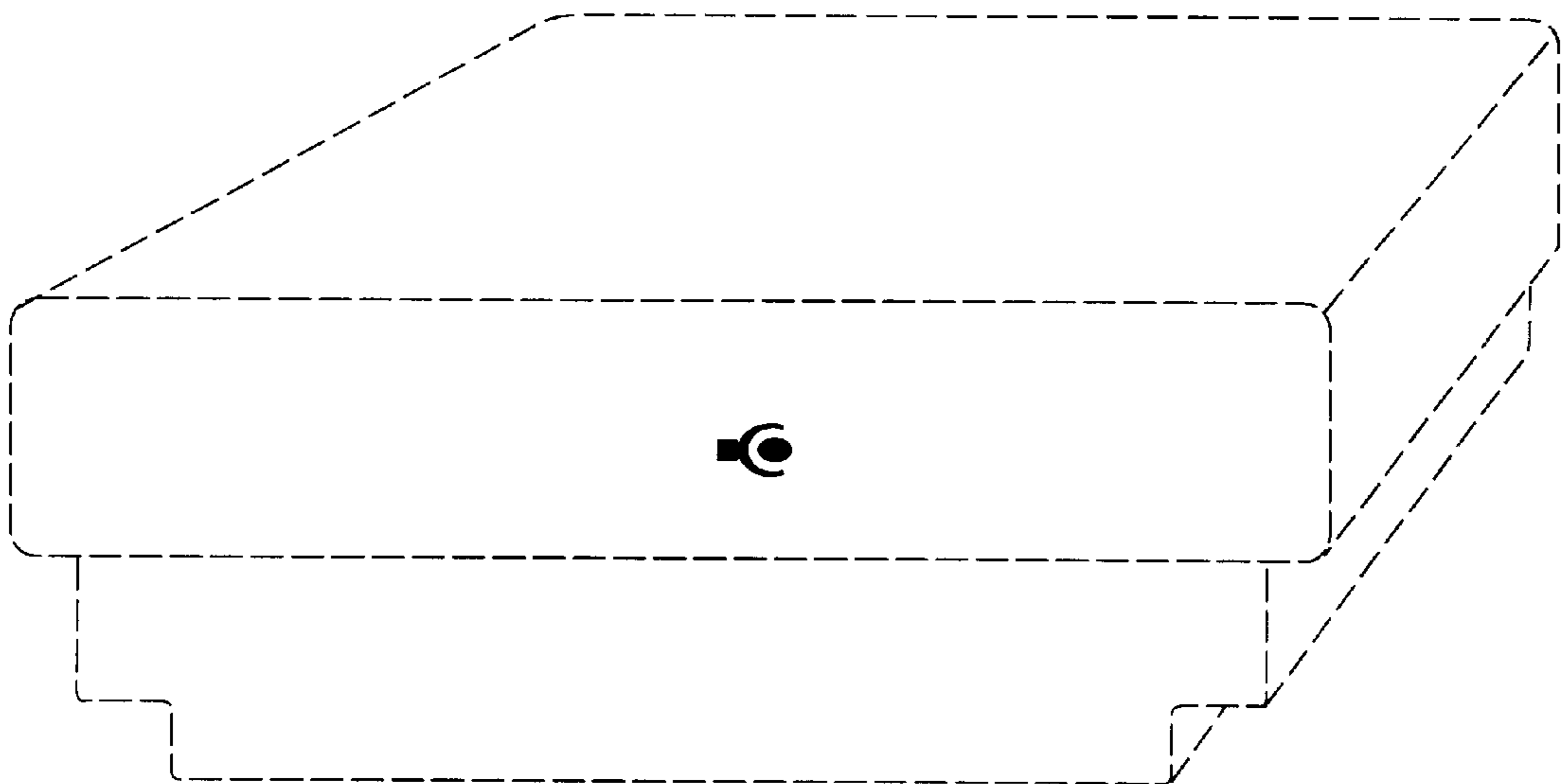
The broken line drawing of an electrosurgical tissue recovery instrument in both views is for illustrative purposes only and forms no part of the claimed design.

**OTHER PUBLICATIONS**

Symbol Sourcebook, Henry Dreyfuss, Van Nostrand Reinhold Co., cobalt symbol, p. 170, calx symbol, p. 221, 1972.\*

\* cited by examiner

**1 Claim, 1 Drawing Sheet**



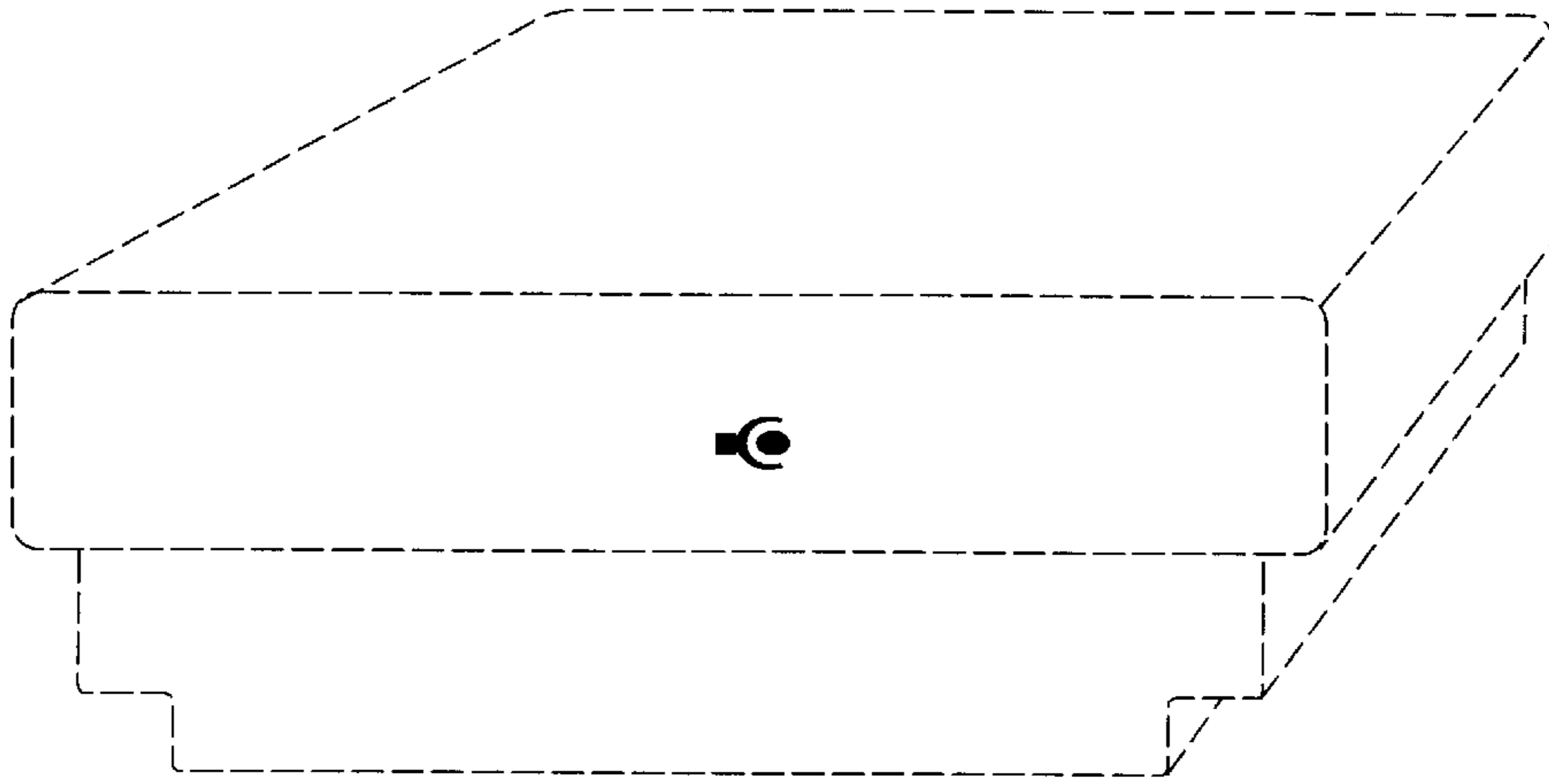


FIG. 1

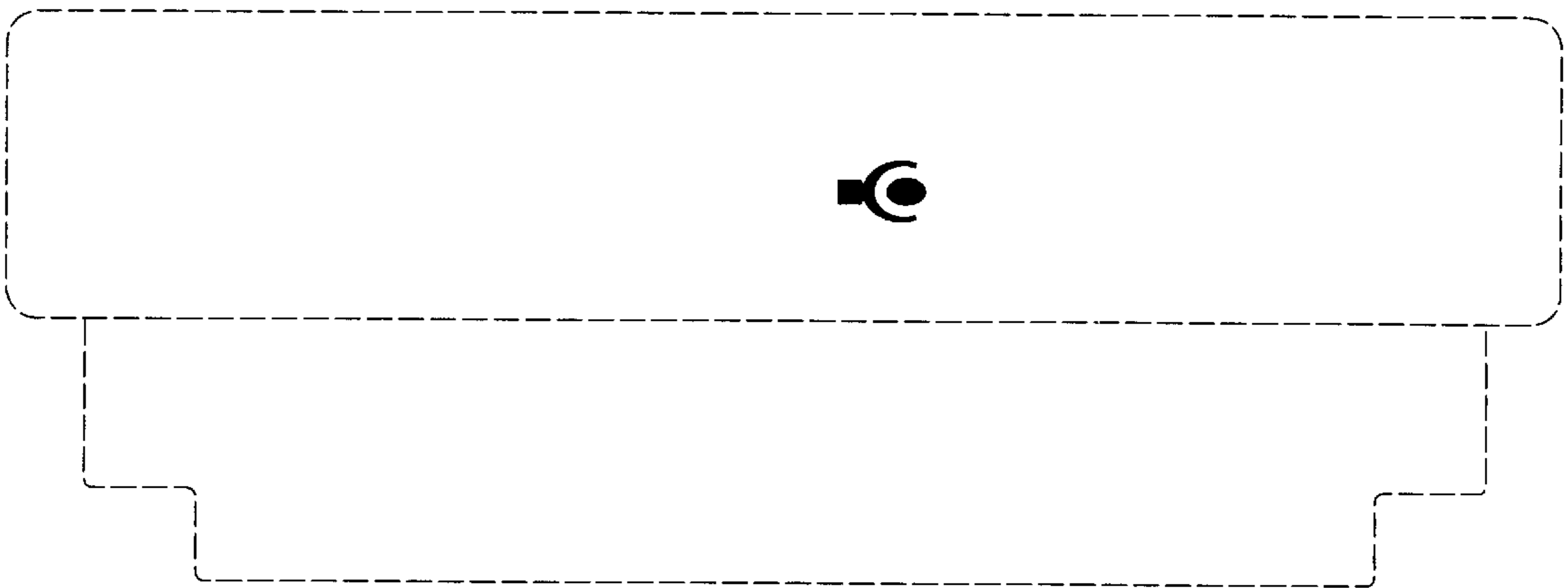


FIG. 2