



US00D462694S

(12) **United States Design Patent**  
**Bergstrom**

(10) **Patent No.:** **US D462,694 S**

(45) **Date of Patent:** **\*\* Sep. 10, 2002**

(54) **COMPONENT TAPE GUIDE**

5,967,365 A \* 10/1999 Bogursky et al. .... 206/713

(75) Inventor: **Johan Bergstrom**, Bromma (SE)

**FOREIGN PATENT DOCUMENTS**

(73) Assignee: **Mydata Automation AB**, Bromma (SE)

WO WO 00/38491 6/2000  
WO WO 00/38492 6/2000

(\*\*) Term: **14 Years**

\* cited by examiner

(21) Appl. No.: **29/141,749**

*Primary Examiner*—Prabhakar Deshmukh

(22) Filed: **May 14, 2001**

(74) *Attorney, Agent, or Firm*—Birch, Stewart, Kolasch & Birch, LLP

(51) **LOC (7) Cl.** ..... **14-99**

(57) **CLAIM**

(52) **U.S. Cl.** ..... **D14/483**

The ornamental design for a component tape guide, as shown and described.

(58) **Field of Search** ..... D14/483, 474,  
D14/299; 206/713–717; 226/108–112; 221/25,  
69–74; 242/370, 538–538.3, DIG. 1; 156/584,  
344, 259, 271; 198/345.1, 347.1

**DESCRIPTION**

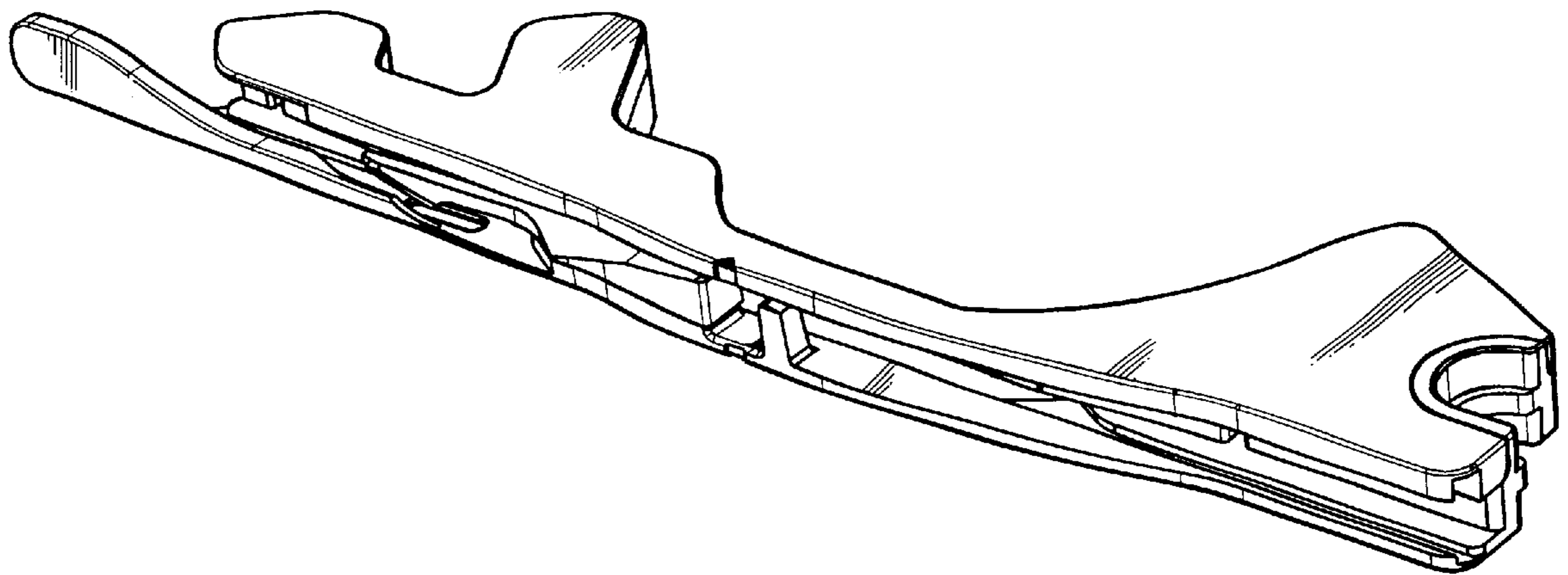
(56) **References Cited**

**U.S. PATENT DOCUMENTS**

3,552,590 A \* 1/1951 Zachmeler ..... 206/713  
3,012,662 A \* 12/1961 Kulka ..... D14/483 X  
D285,212 S \* 8/1986 Lee ..... D14/483  
5,299,902 A \* 4/1994 Fujiwara et al. .... 221/25  
5,328,317 A \* 7/1994 Nasui et al. .... 198/345.1  
5,419,802 A \* 5/1995 Nakatsuka et al. .... 221/73  
5,515,600 A \* 5/1996 Iwasaki et al. .... 206/713  
5,725,140 A \* 3/1998 Weber et al. .... 226/139

FIG. 1 is a top, front perspective view of a component tape guide showing my new design;  
FIG. 2 is a bottom, front perspective view thereof;  
FIG. 3 is a front elevational view thereof;  
FIG. 4 a left side elevational view thereof;  
FIG. 5 is a bottom plan view thereof;  
FIG. 6 is a right side elevational view thereof;  
FIG. 7 is a rear elevational view thereof; and,  
FIG. 8 is a top plan view thereof.

**1 Claim, 2 Drawing Sheets**



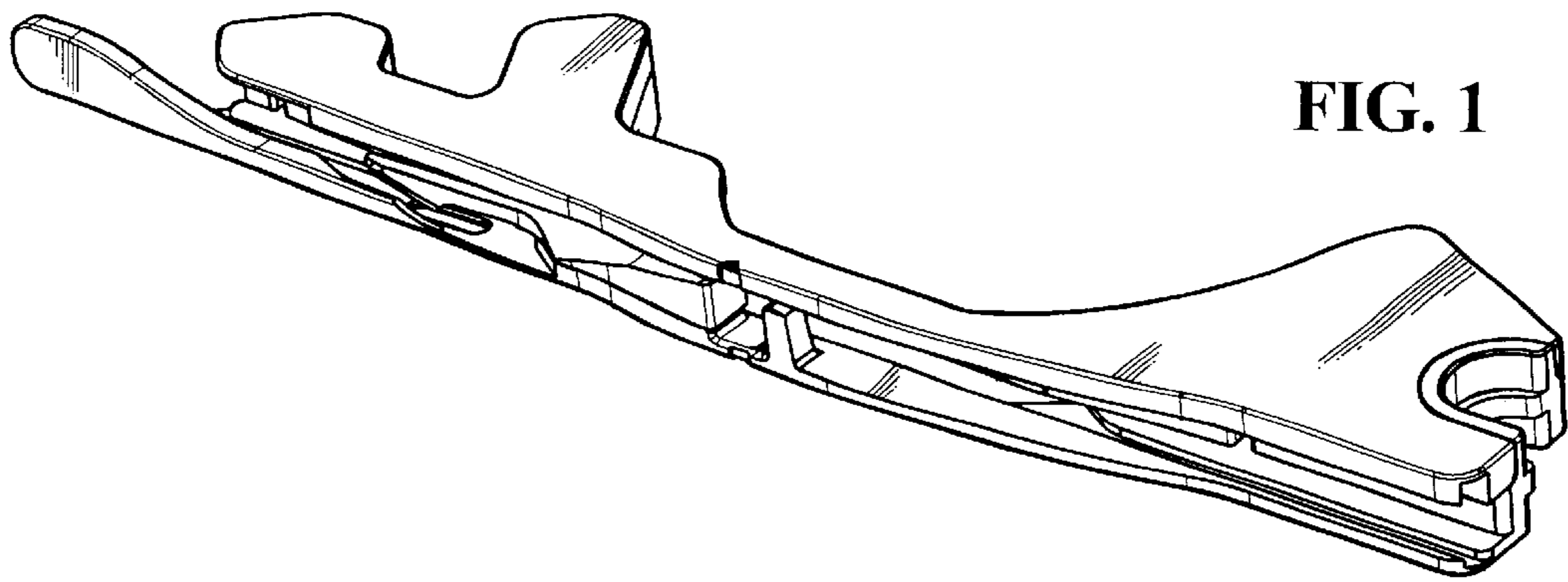


FIG. 1

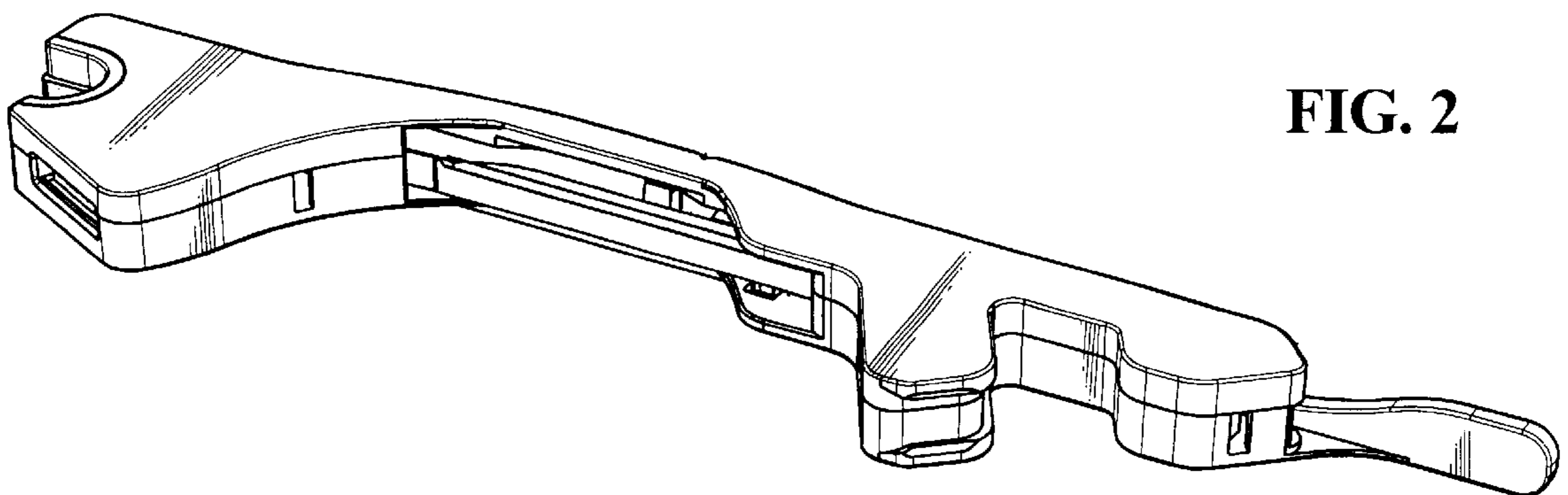


FIG. 2

FIG. 3

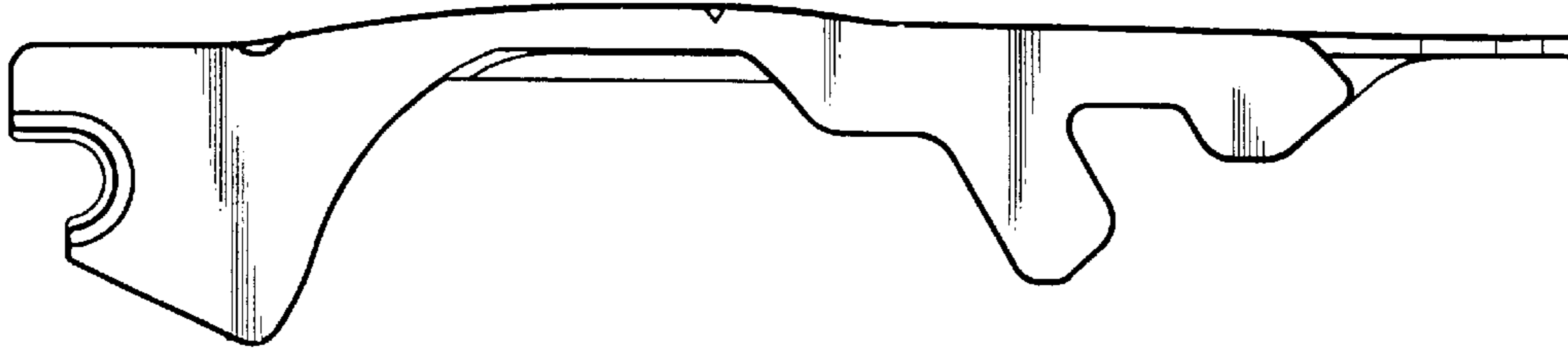


FIG. 4

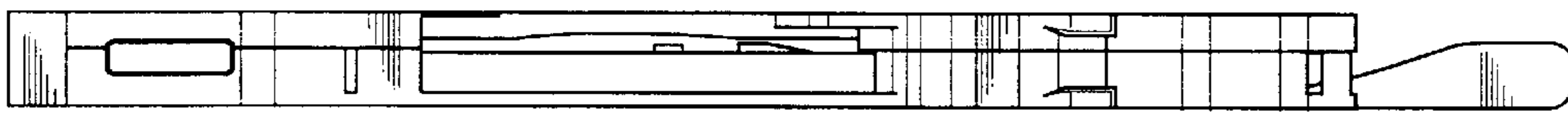


FIG. 5

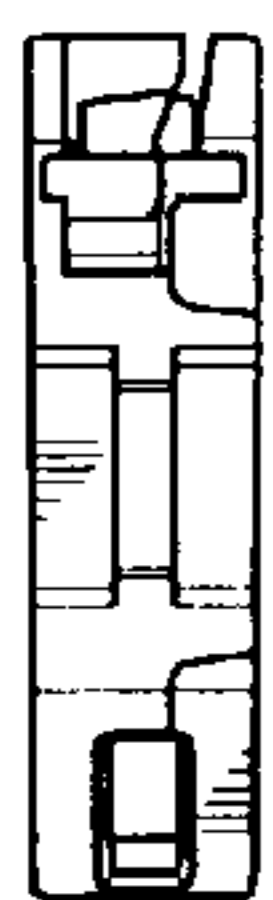


FIG. 6

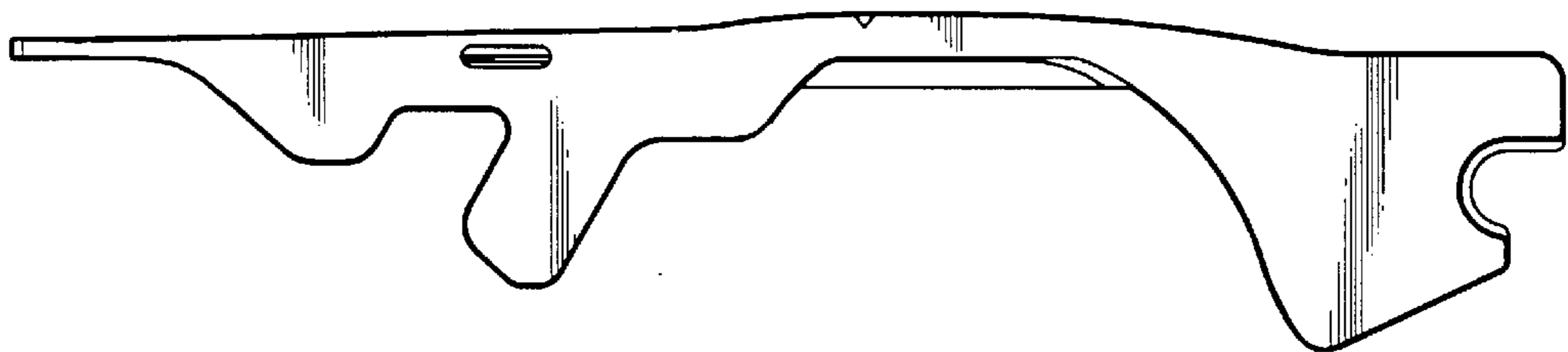


FIG. 7



FIG. 8