



US00D462693S

(12) **United States Design Patent**
Lewtan

(10) **Patent No.:** **US D462,693 S**

(45) **Date of Patent:** **** Sep. 10, 2002**

- (54) **MOUSE PAD BOTTOM**
- (75) Inventor: **Marvin Lewtan**, Hartford, CT (US)
- (73) Assignee: **Lewtan Industries Corporation**,
Hartford, CT (US)
- (**) Term: **14 Years**

D338,195 S	8/1993	Sugerman	D14/114
D342,243 S	12/1993	Land	D14/114
D343,821 S	2/1994	Bush et al.	D14/114 X
D347,422 S	5/1994	Taslitz	D14/114
D355,647 S	2/1995	Gresko	D14/114
D370,474 S	6/1996	Kirchhoff et al.	D14/114
D372,903 S	8/1996	Juster	D14/114
D408,388 S	4/1999	Wiggins	D14/455
D447,488 S	9/2001	Lewtan	D14/459

- (21) Appl. No.: **29/147,450**
- (22) Filed: **Aug. 30, 2001**

Primary Examiner—Kay H. Chin
(74) *Attorney, Agent, or Firm*—Greenblum & Bernstein,
P.L.C.

Related U.S. Application Data

- (62) Division of application No. 29/086,566, filed on Apr. 15, 1998, now Pat. No. Des. 447,488, and a division of application No. 29/128,163, filed on Aug. 21, 2000.
- (51) **LOC (7) Cl.** **14-02**
- (52) **U.S. Cl.** **D14/458**
- (58) **Field of Search** D14/458, 459,
D14/460, 455-457; D6/582-594, 601; 248/118.1,
346.01, 917-924, 118.3, 118.5; 400/689-693,
715; 428/85, 90, 95, 96, 318.6, 319.3; 345/156-167;
D21/809

(57) **CLAIM**

I claim the ornamental design for a mouse pad bottom, as shown and described.

DESCRIPTION

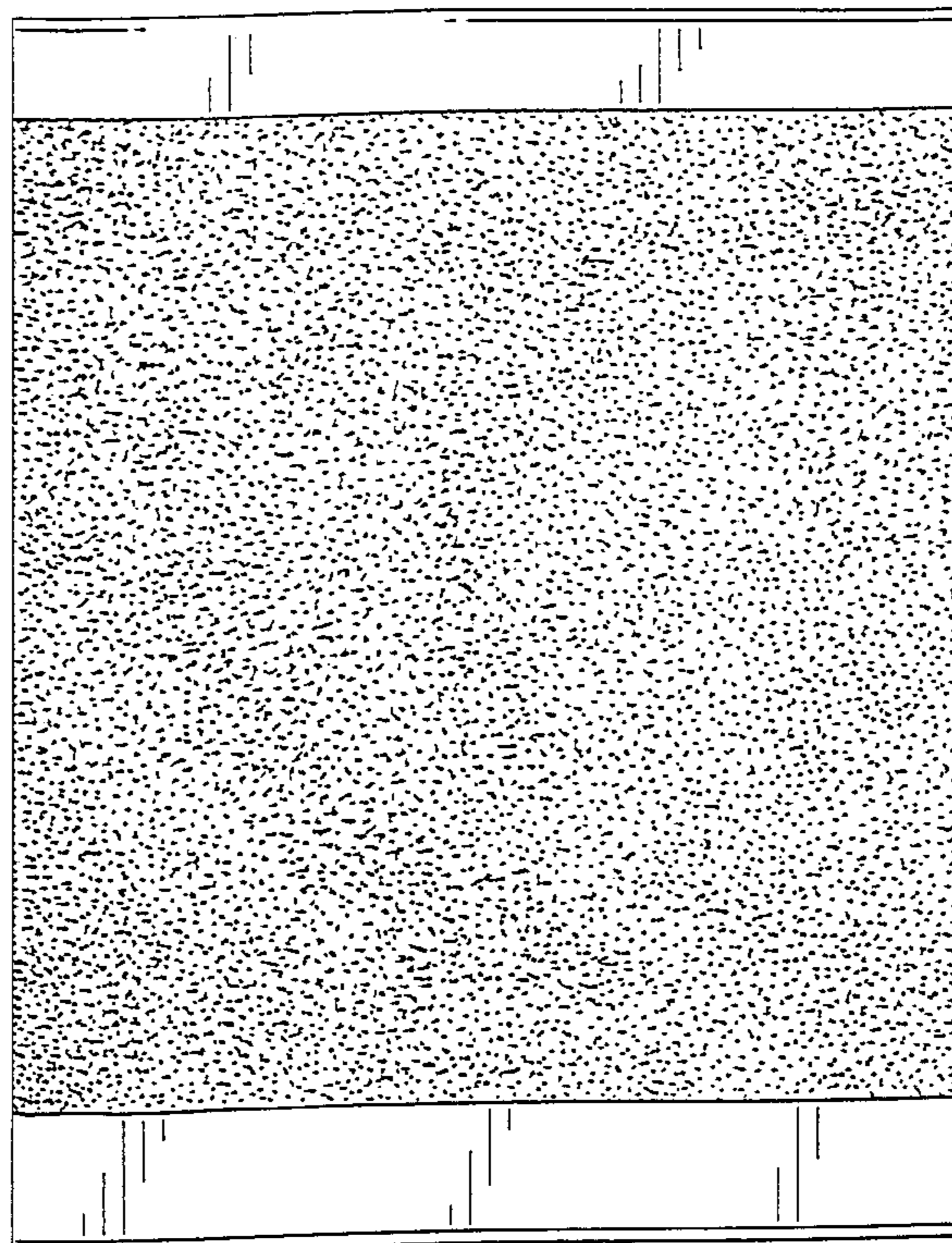
FIG. 1 is a first embodiment of the mouse pad bottom showing my new design;
 FIG. 2 is a second embodiment of the mouse pad bottom;
 FIG. 3 is a third embodiment of the mouse pad bottom; and,
 FIG. 4 is a top perspective view of the mouse pad for which the bottom views are shown in FIGS. 1, 2, and 3.
 The broken line illustration in FIG. 4 indicates environmental structure of the mouse pad and is not considered part of the claimed design.
 In particular respective species of the embodiments of the design shown in each FIGS. 1-3, the front and rear end portions represent fabric covering portions, and the intermediate portion between the front and rear end portions represent a surface of compressible foam.

(56) **References Cited**

U.S. PATENT DOCUMENTS

D209,118 S	10/1967	Grube	D24/206
D306,473 S	3/1990	Scheurer	D21/237
D309,169 S	7/1990	Scheurer	D21/237
5,131,614 A	7/1992	Garcia et al.	248/118
D328,598 S	8/1992	Massey	D14/114
5,228,655 A	7/1993	Garcia et al.	248/118

1 Claim, 4 Drawing Sheets



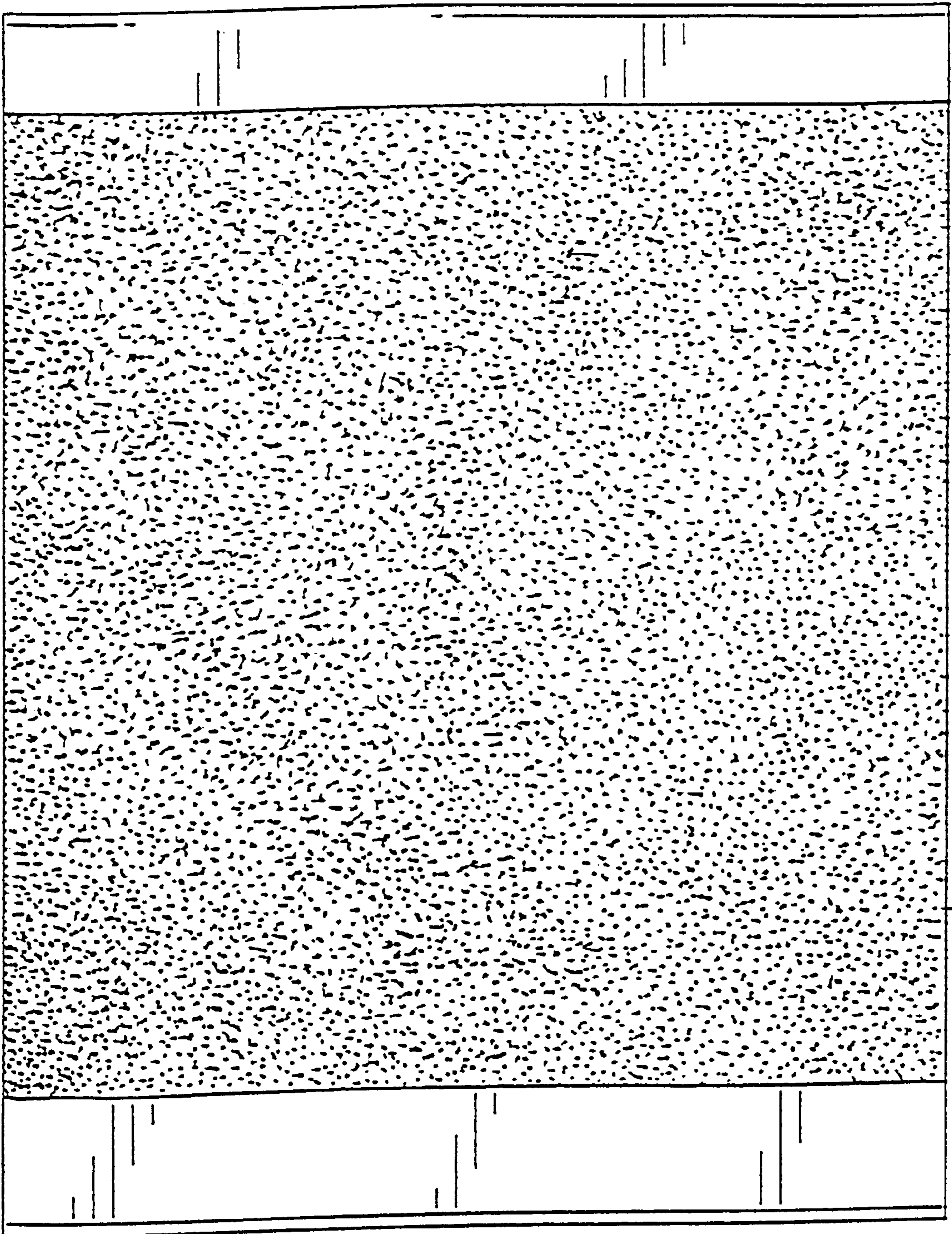


FIG. 1

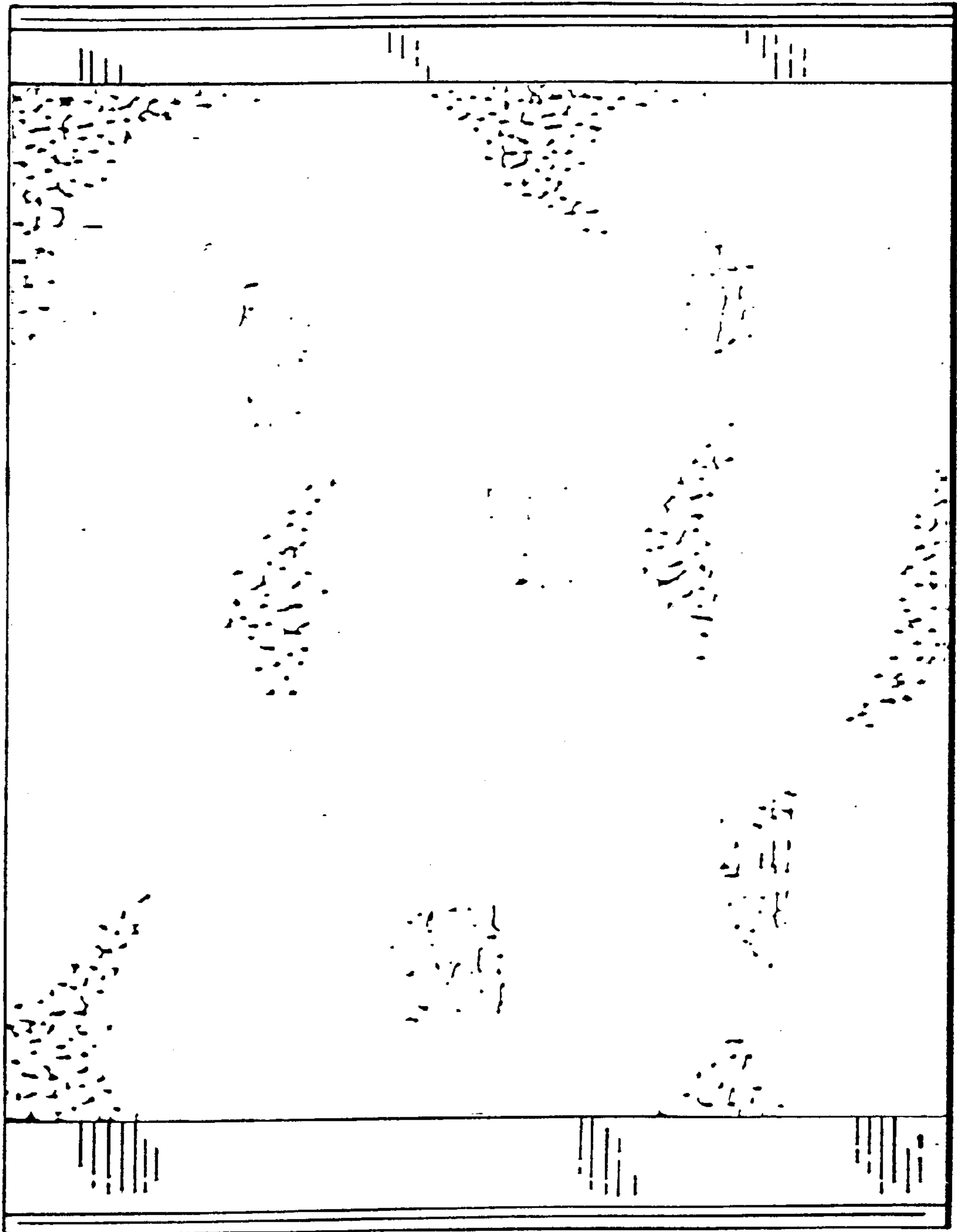


FIG. 2

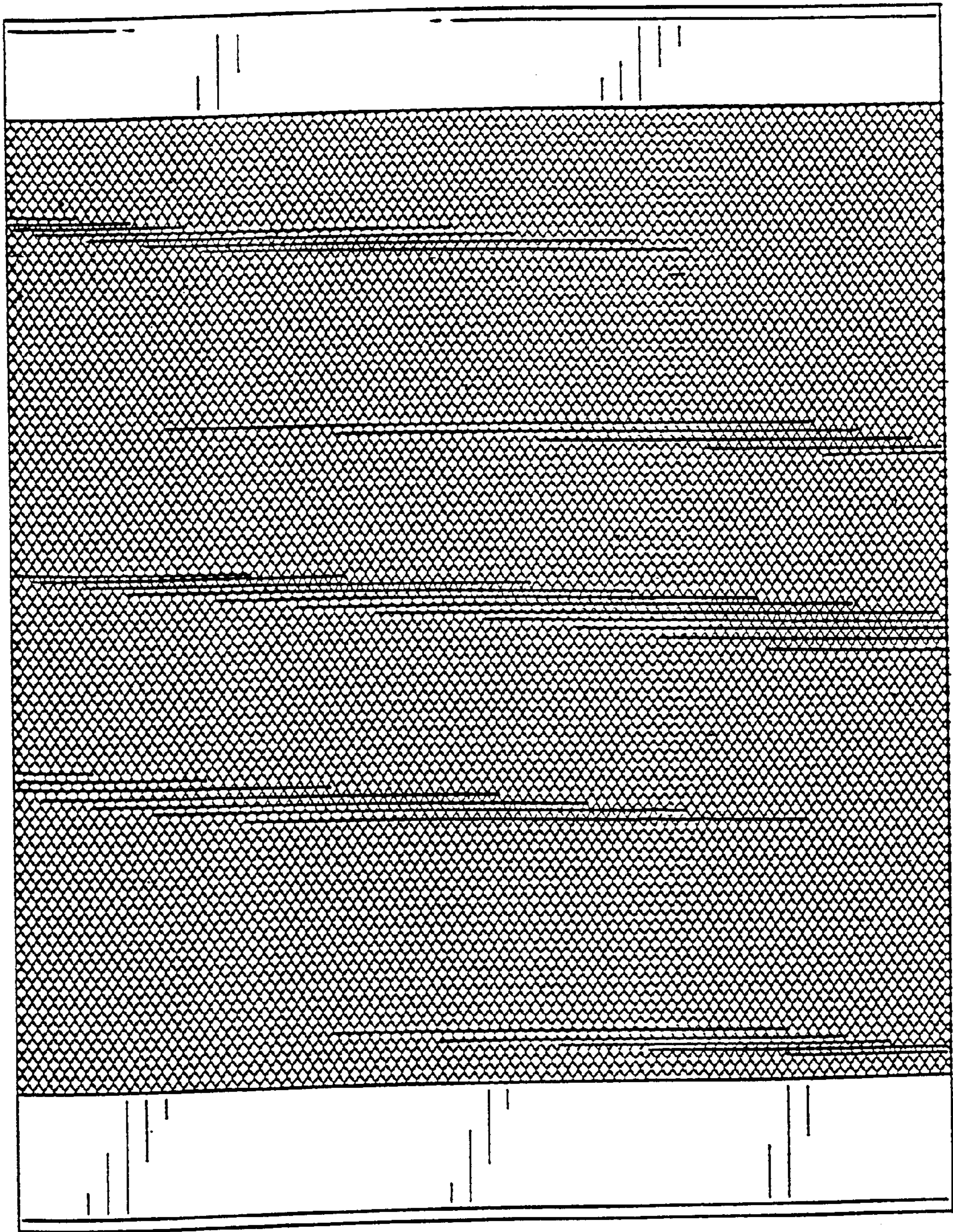


FIG. 3

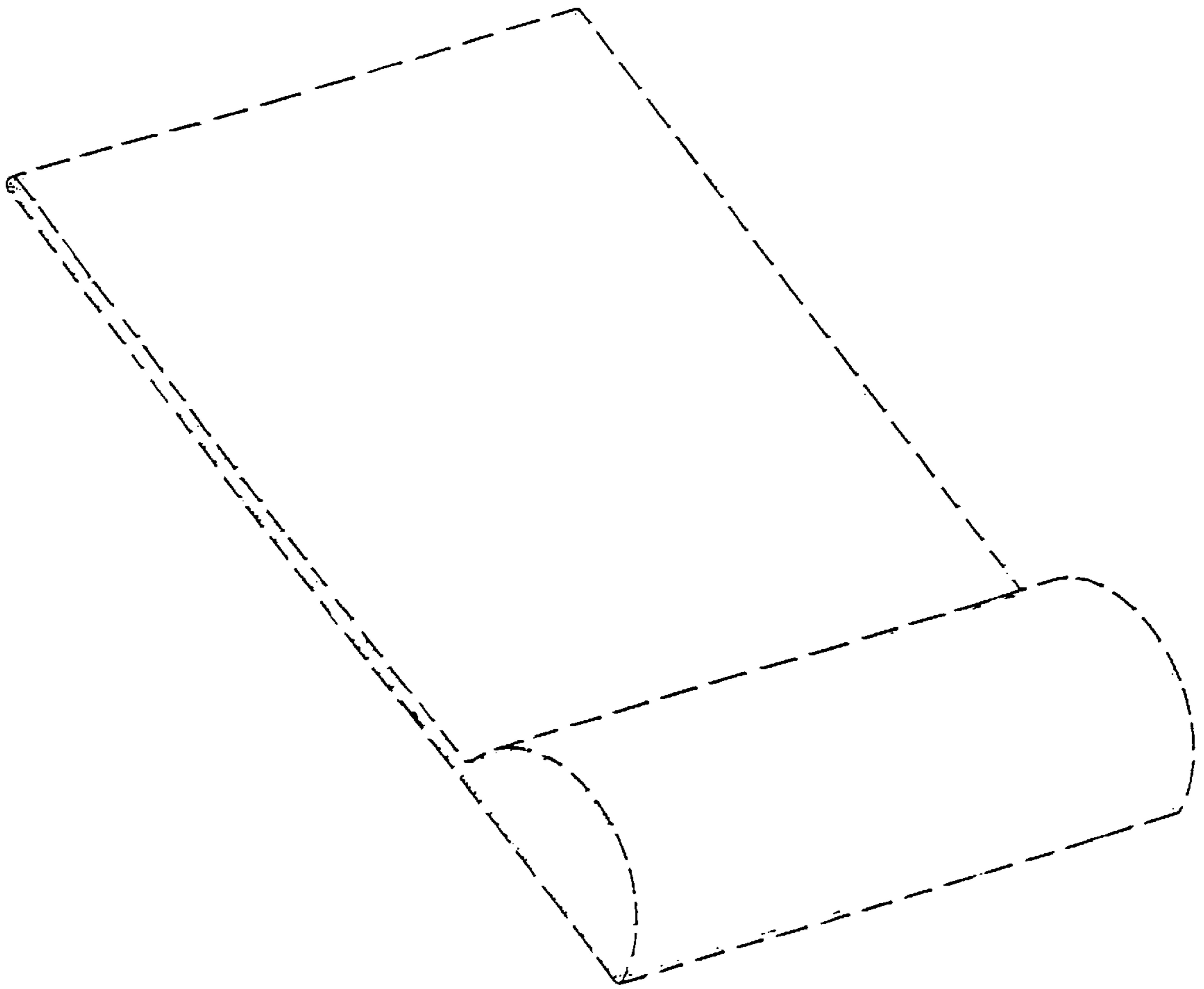


FIG. 4