



US00D462689S

(12) **United States Design Patent**  
**Moran**

(10) **Patent No.:** **US D462,689 S**

(45) **Date of Patent:** **\*\* Sep. 10, 2002**

(54) **UNIVERSAL SERIAL BUS APPARATUS**

(75) Inventor: **Dov Moran**, Kfar Saba (IL)

(73) Assignee: **M-Systems Flash Disk Pioneers LTD**,  
Kfar Saba (IL)

(\*\*) Term: **14 Years**

(21) Appl. No.: **29/142,994**

(22) Filed: **Jun. 7, 2001**

(30) **Foreign Application Priority Data**

Dec. 7, 2000 (IL) ..... 34496

(51) **LOC (7) Cl.** ..... **14-02**

(52) **U.S. Cl.** ..... **D14/433**

(58) **Field of Search** ..... D14/432, 433,  
D14/434; D13/147; 439/607-10, 101, 108;  
361/728, 622; D19/43

(56) **References Cited**

**U.S. PATENT DOCUMENTS**

D331,070 S \* 11/1992 Hu Huang

5,725,395 A \* 3/1998 Lee  
D414,204 S \* 9/1999 Reichmann  
D416,007 S \* 11/1999 Cavello  
D439,613 S \* 3/2001 Ham  
D443,859 S \* 6/2001 Hogan  
D436,109 S \* 9/2001 Tong et al.

\* cited by examiner

*Primary Examiner*—M. H. Tung

(74) *Attorney, Agent, or Firm*—D'vorah Graeser

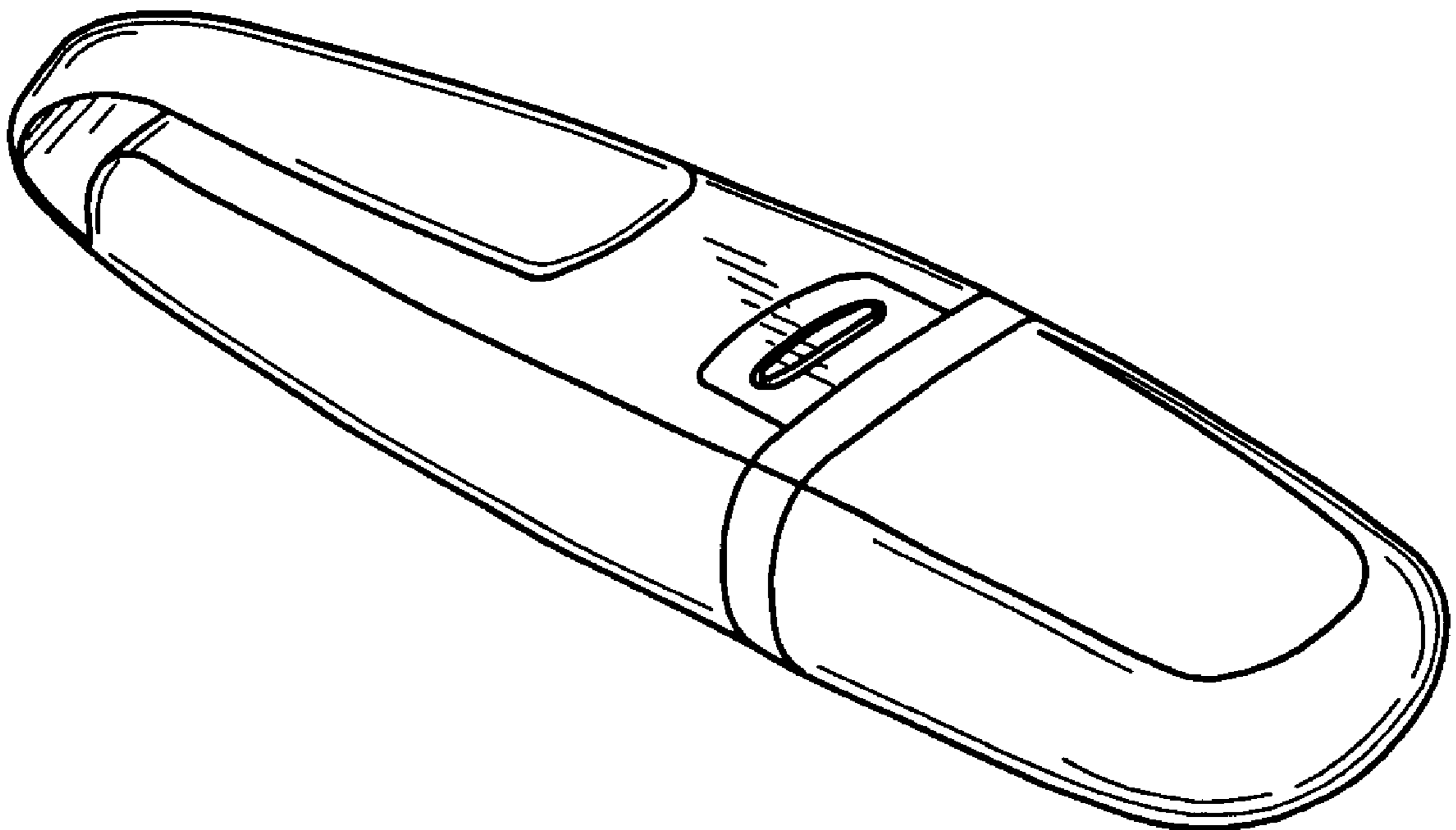
(57) **CLAIM**

The ornamental design for a universal serial bus apparatus,  
as shown and described.

**DESCRIPTION**

FIG. 1 is a top view;  
FIG. 2 is a left end view;  
FIG. 3 is a right end view;  
FIG. 4 is a left side view;  
FIG. 5 is a bottom view;  
FIG. 6 is a right side view; and,  
FIG. 7 is a perspective view.

**1 Claim, 2 Drawing Sheets**



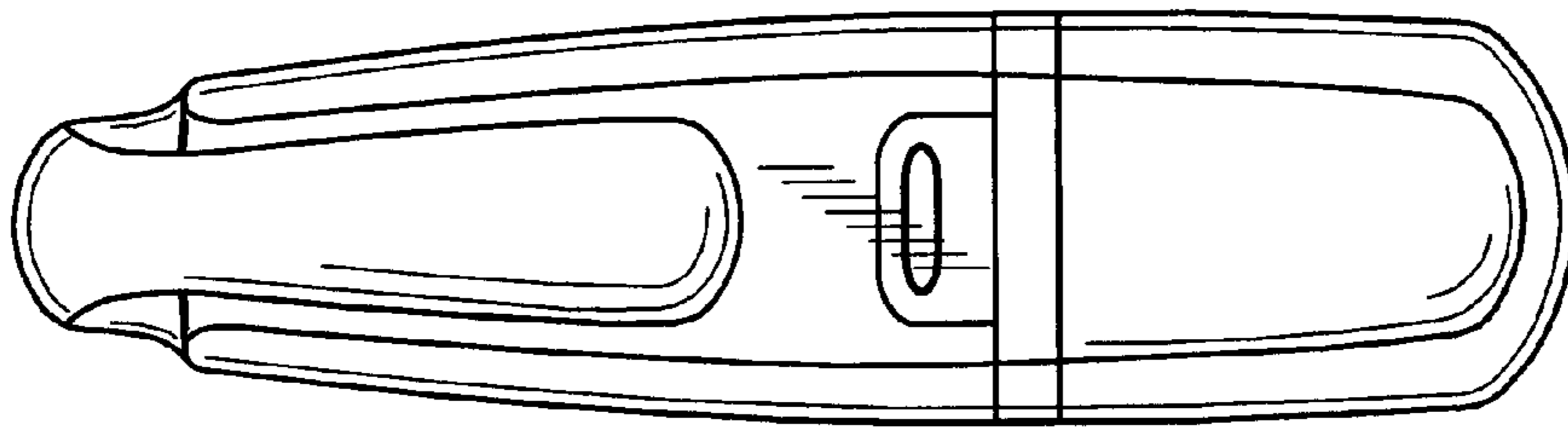


FIG.1

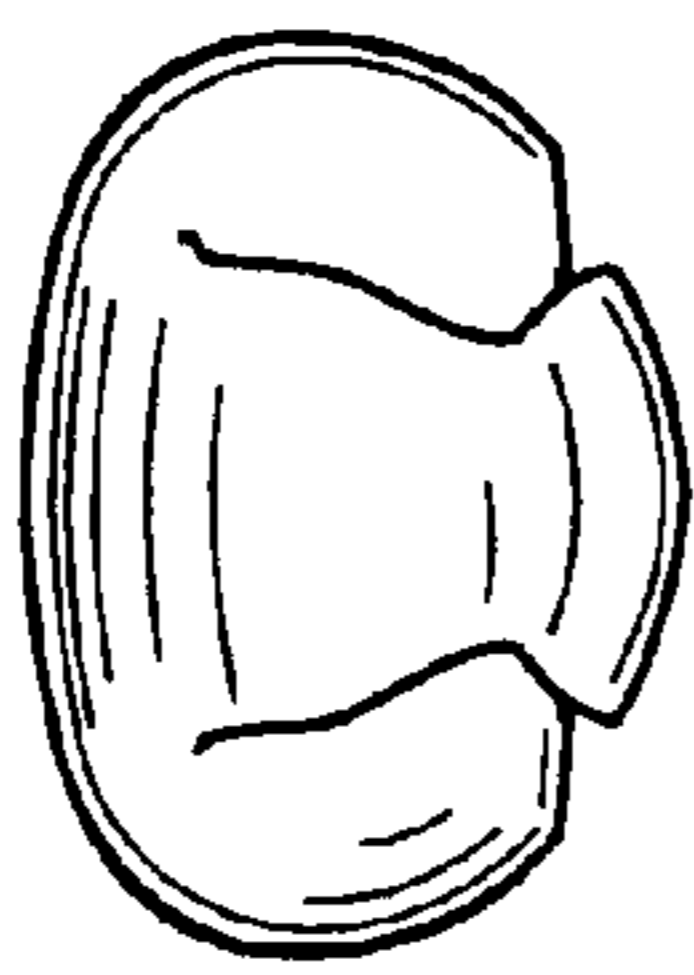


FIG.2

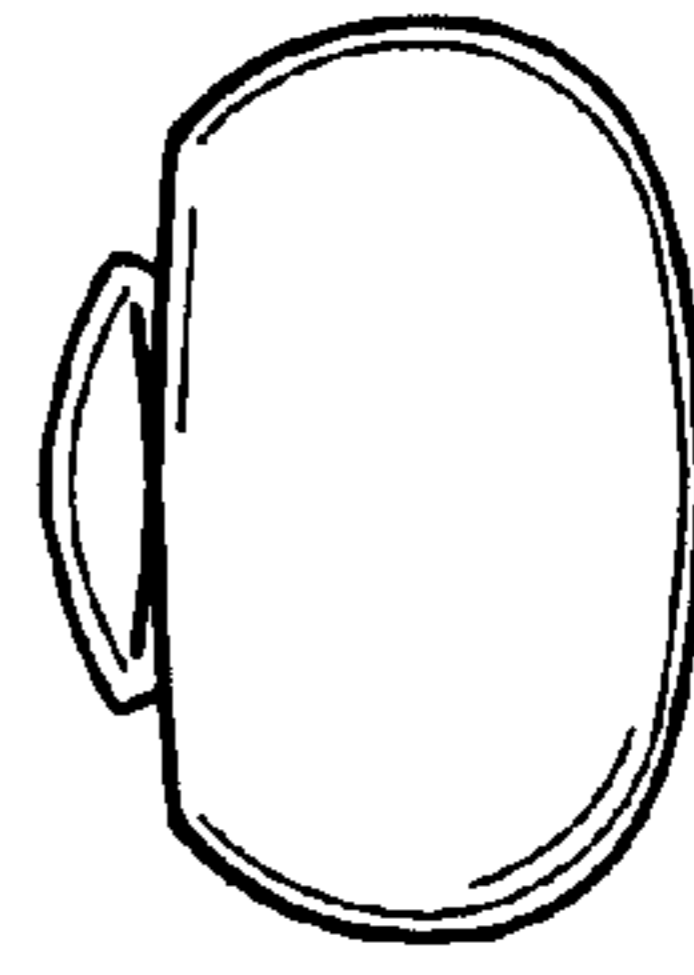


FIG.3



FIG.4

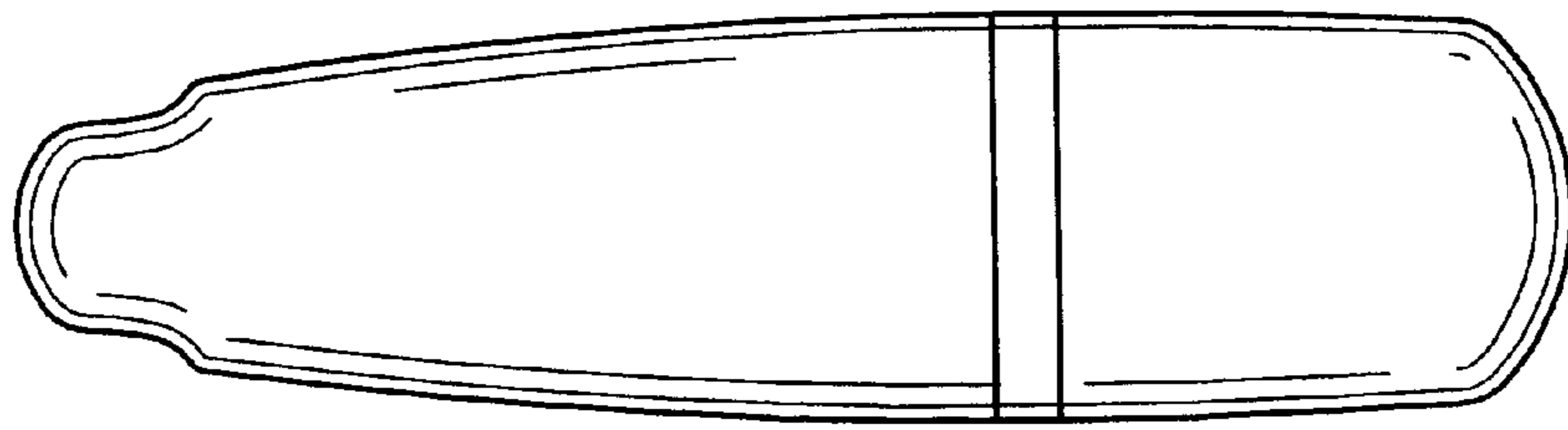


FIG. 5

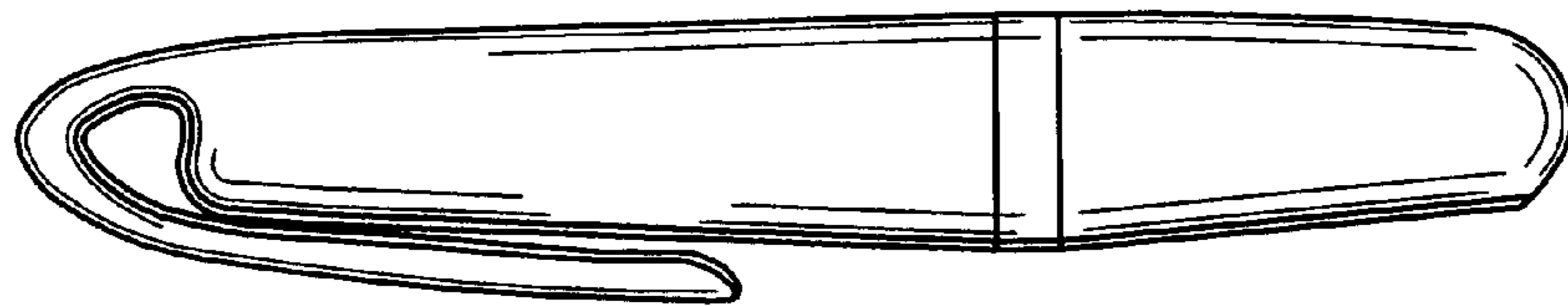


FIG. 6

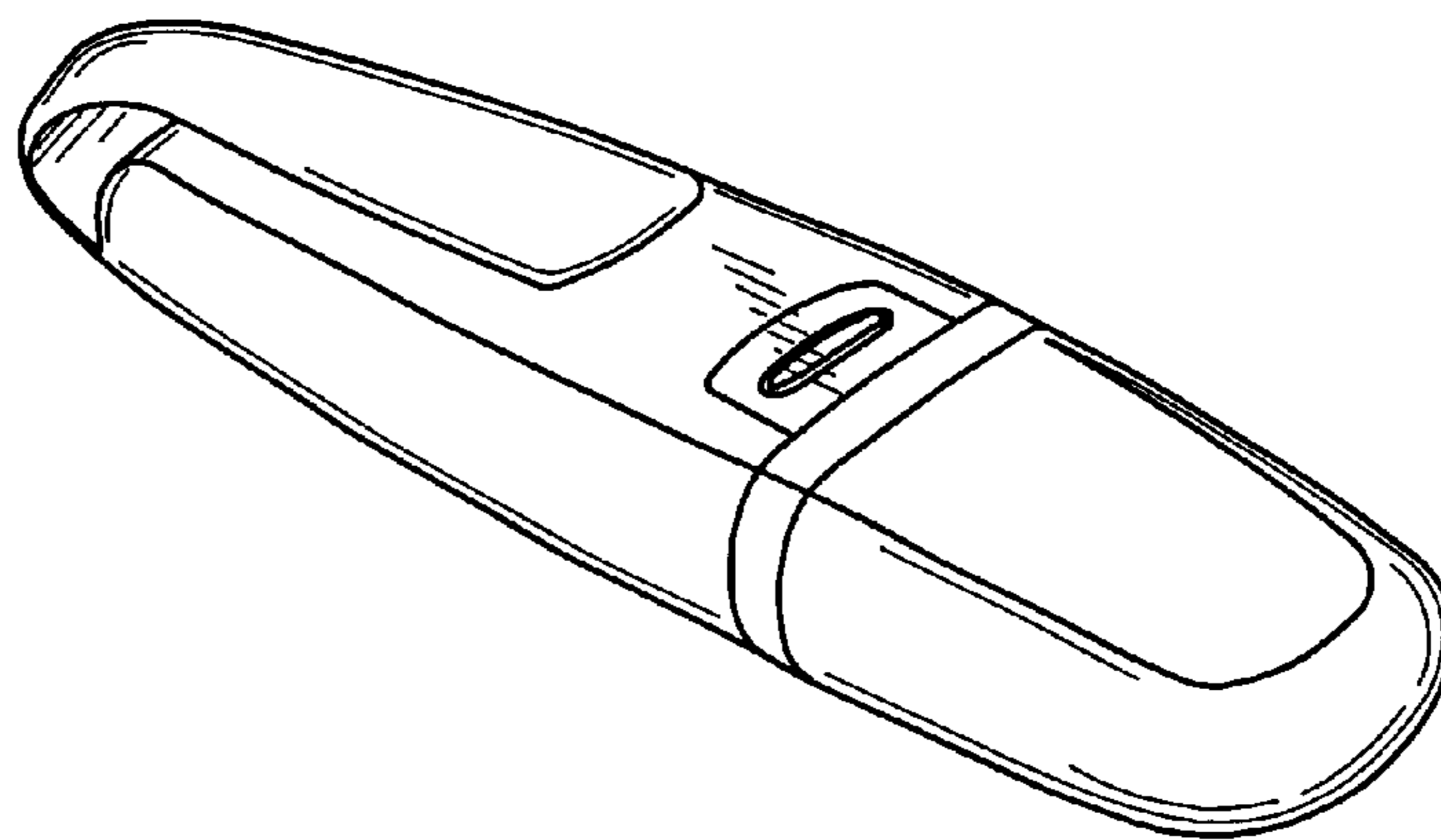


FIG. 7