



US00D462688S

(12) **United States Design Patent**
Schieffers et al.

(10) **Patent No.:** **US D462,688 S**

(45) **Date of Patent:** **** Sep. 10, 2002**

(54) **OPTICAL SCANNER**

(75) Inventors: **Jorg Schieffers**, Setauket, NY (US);
Alistair Hamilton, Stony Brook, NY
(US); **Alexander Breytman**, Bellmore,
NY (US)

(73) Assignee: **Symbol Technologies, Inc.**, Holtsville,
NY (US)

(**) Term: **14 Years**

(21) Appl. No.: **29/155,364**

(22) Filed: **Feb. 6, 2002**

(51) **LOC (7) Cl.** **14-02**

(52) **U.S. Cl.** **D14/427; D14/420**

(58) **Field of Search** D14/420, 426-431;
D19/41-51; 235/375, 378, 385, 454, 462,
472, 486; 354/80.2; 382/58-69; 250/203.1,
216, 566, 568; D26/37, 45, 50

(56) **References Cited**

U.S. PATENT DOCUMENTS

D335,662 S * 5/1993 Shepard D14/426

D342,245 S * 12/1993 Krichever et al. D14/426

5,587,577 A * 12/1996 Schultz 235/472

D377,348 S * 1/1997 Karlin D14/427

D391,250 S * 2/1998 Swift et al. D14/427

* cited by examiner

Primary Examiner—Kay H. Chin

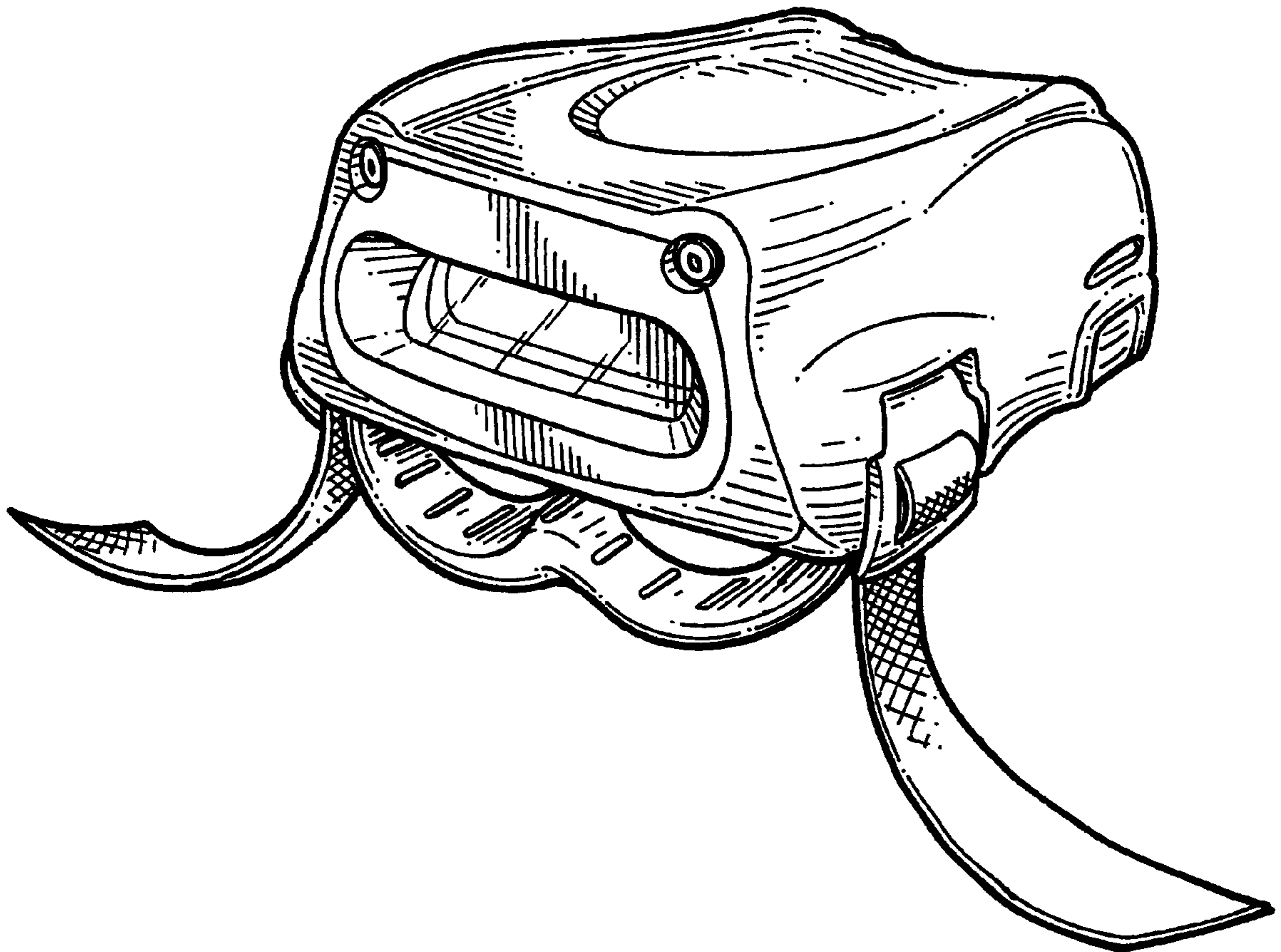
(57) **CLAIM**

The ornamental design for an optical scanner, as shown and described.

DESCRIPTION

FIG. 1 is a front perspective view of an optical scanner;
FIG. 2 is a front elevational view thereof;
FIG. 3 is a back elevational view thereof;
FIG. 4 is a left-side elevational view thereof.
FIG. 5 is a right-side elevational view thereof;
FIG. 6 is a top plan view thereof; and,
FIG. 7 is a bottom plan view thereof.

1 Claim, 5 Drawing Sheets



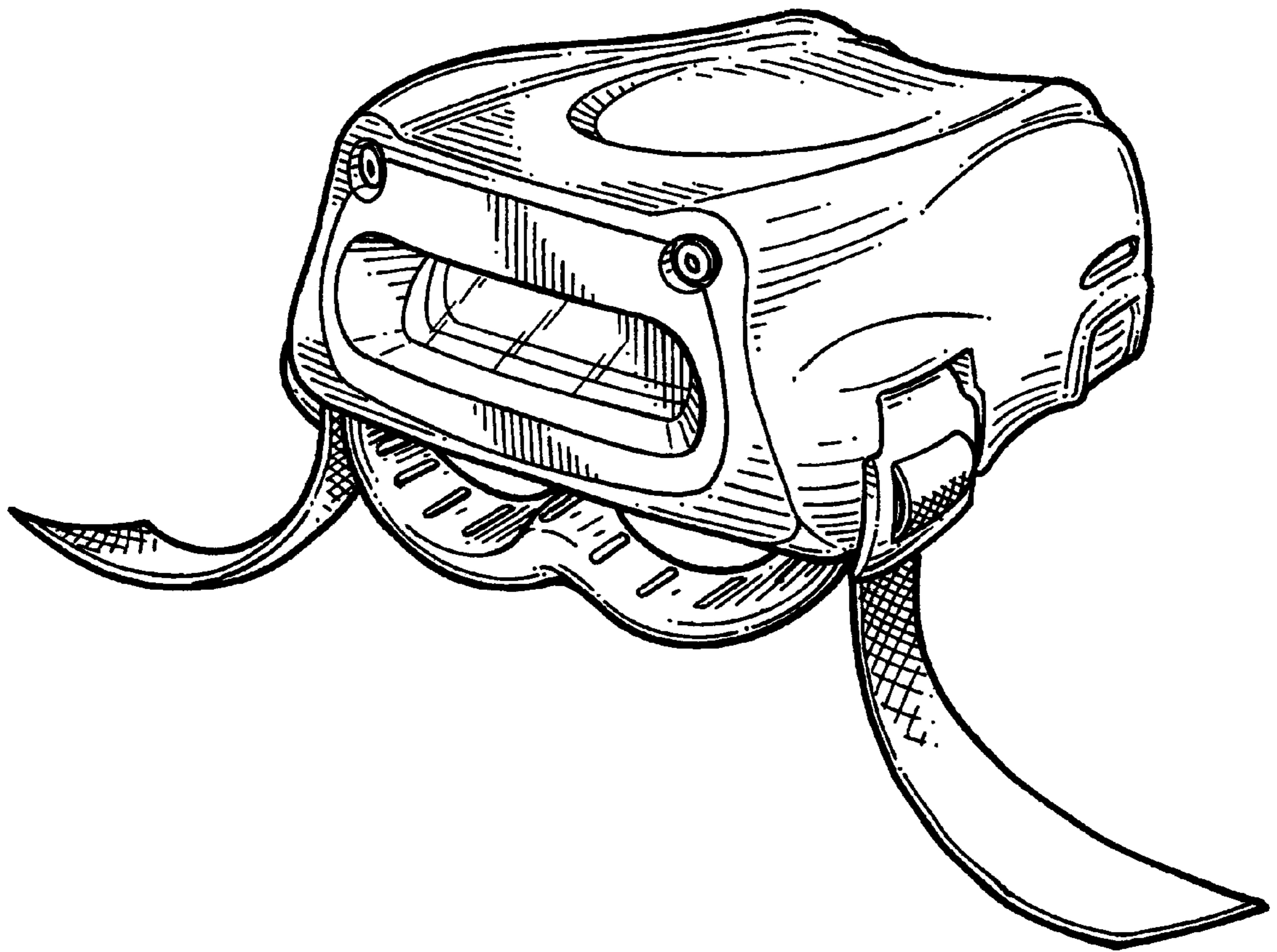


FIG. 1

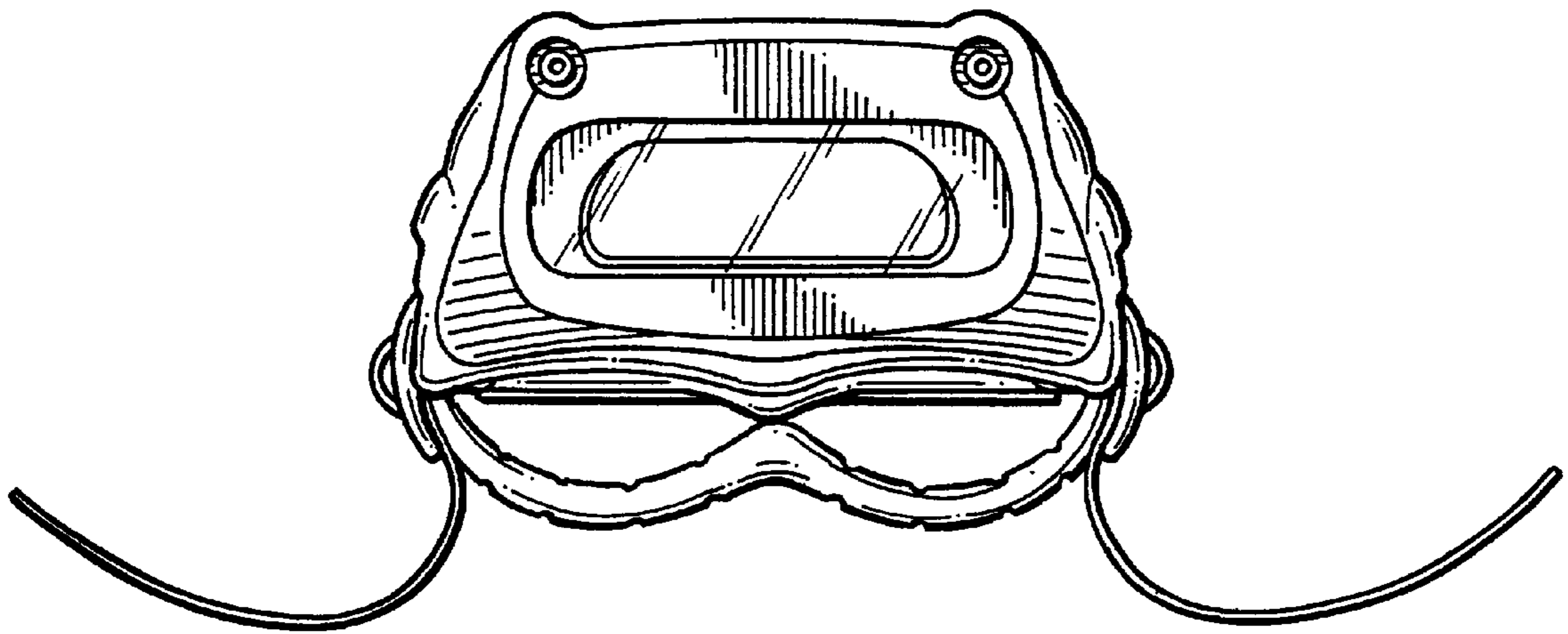


FIG. 2

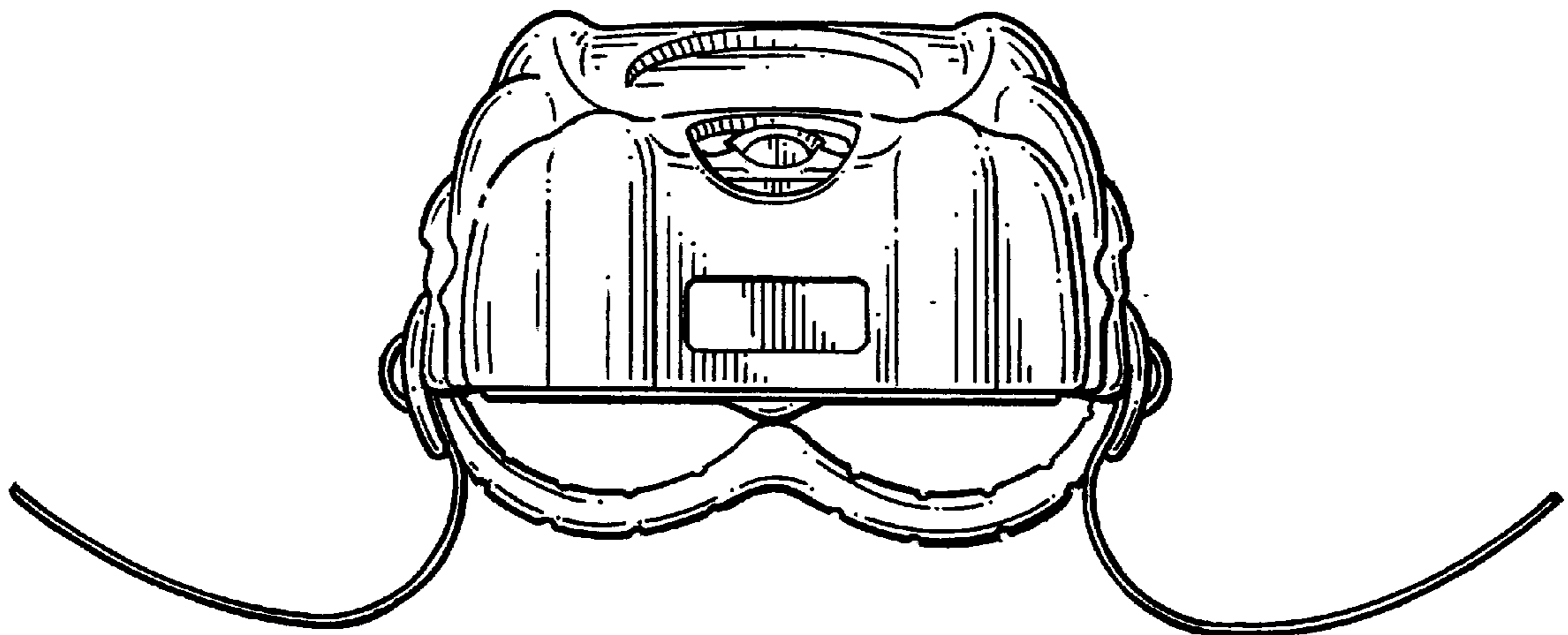


FIG. 3

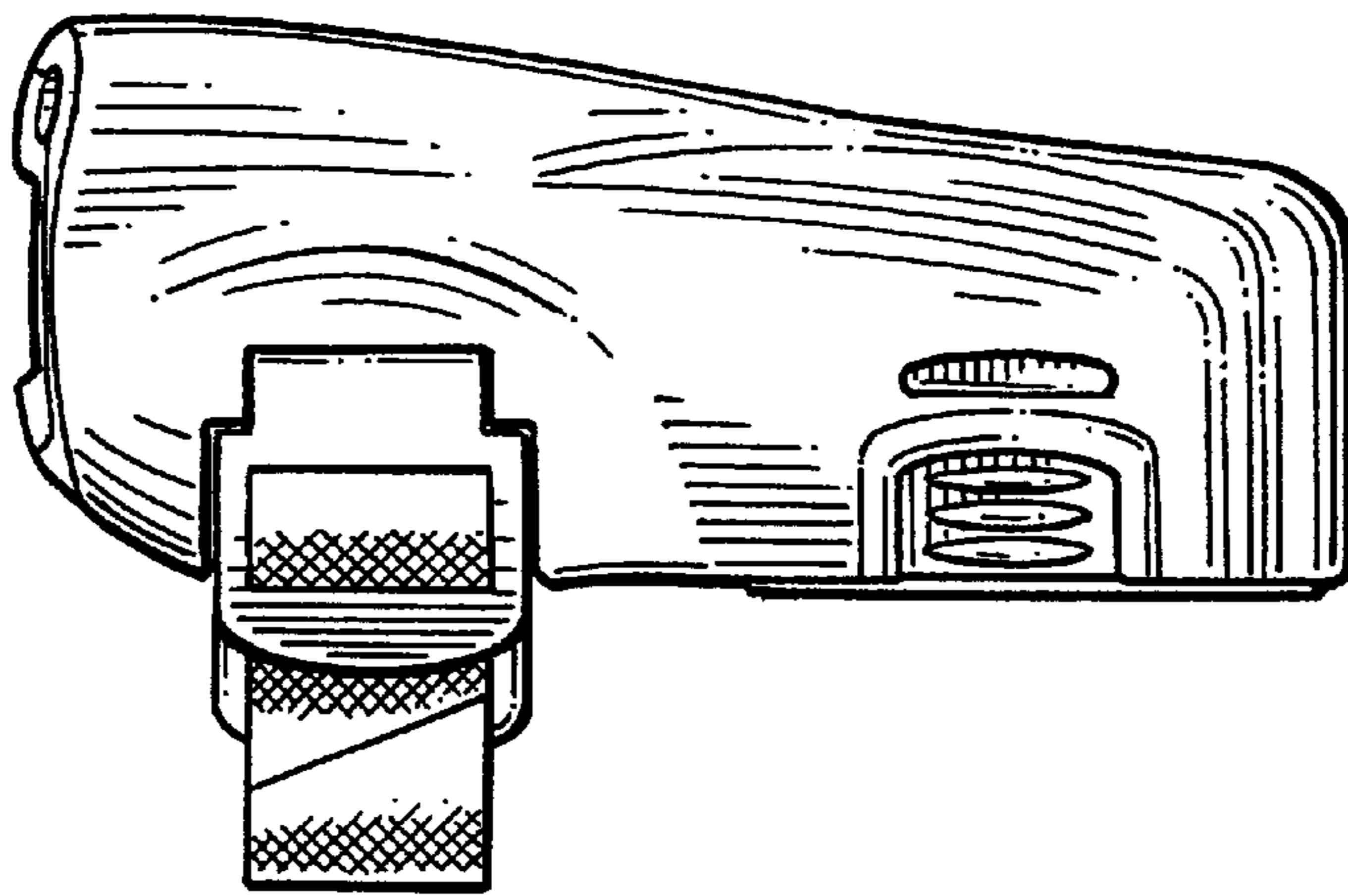


FIG. 4

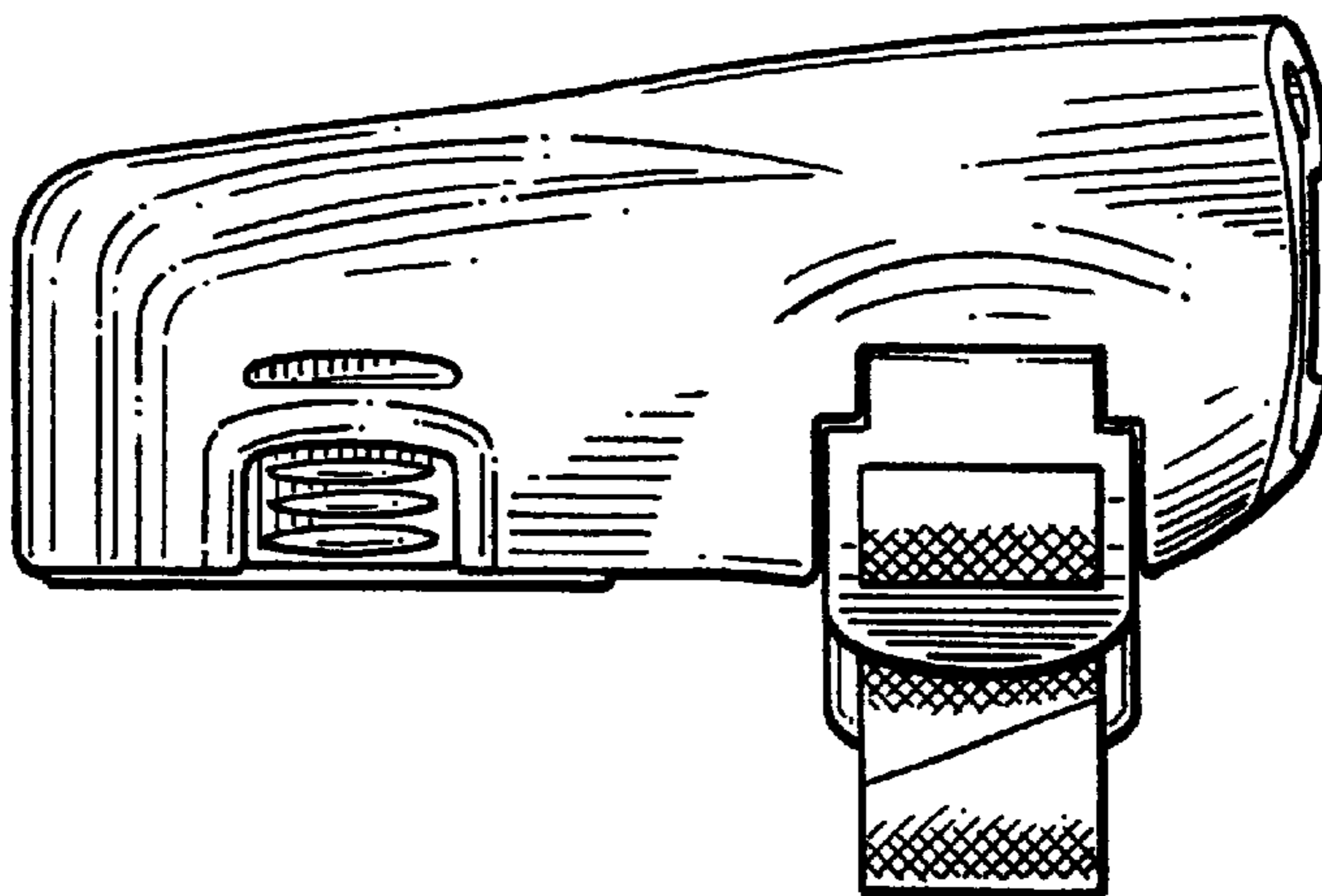


FIG. 5

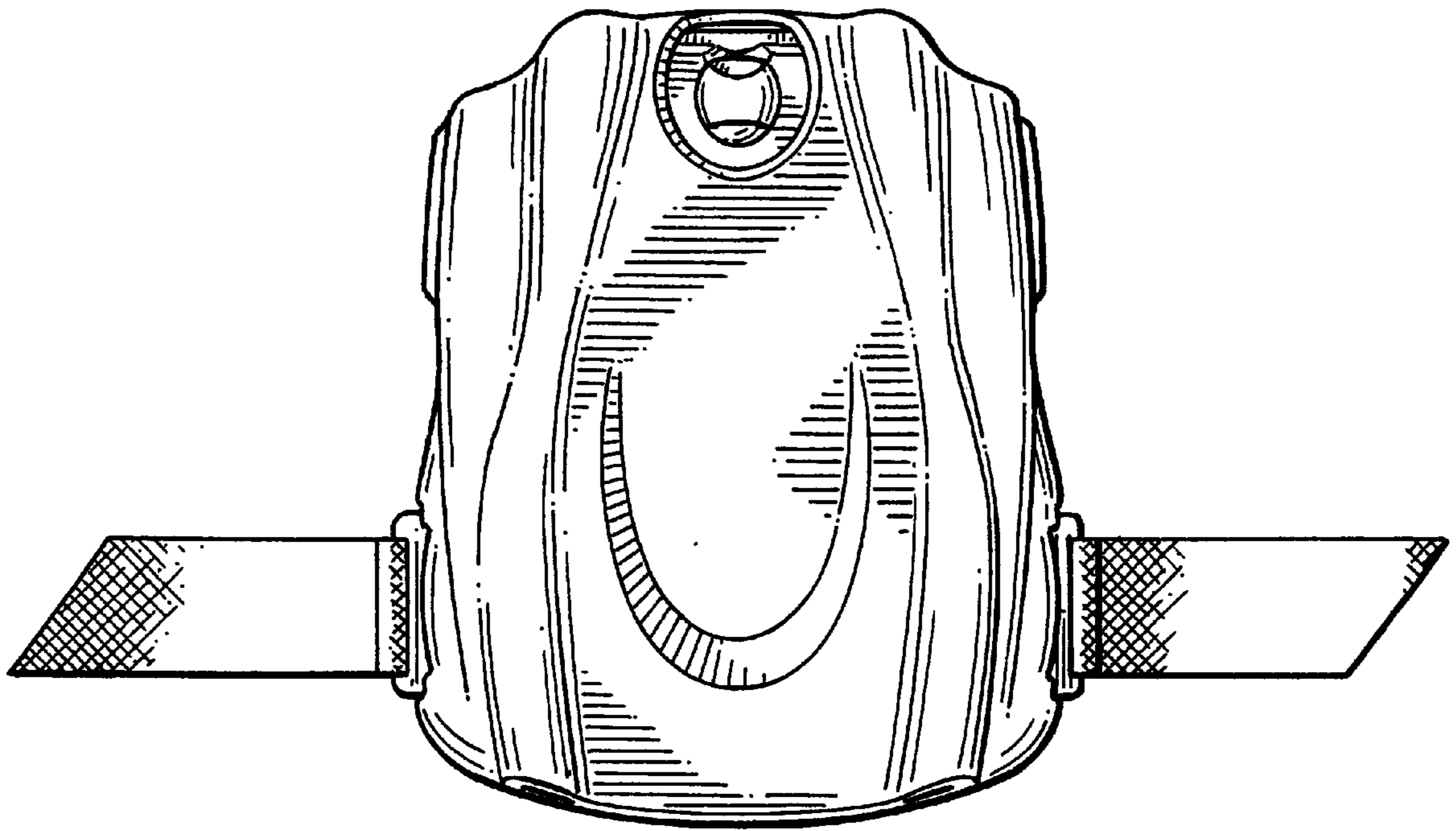


FIG. 6

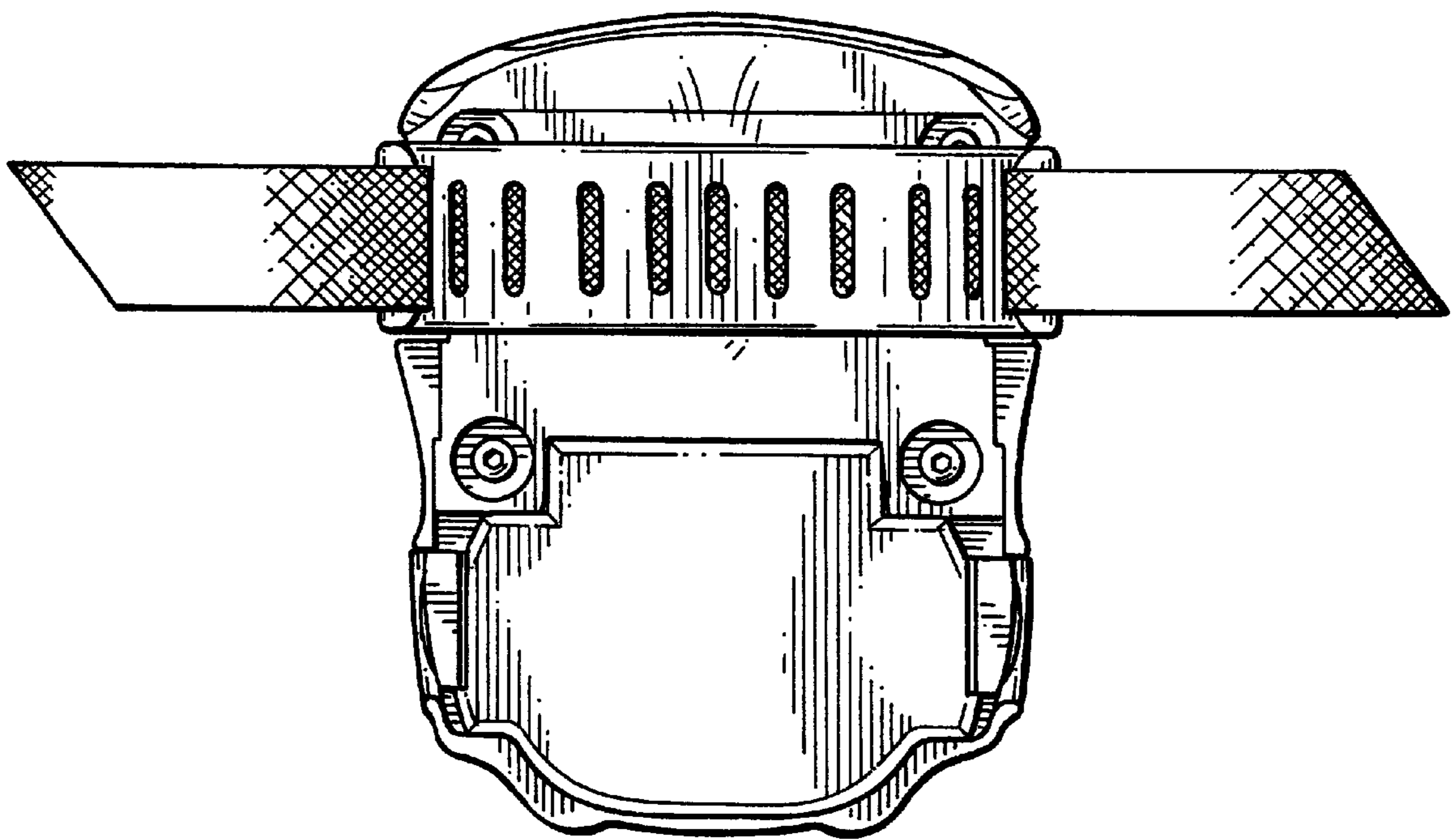


FIG. 7