



US00D462684S

(12) **United States Design Patent**
Hsia

(10) **Patent No.:** **US D462,684 S**

(45) **Date of Patent:** **** Sep. 10, 2002**

(54) **COMPUTER MOUSE**

(76) Inventor: **Wen-Hung Hsia**, 23, Lane 278, Wu Chuan South Road, Taichung (TW)

(**) Term: **14 Years**

(21) Appl. No.: **29/139,794**

(22) Filed: **Apr. 6, 2001**

(51) **LOC (7) Cl.** **14-02**

(52) **U.S. Cl.** **D14/402; D14/403**

(58) **Field of Search** D14/402-410,
D14/417, 432; 200/5 R, 5 A, 6 R, 6 A;
273/148 B; 345/156-167; 74/471 XY; 463/36,
37, 38

(56) **References Cited**

U.S. PATENT DOCUMENTS

D331,231 S	*	11/1992	Yang	D14/402
D386,163 S	*	11/1997	Cheng	D14/402
D452,970 S	*	1/2002	Sobati	D14/403

* cited by examiner

Primary Examiner—Kay H. Chin

(74) *Attorney, Agent, or Firm*—Rabin & Berdo, P.C.

(57) **CLAIM**

The ornamental design for a computer mouse, as shown and described.

DESCRIPTION

The application file contains at least one drawing executed in color. Copies of this patent or patent application publication with color drawing(s) will be provided by the Office upon request and payment of the necessary fee.

FIG. 1 is a front view of a computer mouse showing my new design;

FIG. 2 is a rear view thereof;

FIG. 3 is a left side view thereof;

FIG. 4 is a right side view thereof;

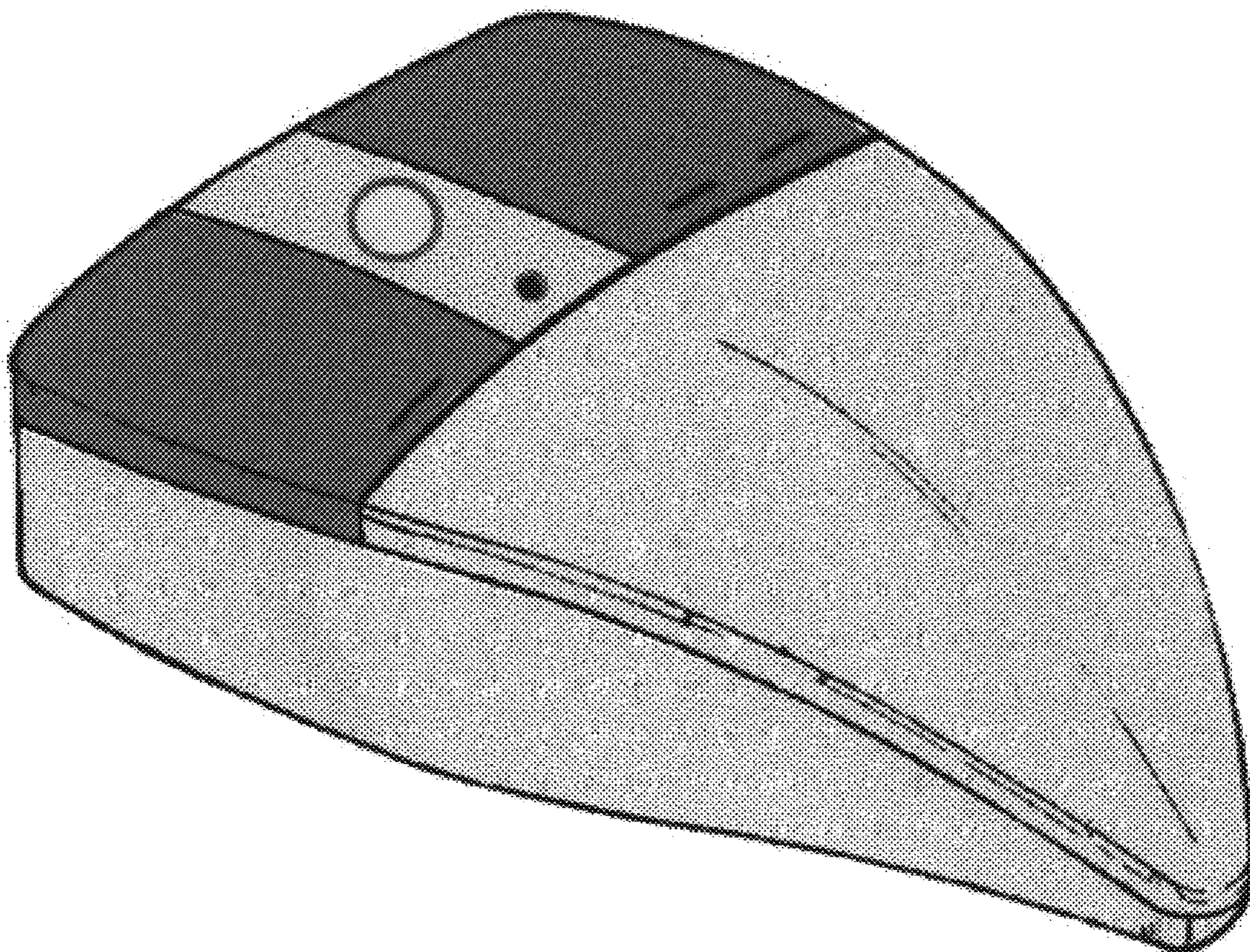
FIG. 5 is a top view thereof;

FIG. 6 is a bottom view thereof; and,

FIG. 7 is a perspective view thereof.

1 Claim, 4 Drawing Sheets

(4 of 4 Drawing Sheet(s) Filed in Color)



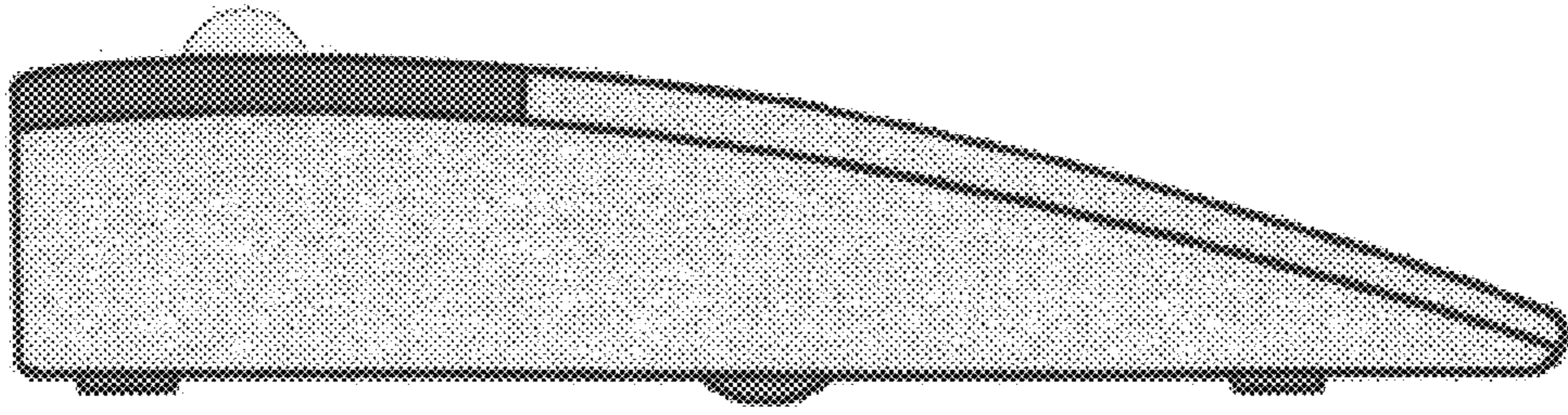


FIG. 1

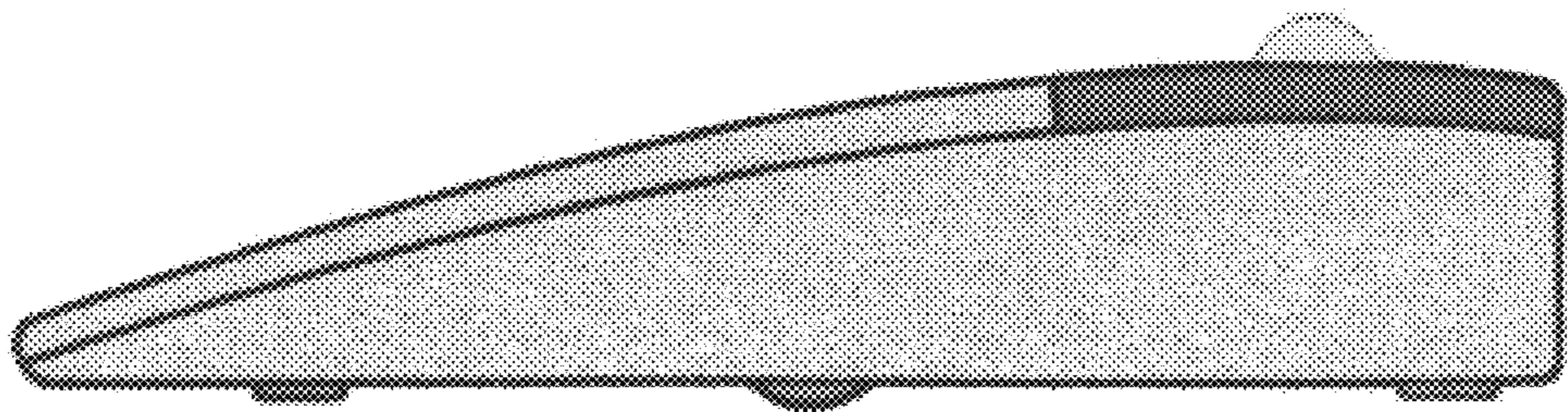


FIG. 2

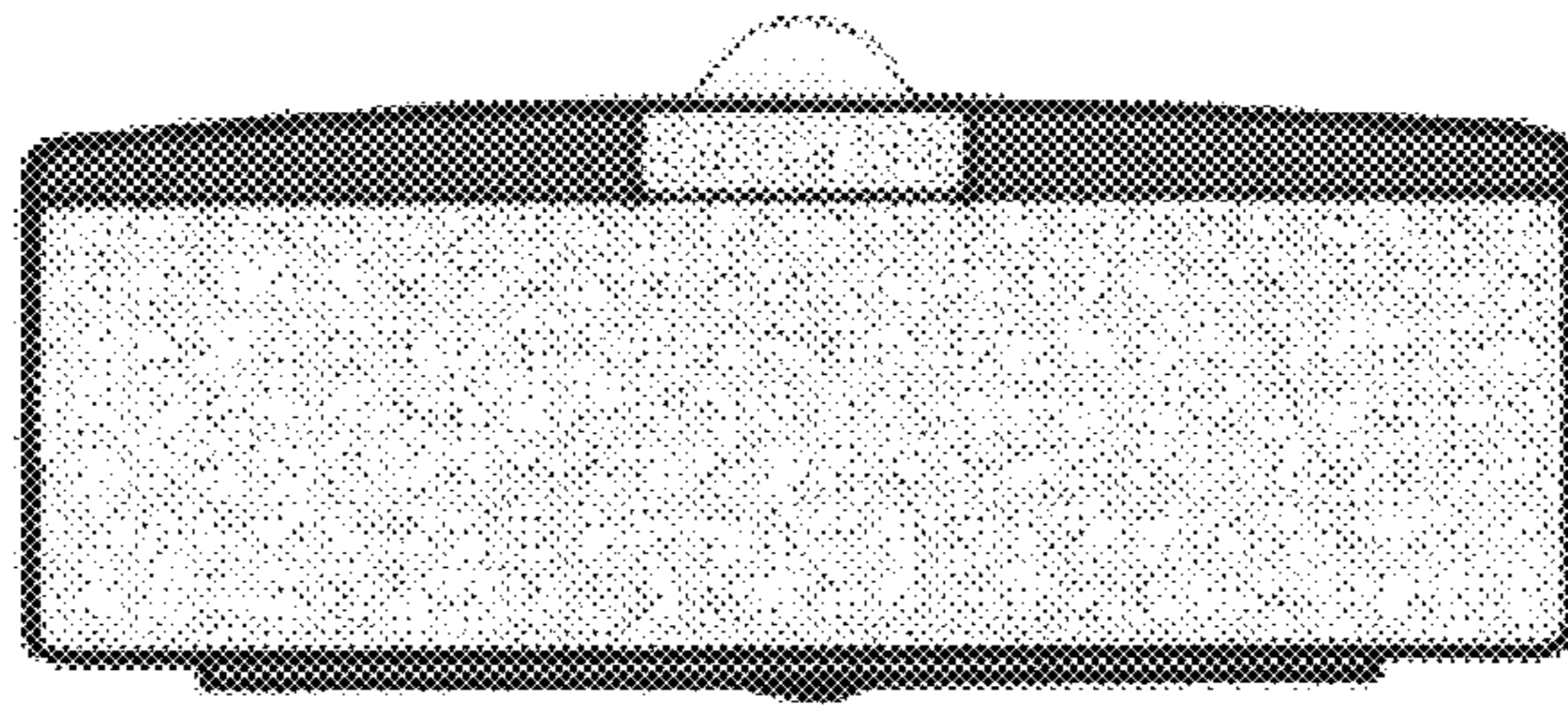


FIG. 3

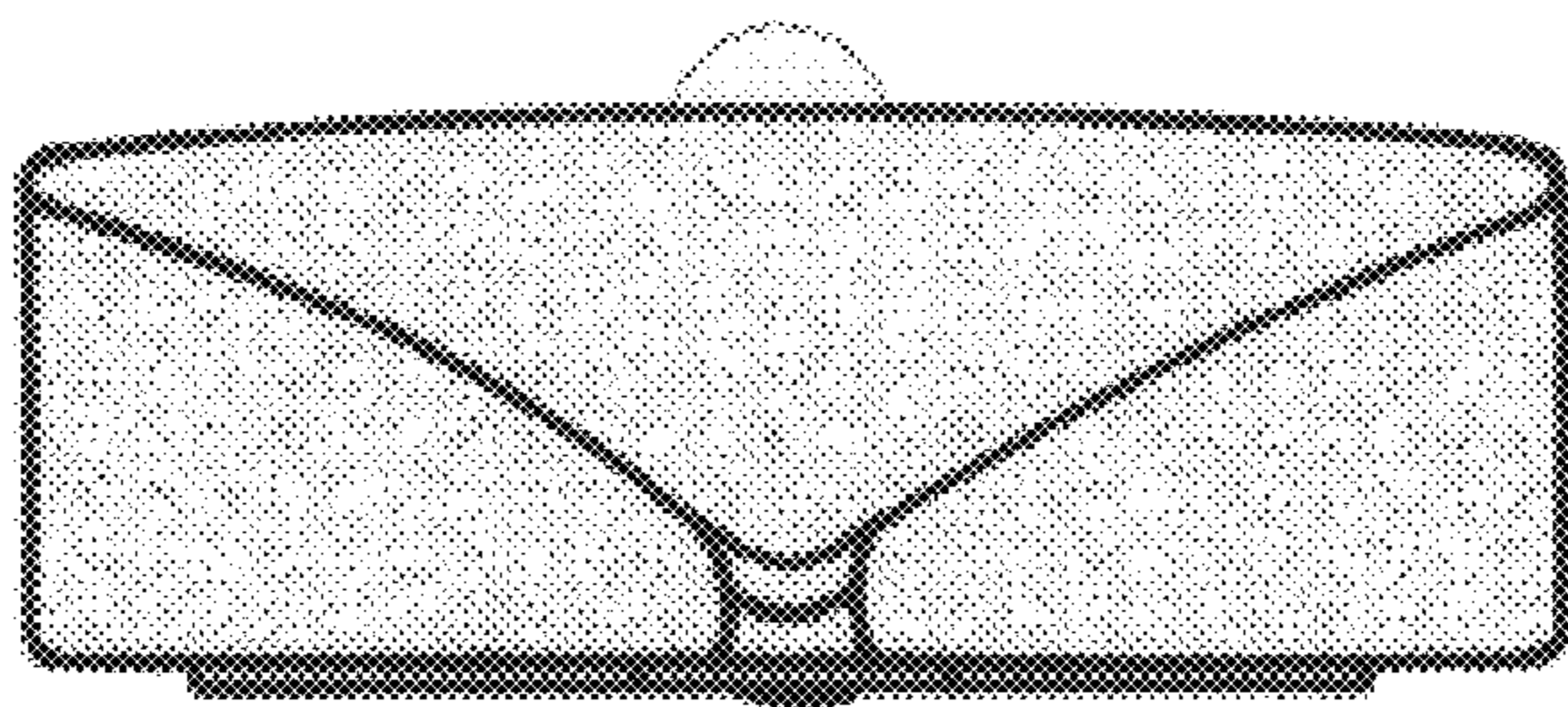


FIG. 4

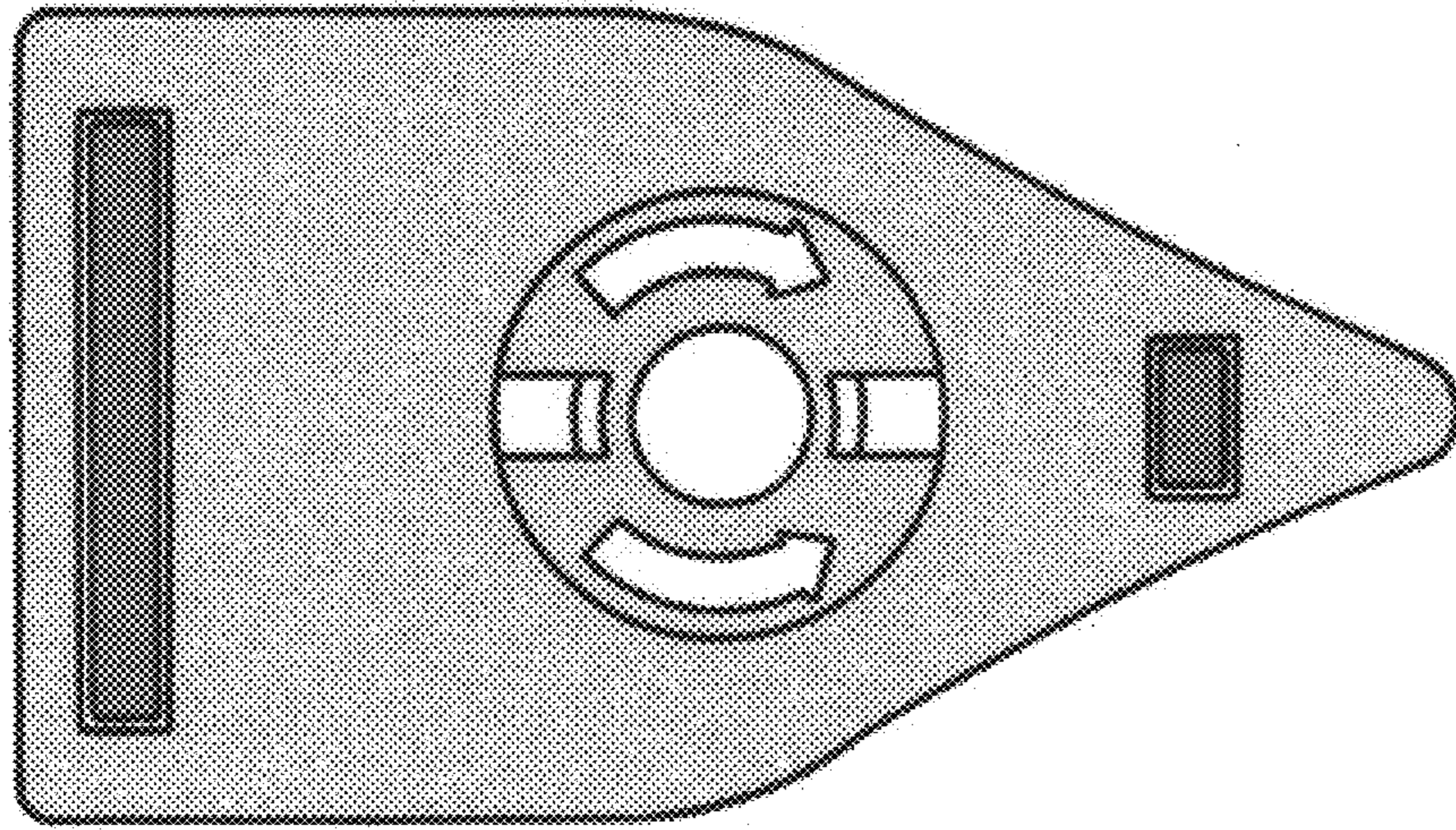


FIG. 6

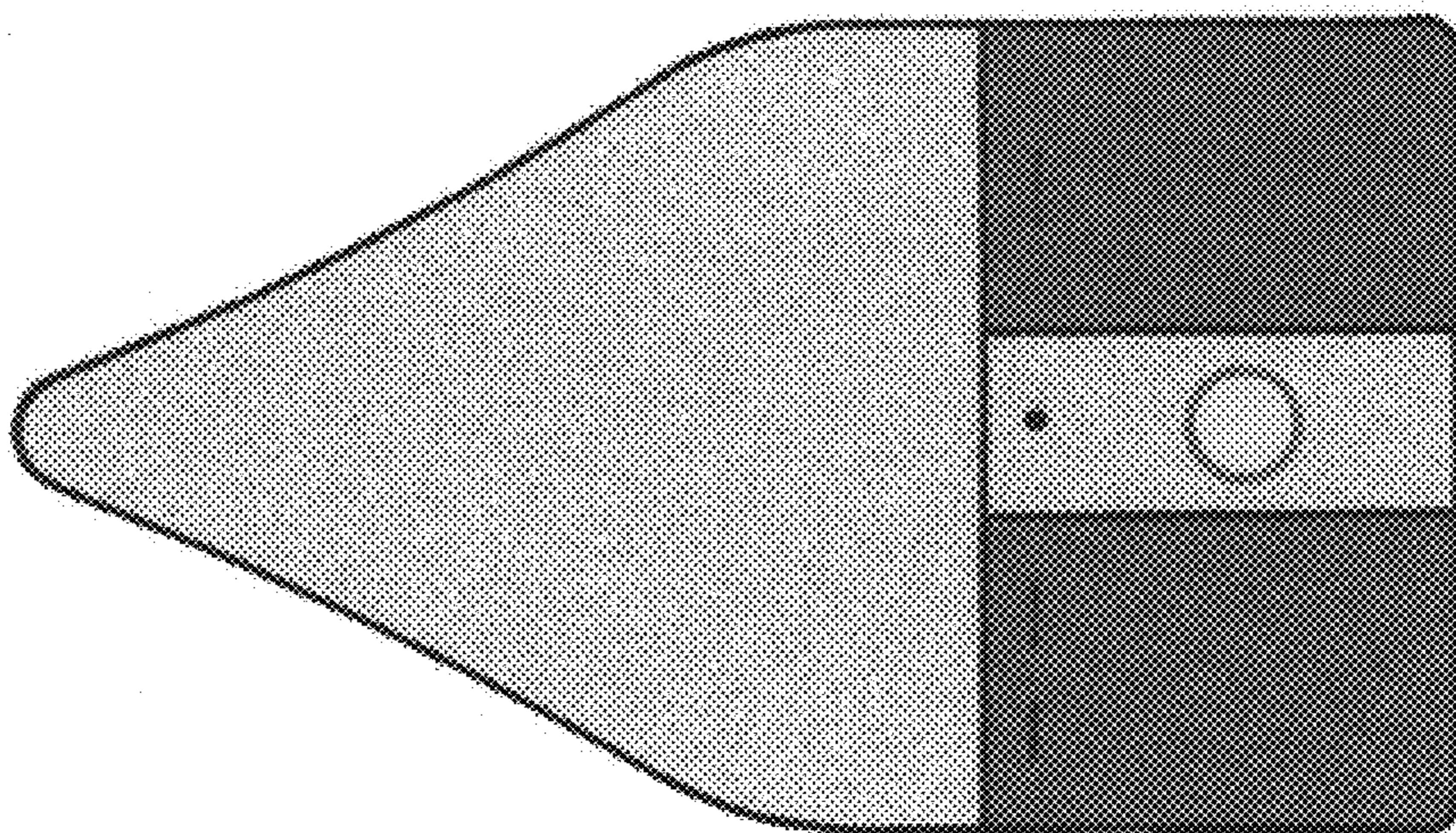


FIG. 5

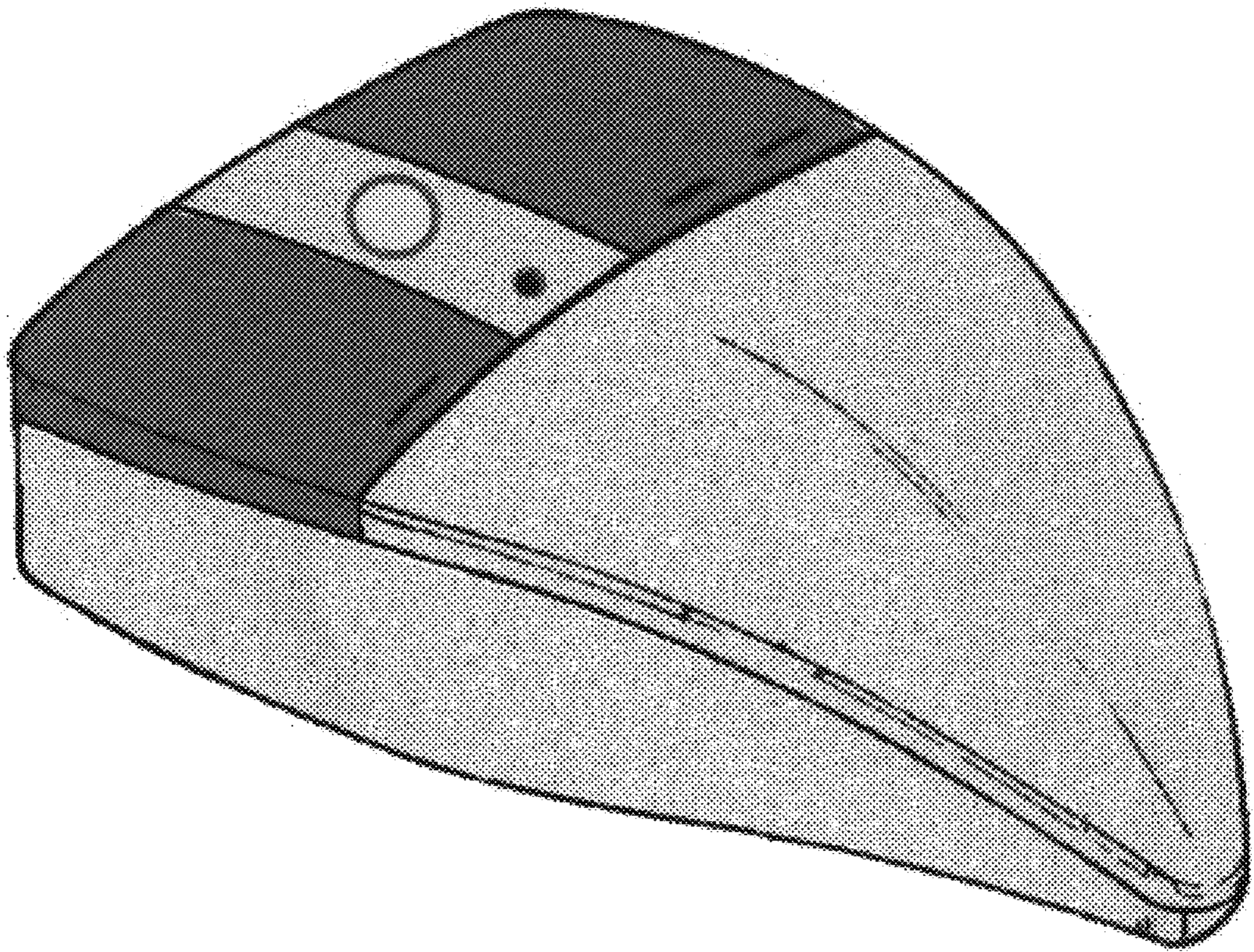


FIG. 7