



US00D462683S

(12) **United States Design Patent**
Ashida

(10) **Patent No.:** **US D462,683 S**

(45) **Date of Patent:** **** Sep. 10, 2002**

(54) **CONTROLLER FOR ELECTRONIC GAME MACHINE**

(75) **Inventor:** **Kenichiro Ashida, Kyoto (JP)**

(73) **Assignee:** **Nintendo Co., Ltd. (JP)**

(**) **Term:** **14 Years**

(21) **Appl. No.:** **29/153,458**

(22) **Filed:** **Jan. 10, 2002**

Related U.S. Application Data

(62) Division of application No. 29/136,652, filed on Feb. 6, 2001, now Pat. No. Des. 456,410.

(30) **Foreign Application Priority Data**

Aug. 11, 2000	(JP)	2000-022425
Aug. 11, 2000	(JP)	2000-022427
Aug. 11, 2000	(JP)	2000-022428
Aug. 11, 2000	(JP)	2000-022429
Aug. 11, 2000	(JP)	2000-022430
Aug. 11, 2000	(JP)	2000-022431
Aug. 11, 2000	(JP)	2000-022432
Aug. 11, 2000	(JP)	2000-022433

(51) **LOC (7) Cl.** **14-02**

(52) **U.S. Cl.** **D14/401**

(58) **Field of Search** D14/400, 401,
D14/412-416; D21/324, 333; 273/148 B;
463/1, 29, 30, 36, 37, 38, 46, 47; 345/156-161,
905

(56) **References Cited**

U.S. PATENT DOCUMENTS

D375,326 S	11/1996	Yokoi et al.	
D397,162 S	8/1998	Yokoi et al.	
D410,914 S	* 6/1999	Tyler et al. D14/401
D415,752 S	10/1999	Tyler et al.	
D417,664 S	12/1999	Goto	
6,001,014 A	12/1999	Ogata et al.	
6,001,015 A	12/1999	Nishiumi et al.	
D424,047 S	5/2000	Chan	
6,153,843 A	* 11/2000	Date et al. 273/148 B
6,171,191 B1	1/2001	Ogata et al.	
6,231,444 B1	5/2001	Goto et al.	
6,342,009 B1	* 1/2002	Soma 463/38

* cited by examiner

Primary Examiner—Prabhakar Deshmukh

(74) *Attorney, Agent, or Firm*—Nixon & Vanderhye P.C.

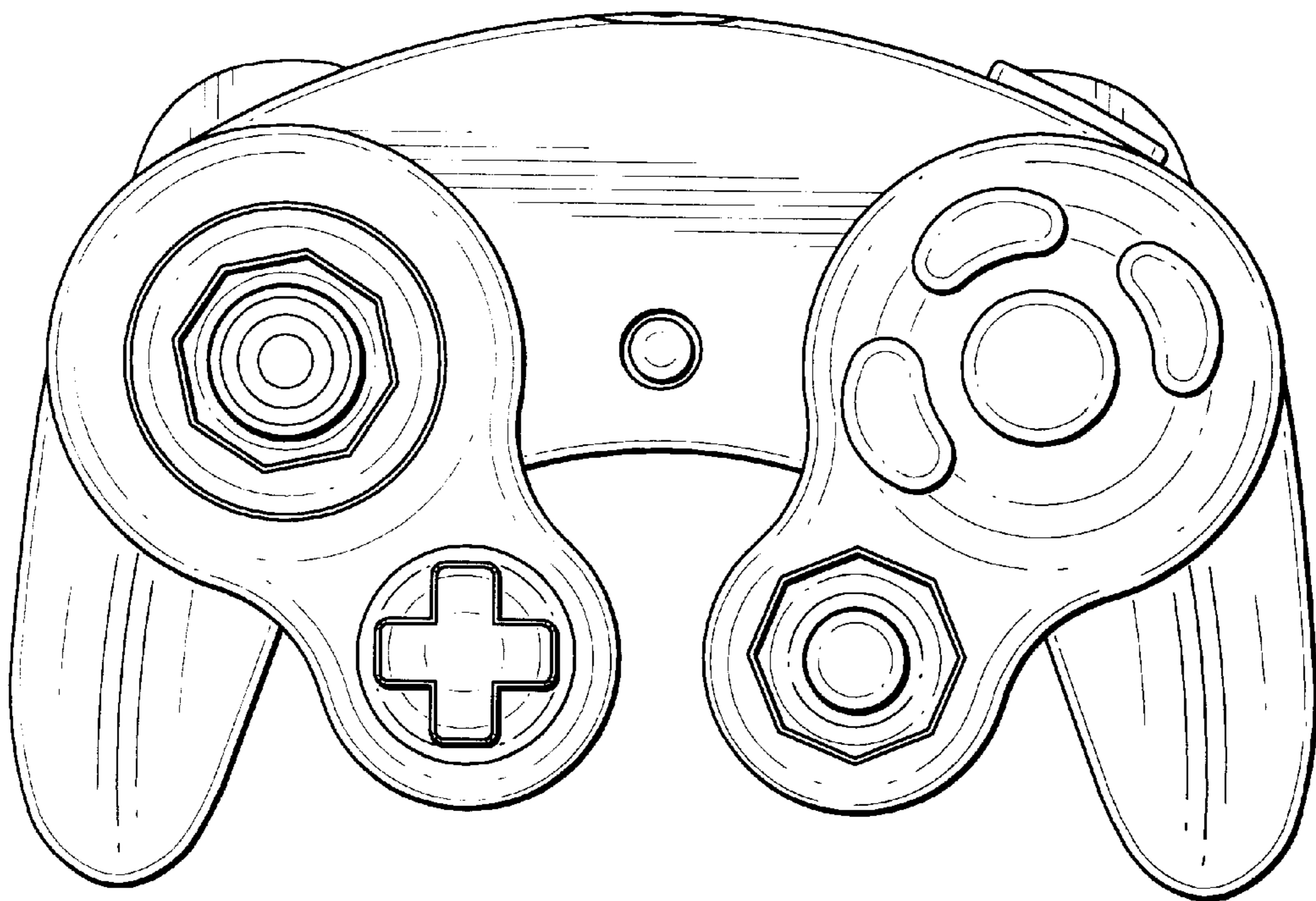
(57) **CLAIM**

The ornamental design for a controller for electronic game machine; as shown and described.

DESCRIPTION

FIG. 1 is a front elevational view of a controller for electronic game machine showing my new design; FIG. 2 is a rear elevational view thereof; FIG. 3 is a top plan view thereof; FIG. 4 is a bottom plan view thereof; FIG. 5 is a left side view thereof; and, FIG. 6 is a right side view thereof.

1 Claim, 3 Drawing Sheets



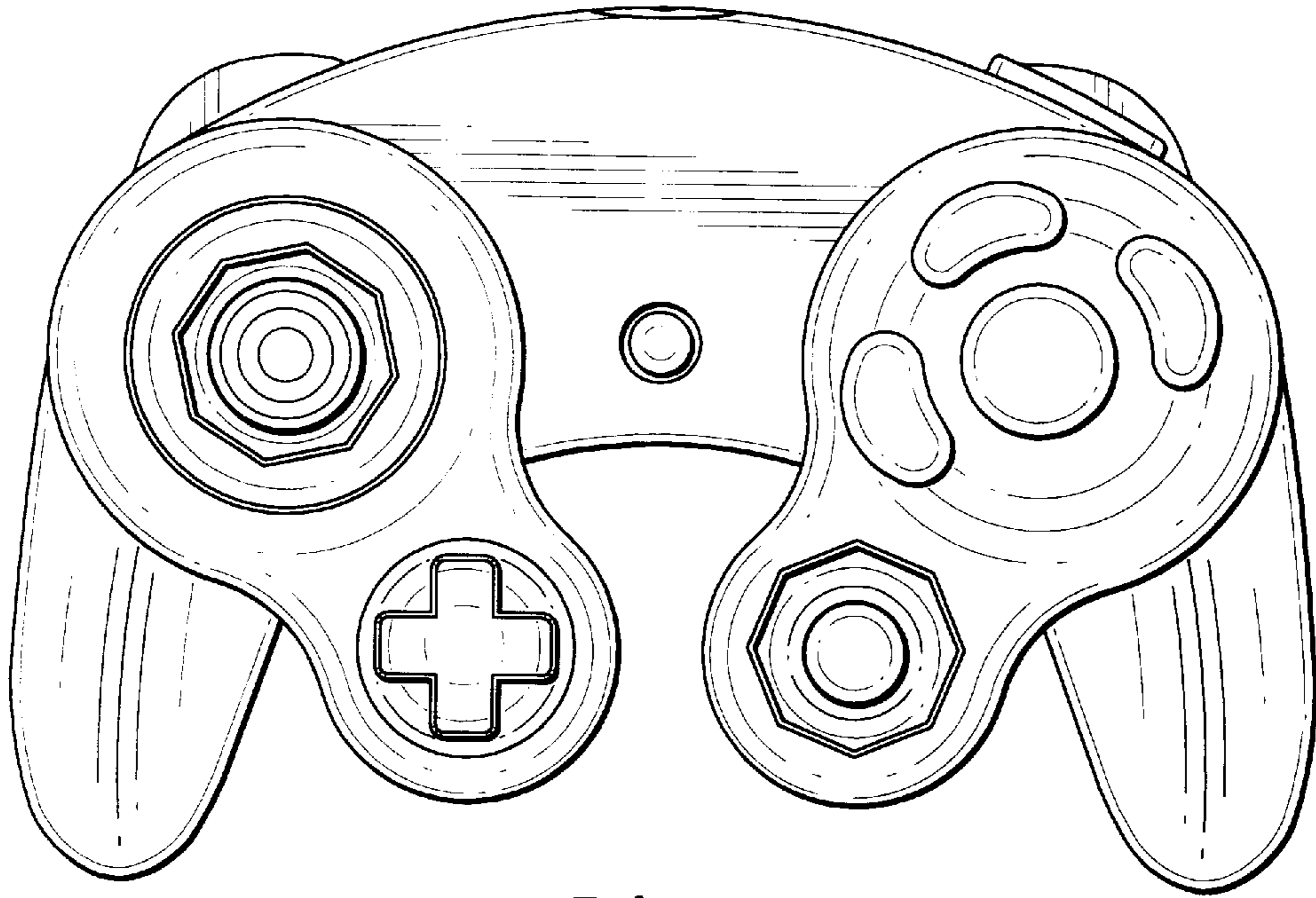


Fig. 1

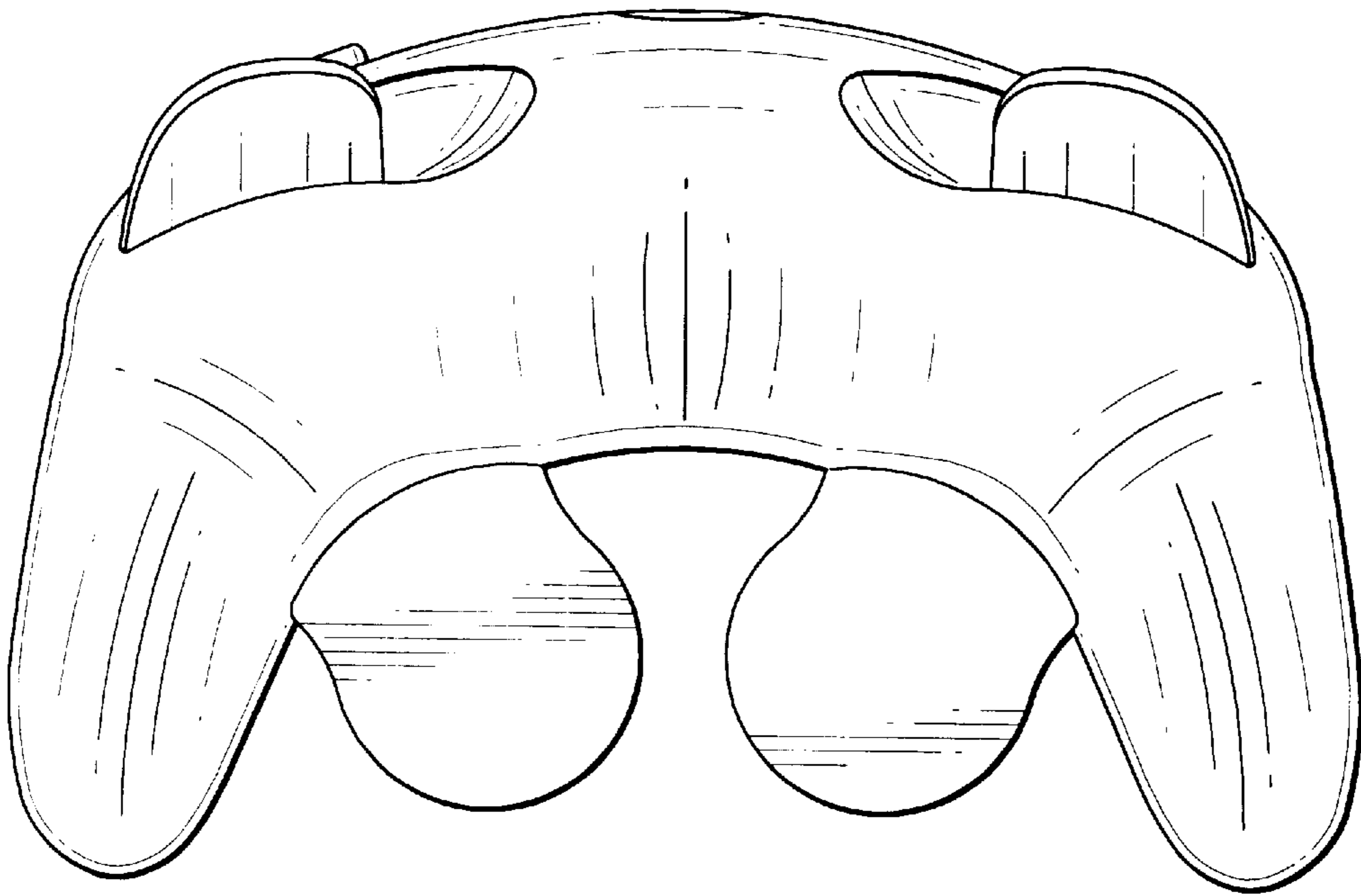


Fig. 2

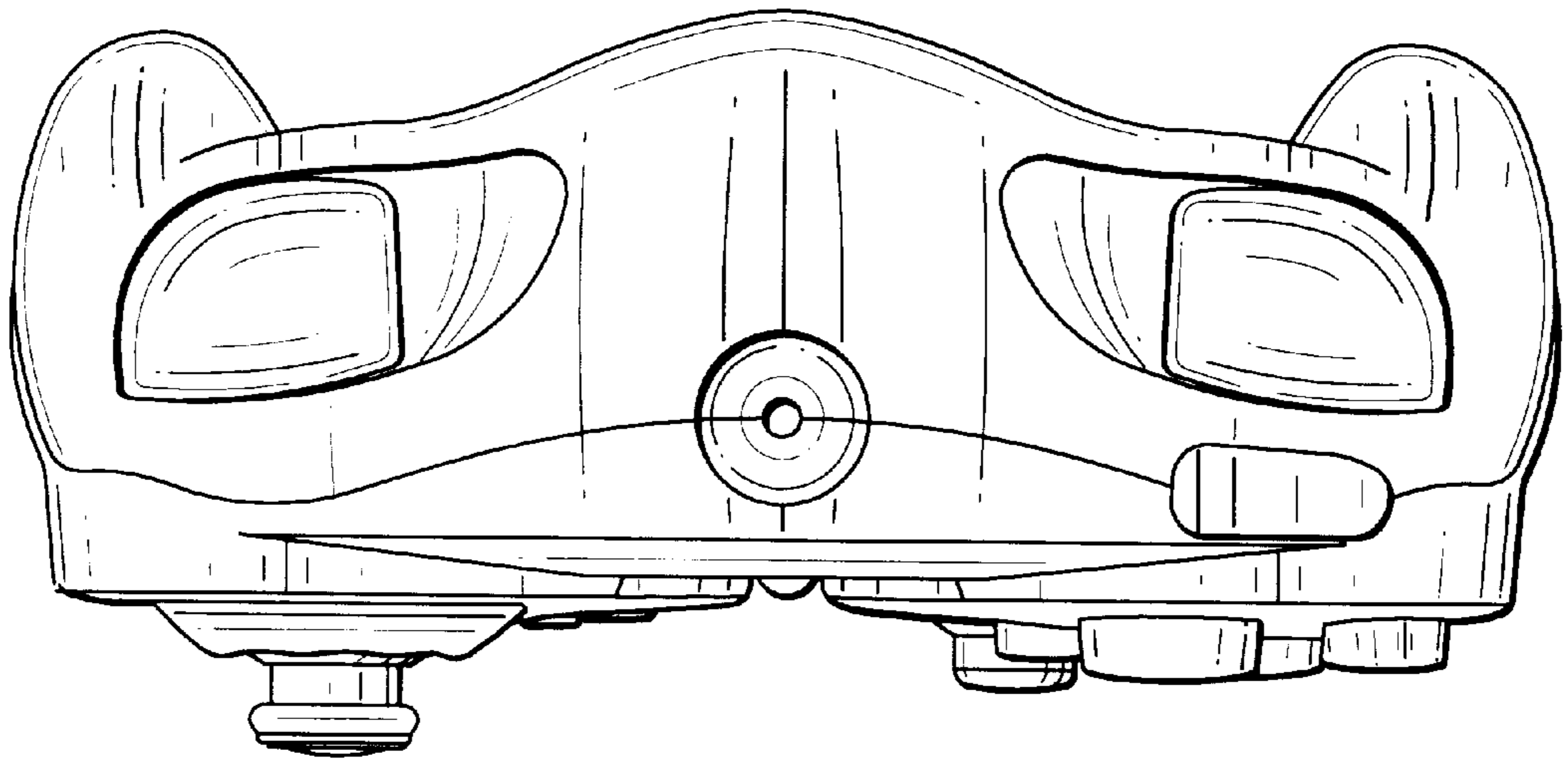


Fig. 3

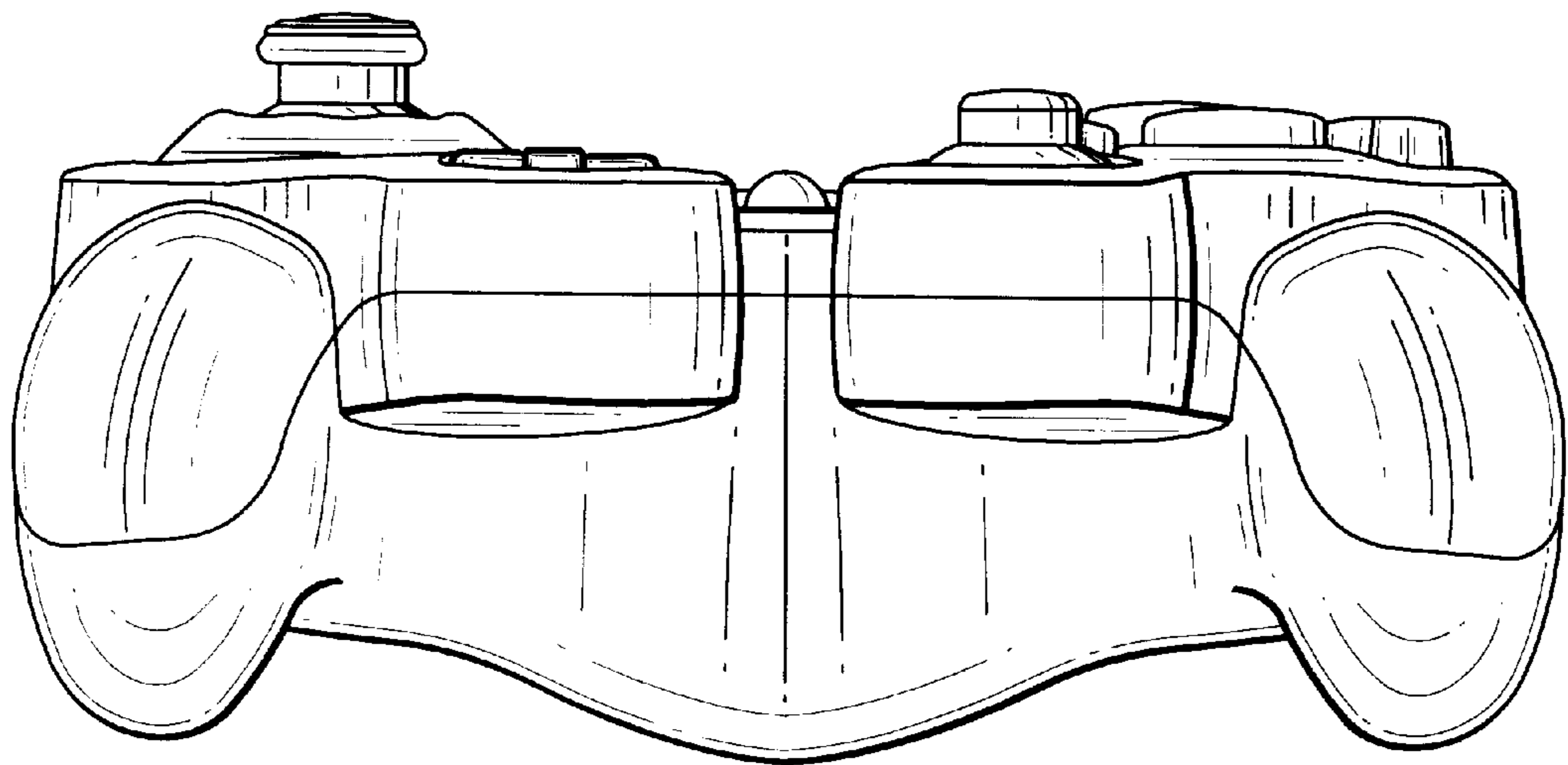


Fig. 4

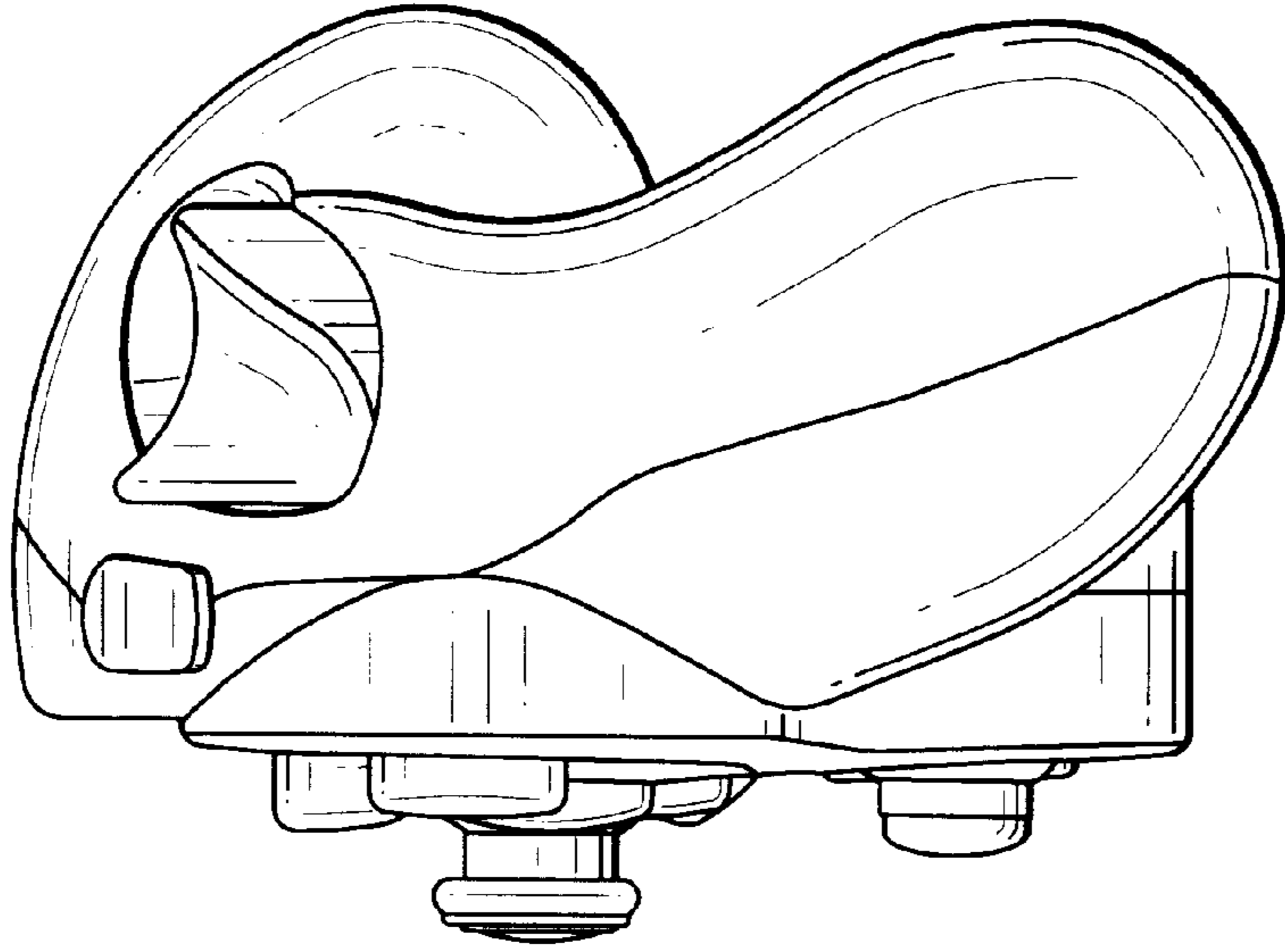


Fig. 6

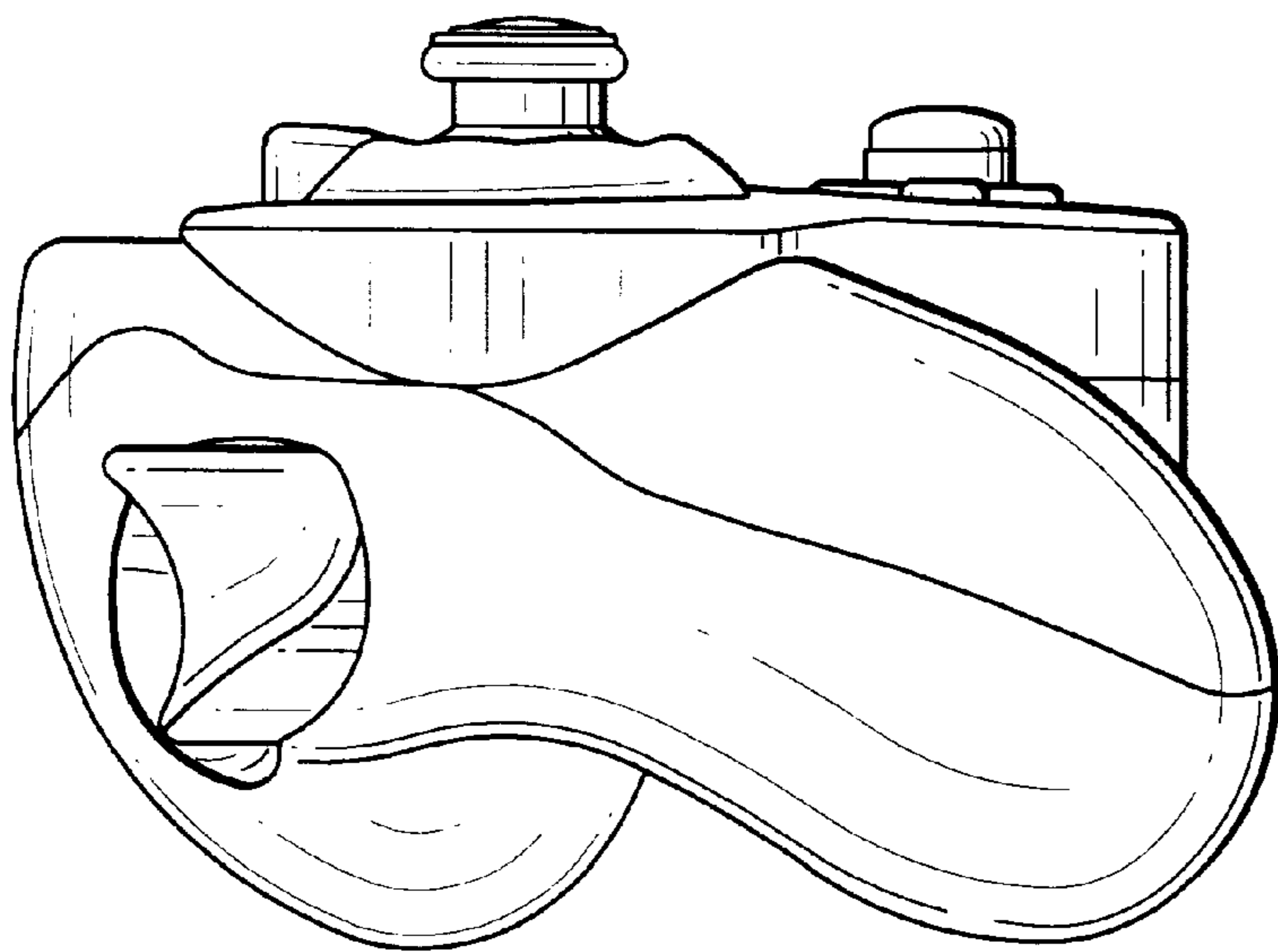


Fig. 5