



US00D462682S

(12) **United States Design Patent**
Andres et al.

(10) **Patent No.: US D462,682 S**

(45) **Date of Patent: ** Sep. 10, 2002**

(54) **COMPUTER KEYBOARD**

D428,613 S * 7/2000 Chen D14/393

(75) Inventors: **Guillermo Andres**, Pleasanton, CA (US); **Thomas S. Neal**, Cupertino, CA (US); **Jeffrey Allen Salazar**, Belmont, CA (US); **David William Laituri**, Wayland, MA (US); **Roman Gebhard**, San Francisco, CA (US); **Kenneth Douglas Wood**, Portola Valley, CA (US)

* cited by examiner

Primary Examiner—Freda Nunn

(57) **CLAIM**

The ornamental design for a computer keyboard, as shown and described.

DESCRIPTION

(73) Assignee: **Hewlett-Packard Co.**, Palo Alto, CA (US)

FIG. 1 is right, front isometric view thereof; FIG. 2 is a left, bottom isometric view thereof; FIG. 3 is a top plan view thereof; FIG. 4 is a bottom plan view thereof; FIG. 5 is a front elevational view thereof; FIG. 6 is a rear elevational view thereof; FIG. 7 is a left elevational view thereof; FIG. 8 is a right elevational view thereof; FIG. 9 is a right, front isometric view of a second embodiment of a computer keyboard showing our new design; FIG. 10 is a left, bottom isometric view of the second embodiment; FIG. 11 is a top plan view of the second embodiment; FIG. 12 is a bottom plan view of the second embodiment; FIG. 13 is a front elevational view of the second embodiment; FIG. 14 is a rear elevational view of the second embodiment; FIG. 15 is a left elevational view of the second embodiment; and, FIG. 16 is a right elevational view of the second embodiment.

(**) Term: **14 Years**

(21) Appl. No.: **29/153,773**

(22) Filed: **Jan. 11, 2002**

Related U.S. Application Data

(62) Division of application No. 29/124,115, filed on May 31, 2000, now Pat. No. Des. 455,428.

(51) **LOC (7) Cl.** **14-02**

(52) **U.S. Cl.** **D14/396**

(58) **Field of Search** D14/391-394, D14/396; D18/1, 2, 7; 178/17 A, 17 C; 200/5 A, 5 R, 6 A, 6 R; 235/145 A, 145 R; 341/22, 23; 345/160, 168; 400/484-486, 488, 489, 492, 472, 479

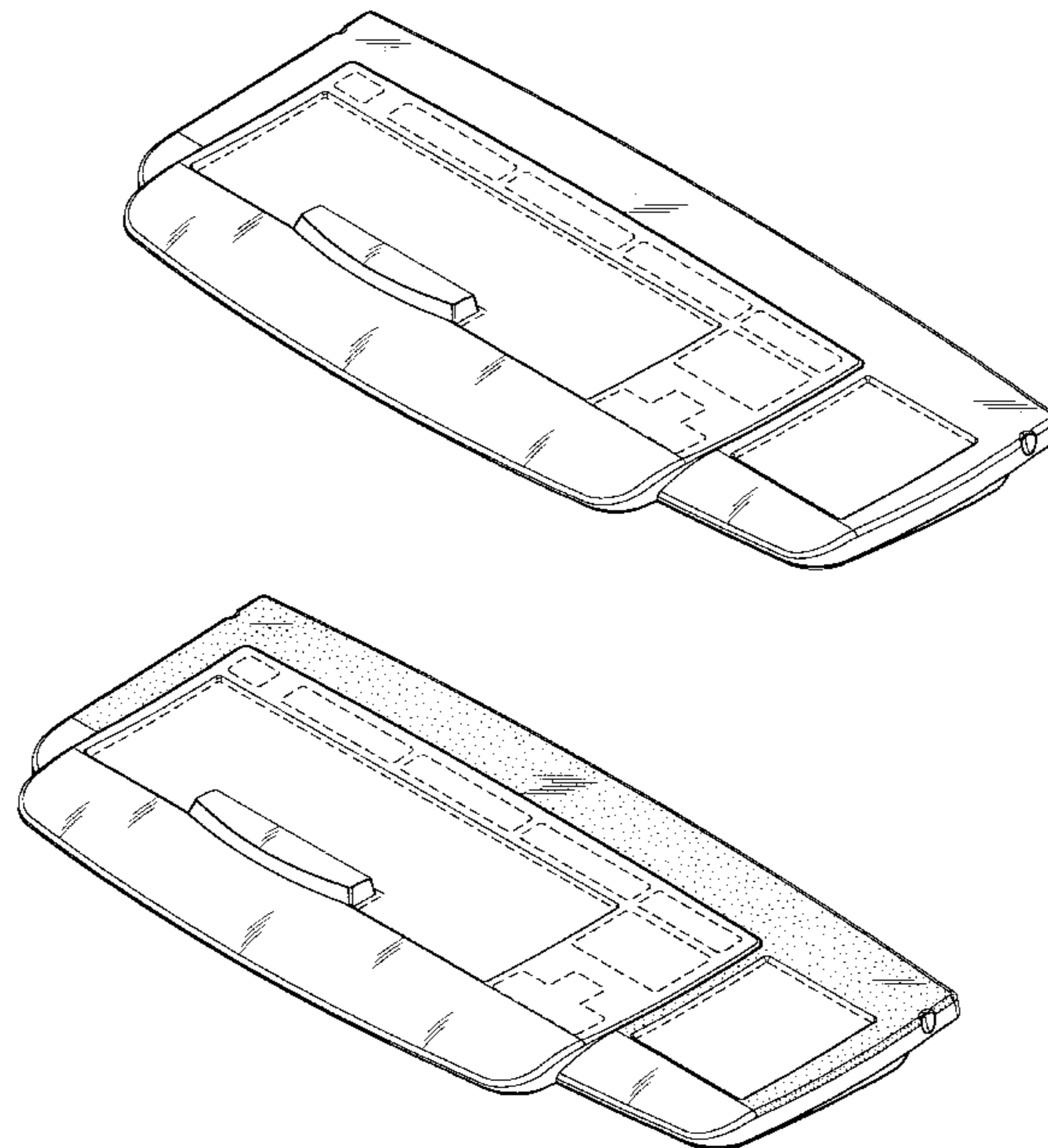
(56) **References Cited**

U.S. PATENT DOCUMENTS

- 4,121,048 A * 10/1978 Dev Choudhury 178/17 C
- D281,689 S * 12/1985 Peroni D14/392
- D354,053 S * 1/1995 Kao D14/396
- D414,479 S * 9/1999 Oberhofer et al. D14/396

The broken lines are shown in the views for illustrative purposes only and form no part of the claimed design. In FIGS. 9-16 the areas including stipple shading have a different contrasting color as compared to the areas that do not include stipple shading.

1 Claim, 12 Drawing Sheets



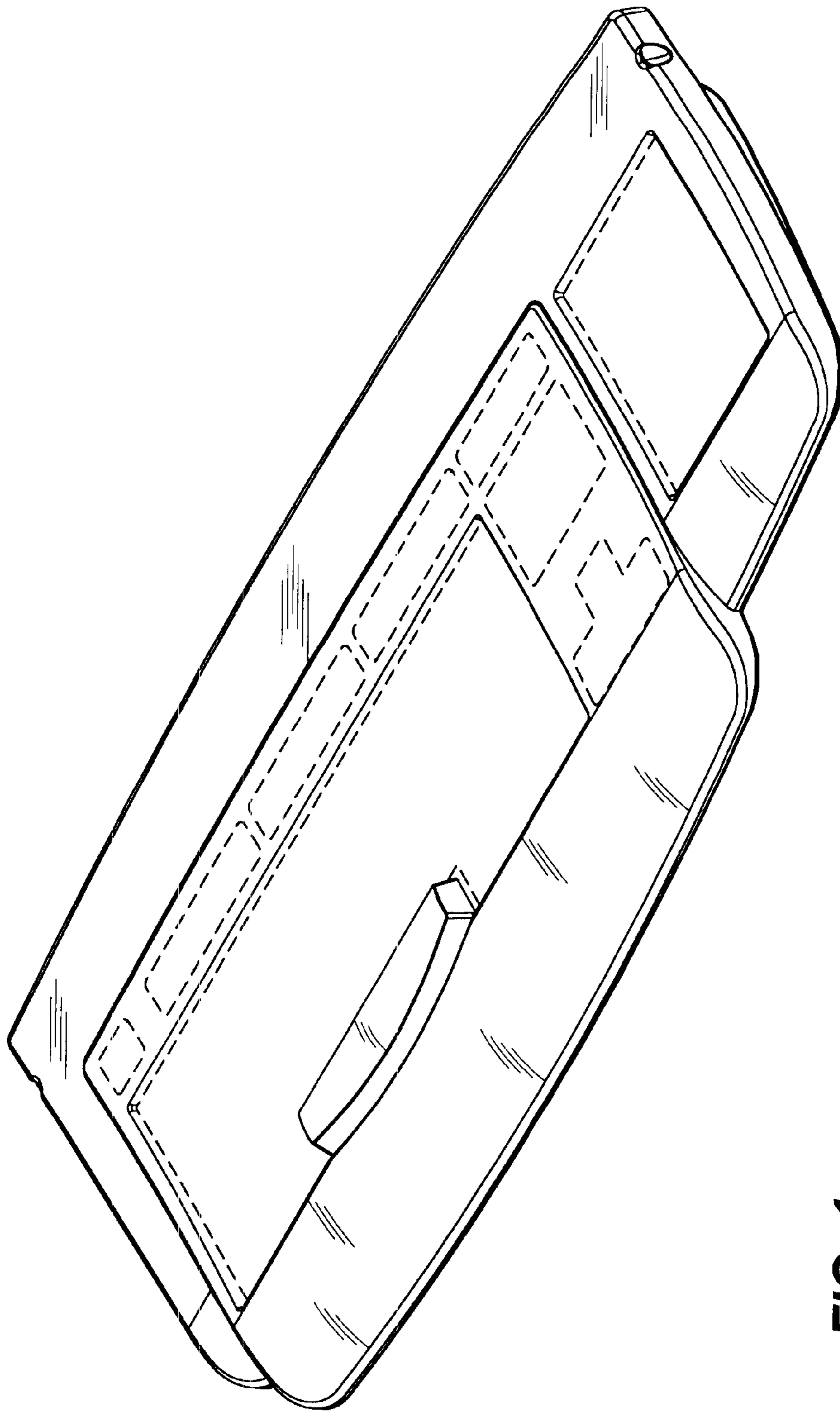


FIG. 1

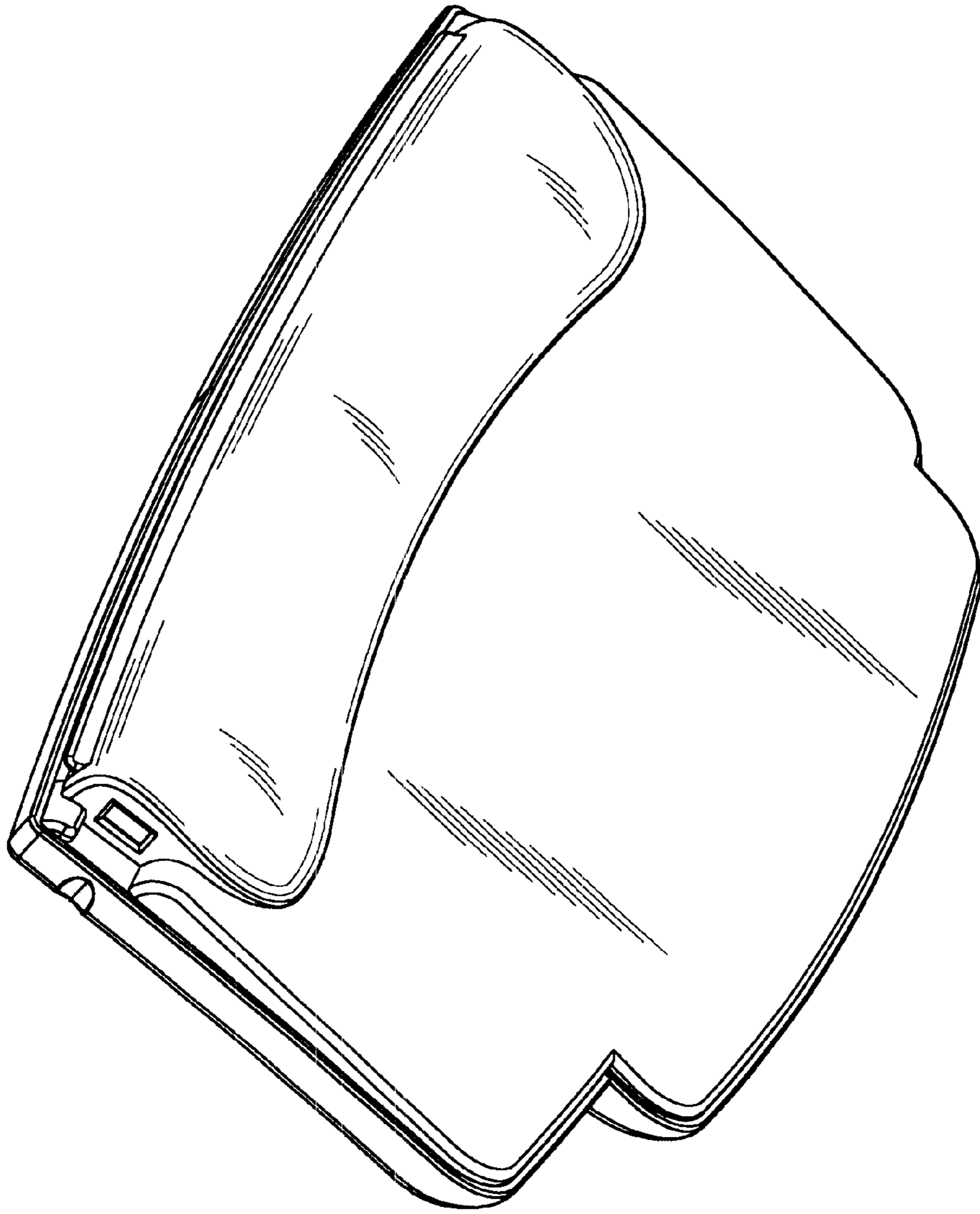


FIG. 2

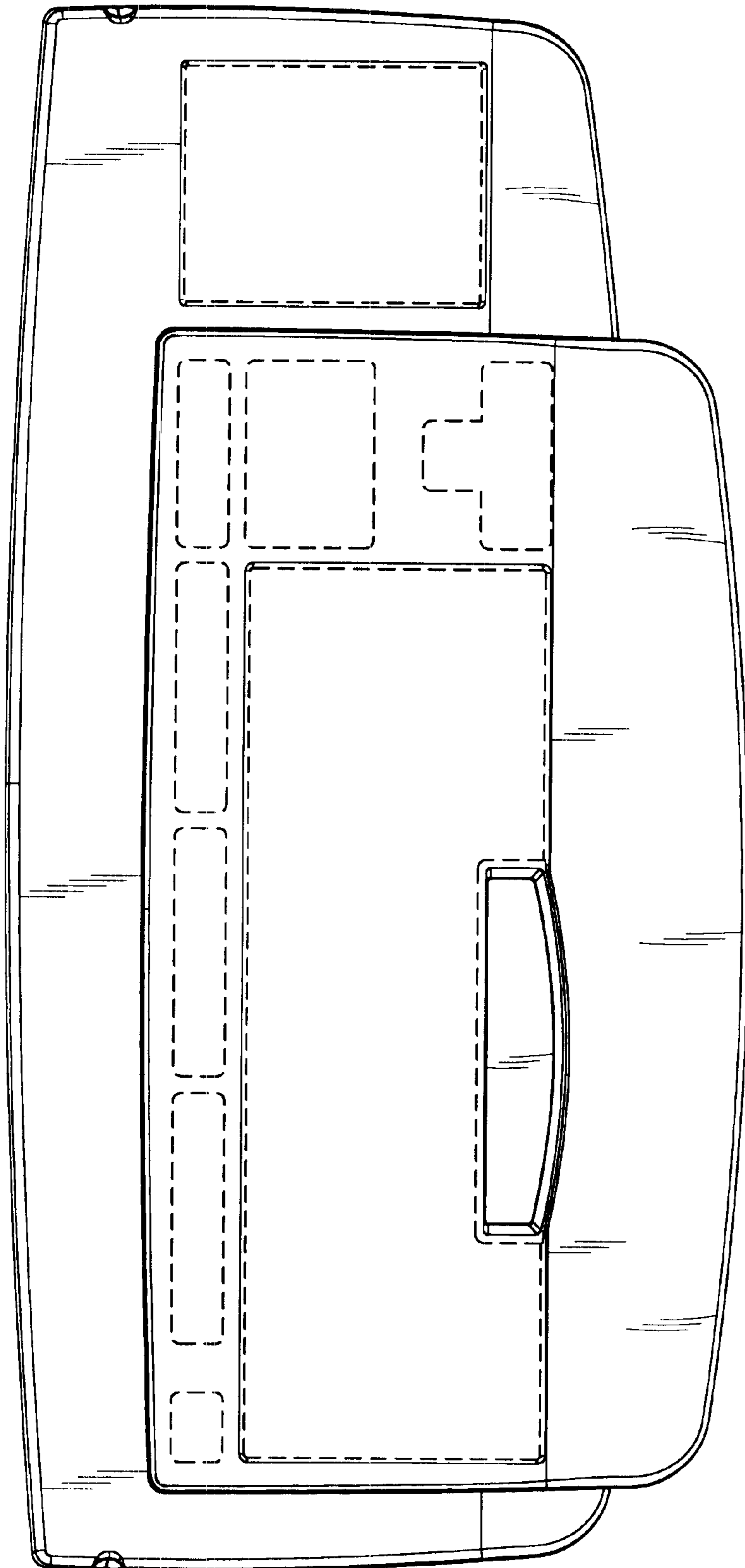


FIG. 3

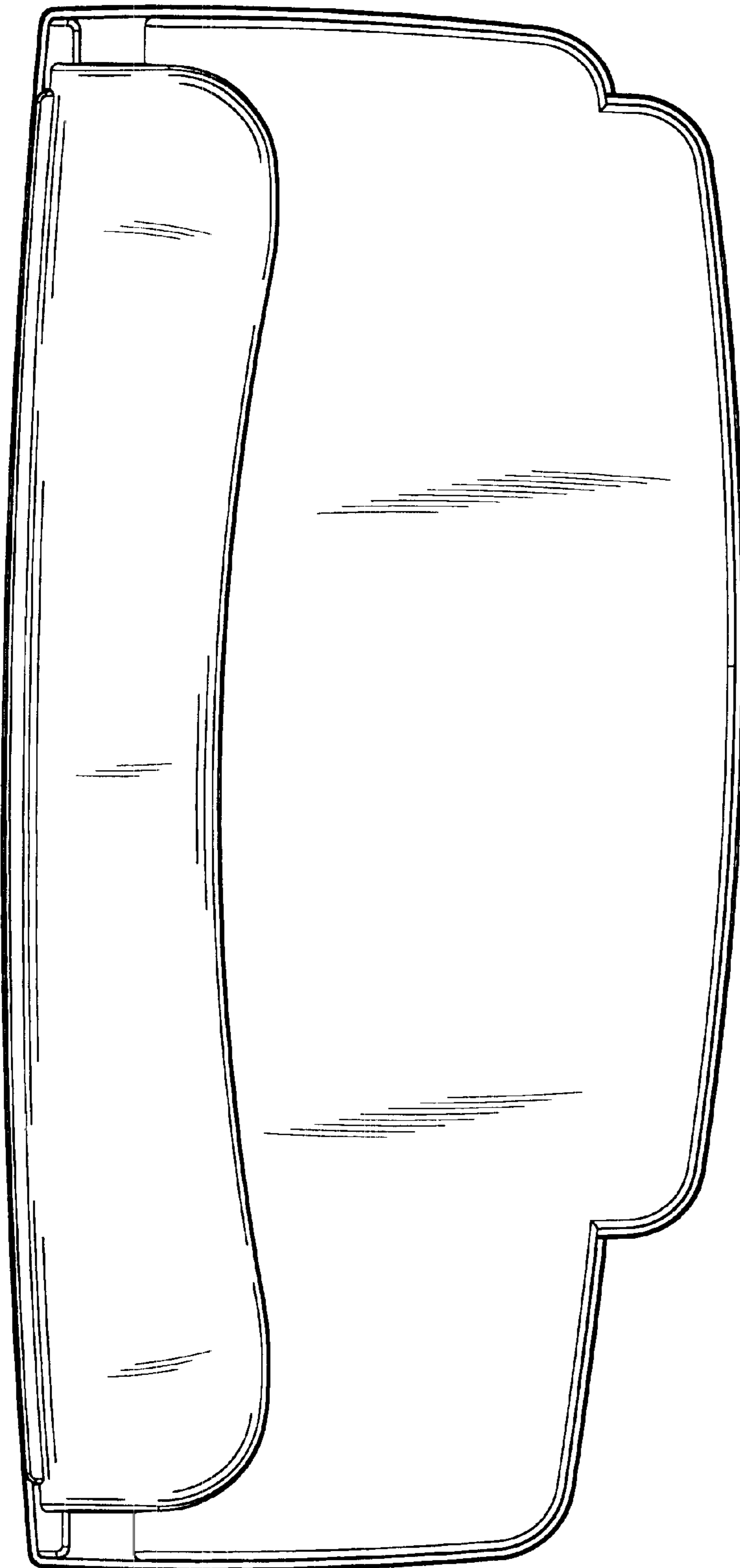


FIG. 4

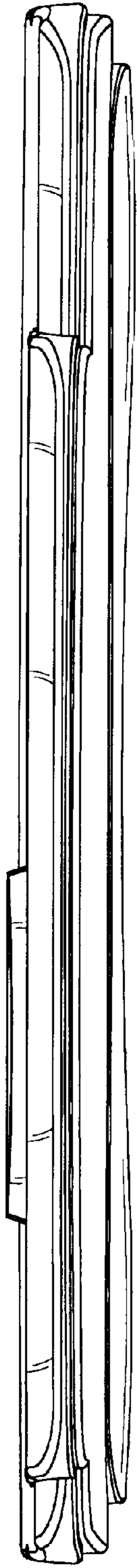


FIG. 5

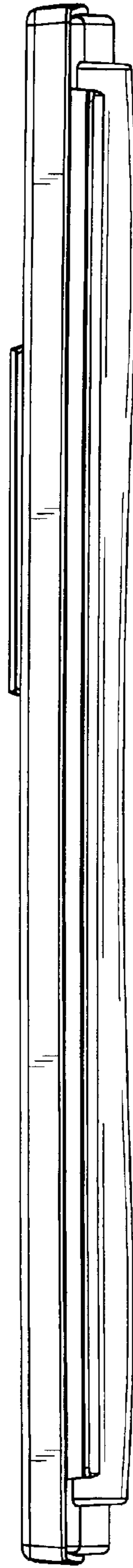


FIG. 6

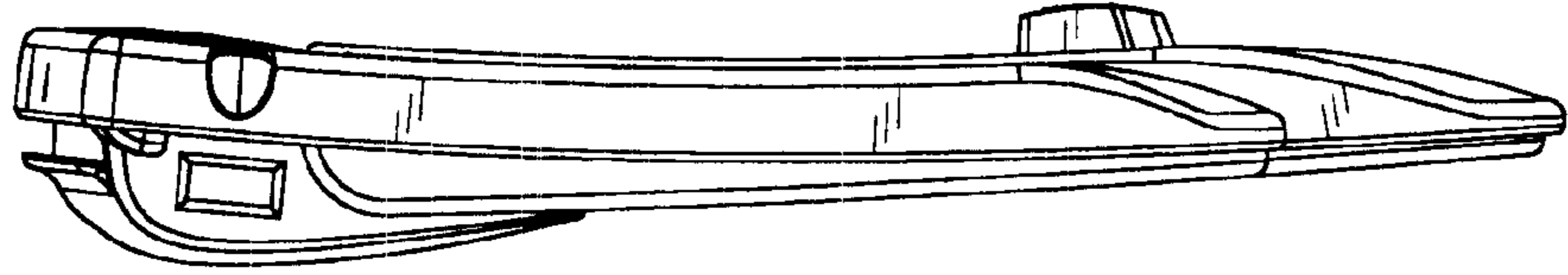


FIG. 7

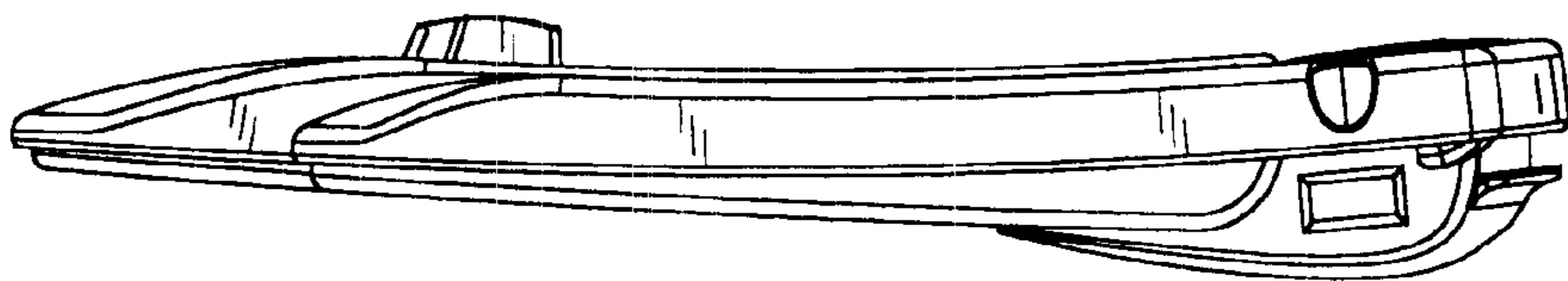


FIG. 8

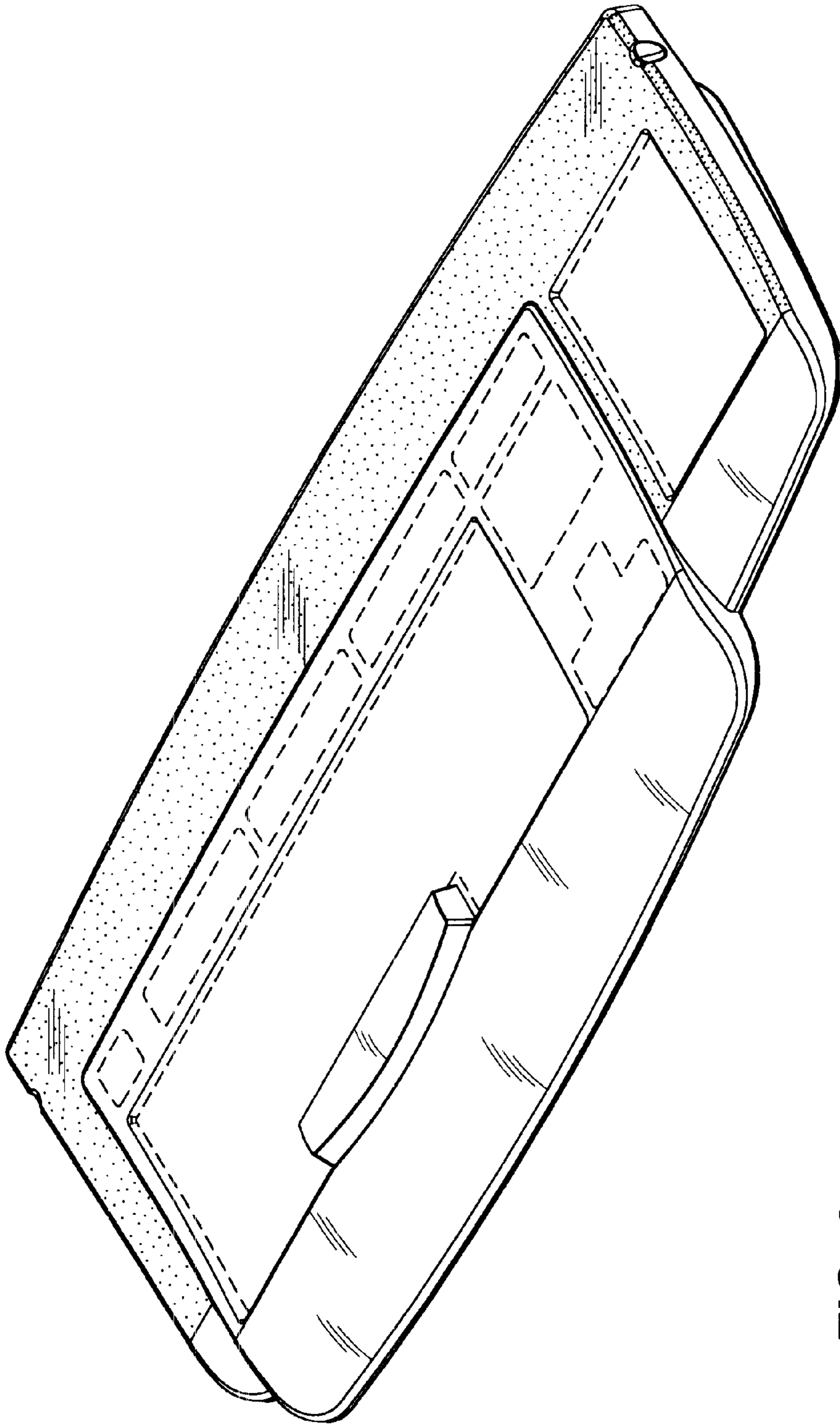


FIG. 9

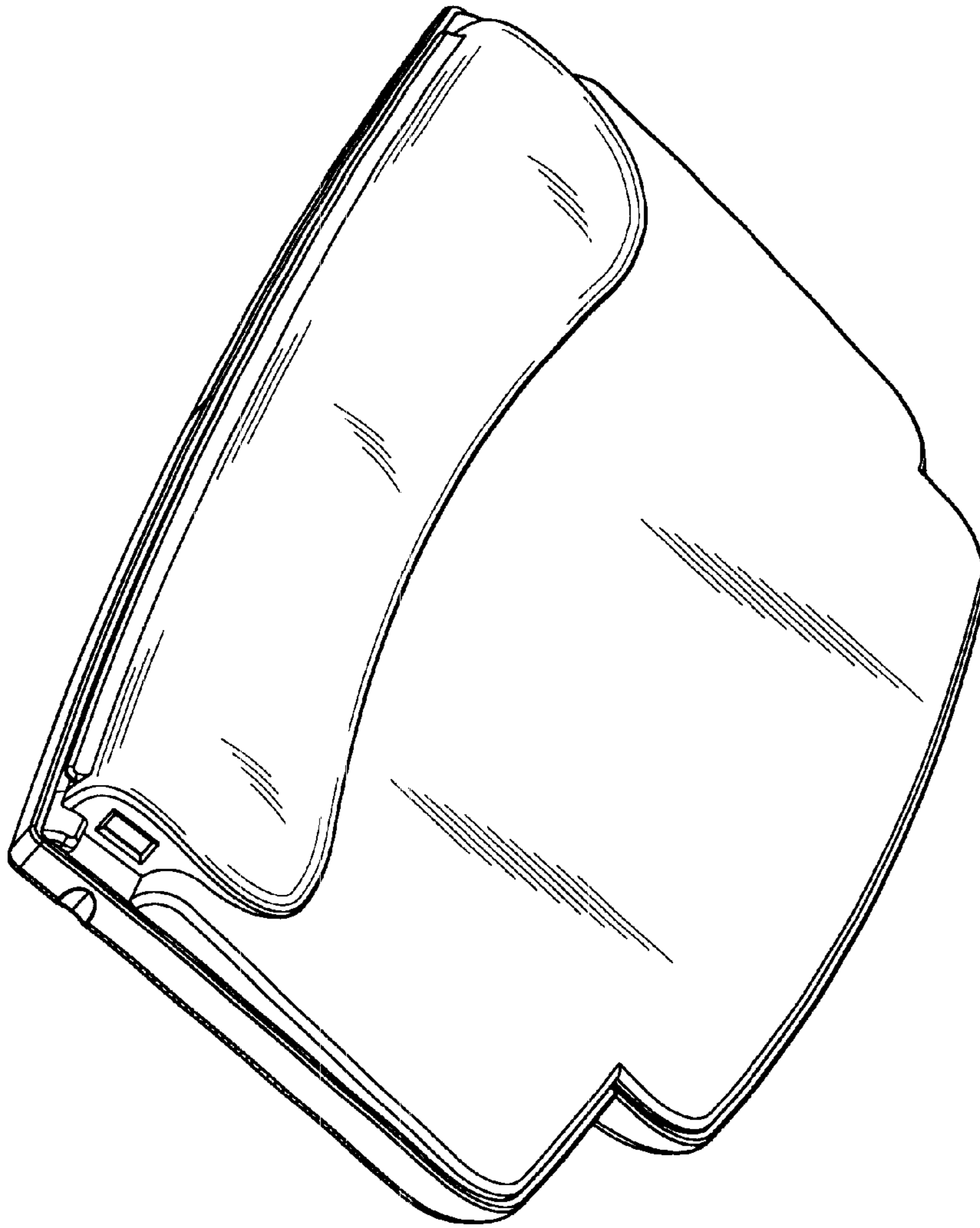


FIG. 10

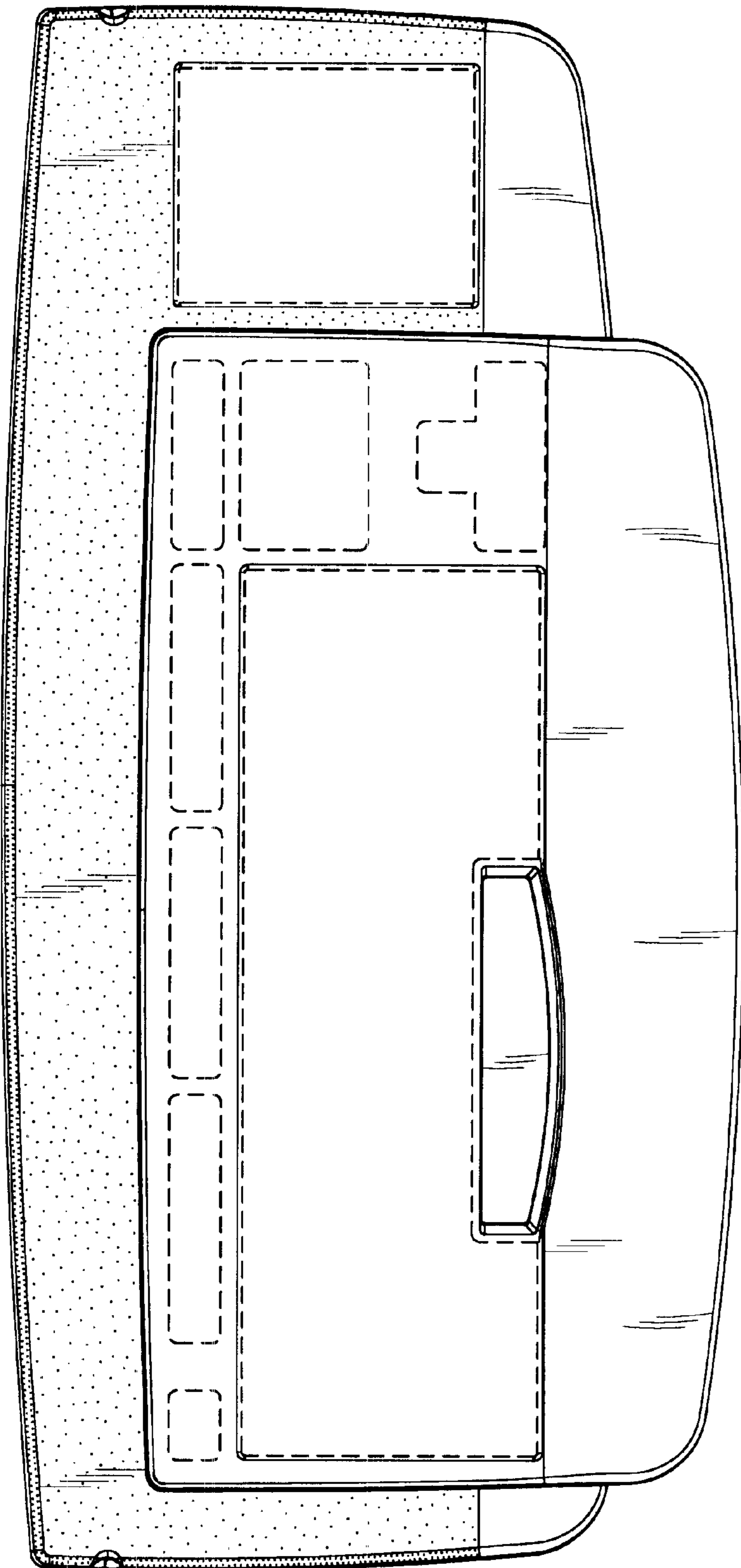


FIG. 11

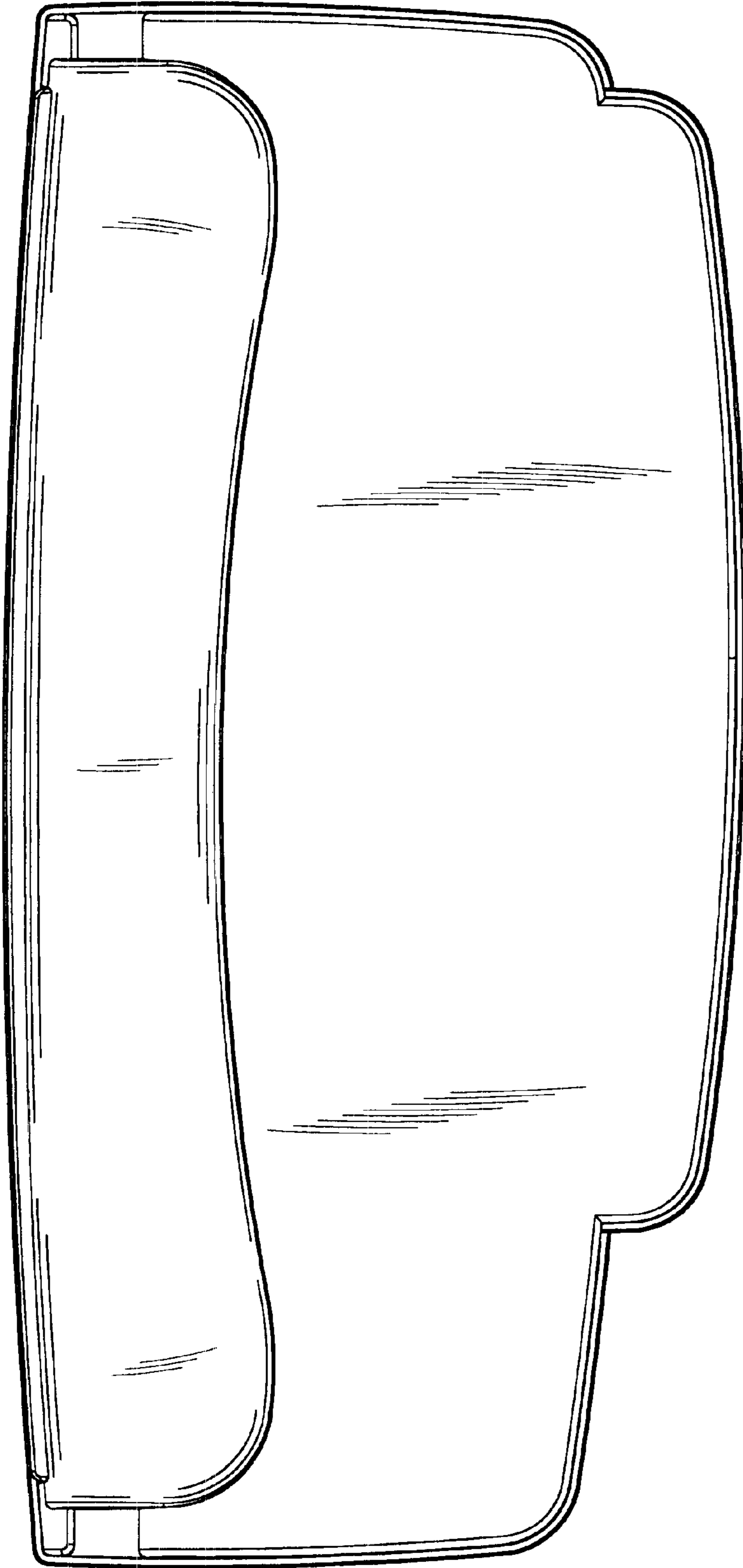


FIG. 12

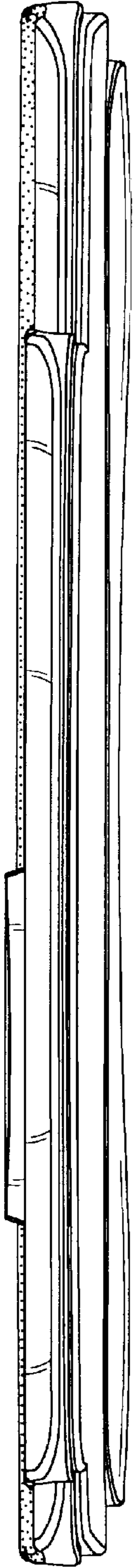


FIG. 13

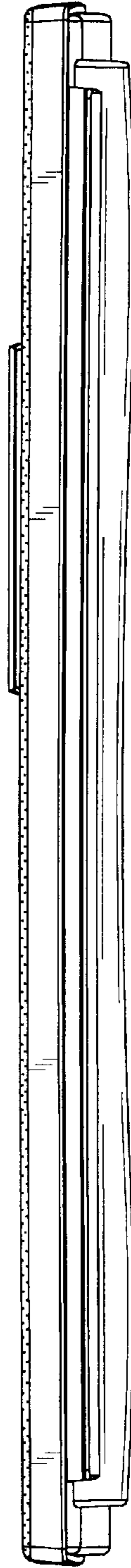


FIG. 14

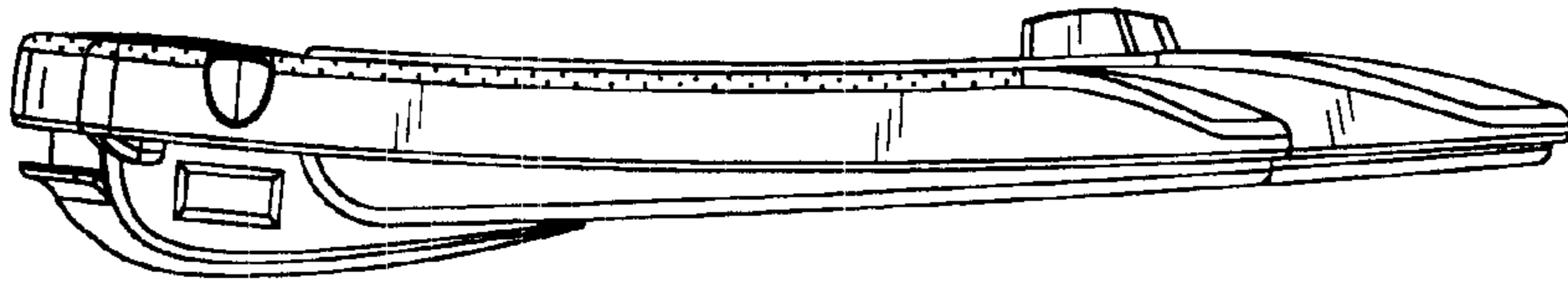


FIG. 15

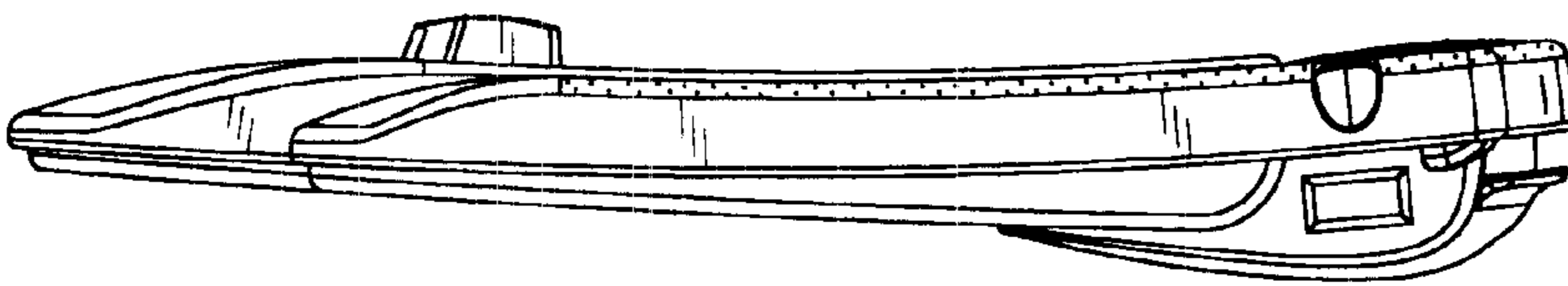


FIG. 16