



US00D462680S

(12) **United States Design Patent**
Hartwig

(10) **Patent No.:** **US D462,680 S**

(45) **Date of Patent:** **** Sep. 10, 2002**

(54) **CARD TERMINAL**

(75) Inventor: **Ingemar Hartwig, Åkersberga (SE)**

(73) Assignee: **Comex Electronics AB, Taby (SE)**

(**) Term: **14 Years**

(21) Appl. No.: **29/149,915**

(22) Filed: **Oct. 23, 2001**

(30) **Foreign Application Priority Data**

Apr. 25, 2001 (SE) 01-0733

(51) **LOC (7) Cl.** **14-02**

(52) **U.S. Cl.** **D14/387**

(58) **Field of Search** D14/385, 399,
D14/387, 383; D18/1, 2, 7, 4.6; 235/380,
382, 382.5, 483, 449; 250/556

(56) **References Cited**

U.S. PATENT DOCUMENTS

D298,944 S * 12/1988 Stark et al. D18/4.6

D308,859 S * 6/1990 Tarver et al. D18/4.6
D311,178 S * 10/1990 Goodner D18/4.6
5,180,905 A * 1/1993 Chen et al. 235/483
5,321,243 A * 6/1994 Groves et al. 235/449
D348,440 S * 7/1994 Nair et al. D14/387
D389,466 S * 1/1998 Nakao et al. D14/387

* cited by examiner

Primary Examiner—Freda Nunn

(74) *Attorney, Agent, or Firm*—Young & Thompson

(57) **CLAIM**

The ornamental design for a card terminal, as shown.

DESCRIPTION

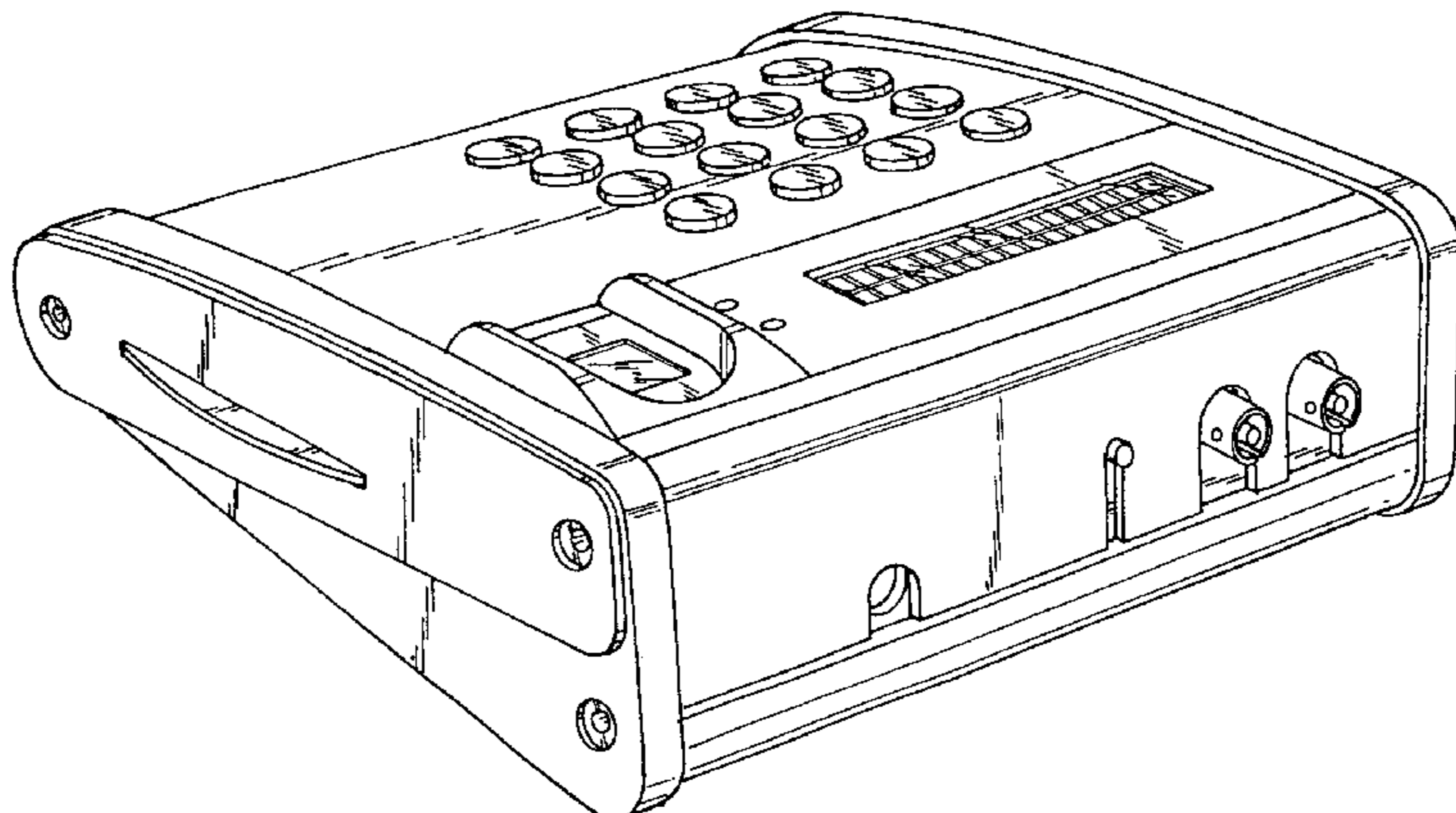
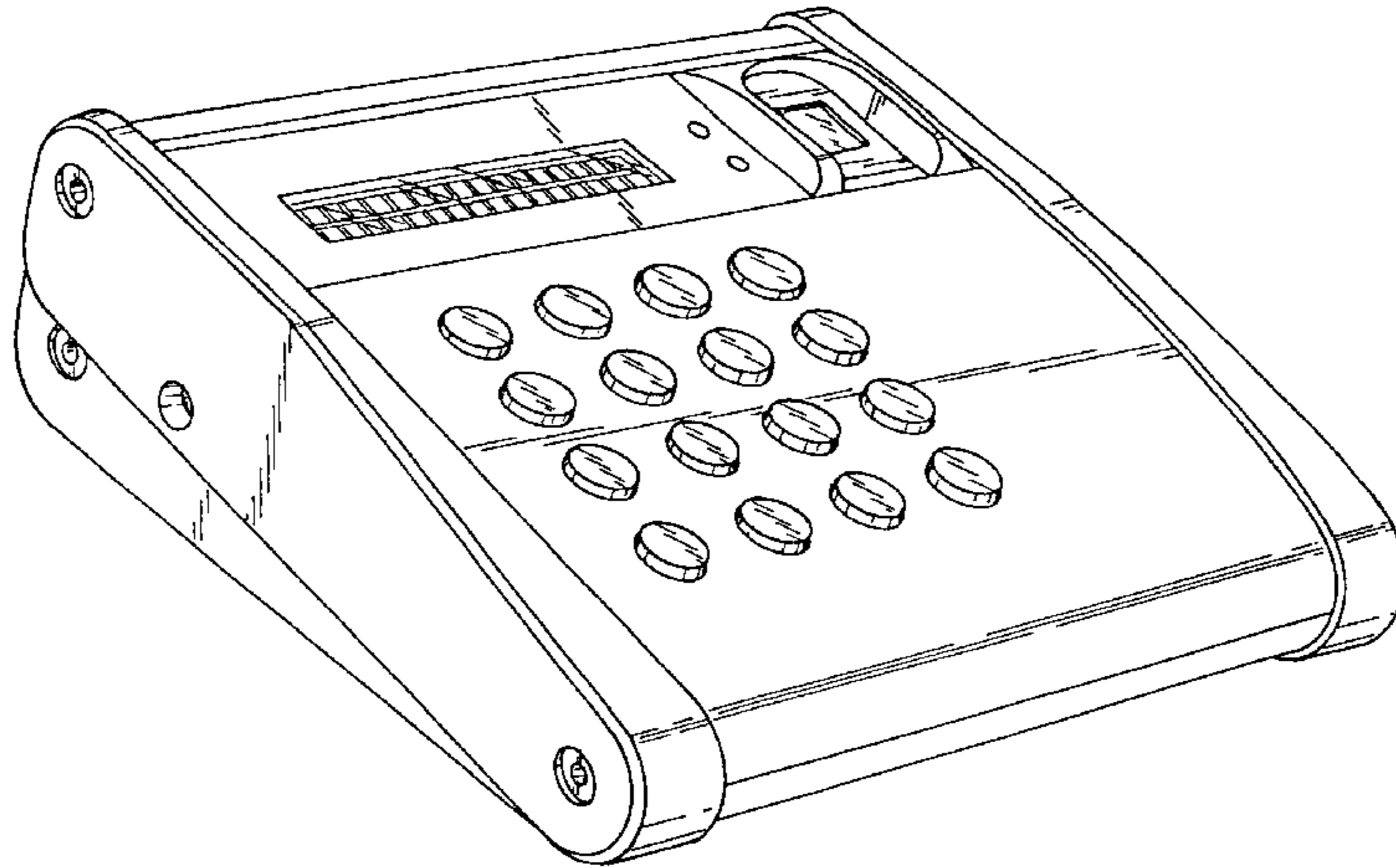
FIG. 1 is a top and right side perspective view of a card terminal, showing my new design;

FIG. 2 is a top and left side perspective view thereof;

FIG. 3 is a rear and left side perspective view thereof; and,

FIG. 4 is a bottom and left side perspective view thereof.

1 Claim, 2 Drawing Sheets



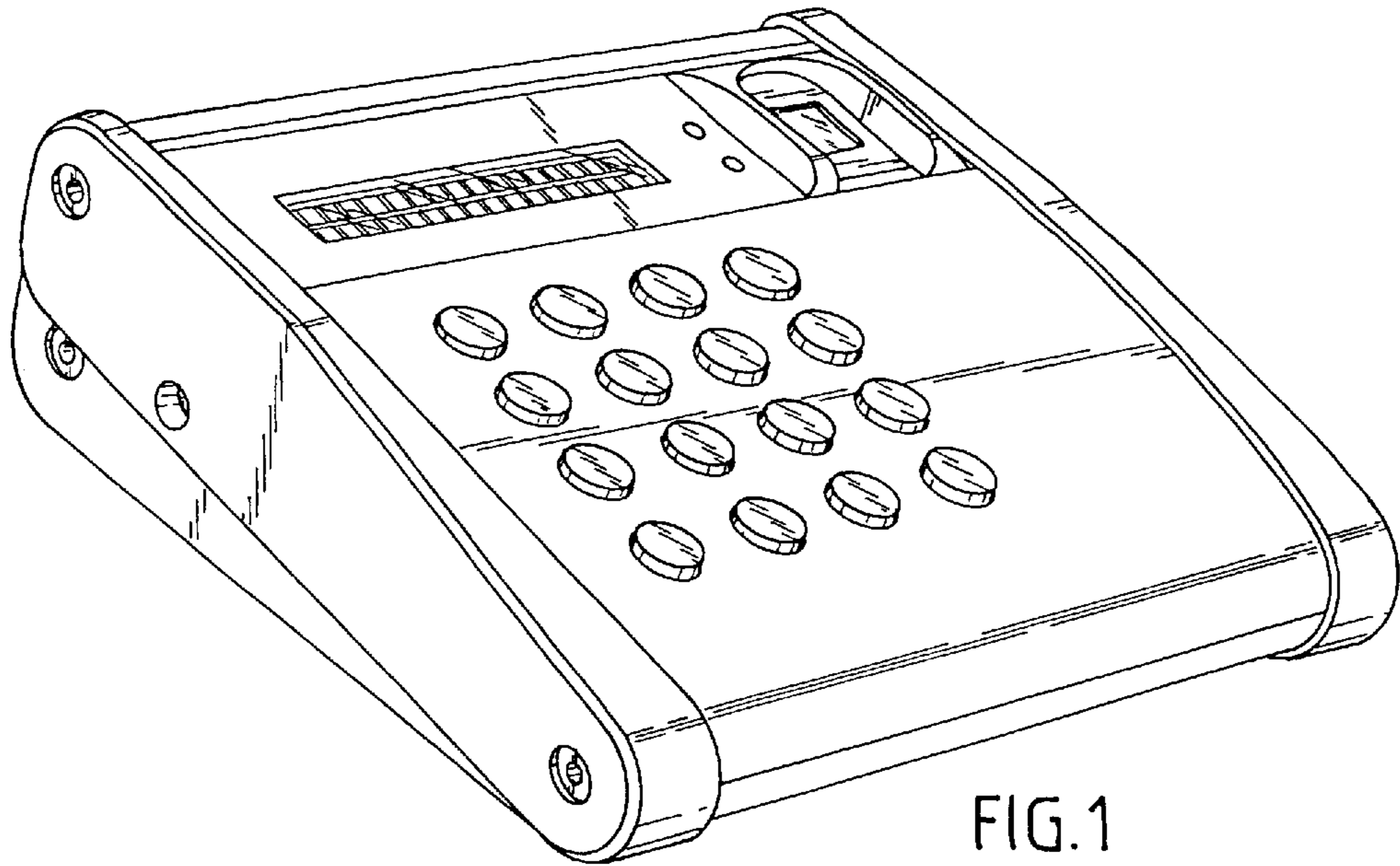


FIG. 1

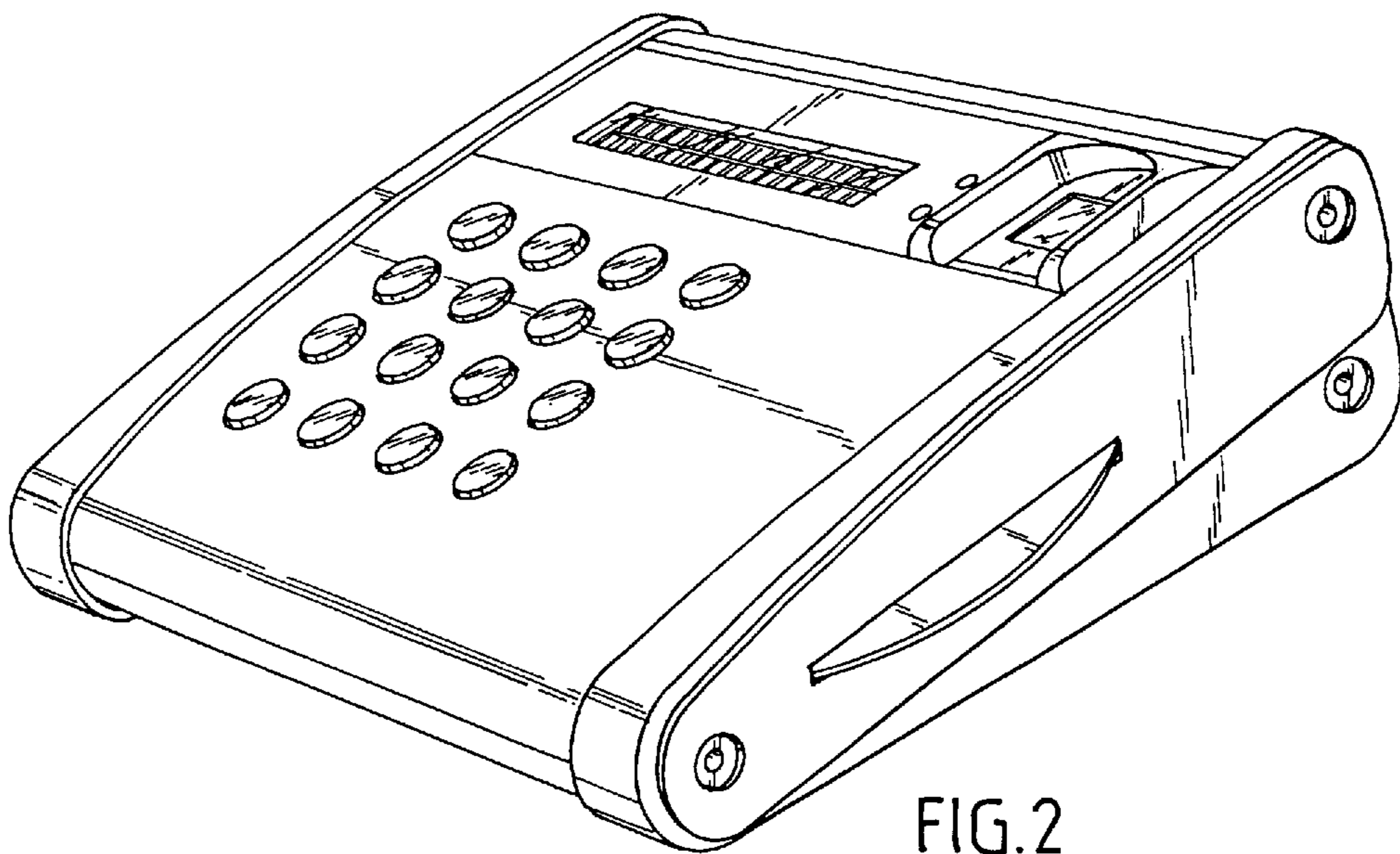


FIG. 2

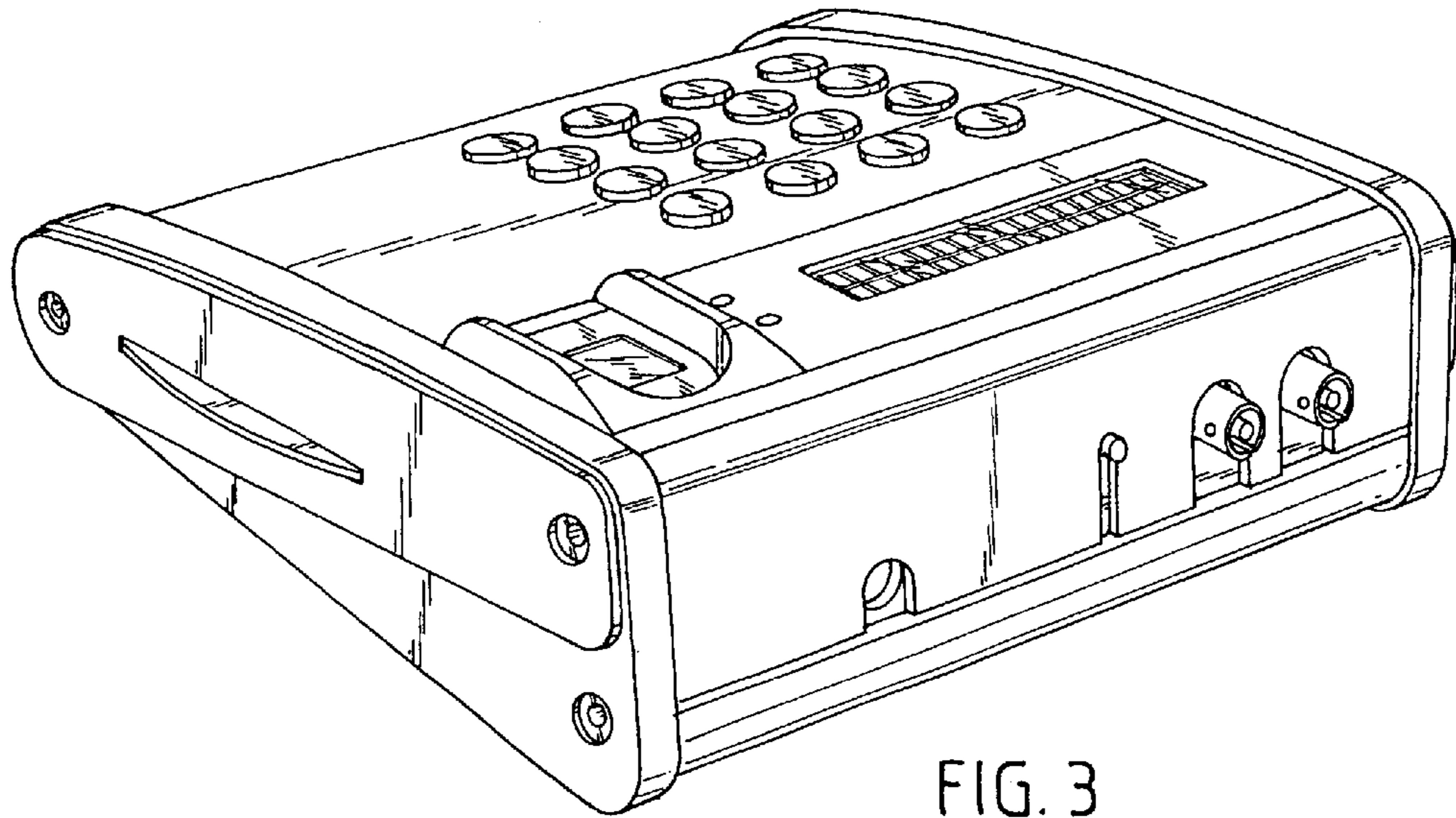


FIG. 3

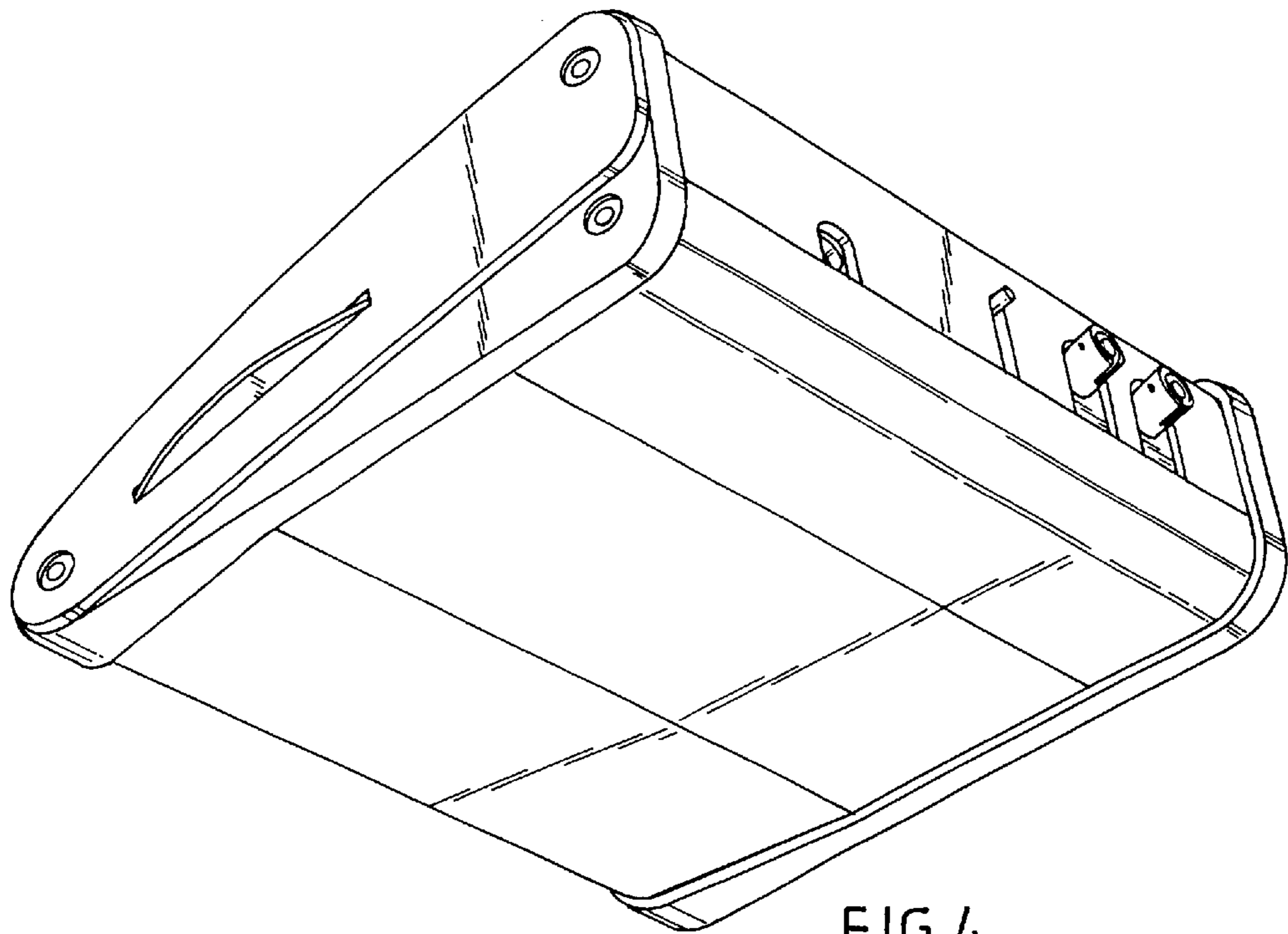


FIG. 4