



US00D462678S

(12) **United States Design Patent**
Abboud

(10) **Patent No.:** **US D462,678 S**

(45) **Date of Patent:** **** Sep. 10, 2002**

(54) **RECTANGULAR COMPUTER TABLE**

(76) Inventor: **Joseph Abboud**, 4806 S. 184th Plz.,
Omaha, NE (US) 68138

(**) Term: **14 Years**

(21) Appl. No.: **29/145,156**

(22) Filed: **Jul. 17, 2001**

(51) **LOC (7) Cl.** **14-02**

(52) **U.S. Cl.** **D14/304**

(58) **Field of Search** D14/304, 305;
D6/422, 480, 486, 396; 312/208.1, 223.1-223.3

(56) **References Cited**

U.S. PATENT DOCUMENTS

| | | | | | |
|-------------|---|---------|----------------|-------|-----------|
| D216,712 S | * | 3/1970 | Cooper | | D6/422 |
| D329,554 S | * | 9/1992 | Diffrient | | D6/486 |
| D360,545 S | * | 7/1995 | Lechman | | D6/422 |
| D372,601 S | * | 8/1996 | Roberts et al. | | D6/422 |
| 5,806,943 A | * | 9/1998 | Dell et al. | | 312/223.3 |
| D432,809 S | * | 10/2000 | Hewitt | | D6/396 |

* cited by examiner

Primary Examiner—Freda Nunn

(74) *Attorney, Agent, or Firm*—Adam H. Jacobs

(57) **CLAIM**

The ornamental design for a rectangular computer table, as shown and described.

DESCRIPTION

FIG. 1 is a perspective view of the rectangular computer table of the present invention;

FIG. 2 is a front inverse view thereof;

FIG. 3 is top plan view thereof;

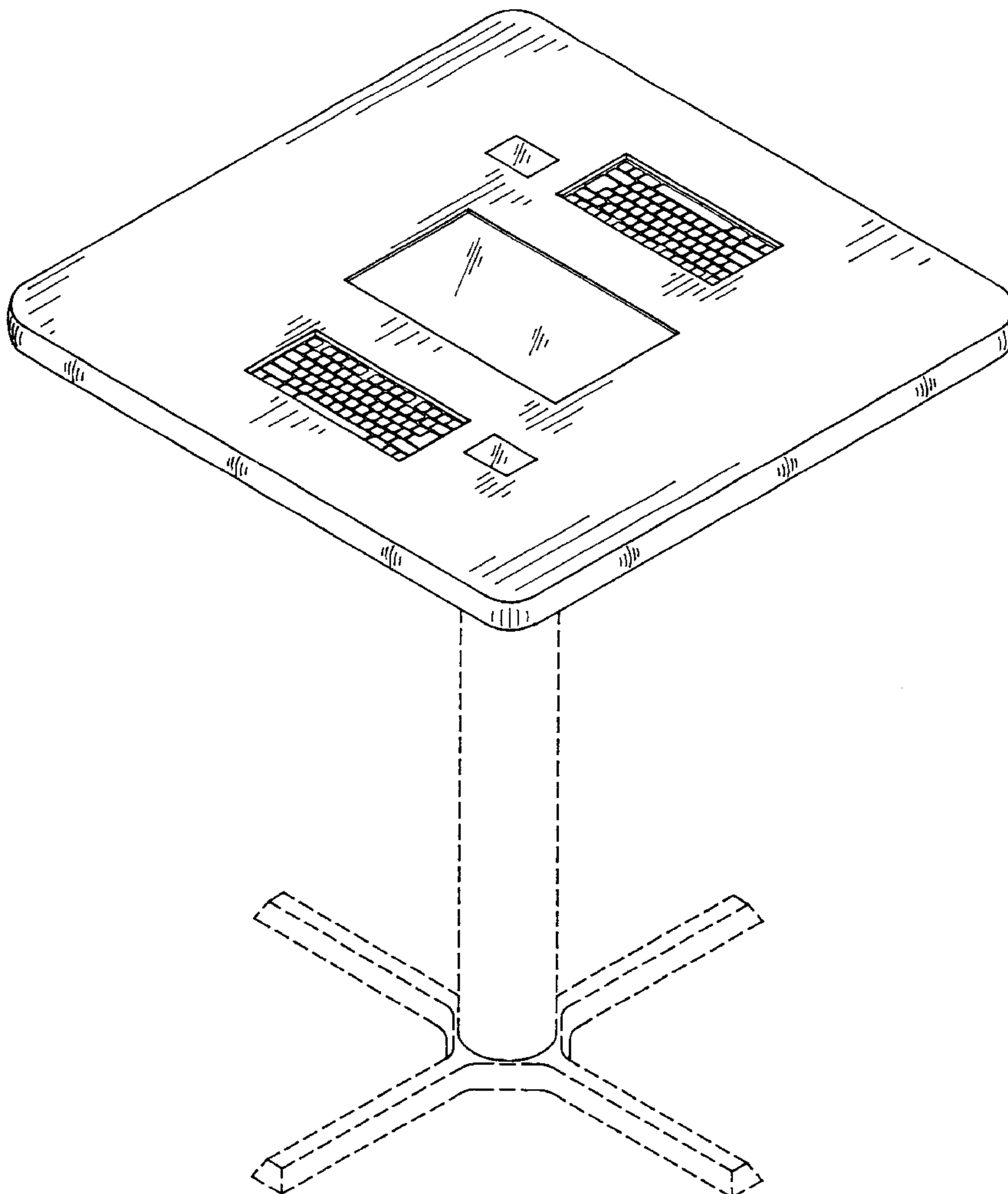
FIG. 4 is a side elevational view thereof;

FIG. 5 is rear elevational view thereof; and,

FIG. 6 is bottom plan view thereof.

The broken line showing the table stand in FIG. 1 is illustrative of environmental structure only and forms no part of the claimed design.

1 Claim, 3 Drawing Sheets



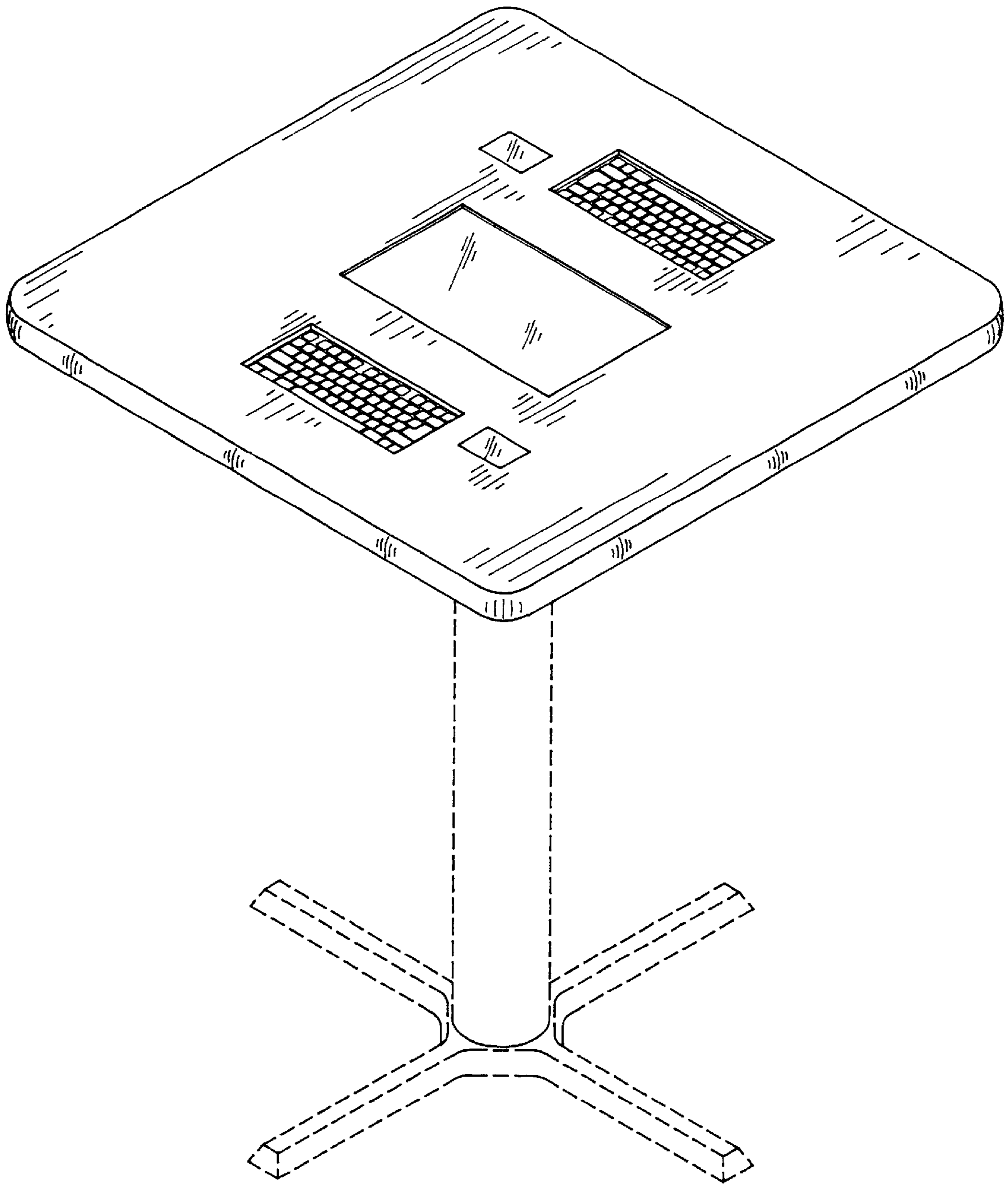


FIG. 1

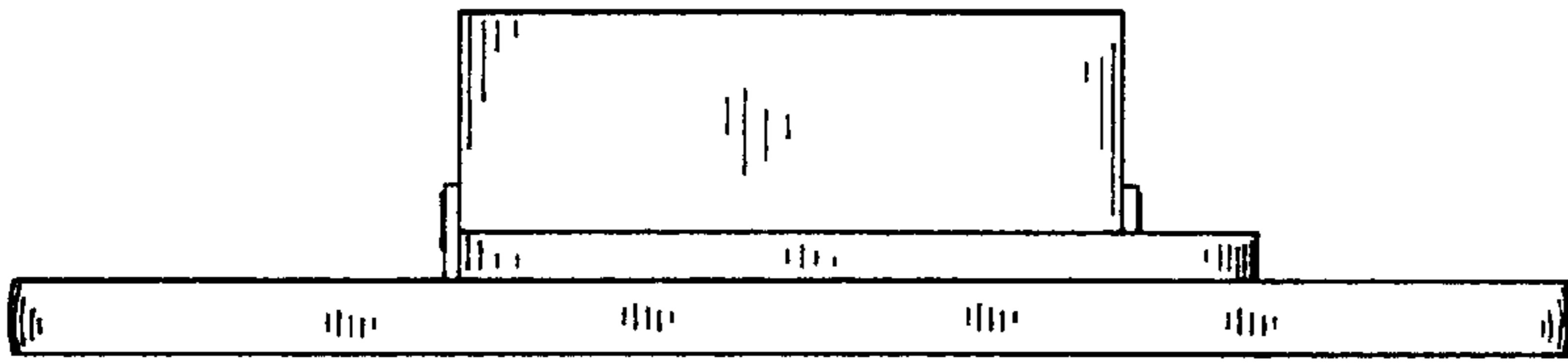


FIG. 2

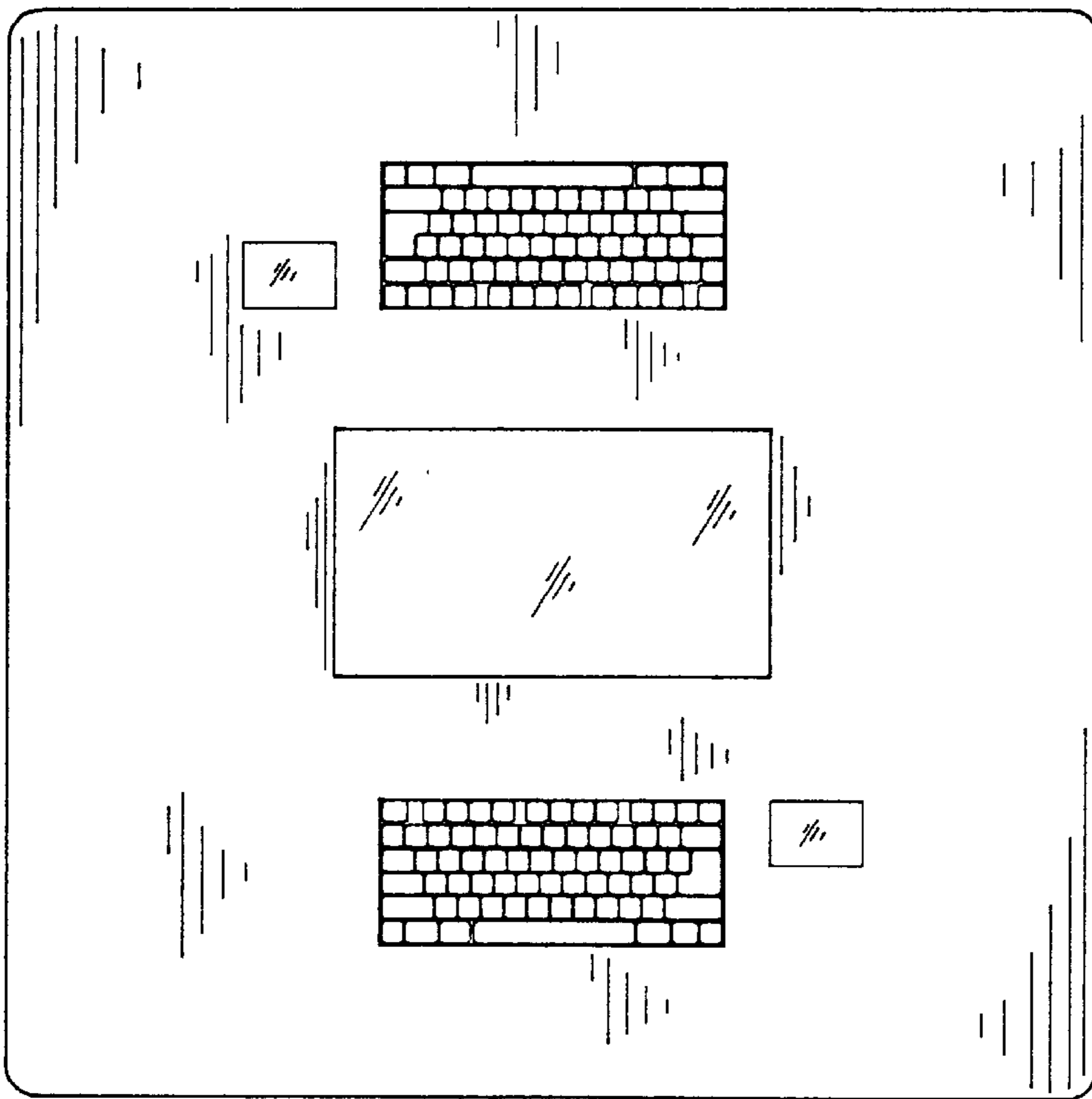


FIG. 3

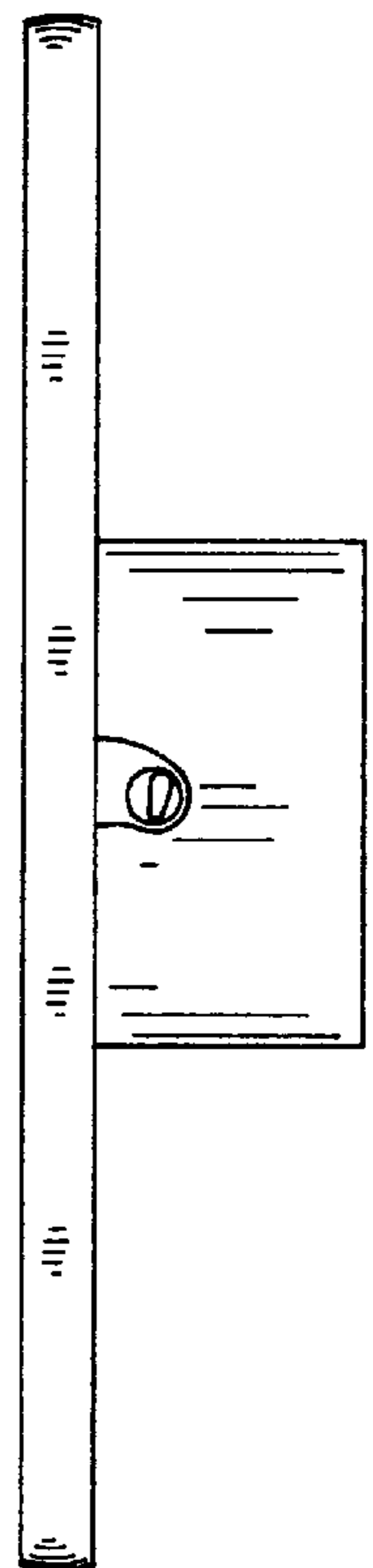


FIG. 4

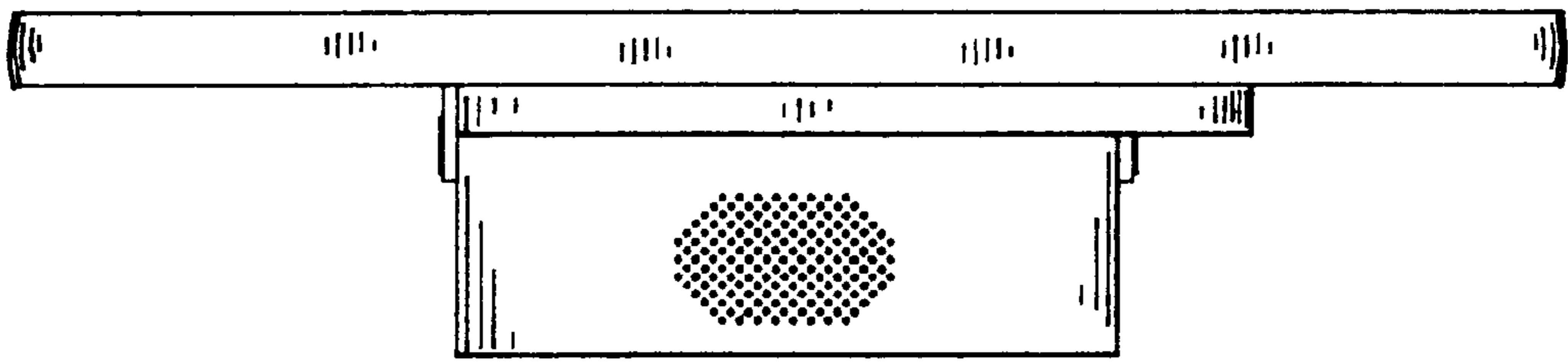


FIG. 5

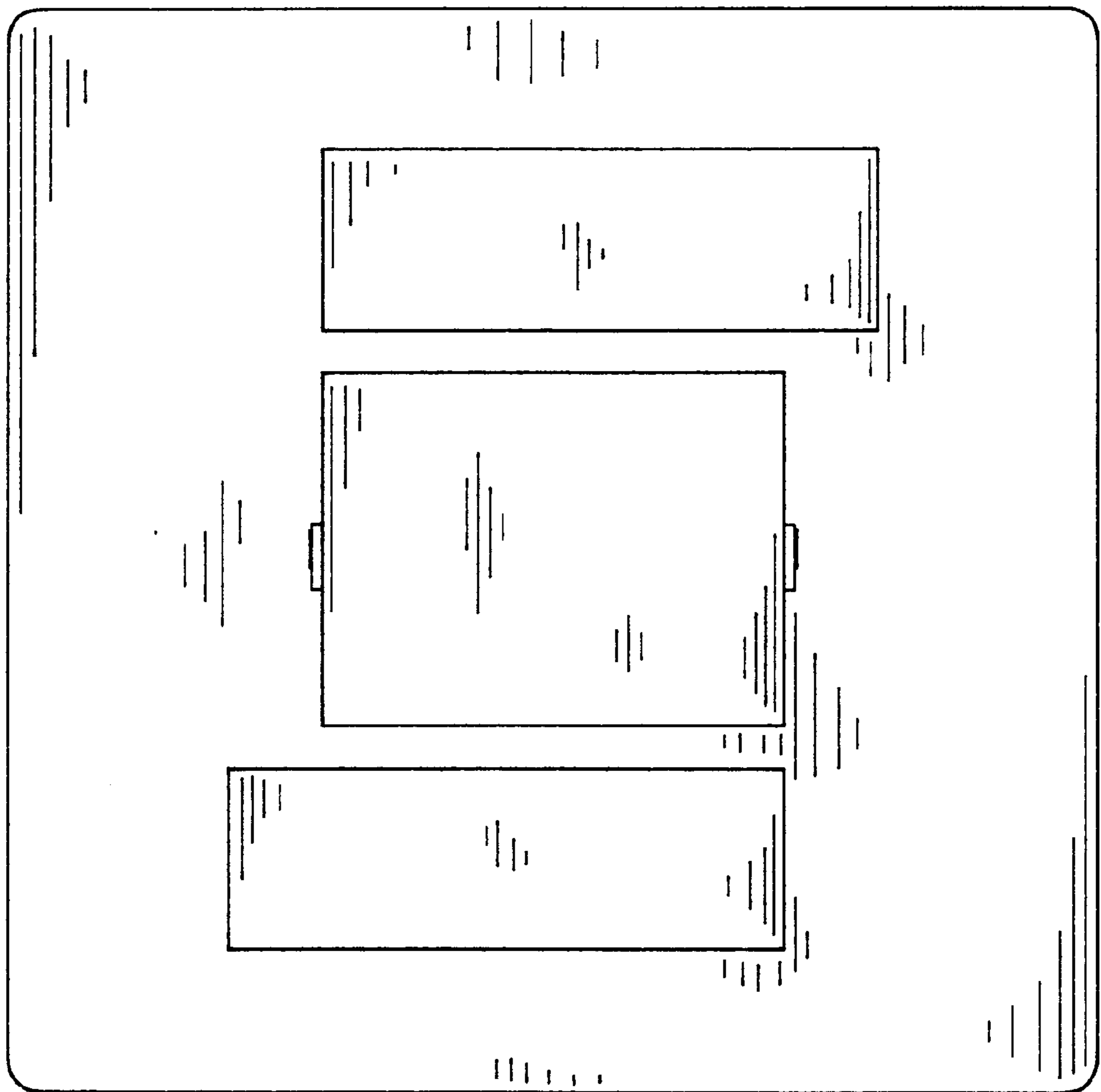


FIG. 6