



US00D462677S

(12) **United States Design Patent**
Eroma

(10) **Patent No.:** **US D462,677 S**

(45) **Date of Patent:** **** Sep. 10, 2002**

(54) **CAR HOLDER FOR A HANDSET**

(75) Inventor: **Valtteri Eroma, Espoo (FI)**

(73) Assignee: **Nokia Mobile Phones Ltd., Espoo (FI)**

(**) Term: **14 Years**

(21) Appl. No.: **29/147,462**

(22) Filed: **Aug. 29, 2001**

(30) **Foreign Application Priority Data**

Mar. 16, 2001 (FI) M-20010190

(51) **LOC (7) Cl.** **14-03**

(52) **U.S. Cl.** **D14/253**

(58) **Field of Search** D14/137, 434,
D14/138, 447, 148, 147, 149-151, 140-142,
240, 241, 251, 253, 451; 379/426, 449,
419, 420.04, 428.01, 440, 454, 455, 446;
455/550-575, 90; D13/107, 108; 320/110,
113, 114, 115; D3/218

(56) **References Cited**

U.S. PATENT DOCUMENTS

D362,004 S	*	9/1995	Nakano et al.	D14/253
D369,606 S	*	5/1996	Marks	D14/218
D370,658 S	*	6/1996	Siddoway et al.	D13/108
D385,283 S	*	10/1997	Snyder et al.	D14/253
D386,495 S	*	11/1997	Schmoll	D14/149
D389,159 S	*	1/1998	Patterson et al.	D14/253

5,790,661 A	*	8/1998	Patterson	379/446
D400,209 S	*	10/1998	Williams et al.	D14/253
5,822,427 A	*	10/1998	Braitberg et al.	379/454
D405,801 S	*	2/1999	Nagele et al.	D14/253
D412,910 S	*	8/1999	Peiker	D14/253
D413,607 S	*	9/1999	Lindahl	D14/253
6,009,168 A	*	12/1999	Snyder et al.	379/446
D421,443 S	*	3/2000	Nagele et al.	D14/253
D425,908 S	*	5/2000	Collins	D14/253
D428,002 S	*	7/2000	Lindahl	D14/253
D432,530 S	*	10/2000	Lindahl	D14/253
D437,315 S	*	2/2001	Hunt	D14/253
D441,713 S	*	5/2001	Gartrell	D13/108
D444,449 S	*	7/2001	Yamamoto	D13/107

* cited by examiner

Primary Examiner—Jeffrey Asch

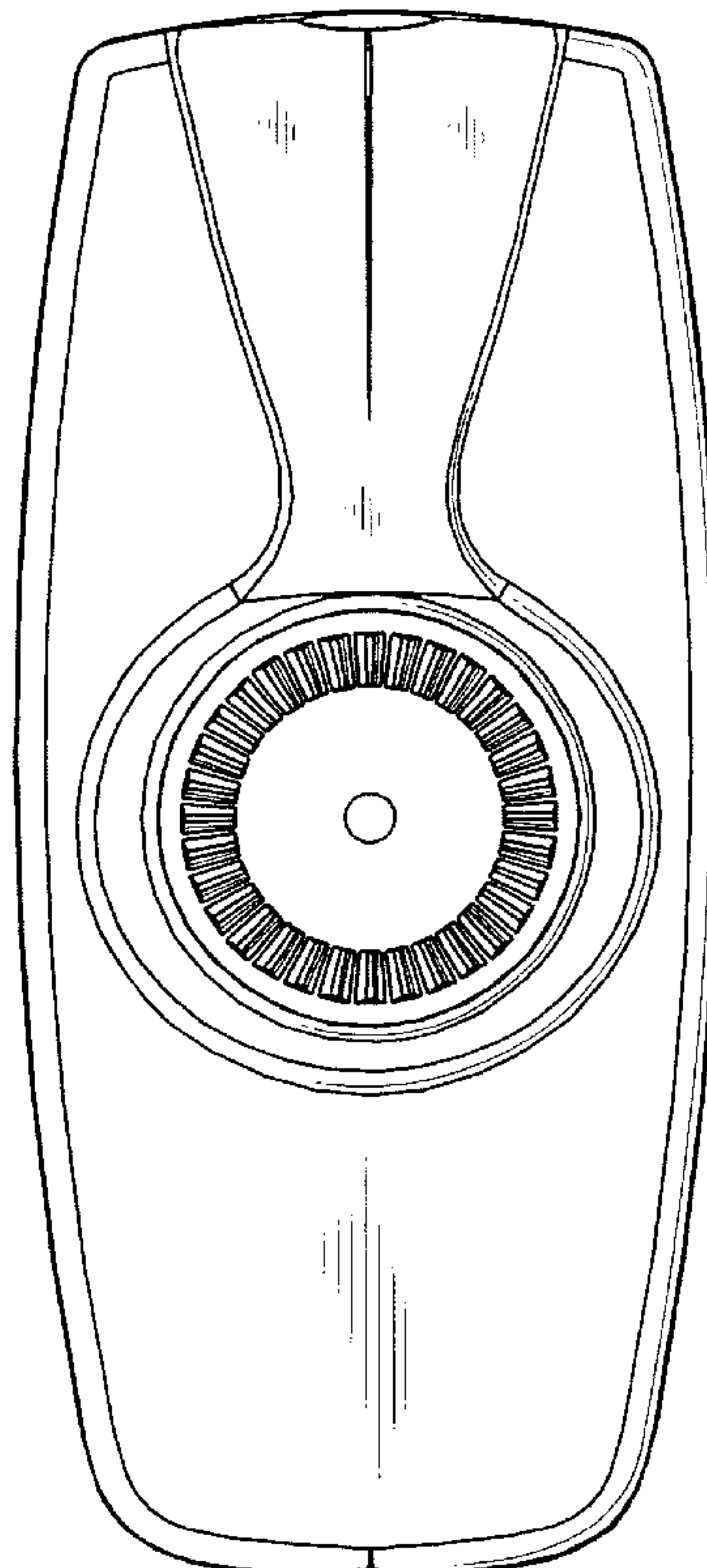
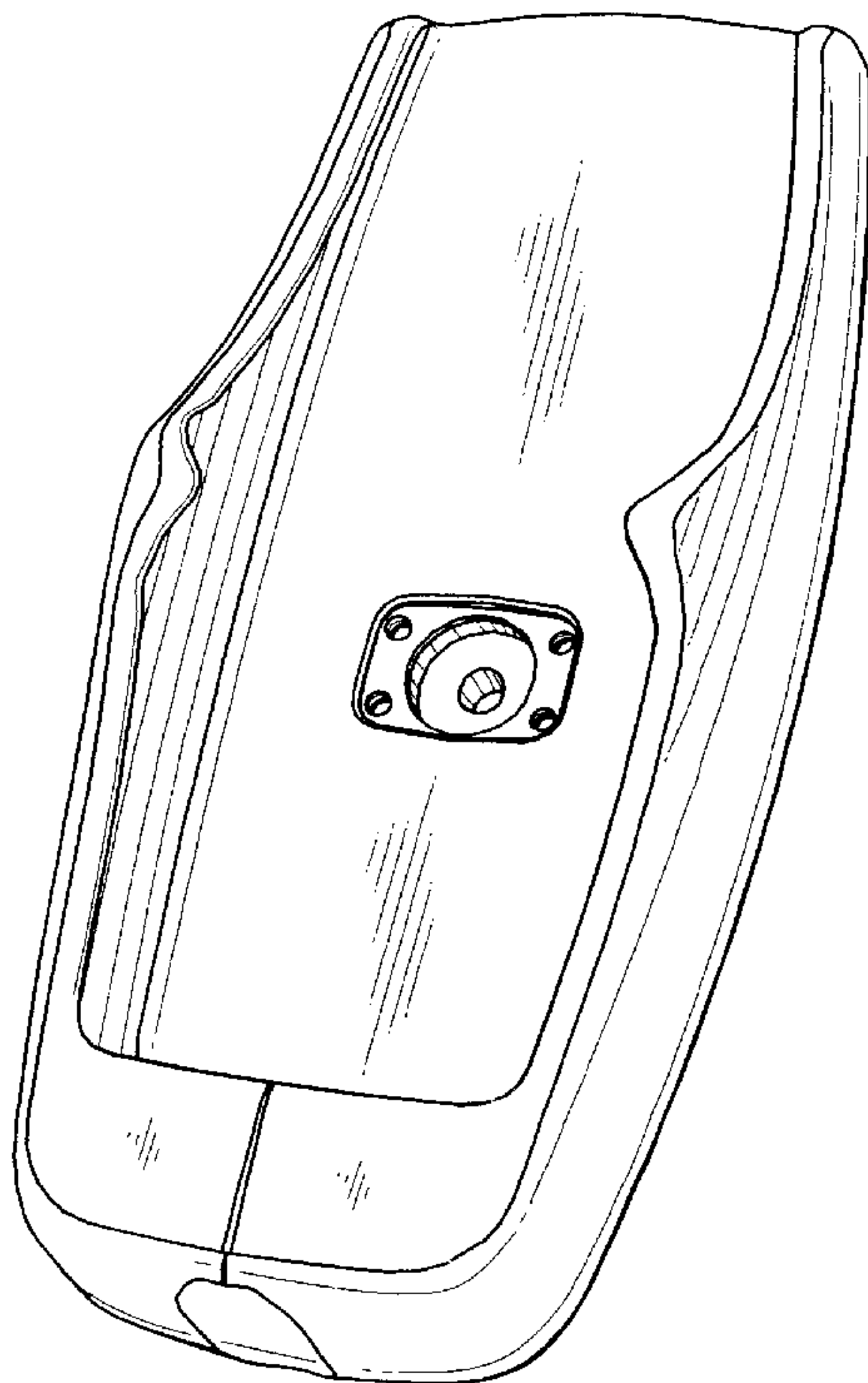
(57) **CLAIM**

The ornamental design for a car holder for a handset, as shown.

DESCRIPTION

FIG. 1 is a left side view of the car holder for a handset; FIG. 2 is a front view thereof; FIG. 3 is a right side view thereof; FIG. 4 is a perspective front view thereof; FIG. 5 is a top plan view thereof; FIG. 6 is a bottom plan view thereof; FIG. 7 is a rear view thereof; and, FIG. 8 is a perspective rear view thereof.

1 Claim, 7 Drawing Sheets



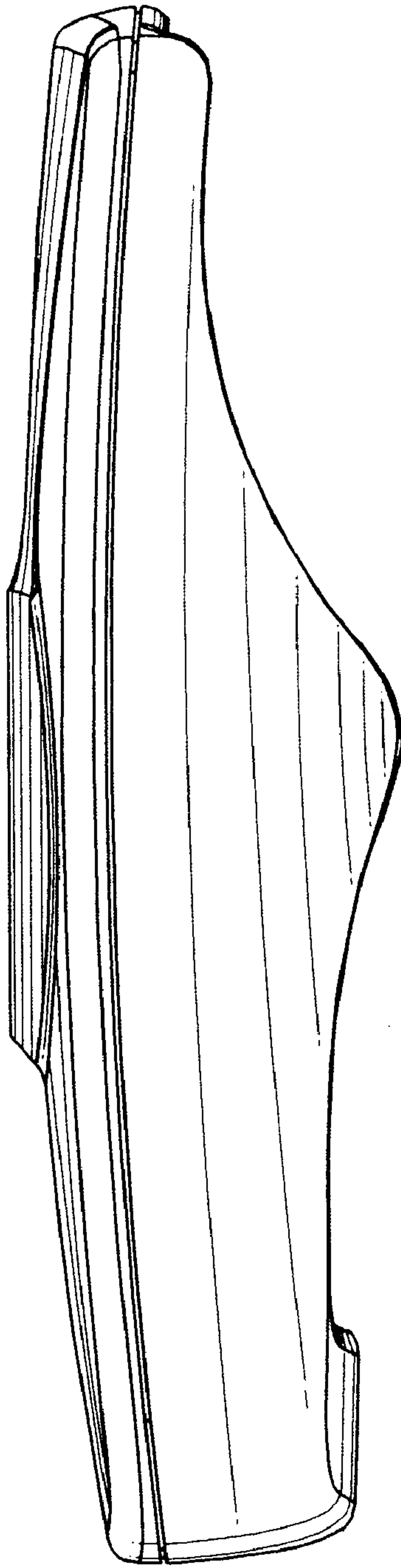


Fig. 1

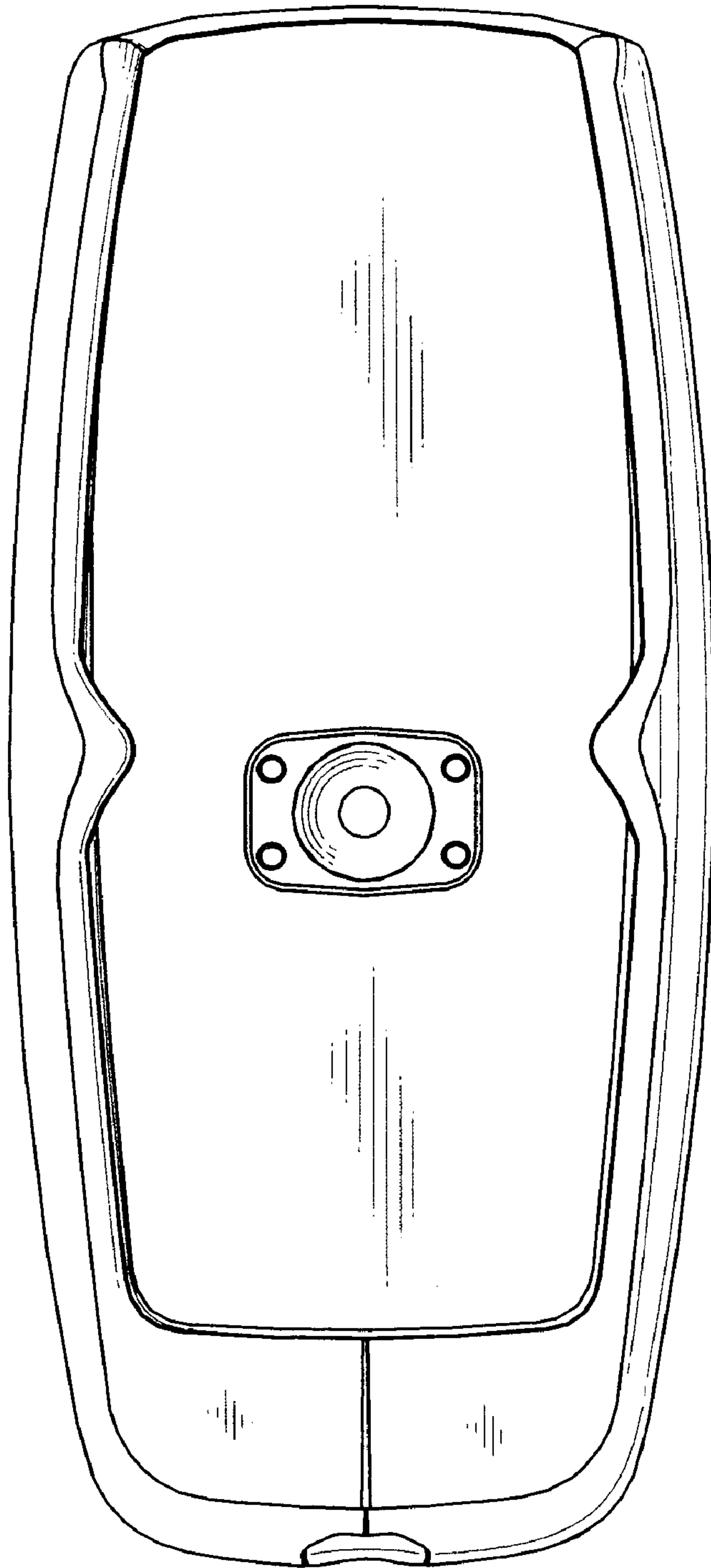


Fig. 2



Fig. 3

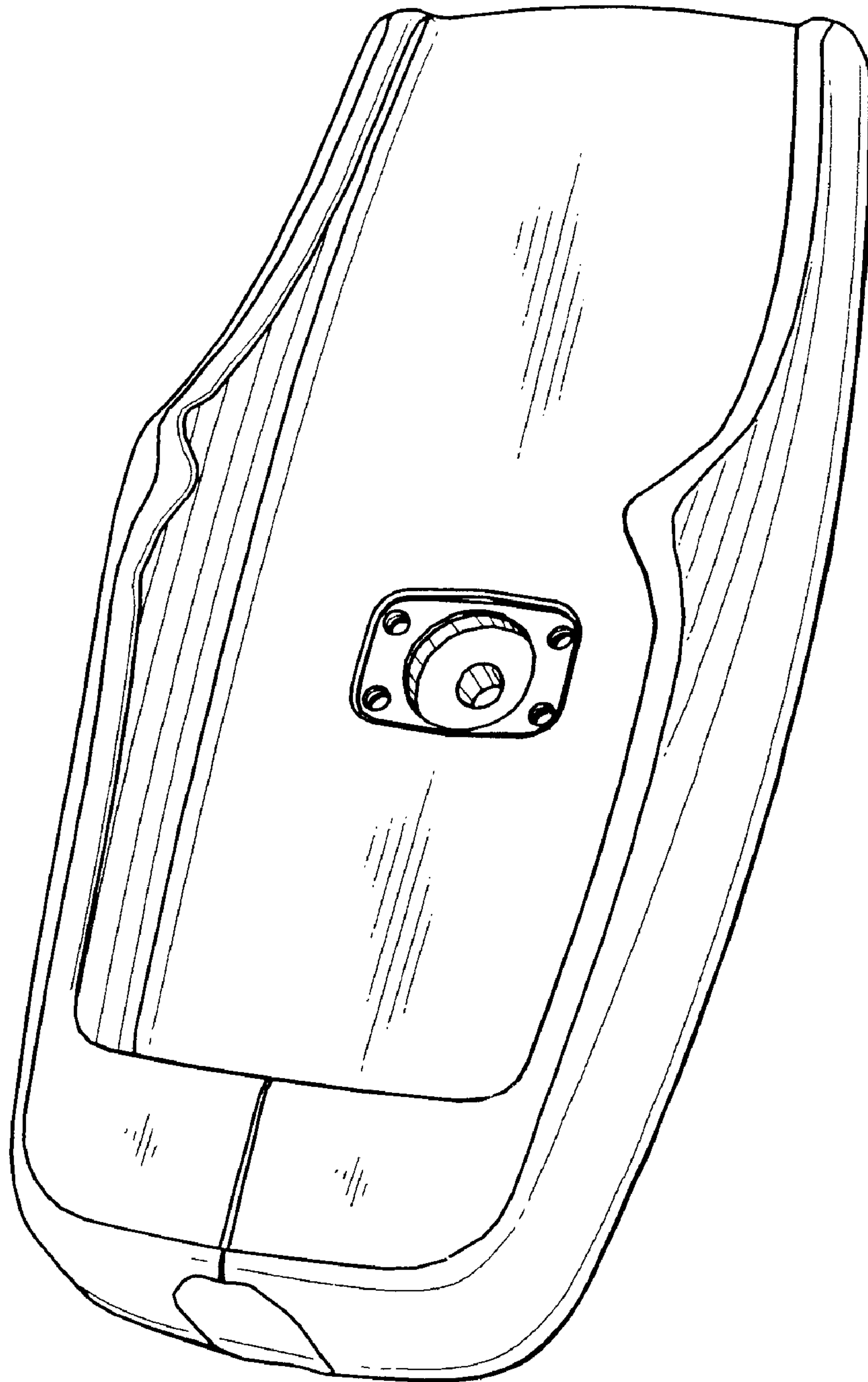


Fig. 4

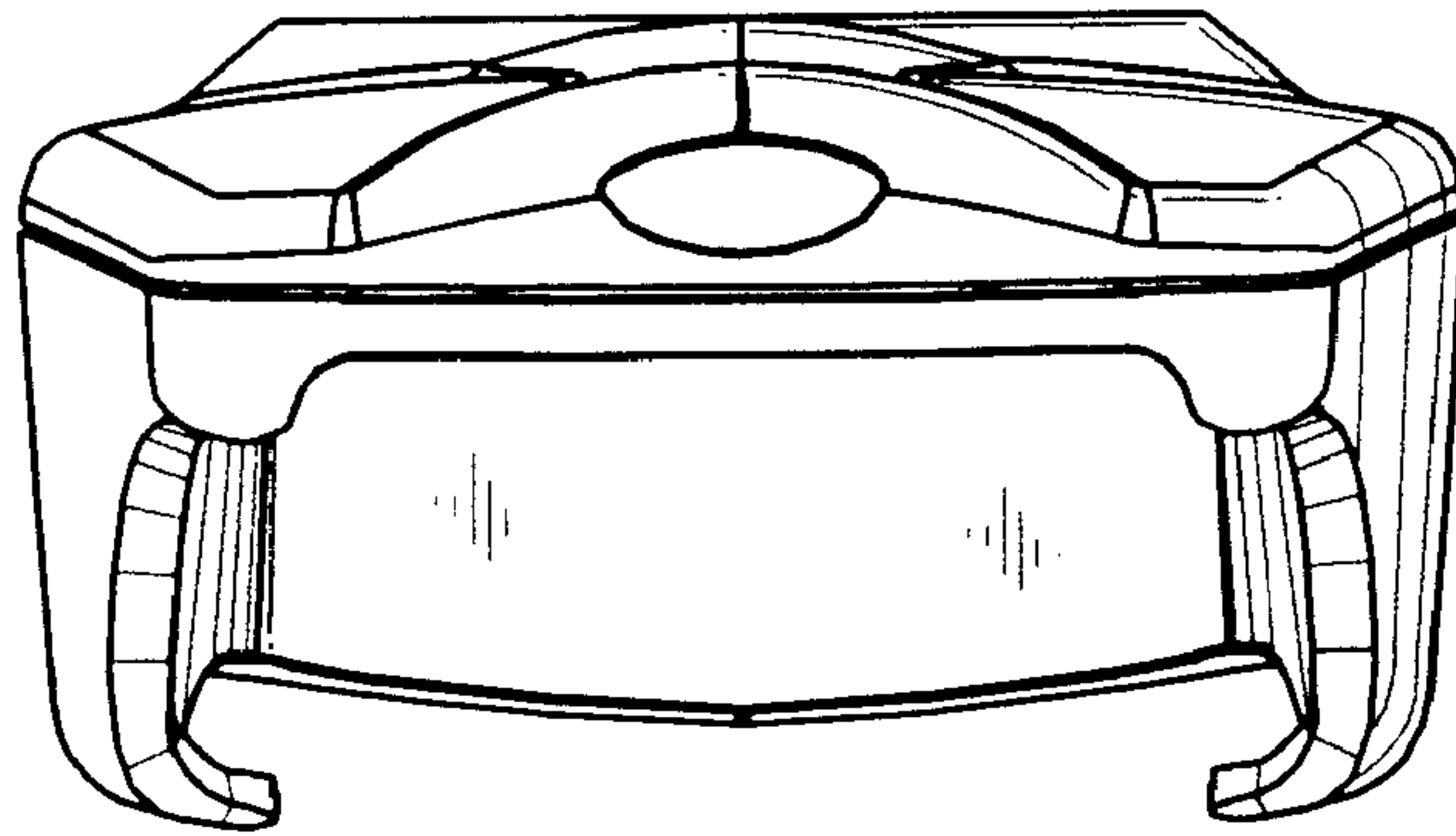


Fig. 5

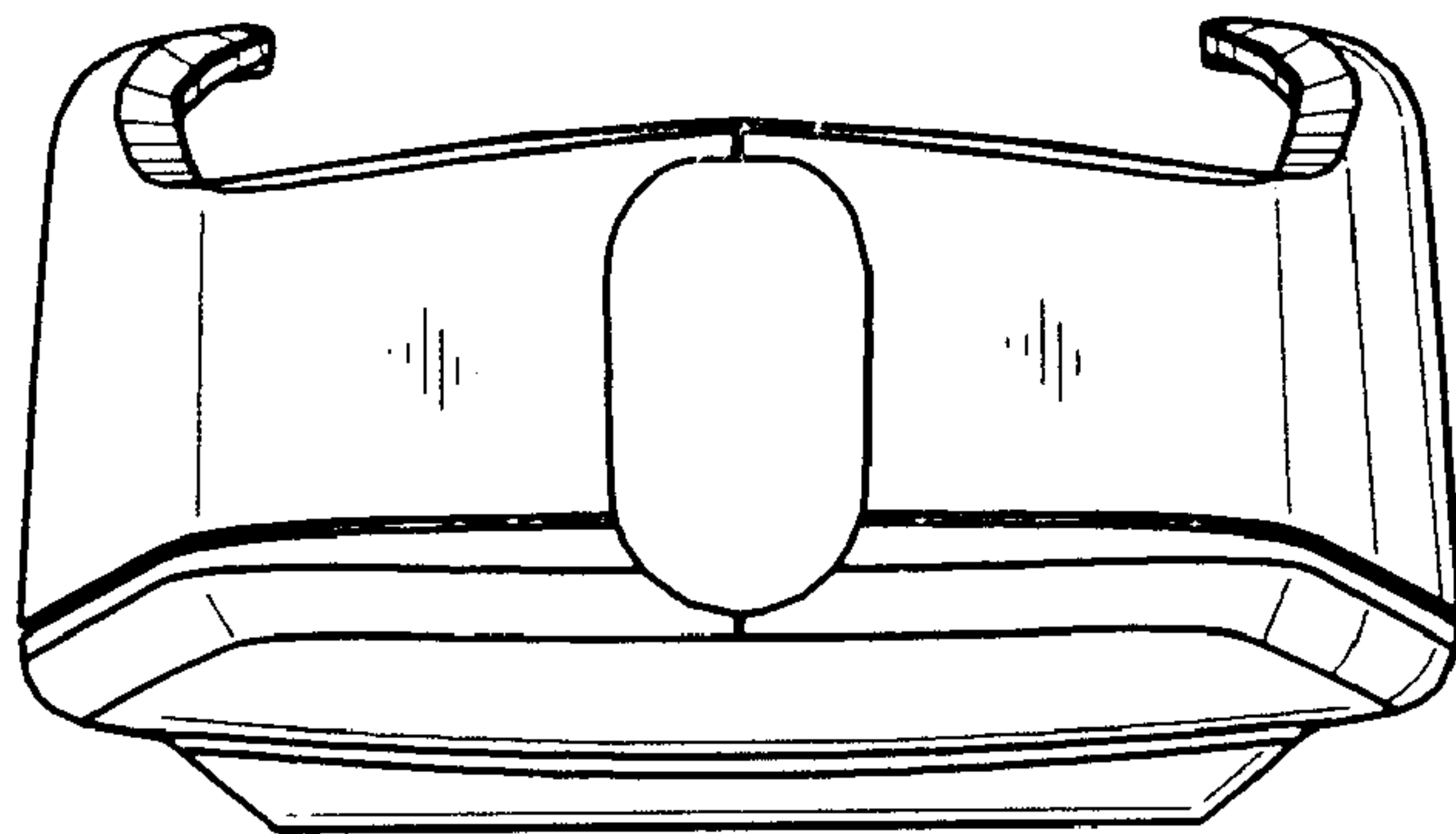


Fig. 6

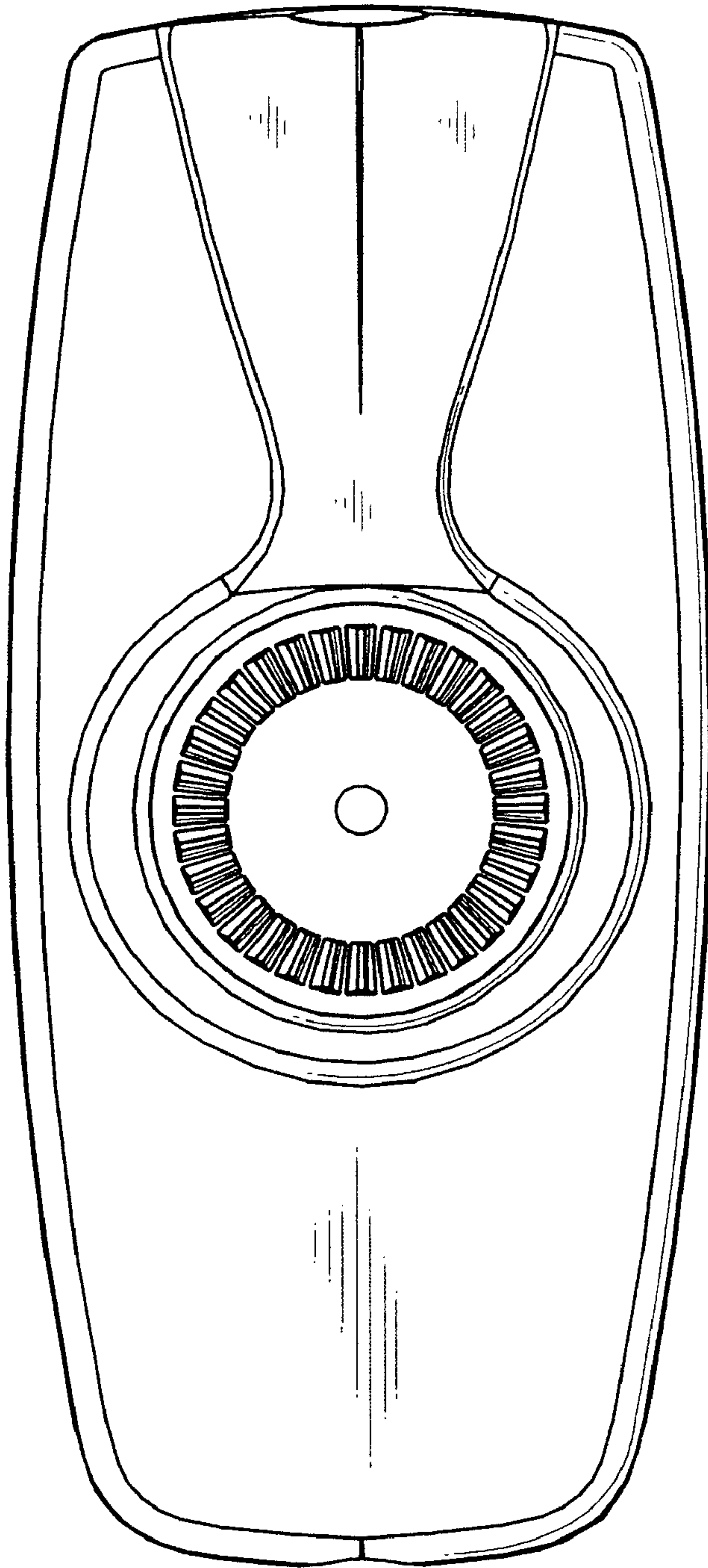


Fig. 7

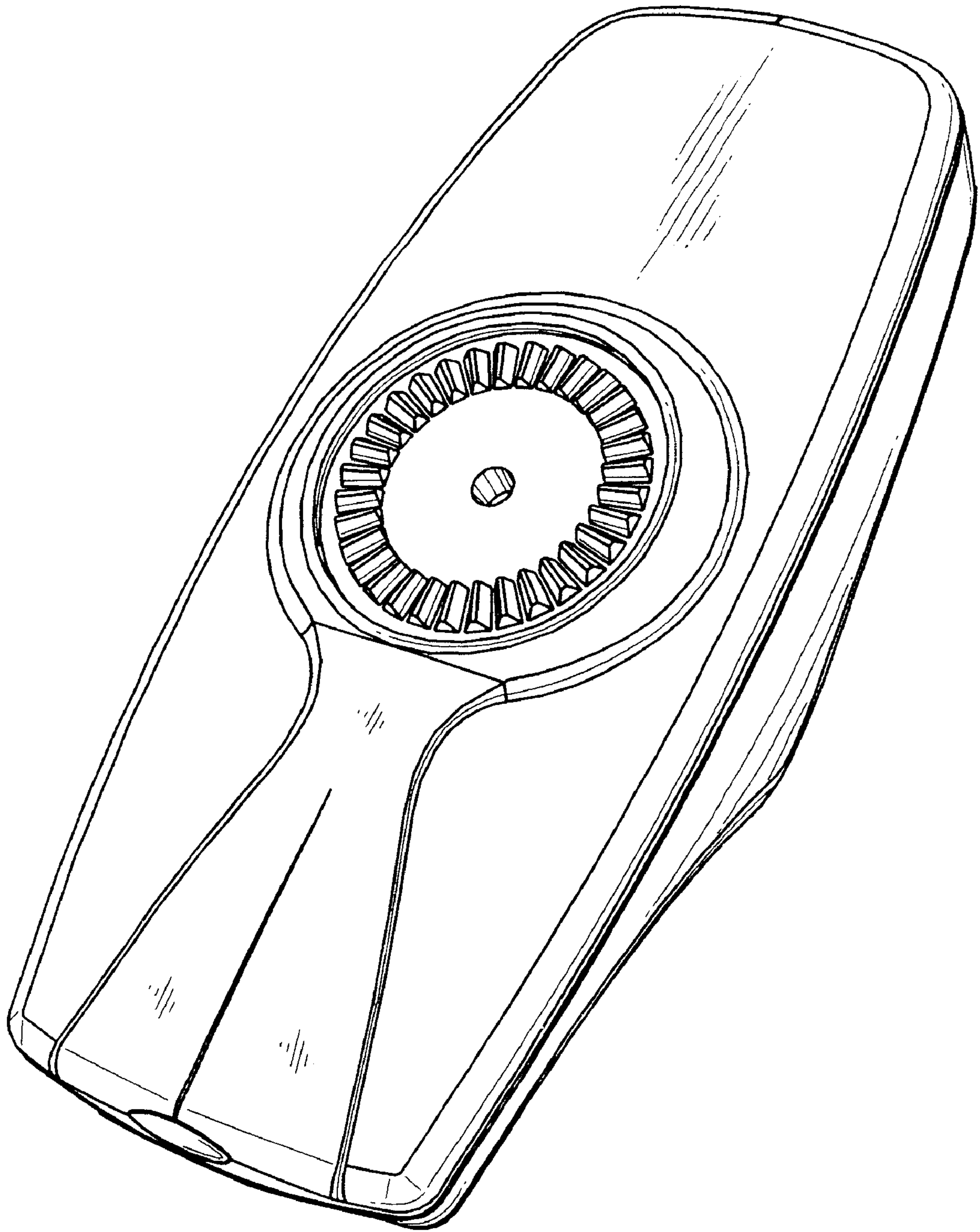


Fig. 8