



US00D462676S

(12) **United States Design Patent**
Södling

(10) **Patent No.:** **US D462,676 S**

(45) **Date of Patent:** **** Sep. 10, 2002**

(54) **APPLICATION SERVER FOR SHORT RANGE RADIO COMMUNICATION**

(75) **Inventor:** **Urban Södling, Hälsö (SE)**

(73) **Assignee:** **Telefonaktiebolaget LM Ericsson (publ), Stockholm (SE)**

(**) **Term:** **14 Years**

(21) **Appl. No.:** **29/137,087**

(22) **Filed:** **Feb. 14, 2001**

(30) **Foreign Application Priority Data**

Aug. 15, 2000 (SE) 00-1466

(51) **LOC (7) Cl.** **14-03**

(52) **U.S. Cl.** **D14/240**

(58) **Field of Search** D14/137, 240, D14/138, 242, 308, 356, 357, 358, 311, 313, 441, 144, 348-355, 370, 341-347, 125, 432, 433, 155, 299, 257, 439, 140, 188, 230, 241, 243, 245; 379/433.01-433.13, 419, 434, 428.01-428.04, 420.01-420.04, 440, 441, 442; 455/550-575, 90; D13/184, 123, 152, 147, 110

(56) **References Cited**

U.S. PATENT DOCUMENTS

- D301,877 S * 6/1989 Greenberg et al. D14/242
- D316,853 S * 5/1991 Dickey D14/357
- D337,757 S * 7/1993 Wu D13/184
- D346,607 S * 5/1994 Bhargava et al. D14/242
- D354,500 S * 1/1995 Georgopoulos D14/242
- D355,172 S * 2/1995 Hadaegh D14/242

- D359,287 S * 6/1995 Heberling et al. D14/242
- D362,240 S * 9/1995 Heidorn et al. D14/357
- D363,722 S * 10/1995 Aldridge et al. D14/242
- D368,097 S * 3/1996 Heberling et al. D14/242
- D383,131 S * 9/1997 Biasotti et al. D14/149
- D384,672 S * 10/1997 Heberling D14/242
- D386,473 S * 11/1997 England et al. D13/147
- D395,315 S * 6/1998 Liao D14/242
- D408,024 S * 4/1999 Wilson, Sr. et al. D14/356
- D413,578 S * 9/1999 Larson et al. D13/152
- D416,023 S * 11/1999 Du D14/242
- D427,193 S * 6/2000 Fedele D14/348
- D435,041 S * 12/2000 Coker et al. D14/240
- D437,314 S * 2/2001 DeLeon D14/242

* cited by examiner

Primary Examiner—Jeffrey Asch

(74) *Attorney, Agent, or Firm*—Burns, Doane, Swecker & Mathis, L.L.P.

(57) **CLAIM**

The ornamental design for an application server for short range radio communication, as shown and described.

DESCRIPTION

FIG. 1 is a top, left side perspective view of an application server for short range radio communication showing my new design;

FIG. 2 is a bottom, right side perspective view thereof;

FIG. 3 is a top plan view thereof;

FIG. 4 is a bottom plan view thereof;

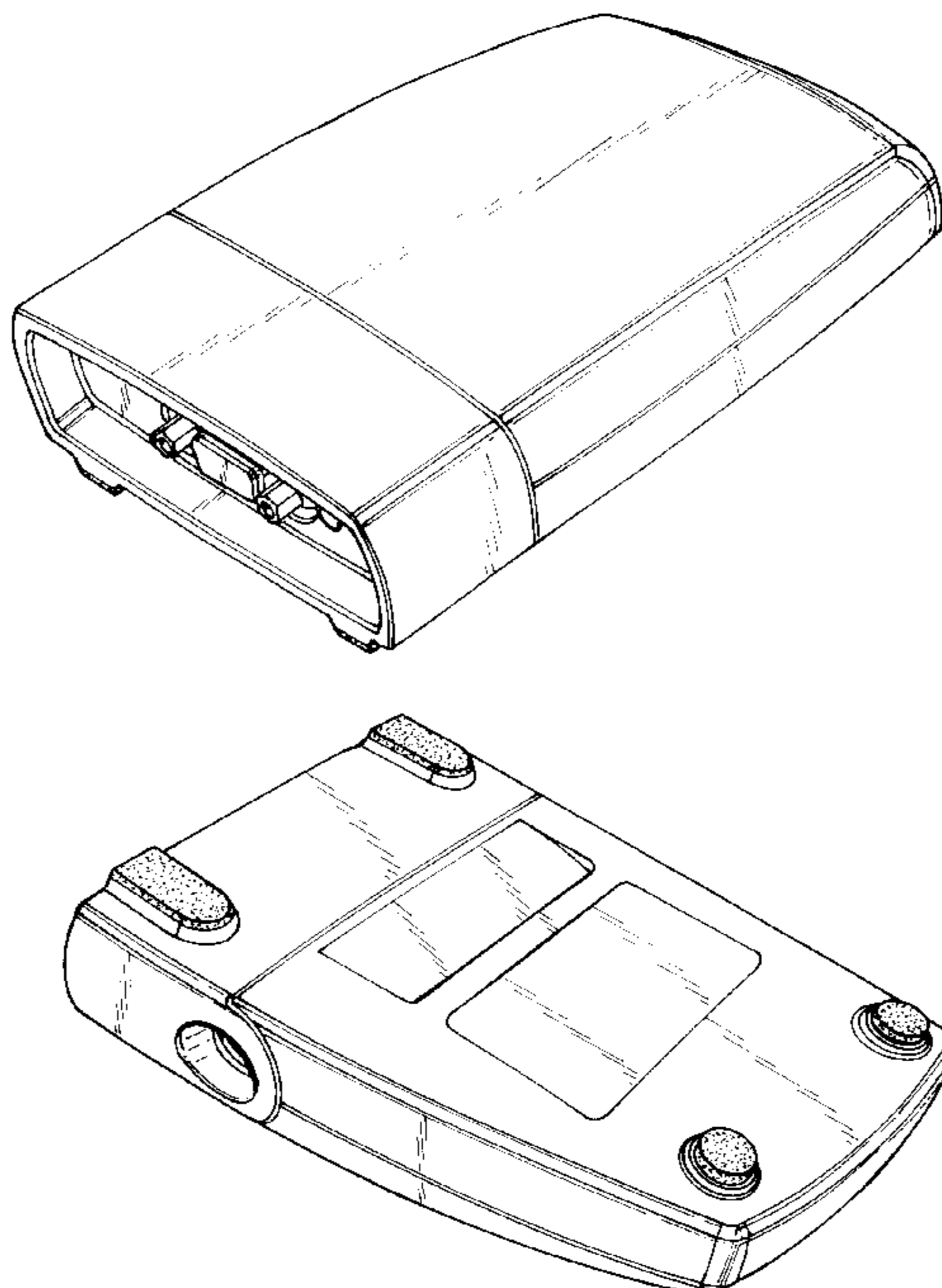
FIG. 5 is a right side elevational view thereof;

FIG. 6 is a left side elevational view thereof;

FIG. 7 is a front elevational view thereof; and,

FIG. 8 is a rear elevational view thereof.

1 Claim, 2 Drawing Sheets



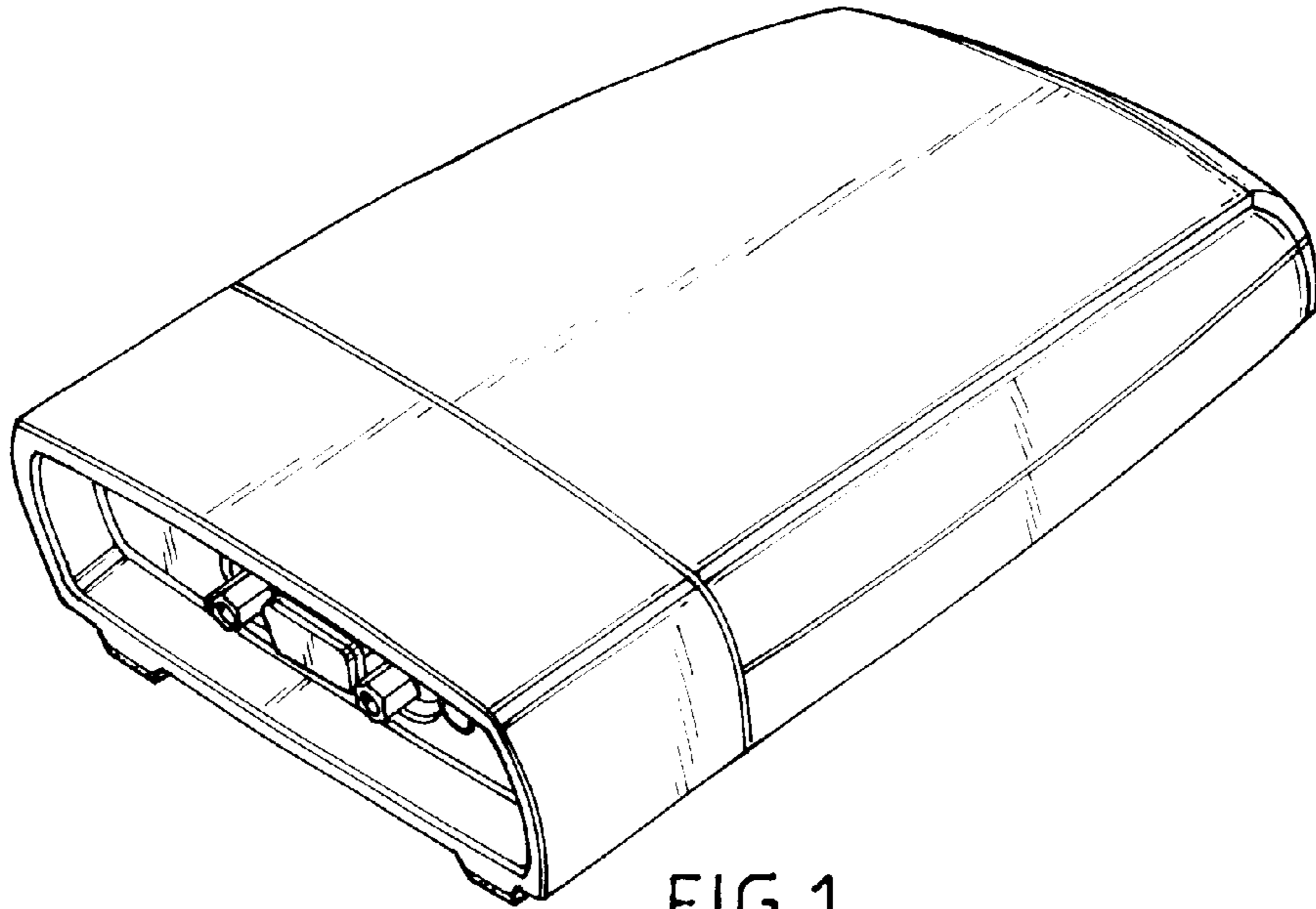


FIG. 1

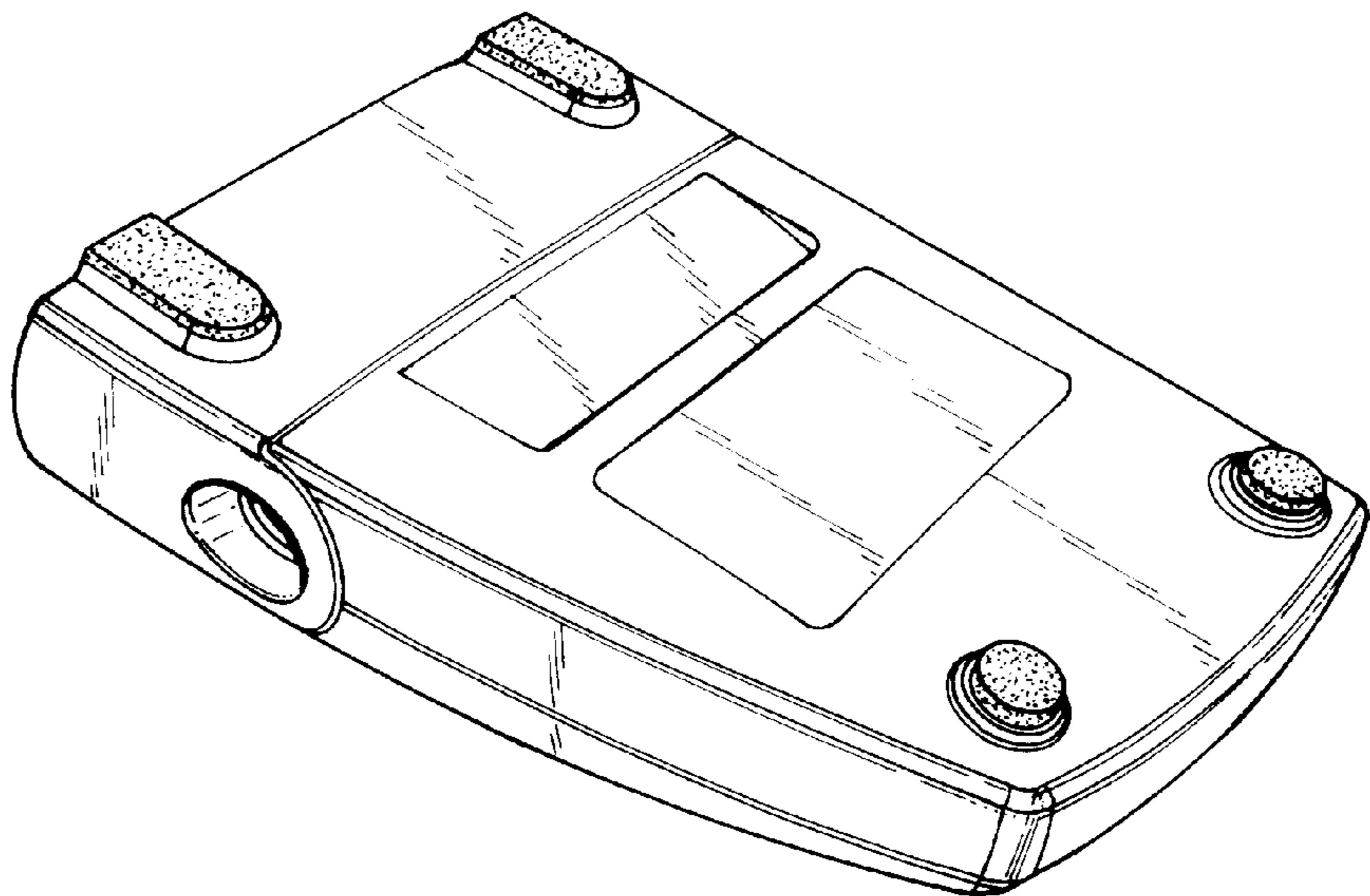


FIG. 2

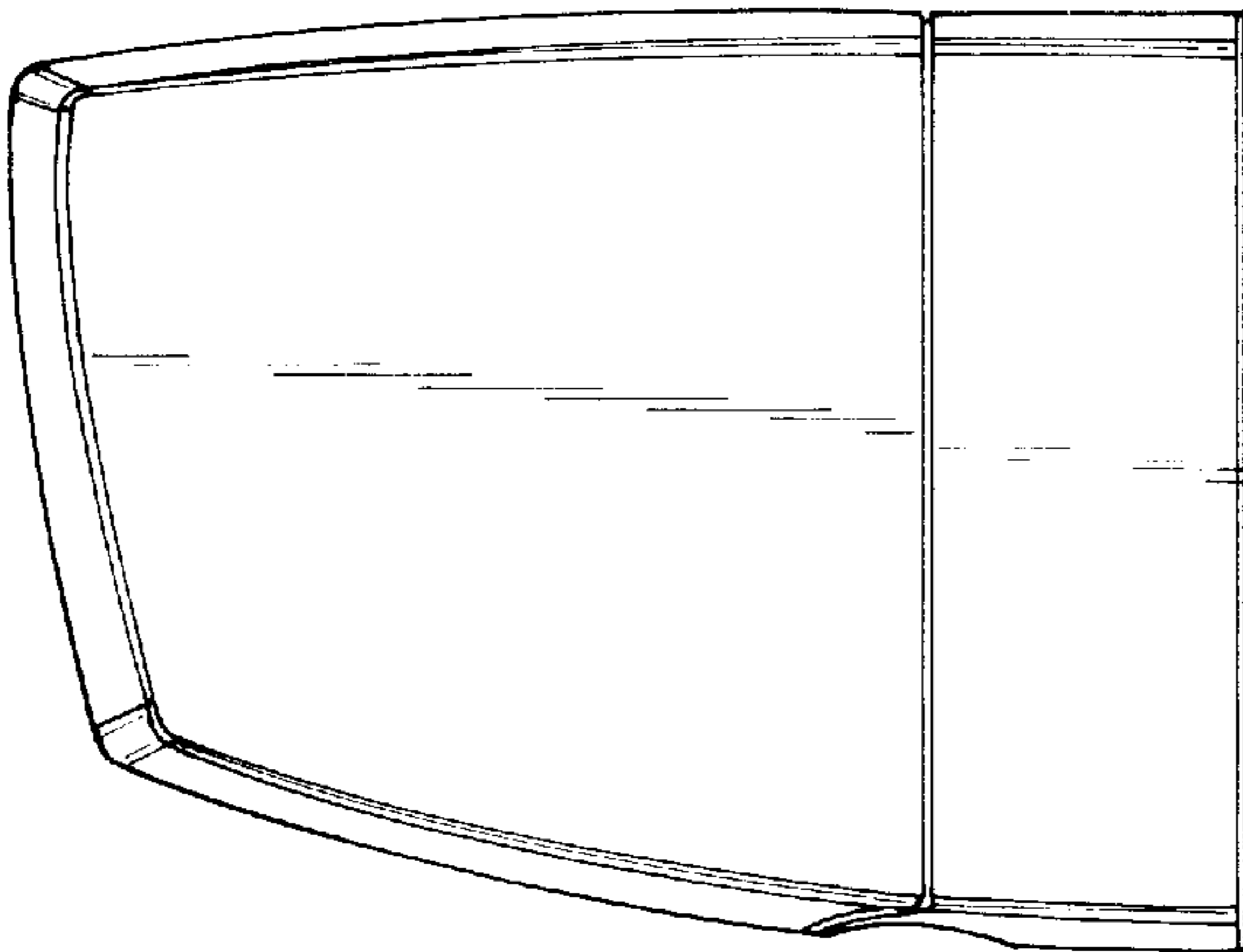


FIG. 3

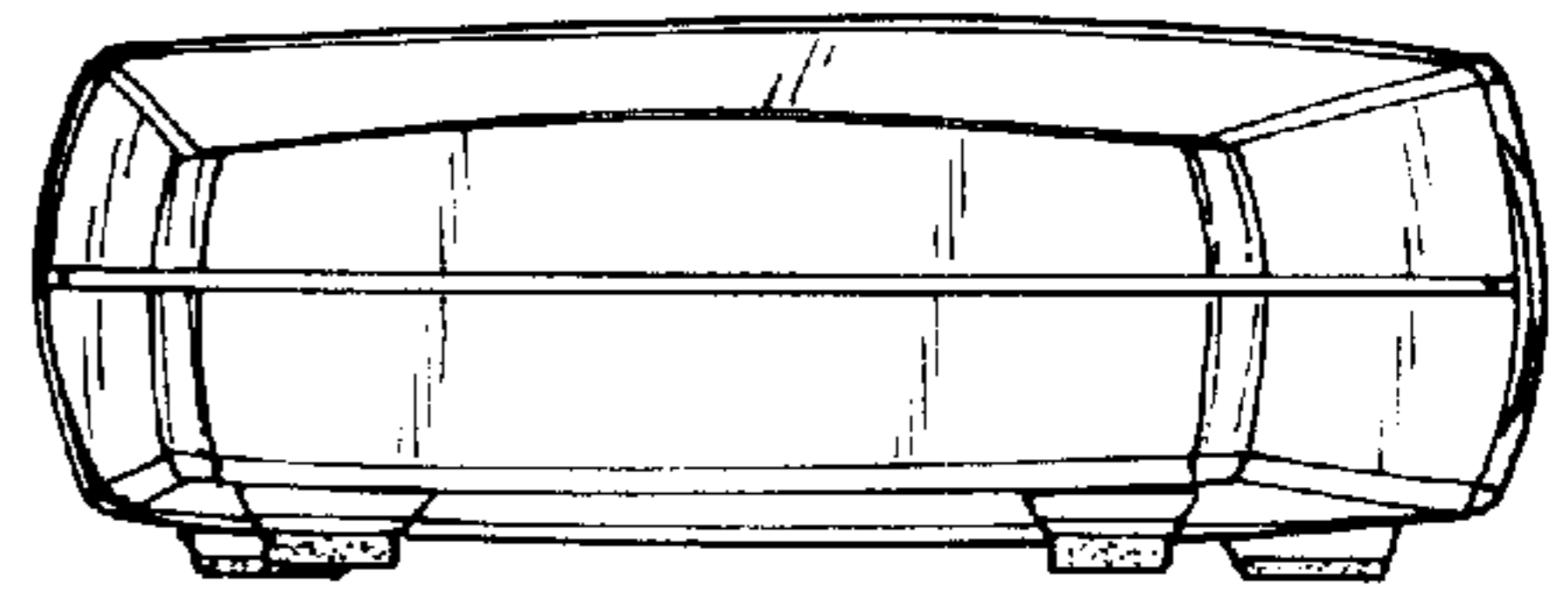


FIG. 7

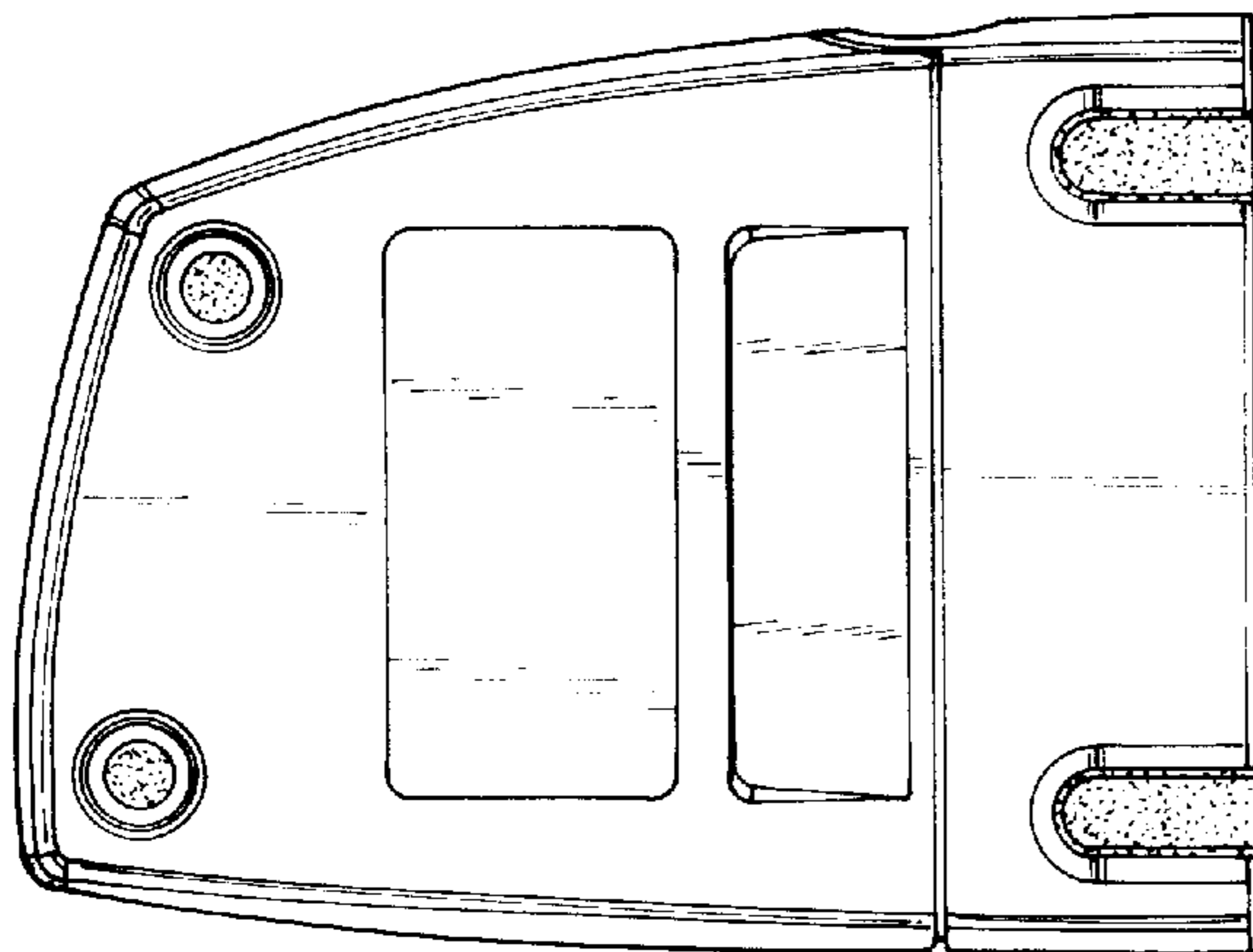


FIG. 4

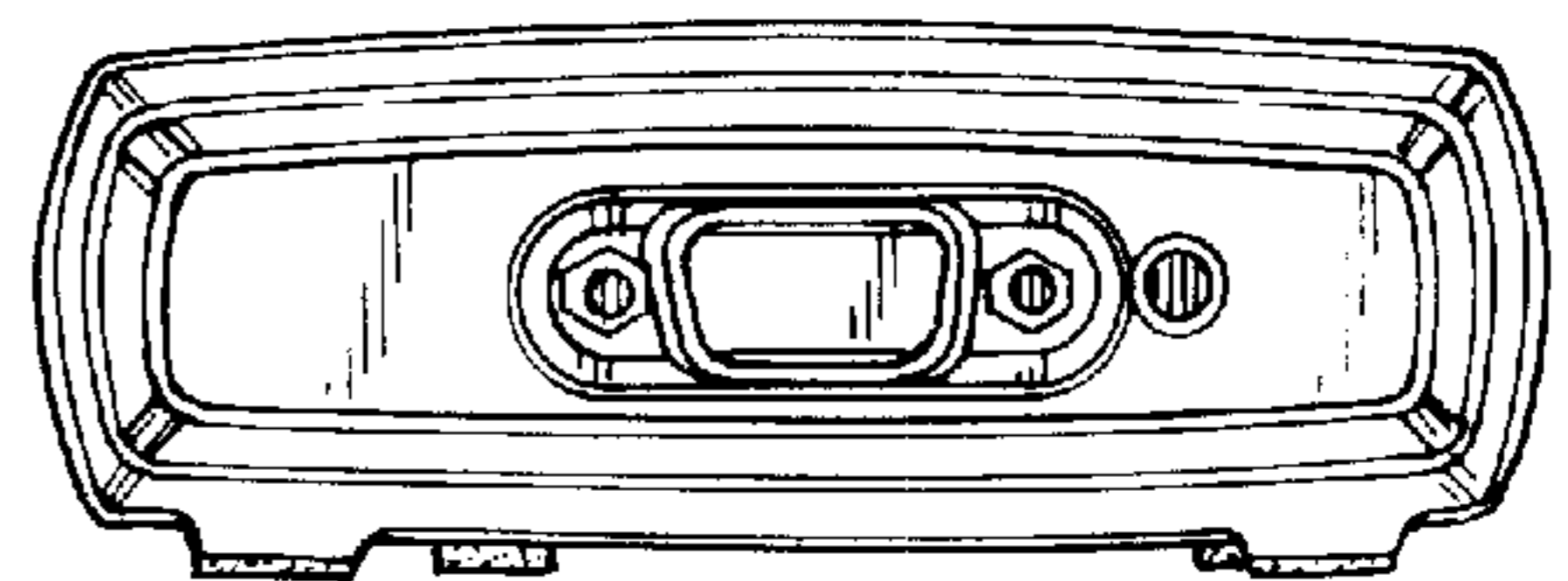


FIG. 8

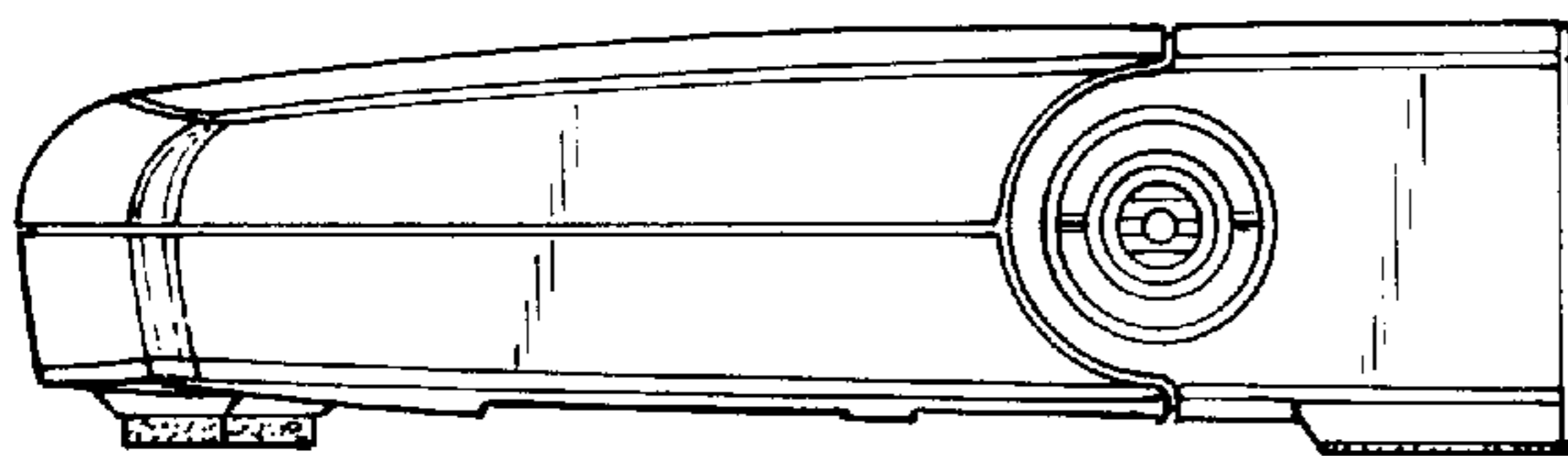


FIG. 5

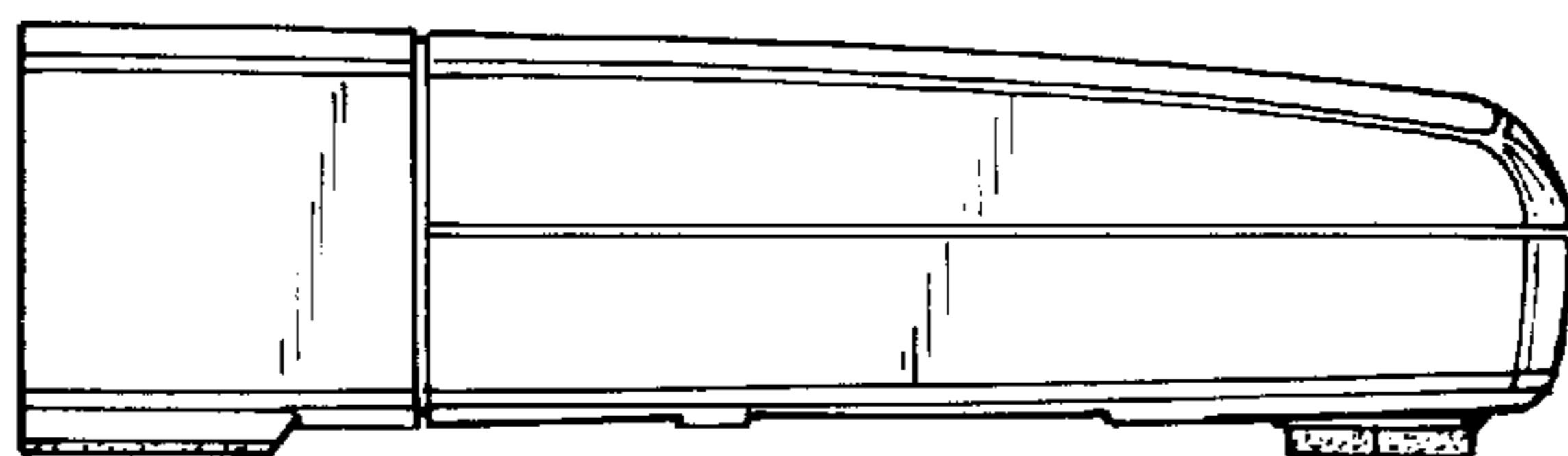


FIG. 6