



US00D462675S

(12) **United States Design Patent**
Kusz et al.

(10) **Patent No.: US D462,675 S**

(45) **Date of Patent: ** Sep. 10, 2002**

(54) **RADIATING REPEATER CASE**

(75) Inventors: **Matthew Kusz**, Minneapolis; **Charles G. Ham**, Mound, both of MN (US)

(73) Assignee: **ADC Telecommunications, Inc.**, Eden Prairie, MN (US)

(**) Term: **14 Years**

(21) Appl. No.: **29/132,247**

(22) Filed: **Nov. 6, 2000**

(51) **LOC (7) Cl. 14-03**

(52) **U.S. Cl. D14/240**

(58) **Field of Search** D14/137, 240,
D14/138, 242, 308, 356, 357, 358, 311,
313, 441, 144, 348-355, 370, 341-347,
125, 432, 433, 155, 299, 257, 439, 140,
188, 230, 241, 243, 245; 379/433.01-433.13,
419, 434, 428.01-428.04, 420.01-420.04,
440, 441, 442; 455/550-575, 90; D13/184,
123, 152, 147, 110

(56) **References Cited**

U.S. PATENT DOCUMENTS

D238,581 S	*	1/1976	Lehmann	D13/184
D278,897 S	*	5/1985	Prager et al.	D14/313
D287,360 S	*	12/1986	Lehmann	D13/184
D314,770 S	*	2/1991	Desbarats	D14/240
5,065,278 A	*	11/1991	Schultz	361/688
D325,902 S	*	5/1992	Hudson et al.	D13/184
D336,074 S	*	6/1993	Friend et al.	D13/184
D342,485 S	*	12/1993	Dean et al.	D14/311

D390,235 S	*	2/1998	Tucker et al.	D14/240
5,771,468 A	*	6/1998	Stein	455/561
D399,190 S	*	10/1998	Dale et al.	D13/184
D401,584 S	*	11/1998	Lewis	D14/214
D402,663 S	*	12/1998	Fechner	D14/240
D413,304 S	*	8/1999	Moehler	D13/147
D414,774 S	*	10/1999	Gauffin	D14/240
D416,873 S	*	11/1999	Korsunsky et al.	D13/184
D418,515 S	*	1/2000	Tucker et al.	D14/240
6,023,602 A	*	2/2000	Kitajima et al.	455/11.1 X
6,028,769 A	*	2/2000	Zurek	361/704
D422,999 S	*	4/2000	Overton et al.	D14/137
6,104,921 A	*	8/2000	Cosley et al.	455/349
6,292,556 B1	*	9/2001	Laetsch	379/338

* cited by examiner

Primary Examiner—Jeffrey Asch

(74) *Attorney, Agent, or Firm*—Fogg Slifer Polglaze Leffert & Jay, PA

(57) **CLAIM**

The ornamental design for a radiating repeater case, as shown and described.

DESCRIPTION

FIG. 1 is a front perspective view of a repeater case incorporating a design according to the invention. FIG. 2 is a front view of the repeater case of FIG. 1. FIG. 3 is a right side view of the repeater case of FIG. 1. FIG. 4 is a left side view of the repeater case of FIG. 1. FIG. 5 is a back view of the repeater case of FIG. 1. FIG. 6 is a top view of the repeater case of FIG. 1; and, FIG. 7 is a bottom view of the repeater case of FIG. 1.

1 Claim, 7 Drawing Sheets

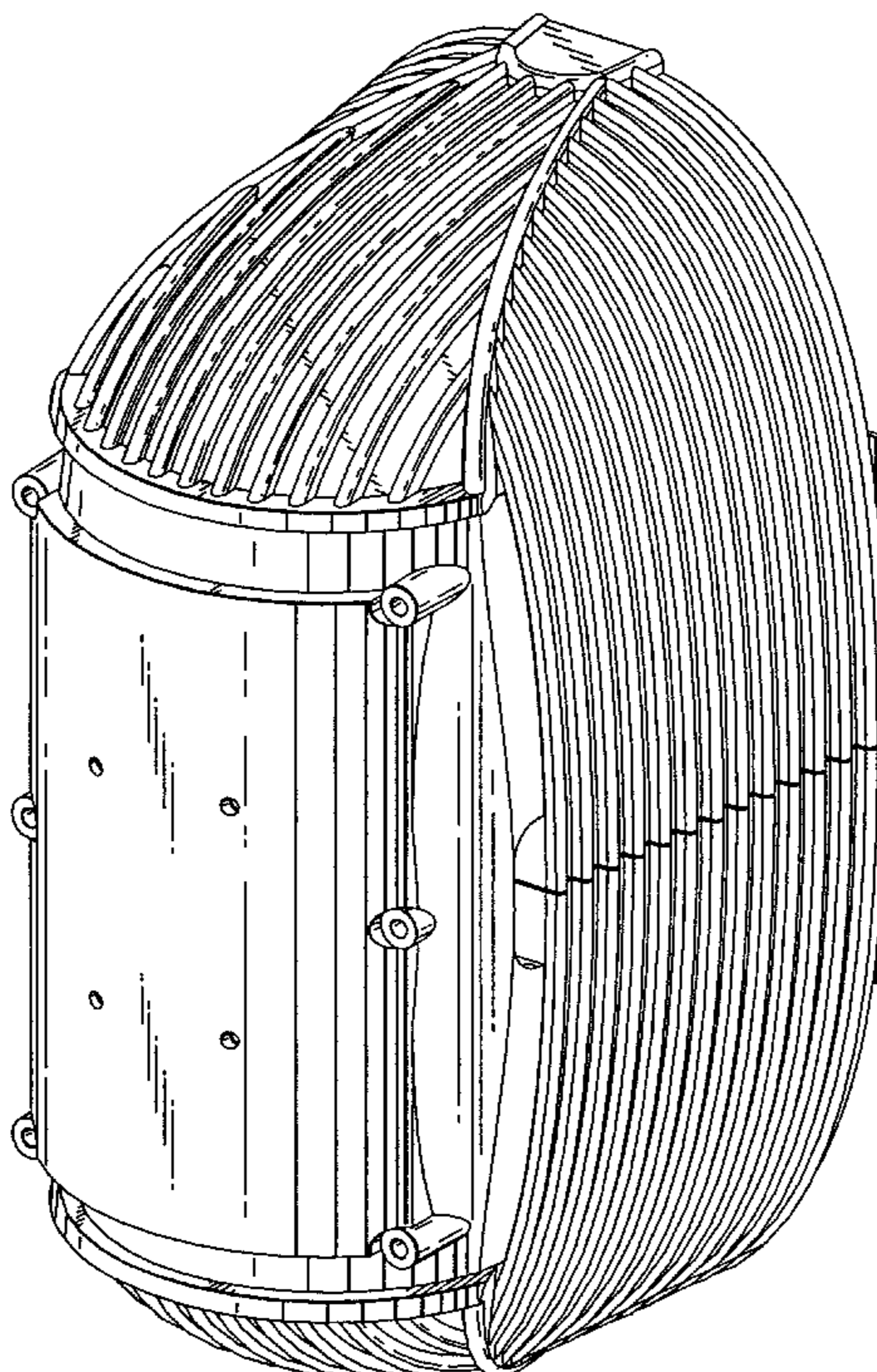


Fig. 1

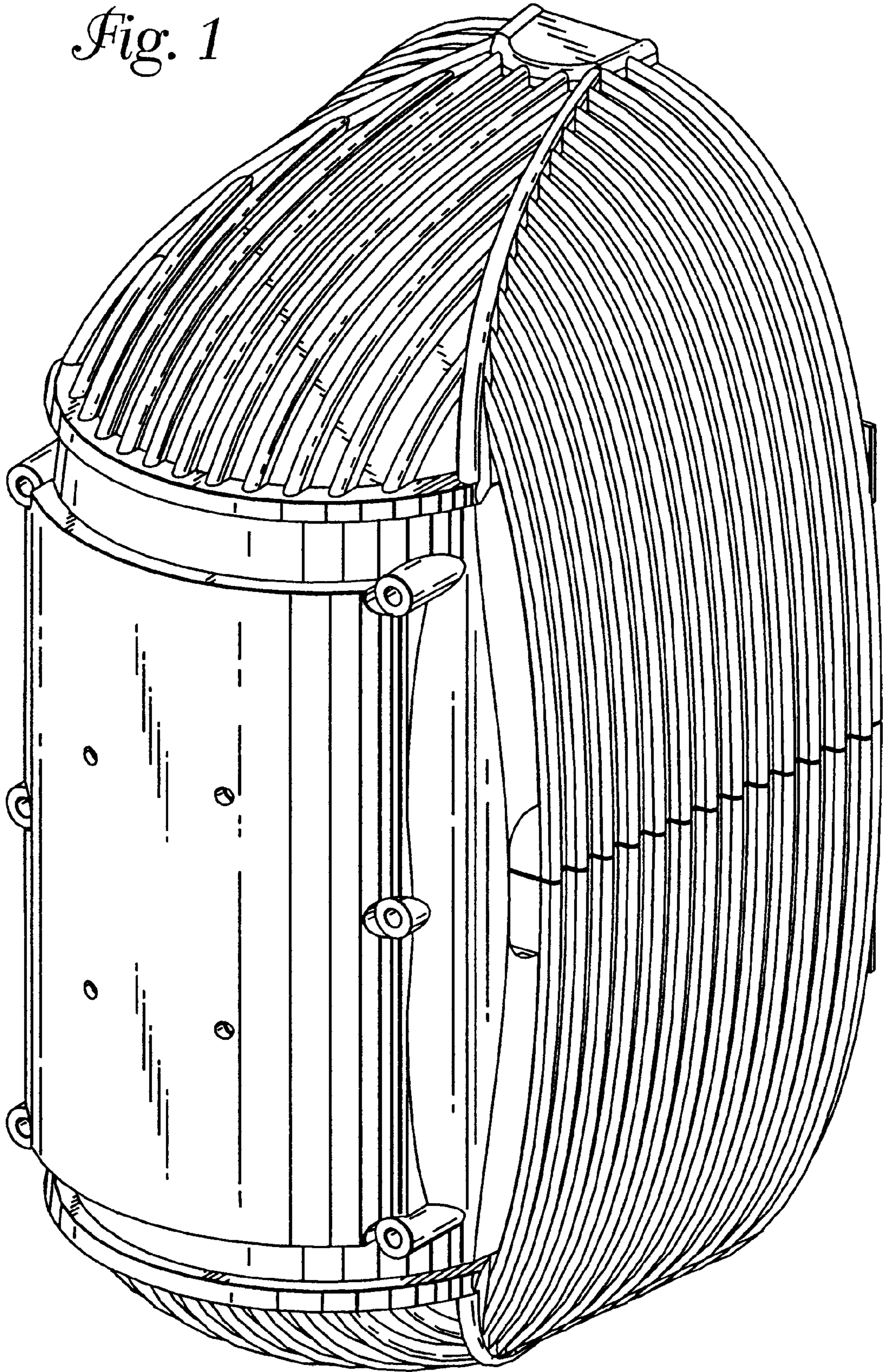


Fig. 2

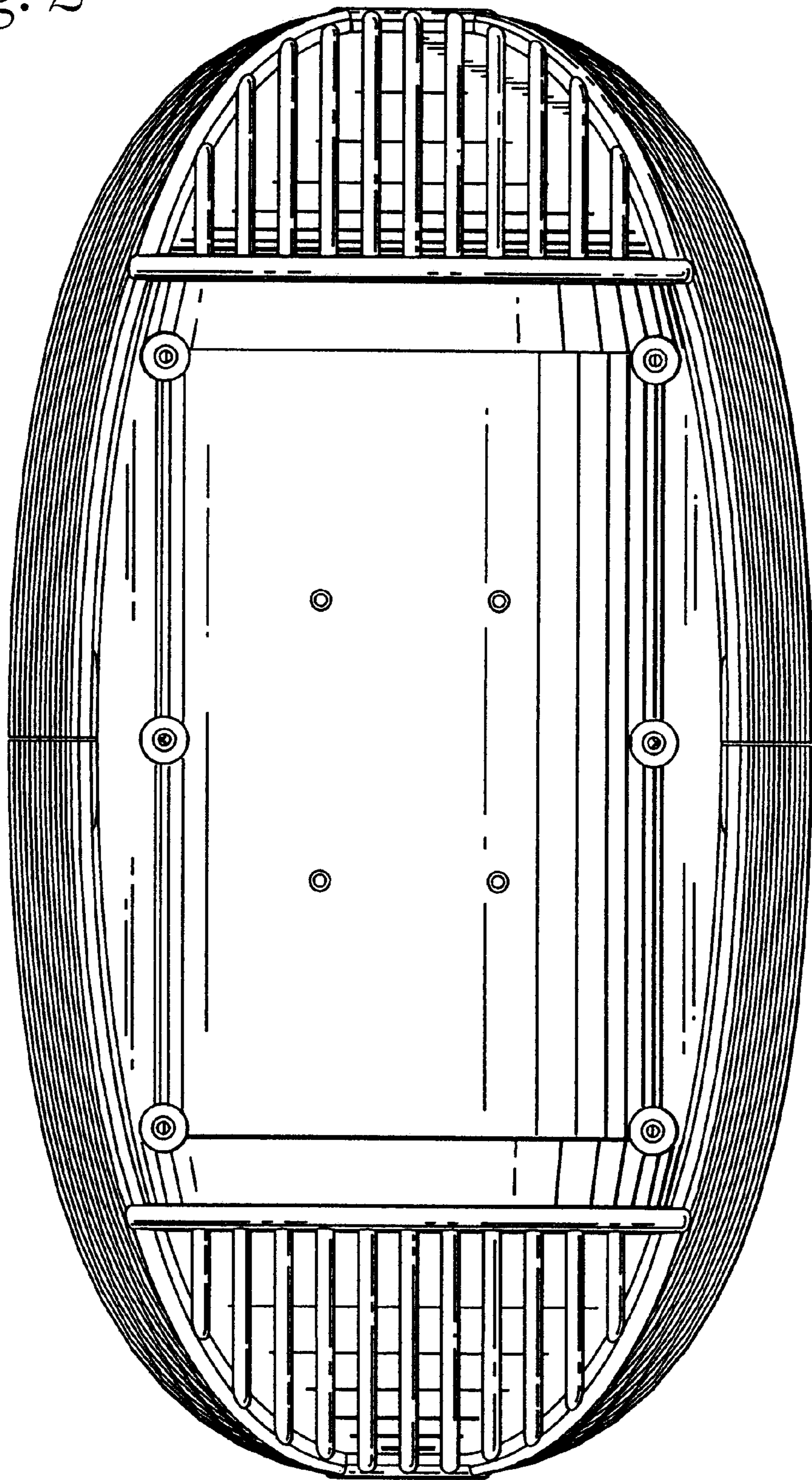


Fig. 3

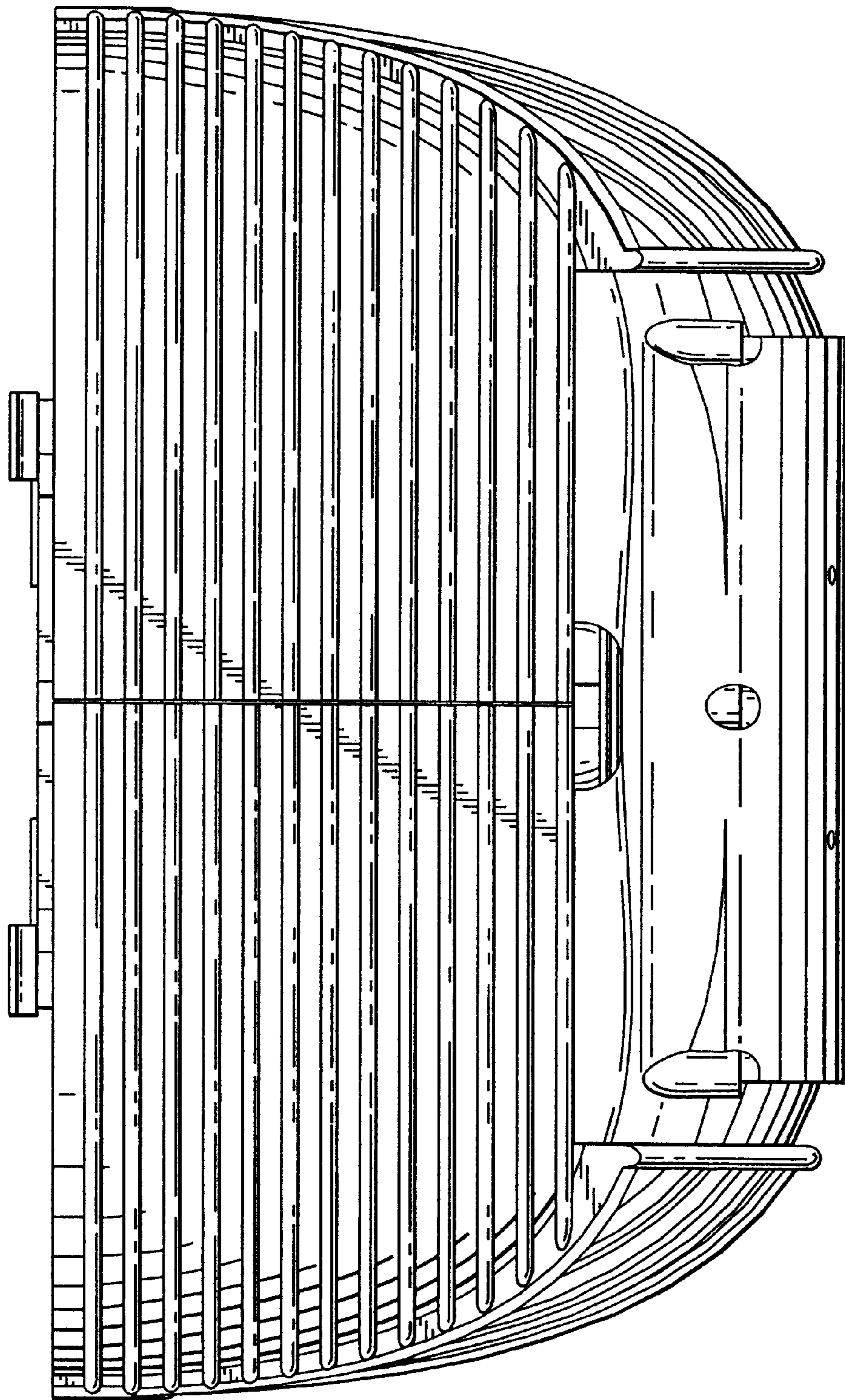


Fig. 4

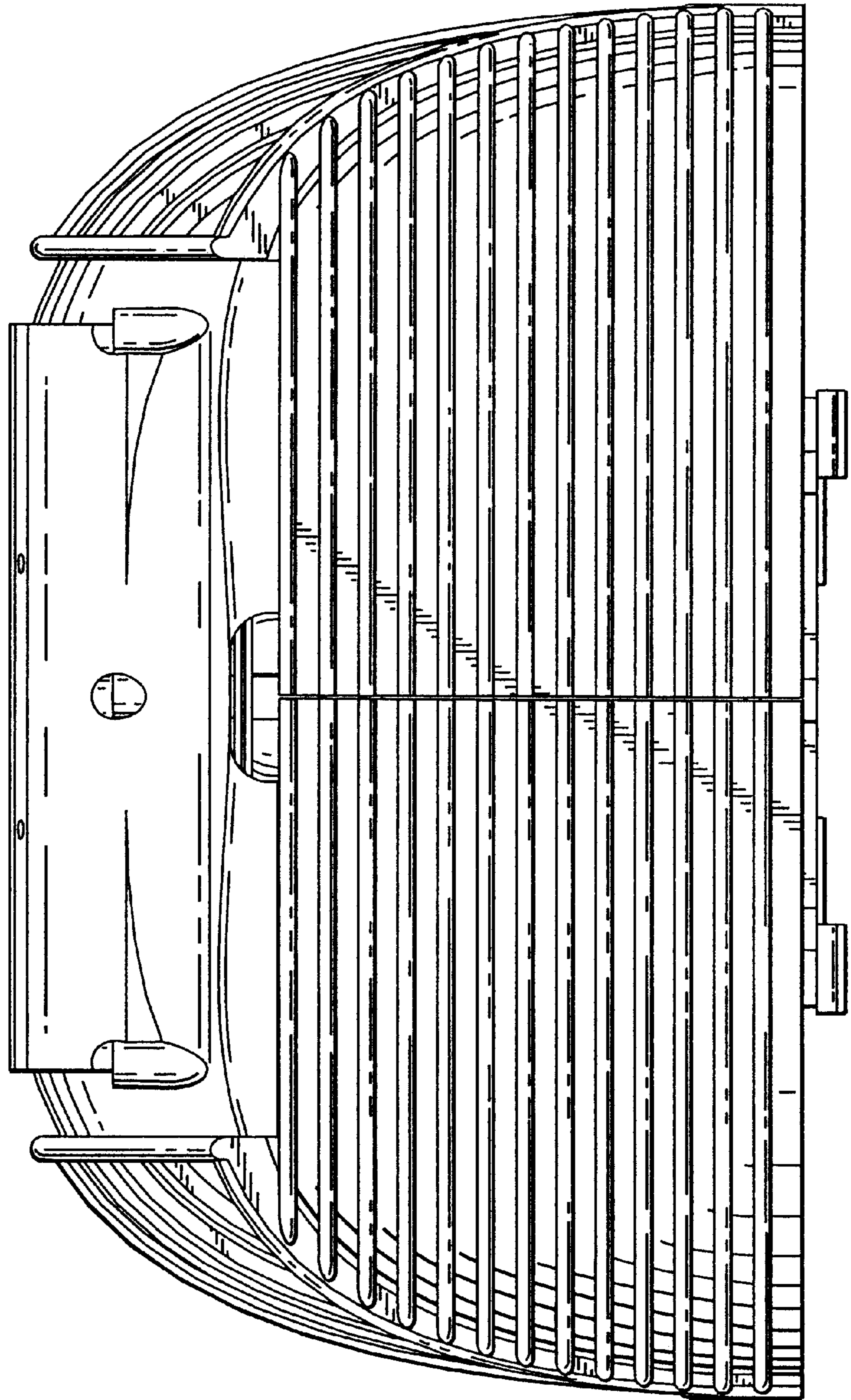


Fig. 5

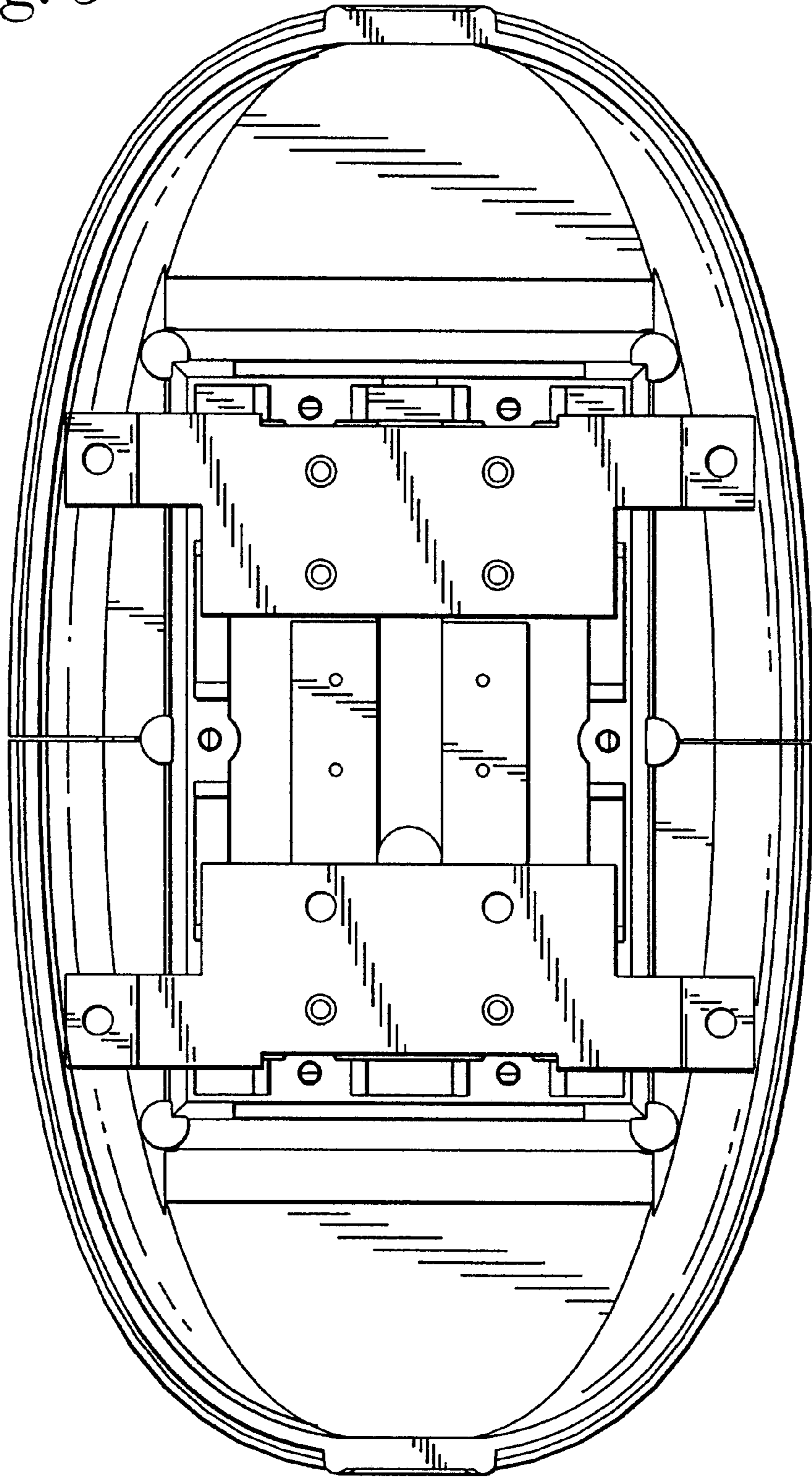


Fig. 6

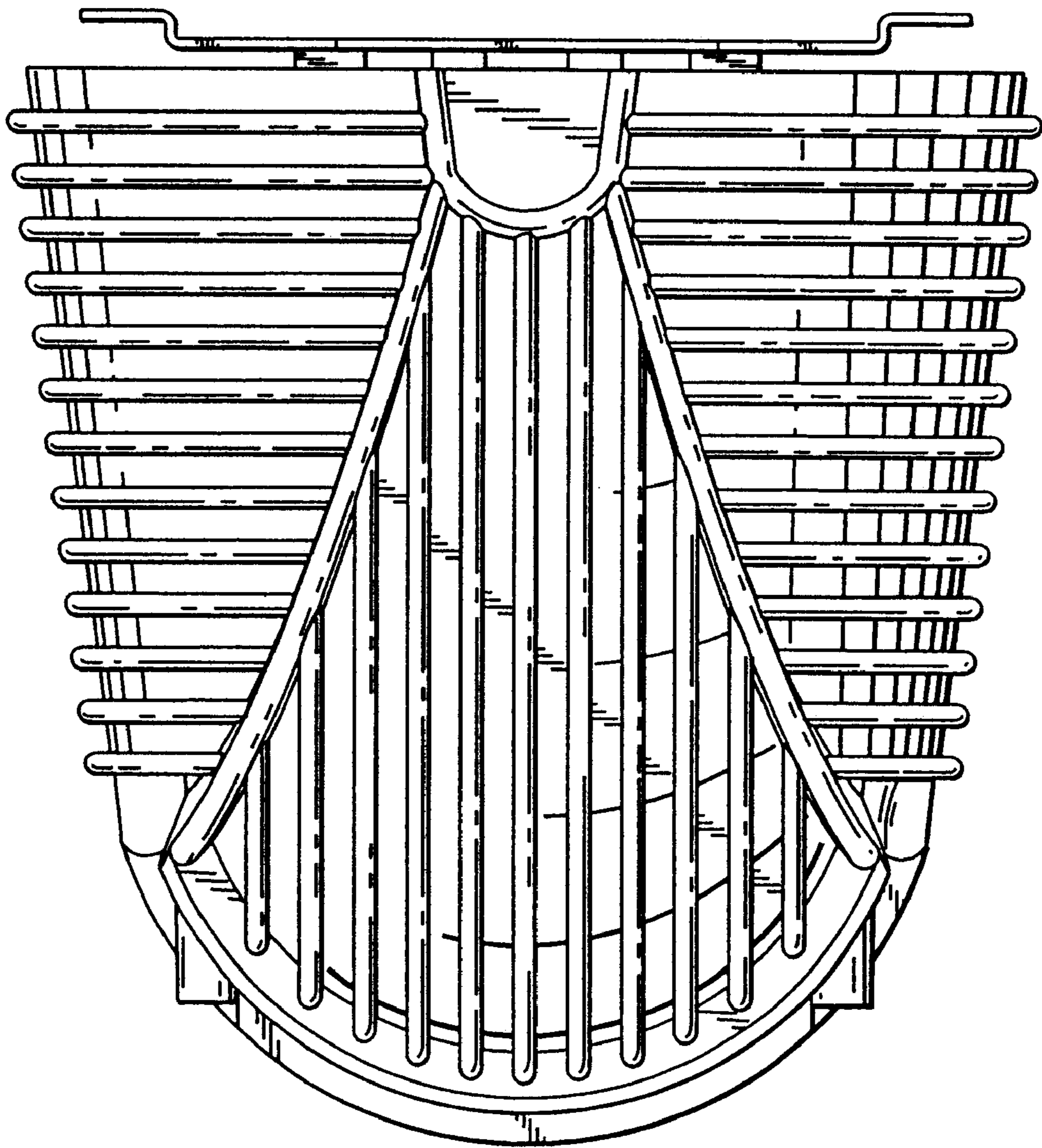


Fig. 7

