

US00D462673S

(12) **United States Design Patent**
Hisatsune

(10) **Patent No.:** **US D462,673 S**

(45) **Date of Patent:** **** Sep. 10, 2002**

(54) **DISC PLAYER**

D440,555 S * 4/2001 Dietz et al. D14/214

(75) Inventor: **Toshiyuki Hisatsune**, Tokyo (JP)

* cited by examiner

(73) Assignee: **Sony Corporation**, Tokyo (JP)

Primary Examiner—Nanda Bondade

(**) Term: **14 Years**

(74) *Attorney, Agent, or Firm*—Rader, Fishman & Grauer, PLLC

(21) Appl. No.: **29/144,089**

(57) **CLAIM**

(22) Filed: **Jun. 27, 2001**

The ornamental design for a disc player, as shown and described.

(51) **LOC (7) Cl.** **14-01**

DESCRIPTION

(52) **U.S. Cl.** **D14/156**

(58) **Field of Search** D14/135-136,
D14/156-157, 160, 167-168, 188, 204,
207, 211, 214; 369/75.1, 75.2, 77.1, 77.2

FIG. 1 is a perspective view of a disc player showing our new design;

FIG. 2 is a front elevational view thereof;

FIG. 3 is a rear elevational view thereof;

FIG. 4 is a left side elevational view thereof;

FIG. 5 is a right side elevational view thereof;

FIG. 6 is a top plan view thereof; and,

FIG. 7 is a bottom plan view thereof.

(56) **References Cited**

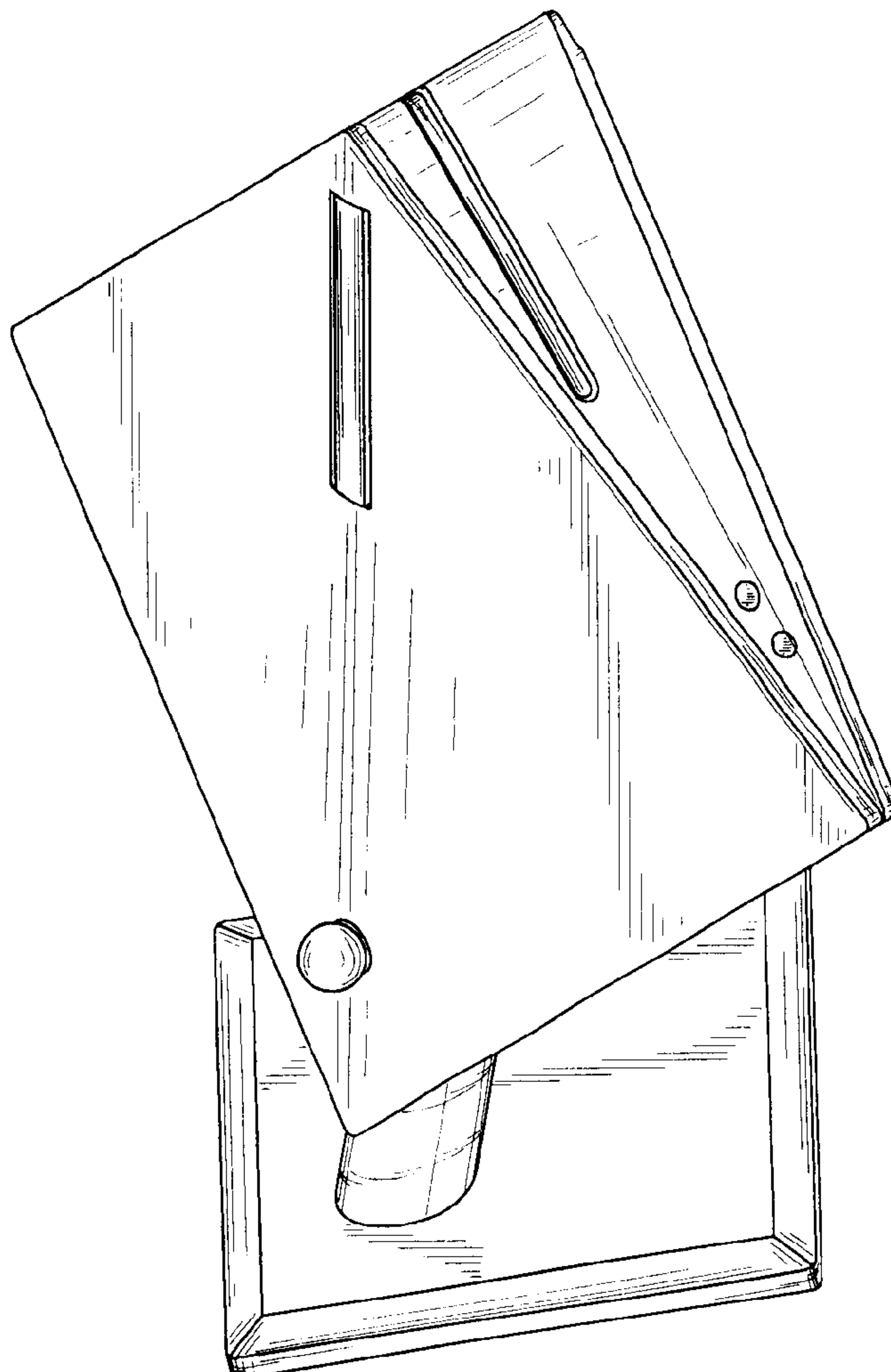
U.S. PATENT DOCUMENTS

D260,390 S * 8/1981 Bertagni D14/211

D435,534 S * 12/2000 Horikoshi D14/156

D438,530 S * 3/2001 Sawhney et al. D14/211

1 Claim, 4 Drawing Sheets



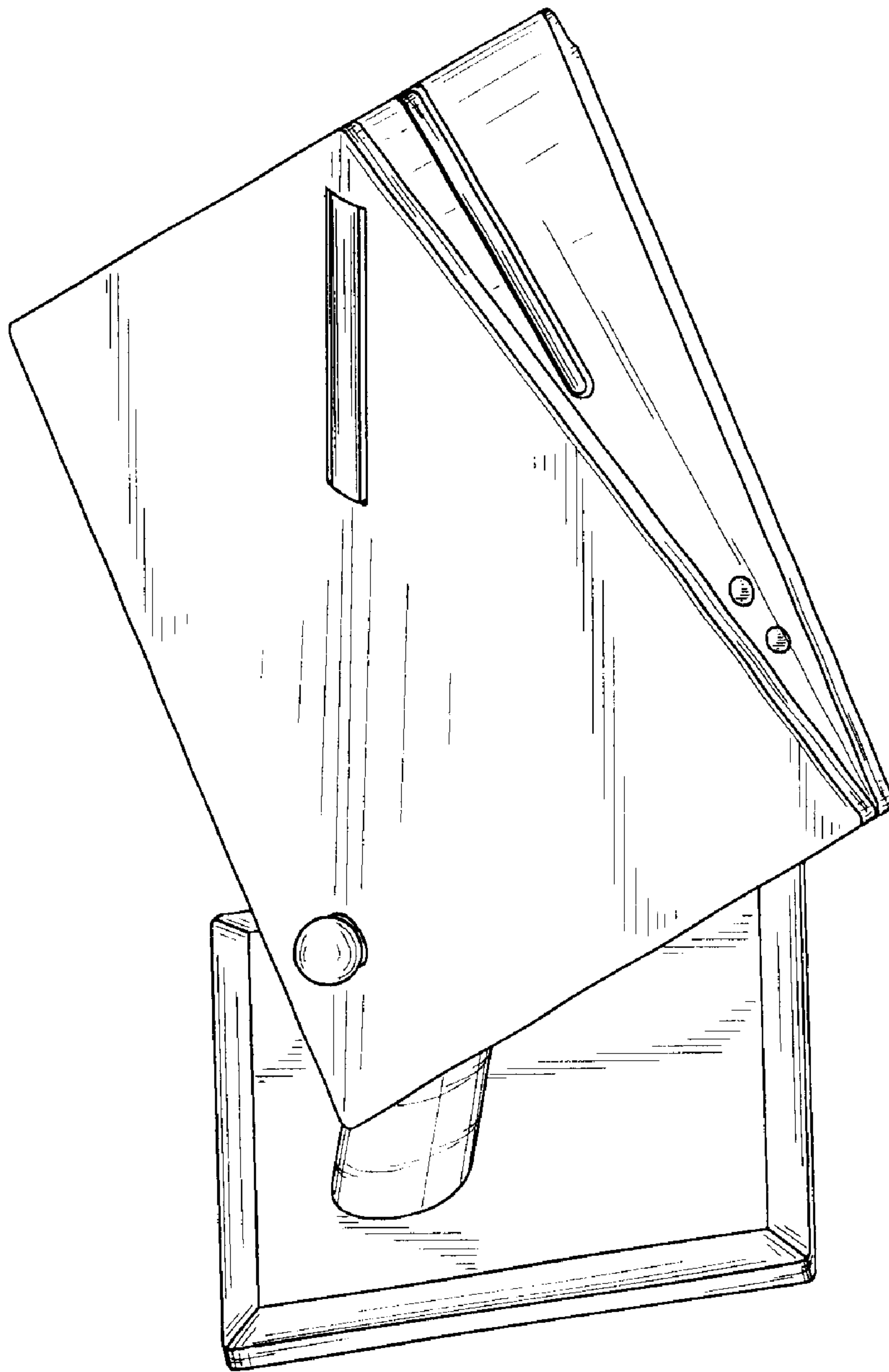


Fig. 1

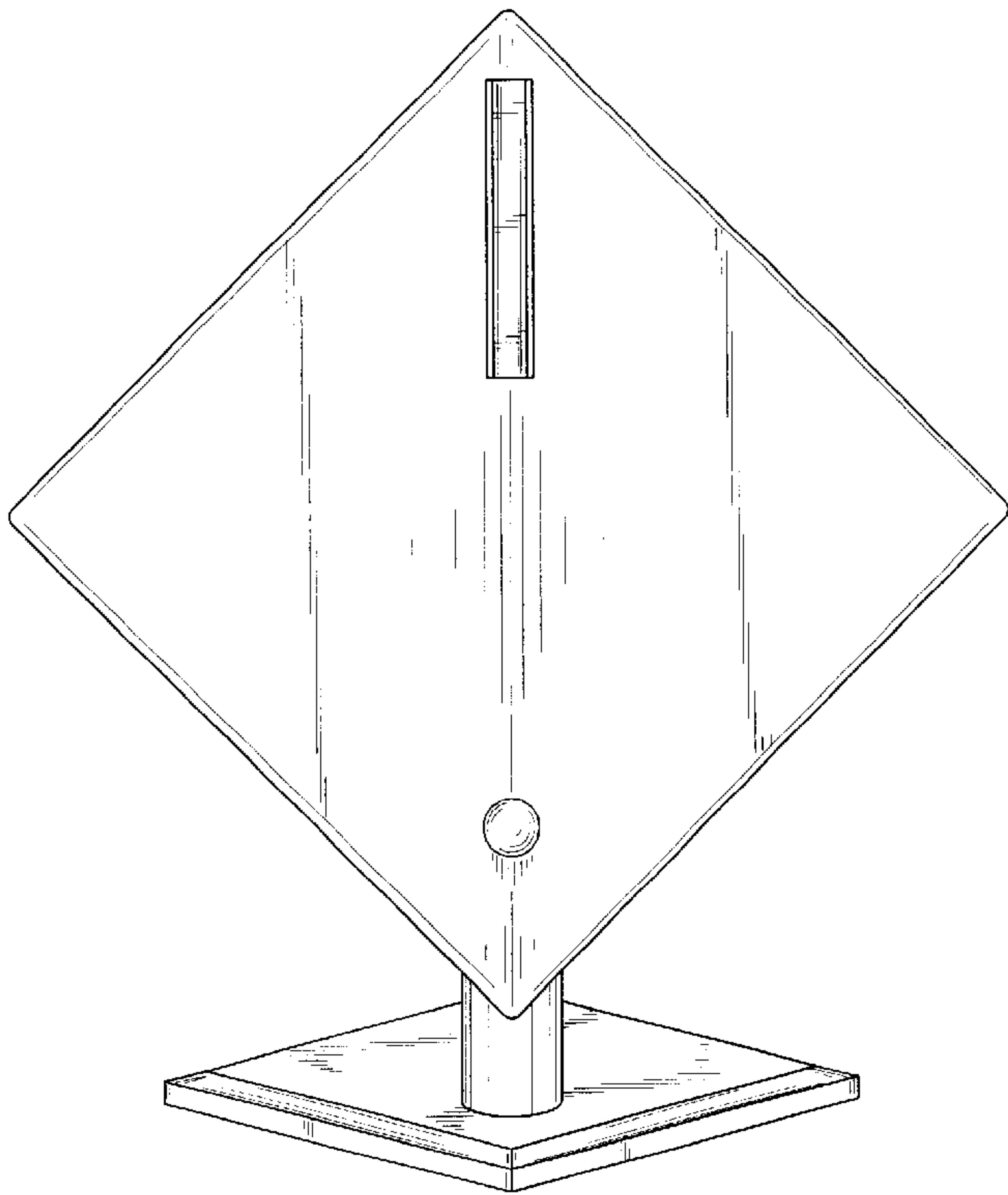


Fig. 2

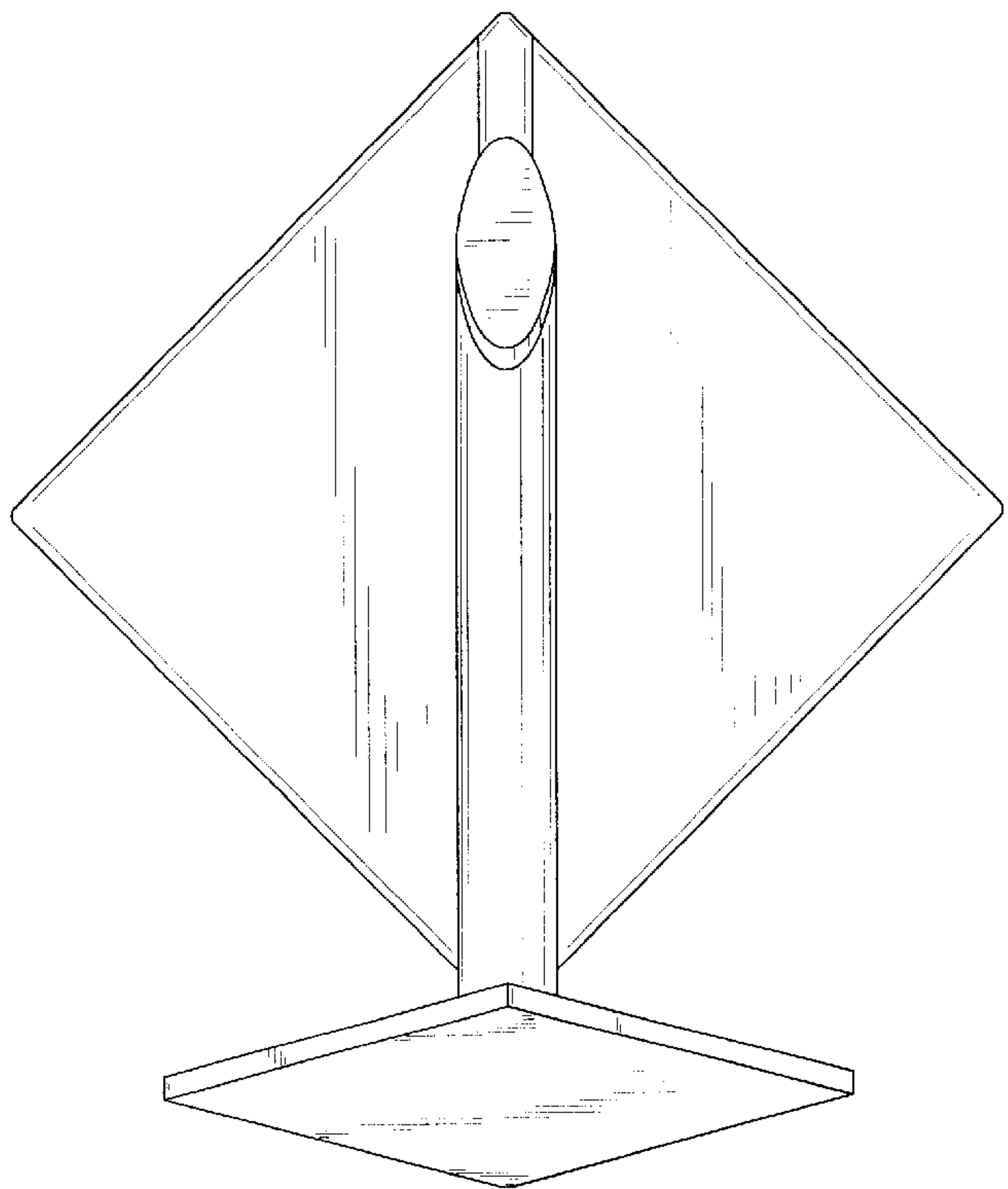


Fig. 3

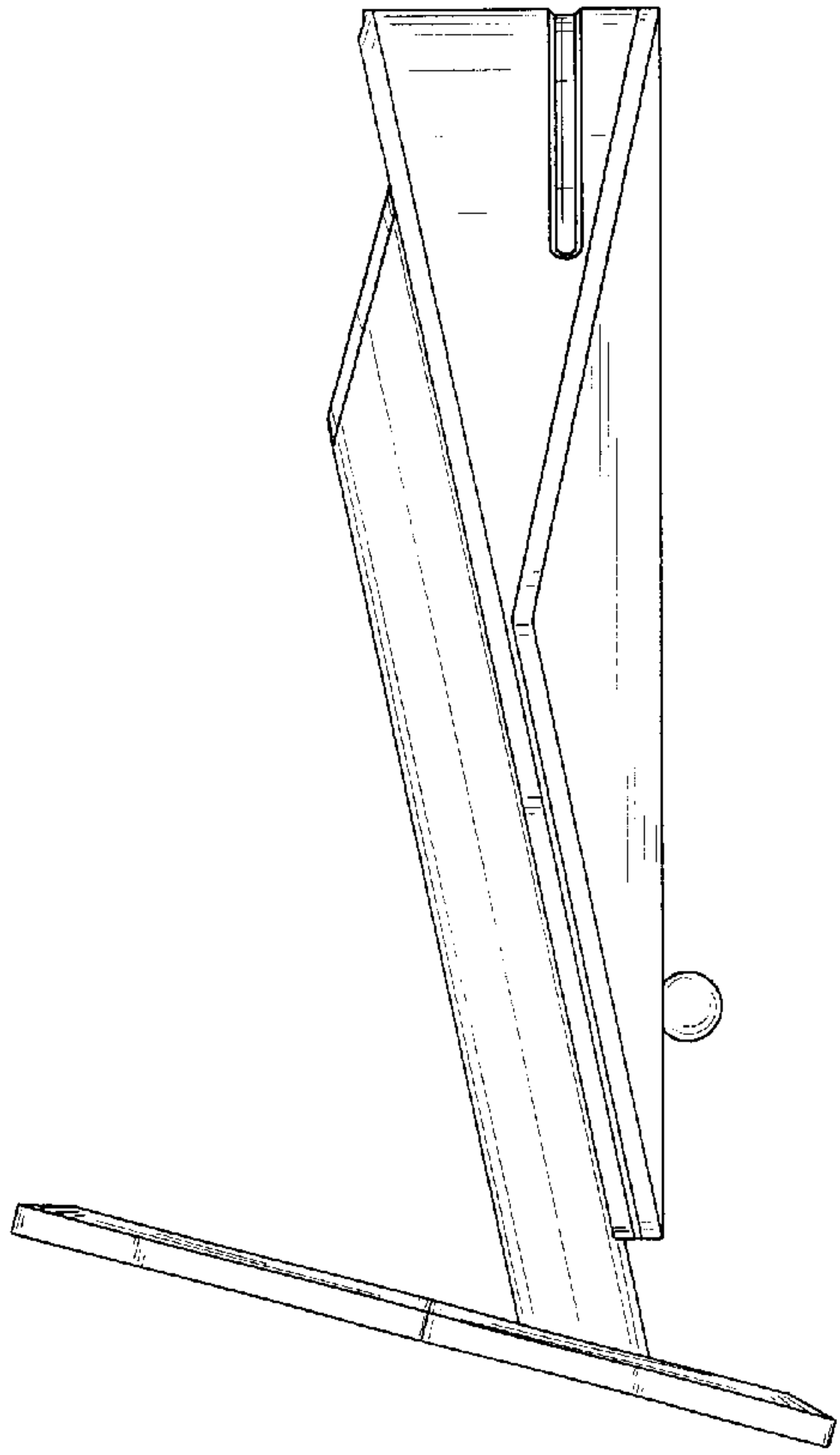


Fig. 4

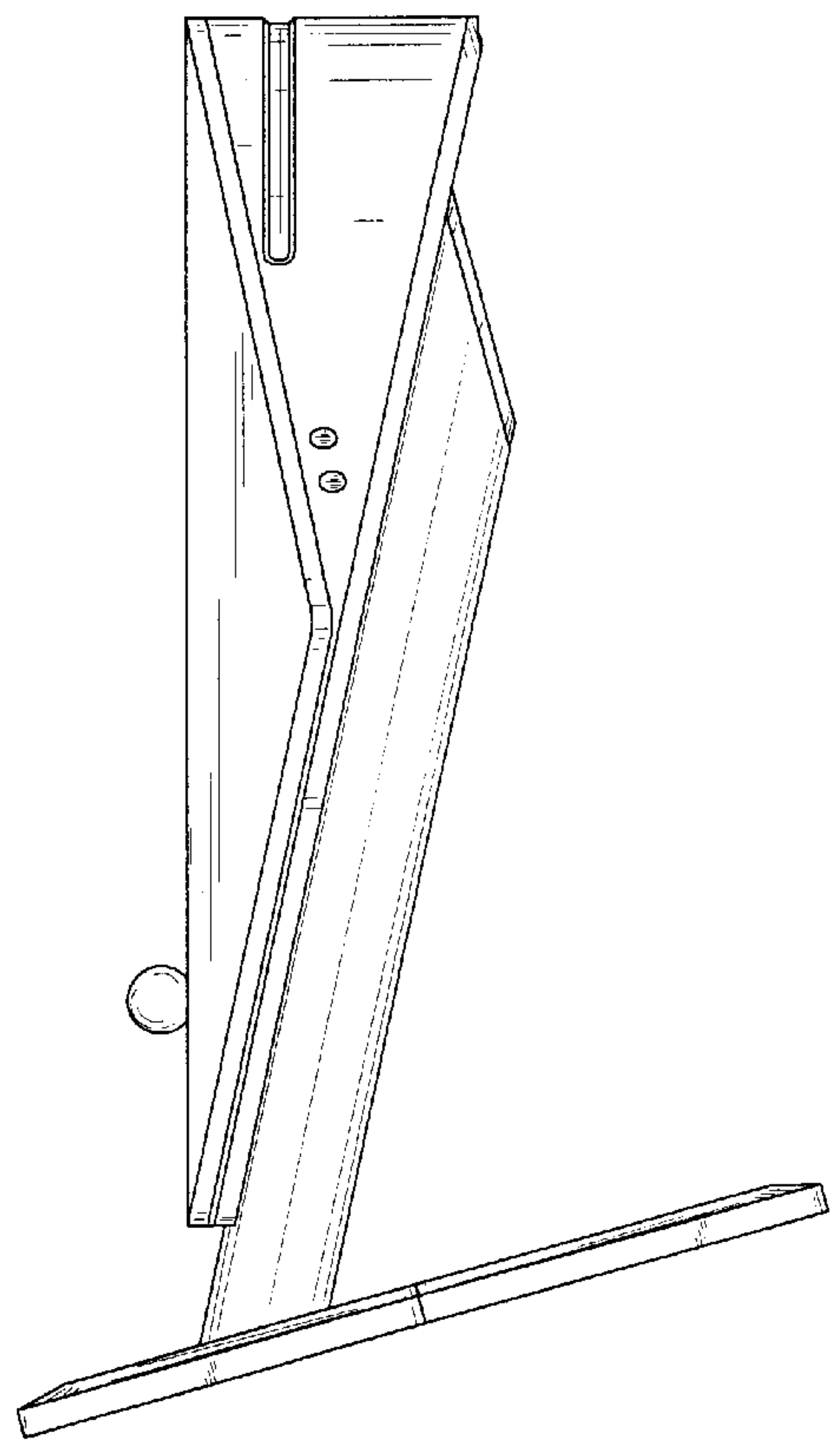


Fig. 5

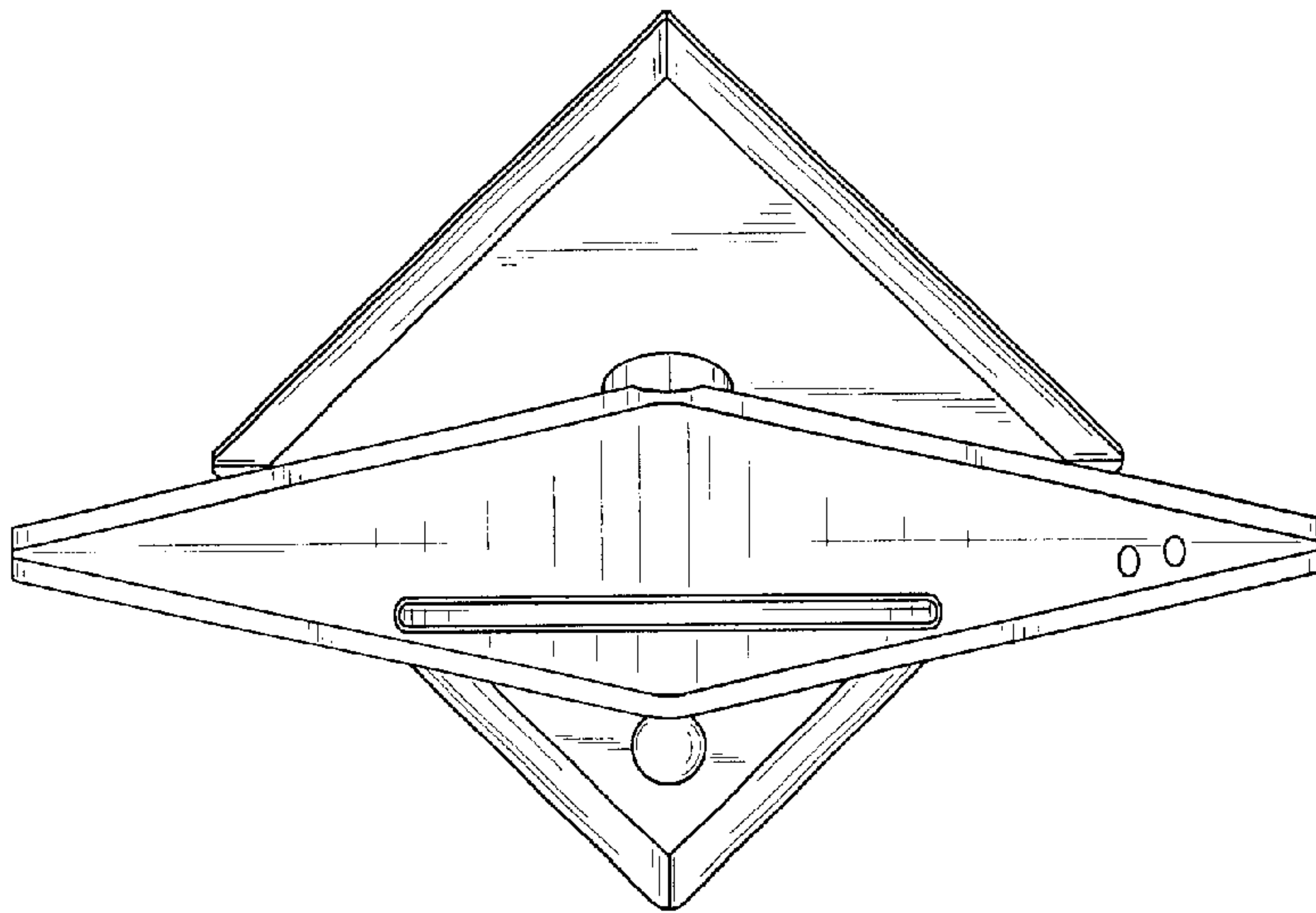


Fig. 6

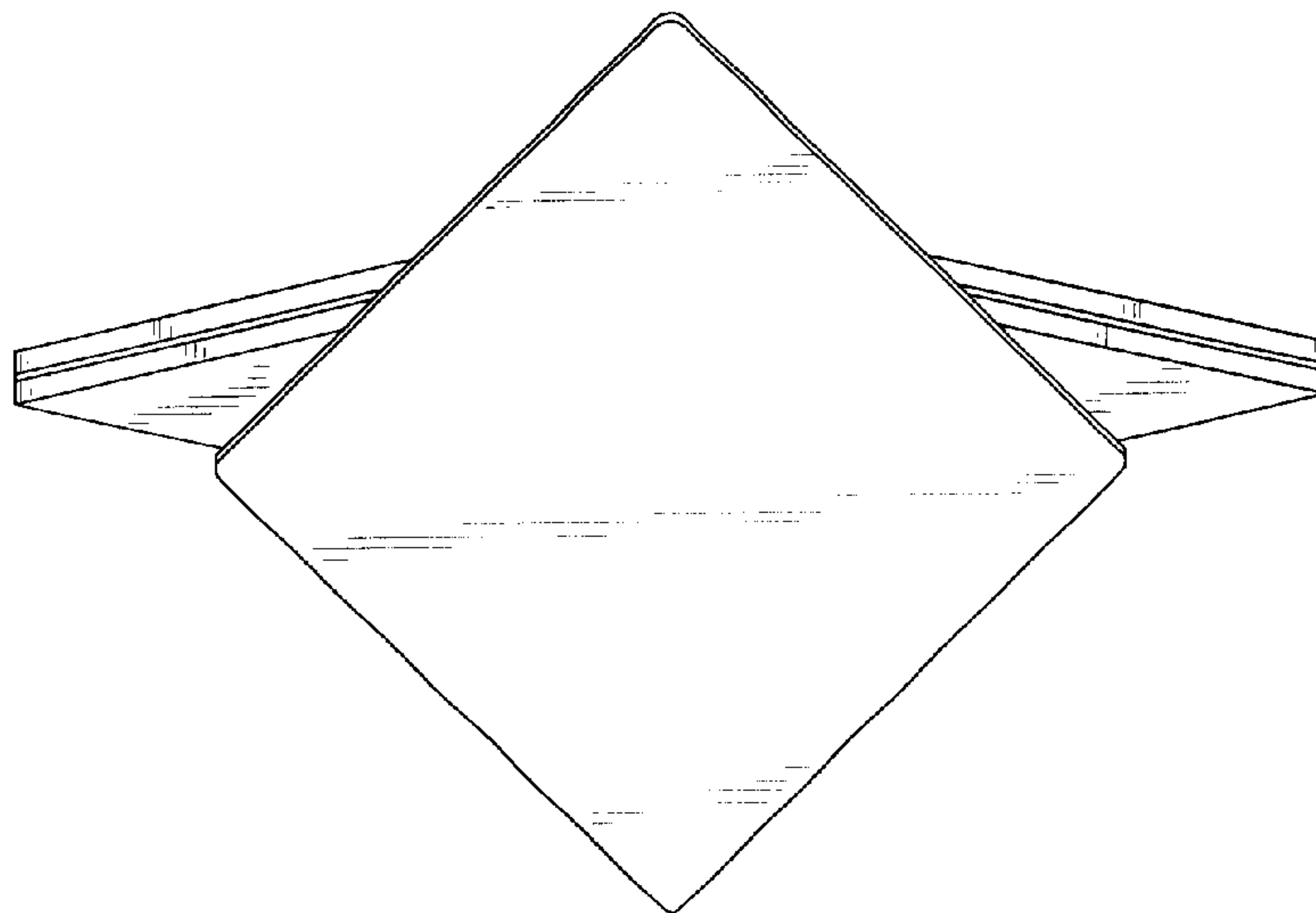


Fig. 7