



US00D462670S

(12) **United States Design Patent**
Kasuga et al.

(10) **Patent No.:** **US D462,670 S**

(45) **Date of Patent:** **** Sep. 10, 2002**

(54) **AUTOMOTIVE MONITOR COMBINED WITH DIGITAL VIDEO DISC PLAYER**

D455,130 S * 4/2002 Skaff D14/126

OTHER PUBLICATIONS

(75) Inventors: **Kei Kasuga**, Tokyo (JP); **Shimon Okada**, Tokyo (JP); **Shinichi Kato**, Tokyo (JP)

Mark Halvorsen, "Moving Pictures", Mobile Entertainment Feb./Mar. 2001. pp. 41-47.

* cited by examiner

(73) Assignee: **Mitsubishi Denki Kabushiki Kaisha**, Tokyo (JP)

Primary Examiner—Raphael Barkai

(74) *Attorney, Agent, or Firm*—Oblon, Spivak, McClelland, Maier & Neustadt, P.C.

(**) Term: **14 Years**

(21) Appl. No.: **29/146,493**

(57) **CLAIM**

(22) Filed: **Aug. 13, 2001**

The ornamental design for an automotive monitor combined with digital video disc player, as shown.

(30) **Foreign Application Priority Data**

DESCRIPTION

Mar. 29, 2001 (JP) 2001-008980

(51) **LOC (7) Cl.** **14-03**

(52) **U.S. Cl.** **D14/132**

(58) **Field of Search** D14/125-136, D14/239, 371, 374, 315, 327, 418, 345, 415; D6/432, 436, 445, 448; 296/37.1, 37.8, 37.7, 70; 224/311, 539; 348/180, 184, 325, 739, 825

FIG. 1 is a front, bottom and right side perspective view of an automotive monitor combined with digital video disc player, showing our new design;

FIG. 2 is a front elevational view thereof;

FIG. 3 is a rear elevational view thereof;

FIG. 4 is a top plan view thereof;

FIG. 5 is a bottom plan view thereof;

FIG. 6 is a right side elevational view thereof;

FIG. 7 is a left side elevational view thereof;

FIG. 8 is an enlarged cross-sectional view thereof, taken along line 8-8 of FIG. 2, with the internal system omitted; and,

FIG. 9 is a front, bottom and right side perspective view with the lid opened thereof.

(56) **References Cited**

U.S. PATENT DOCUMENTS

- D399,200 S 10/1998 Rosen
- 6,059,255 A * 5/2000 Rosen D14/132
- D451,895 S * 12/2001 Lavelle D14/132
- D453,325 S * 2/2002 Okada D14/132

1 Claim, 3 Drawing Sheets

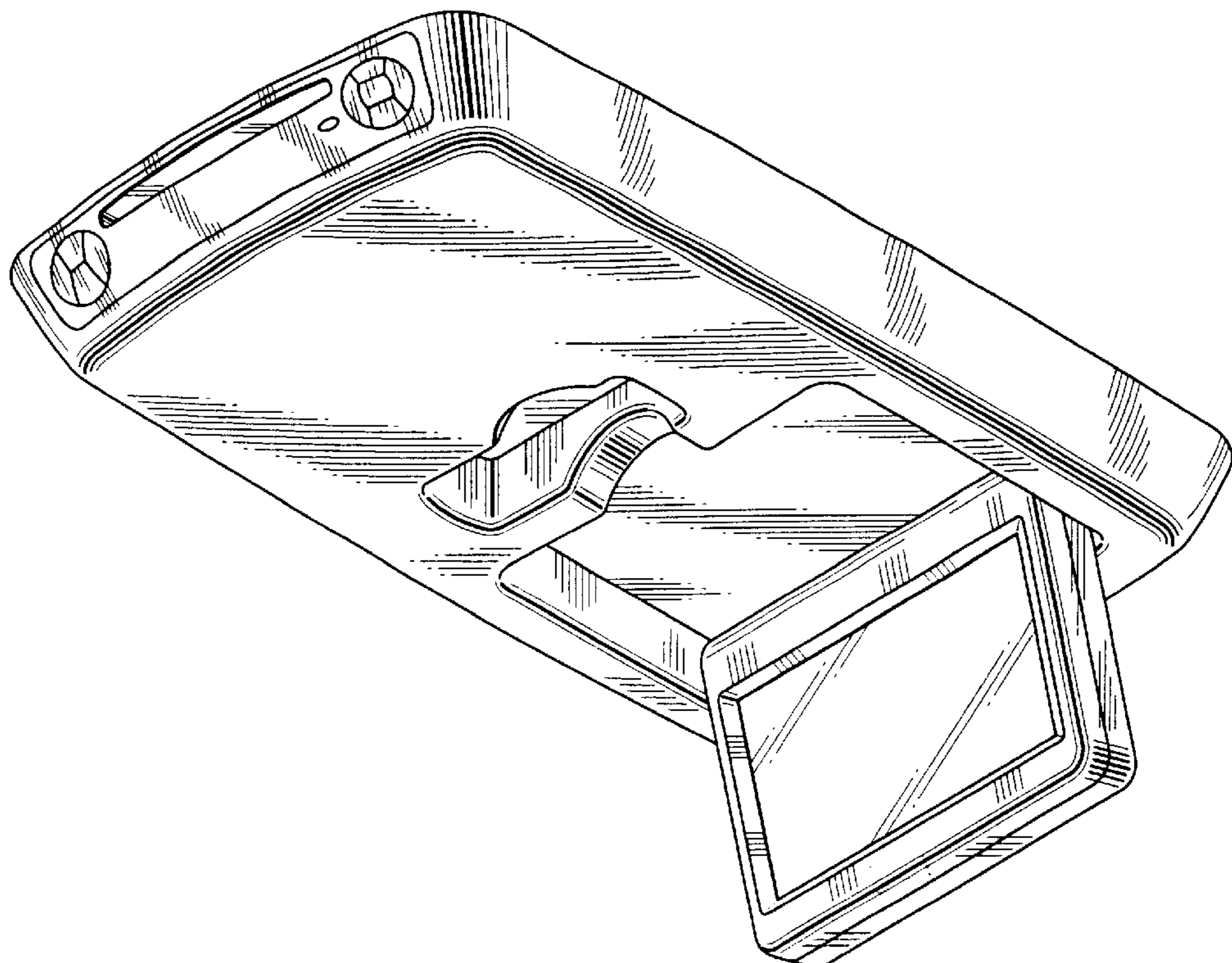


FIG. 1

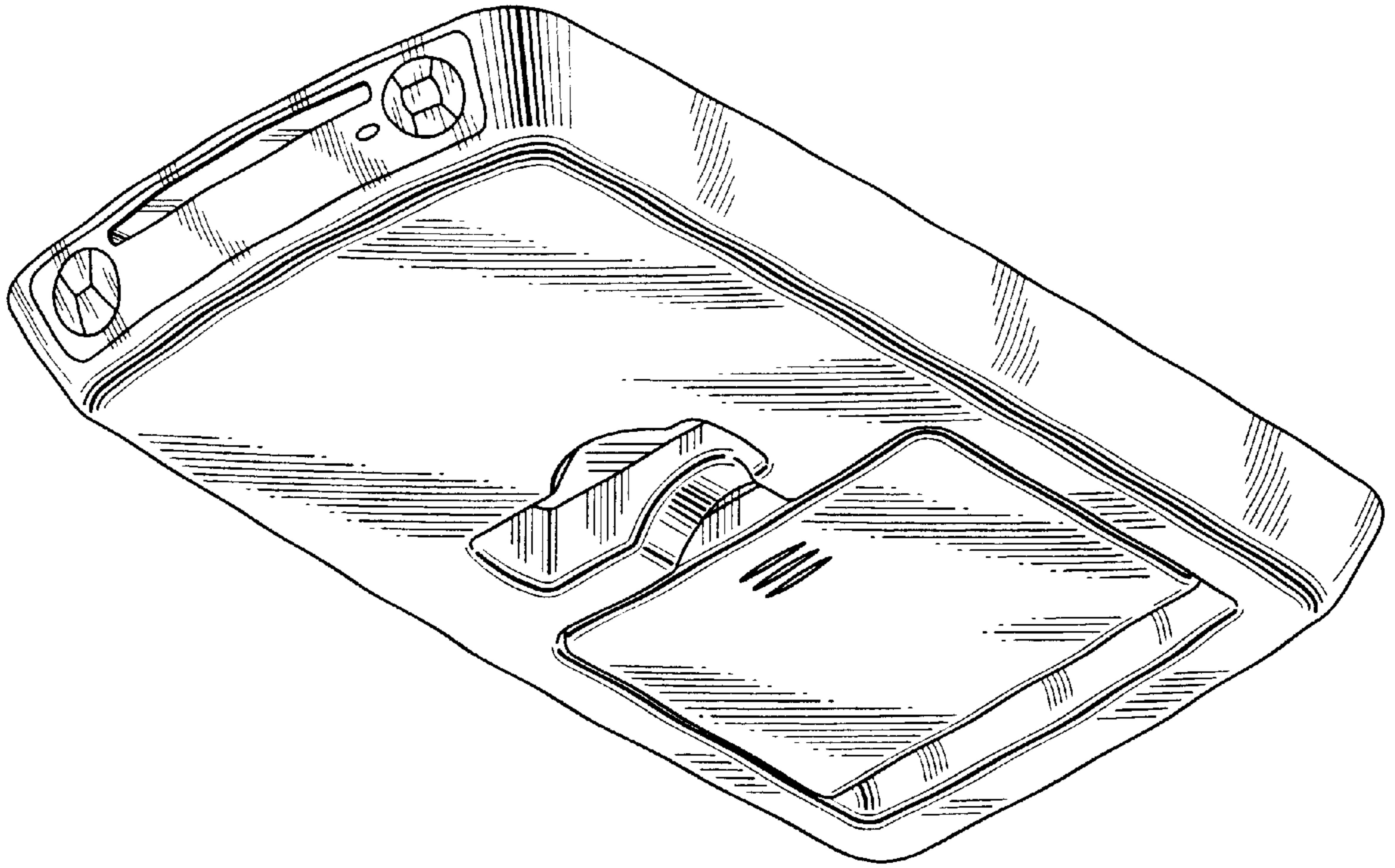


FIG. 2

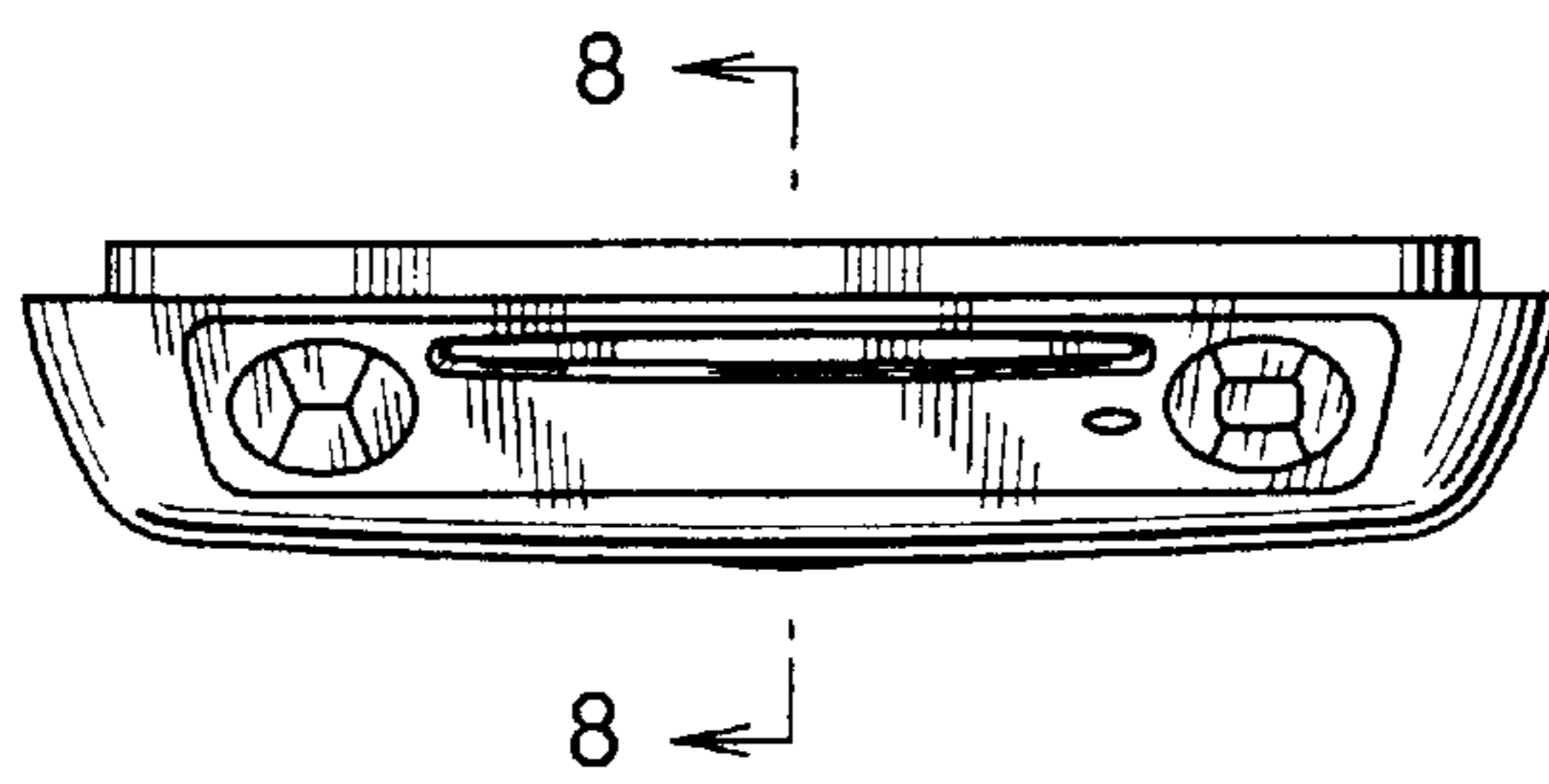


FIG. 3

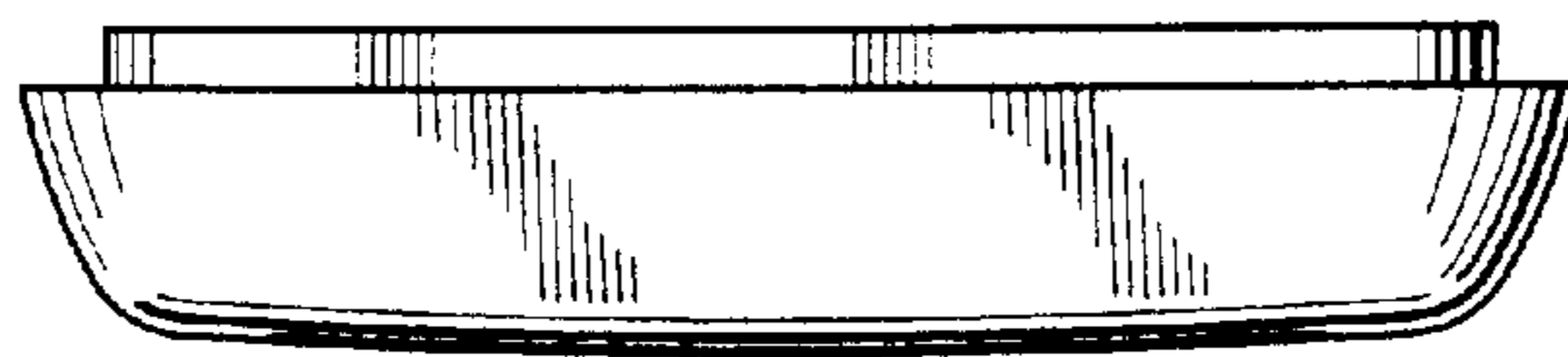


FIG.4

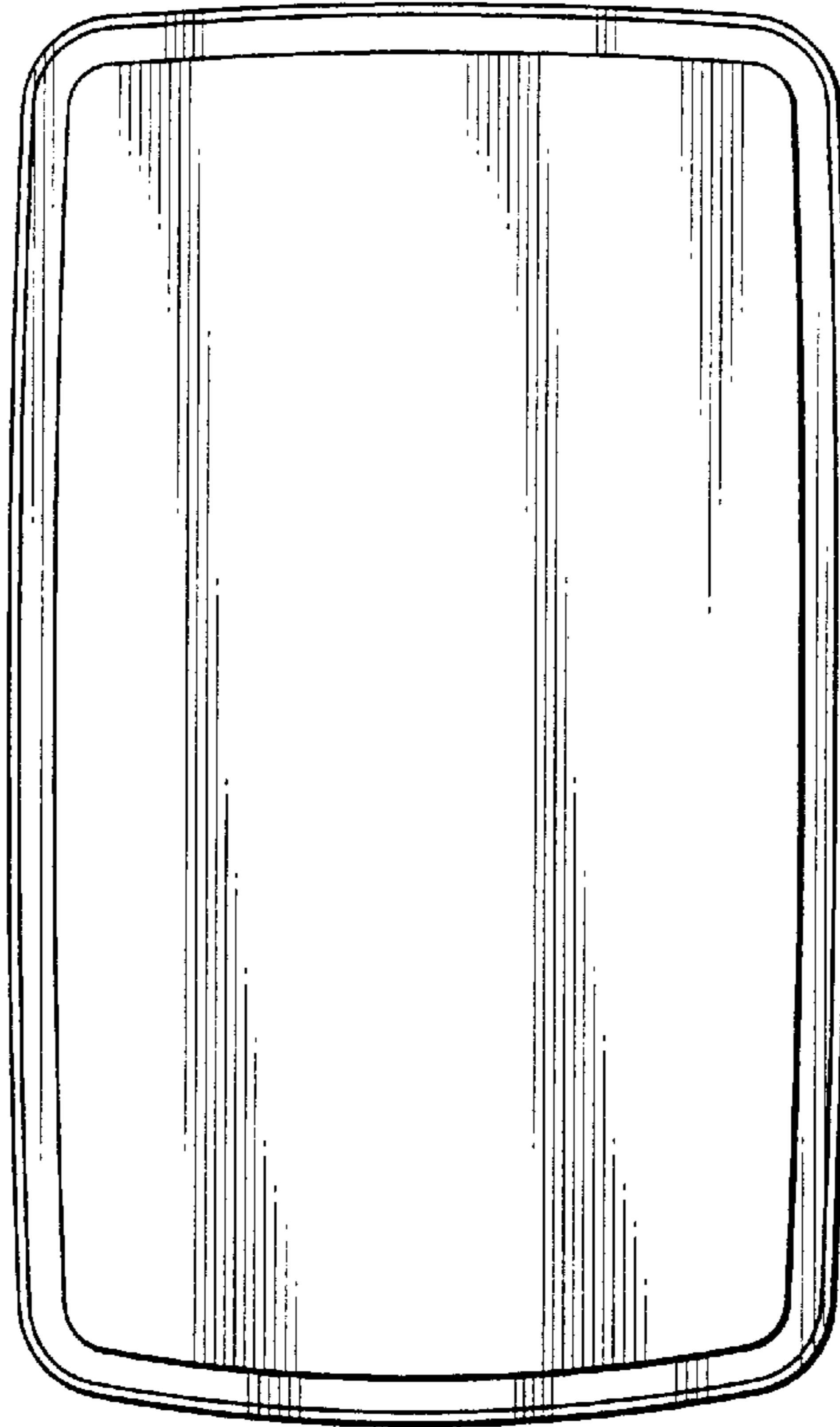


FIG.5

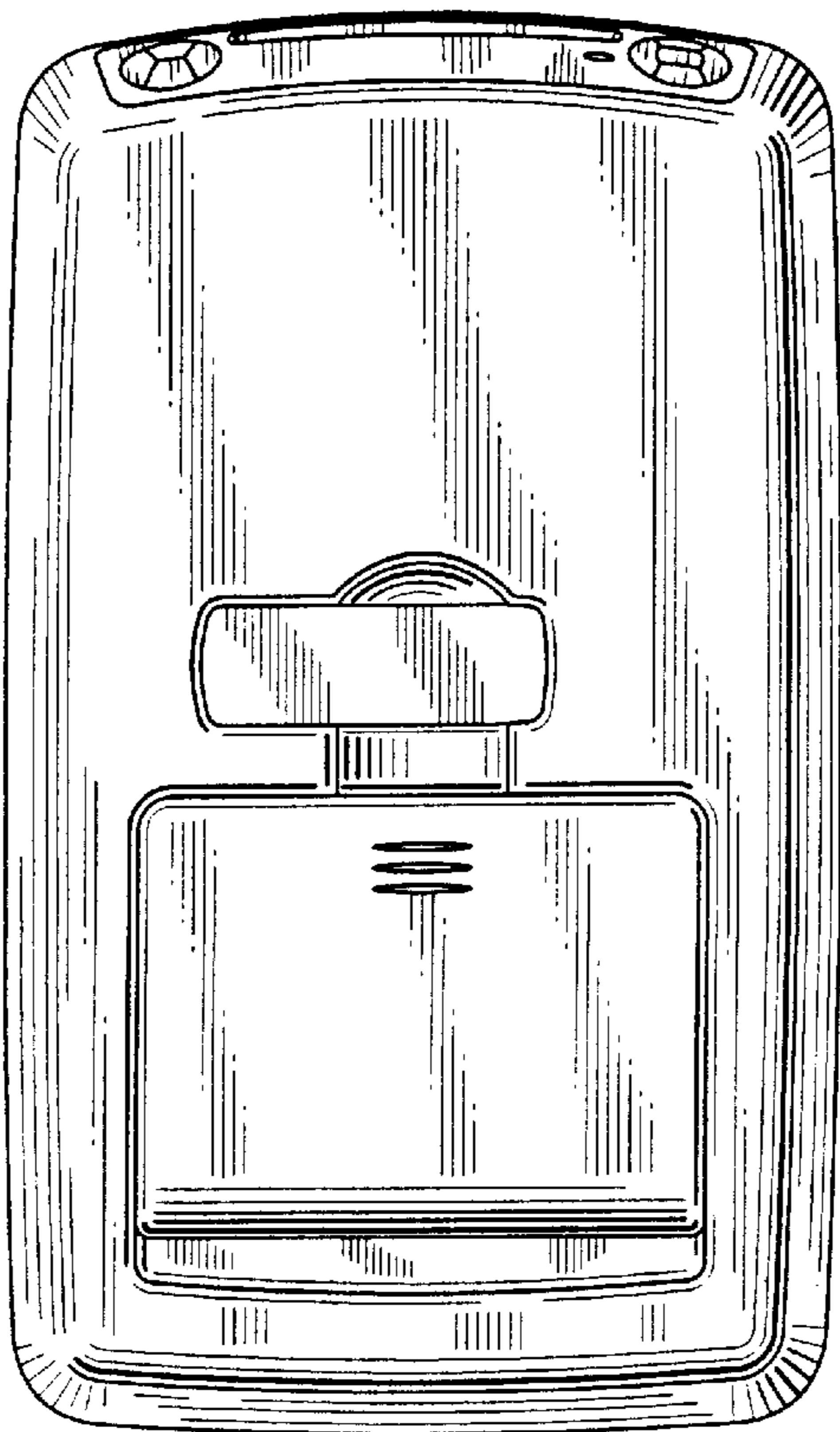


FIG.6

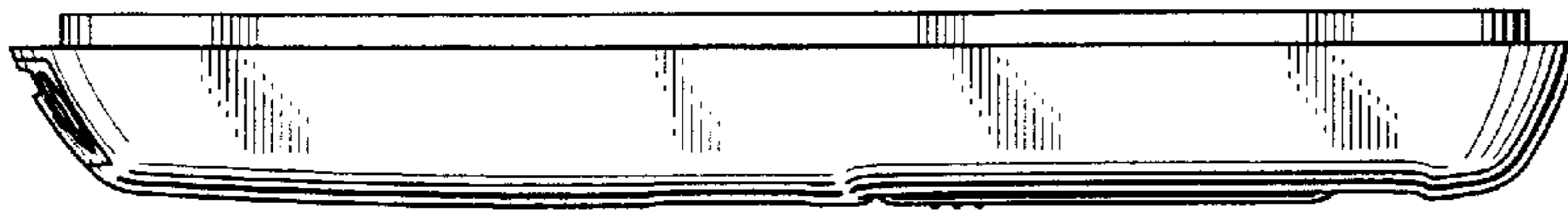


FIG.7

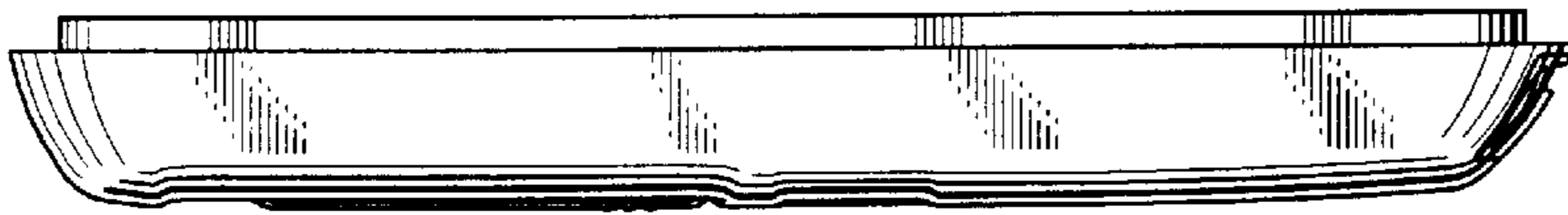


FIG.8

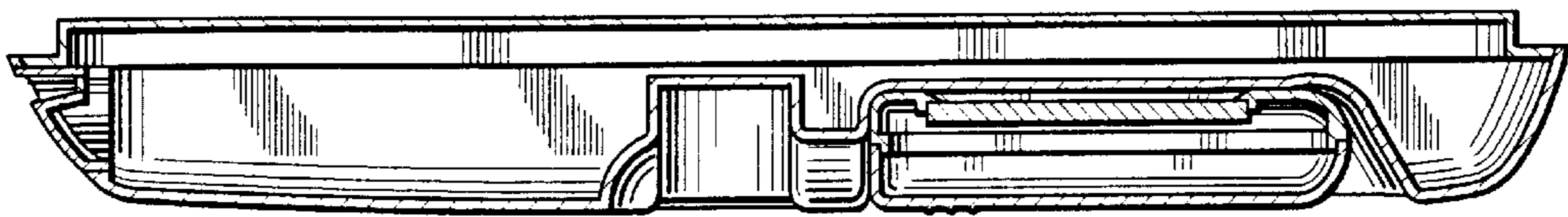


FIG.9

