



US00D462669S

(12) **United States Design Patent**
Schnackenberg et al.

(10) **Patent No.:** **US D462,669 S**

(45) **Date of Patent:** **** Sep. 10, 2002**

(54) **TRANSFER SWITCH FACE PANEL**

(75) Inventors: **Paul Schnackenberg**, Roswell, GA (US); **John G. Mandula**, Alpharetta, GA (US)

(73) Assignee: **Gen-Tran Corporation**, Roswell, GA (US)

(**) Term: **14 Years**

(21) Appl. No.: **29/133,841**

(22) Filed: **Dec. 8, 2000**

(51) **LOC (7) Cl.** **13-03**

(52) **U.S. Cl.** **D13/177**

(58) **Field of Search** D13/158, 162, D13/164; D14/115, 217, 240, 256; 200/5 R, 5 A; 361/627, 628, 631, 643, 644, 655, 668, 673

(56) **References Cited**

U.S. PATENT DOCUMENTS

| | | | | | |
|------------|---|---------|--------------|-------|---------|
| D122,844 S | * | 10/1940 | Platz | | D13/164 |
| D162,340 S | * | 3/1951 | Platz et al. | | D13/164 |
| D162,342 S | * | 3/1951 | Platz et al. | | D13/164 |
| D222,473 S | * | 10/1971 | Zecca | | D13/164 |
| D357,198 S | * | 4/1995 | Gatley | | D10/94 |
| D425,490 S | * | 5/2000 | Flegel | | D13/164 |

OTHER PUBLICATIONS

Gen-Tran Installation and Operating Instructions Manual for Gen-Tran Transfer Switches, at least as early as Dec. 7, 1999.

Brochure for Gen-Tran Transfer Switches disclosing Gen-Tran's product line of transfer switches; at least as early as Dec. 7, 1999.

Brochure for Gen-Tran Transfer Switches disclosing Gen-Tran's product line of transfer switches, 1998.

Gen-Tran Installation and Operating Instructions Manual for Gen-Tran Transfer Switches, 1983.

Brochure for Connecticut-Electric & Switch Mfg. Co. for 1999 Emergen Transfer Switch, at least as early as Dec. 7, 1999.

* cited by examiner

Primary Examiner—Ted Shooman

Assistant Examiner—Selina Sikder

(74) *Attorney, Agent, or Firm*—Dick And Harris

(57) **CLAIM**

The ornamental design for a transfer switch face panel, as shown and described.

DESCRIPTION

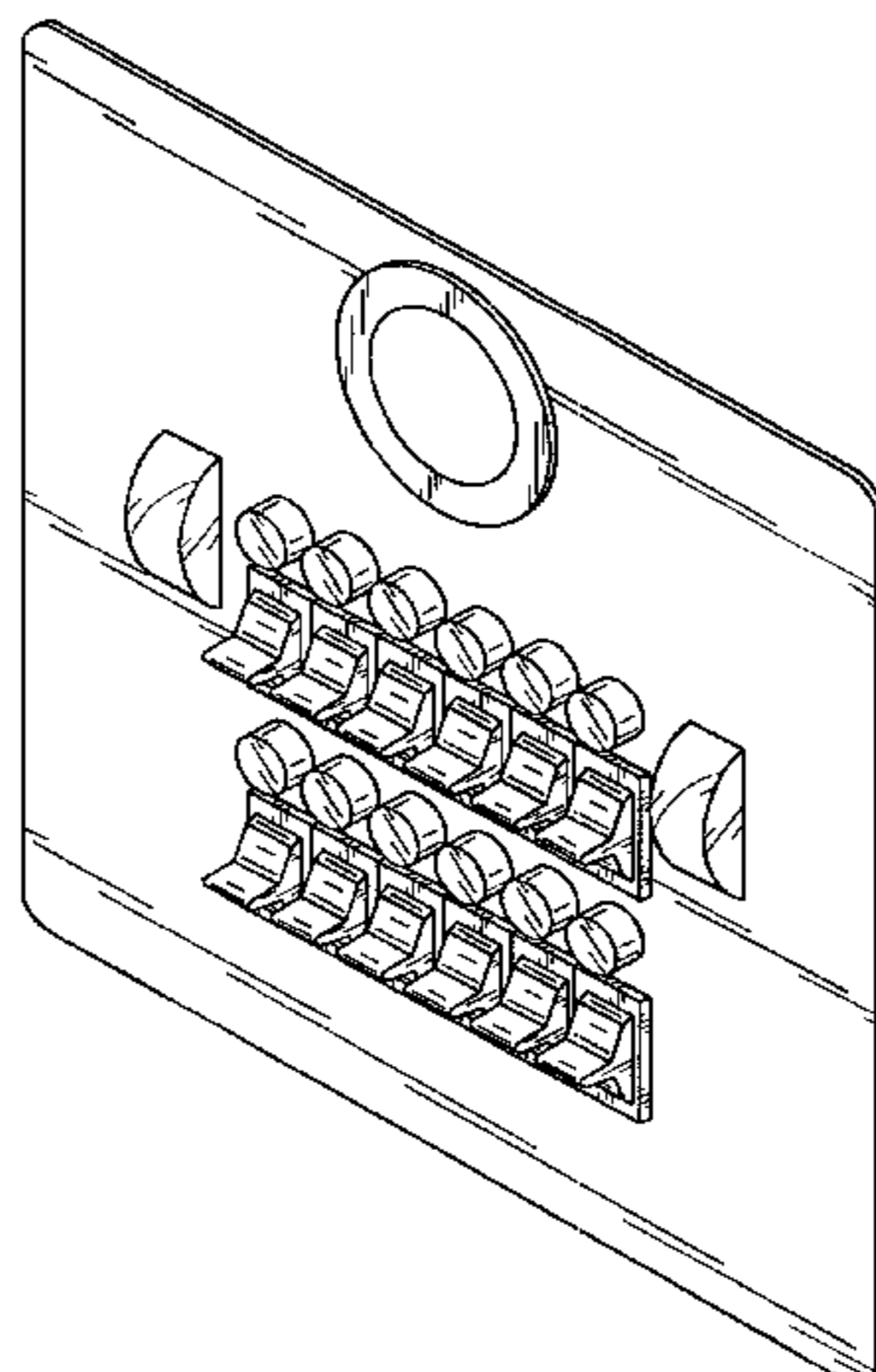
FIG. 1 is a front elevation of the transfer switch face panel, according to one embodiment of our new ornamental design.

FIG. 2 is a side elevation thereof; and,

FIG. 3 is a perspective view thereof.

Any elements shown in broken lines do not comprise part of the claimed subject matter, and are shown for environmental purposes. The large annular feature at the top center of the face panel surrounds a recessed opening, the interior of which is not part of the claimed invention. The two rows of cylindrical structures are at least partially clear, translucent or transparent. The two cylindrical segments at the opposed end of the upper row of cylindrical features are at least partially clear, translucent or transparent.

1 Claim, 2 Drawing Sheets



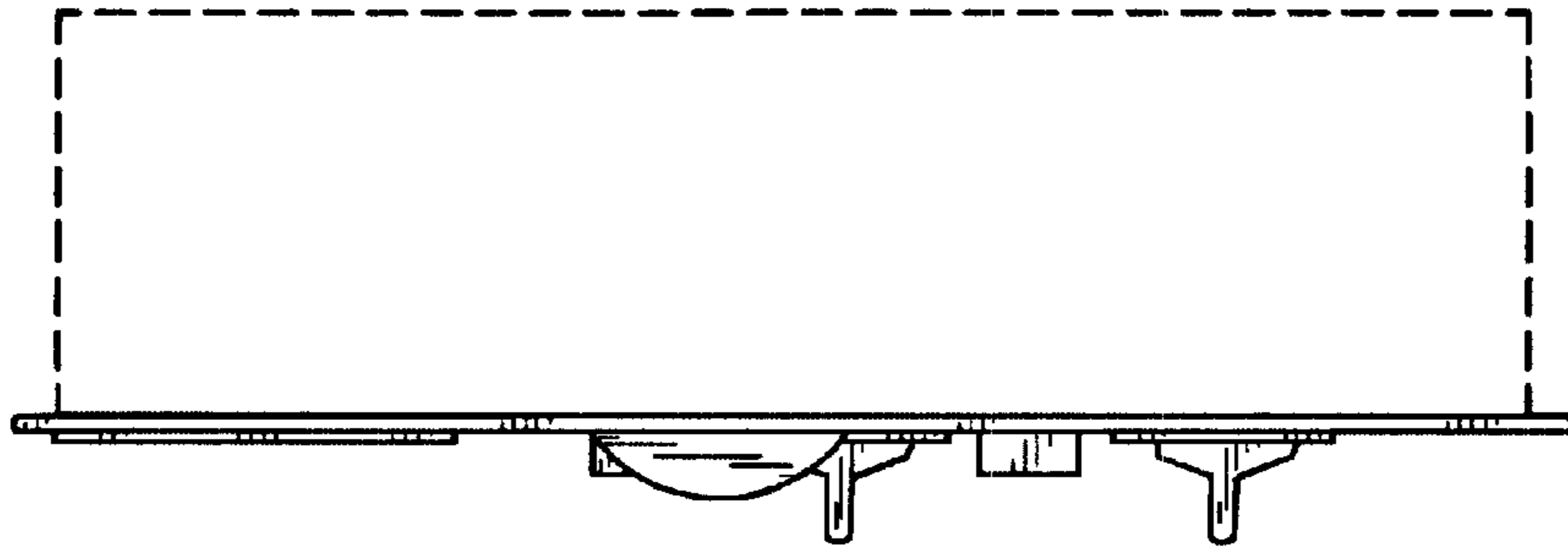


FIG. 2

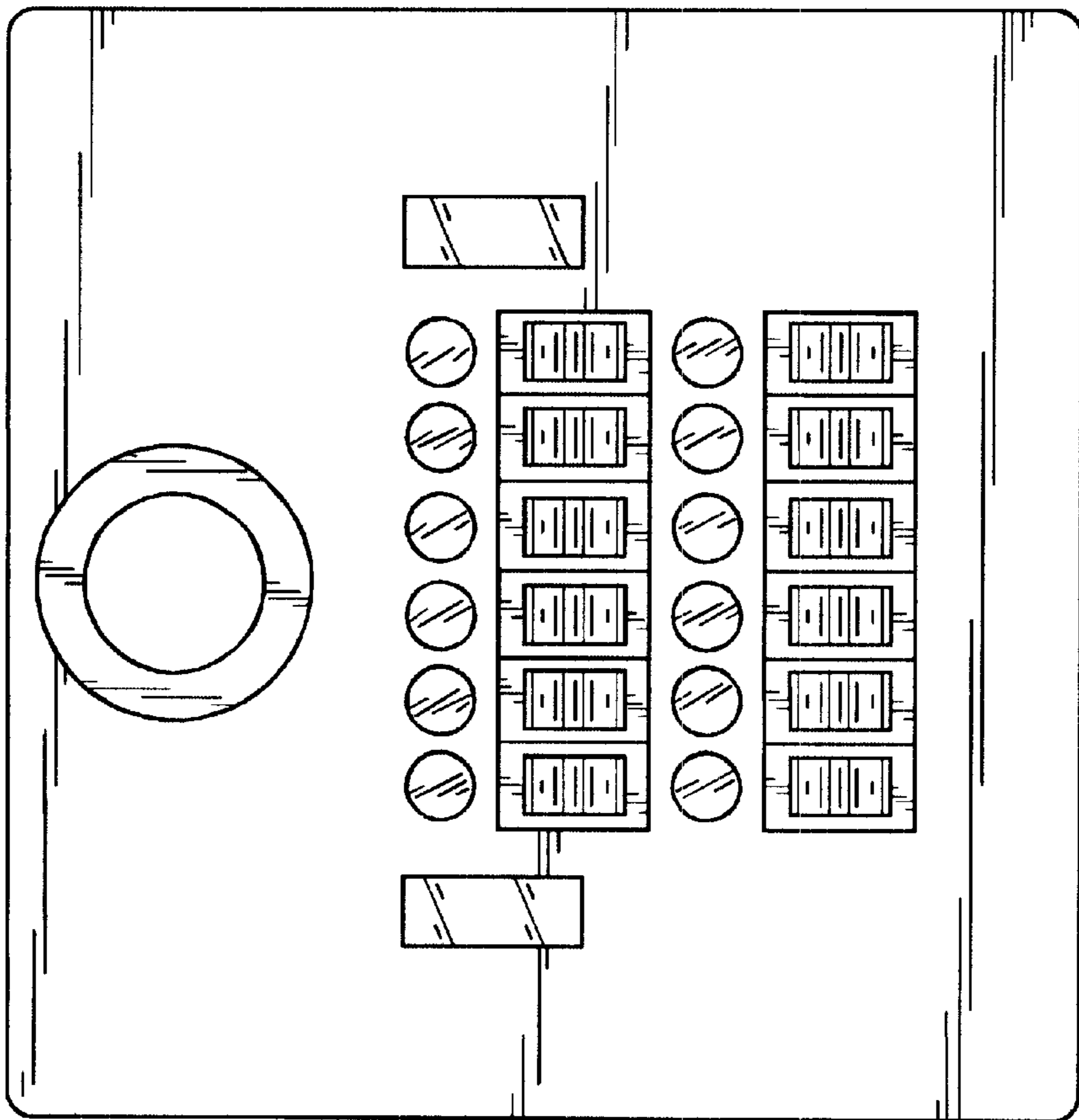


FIG. 1

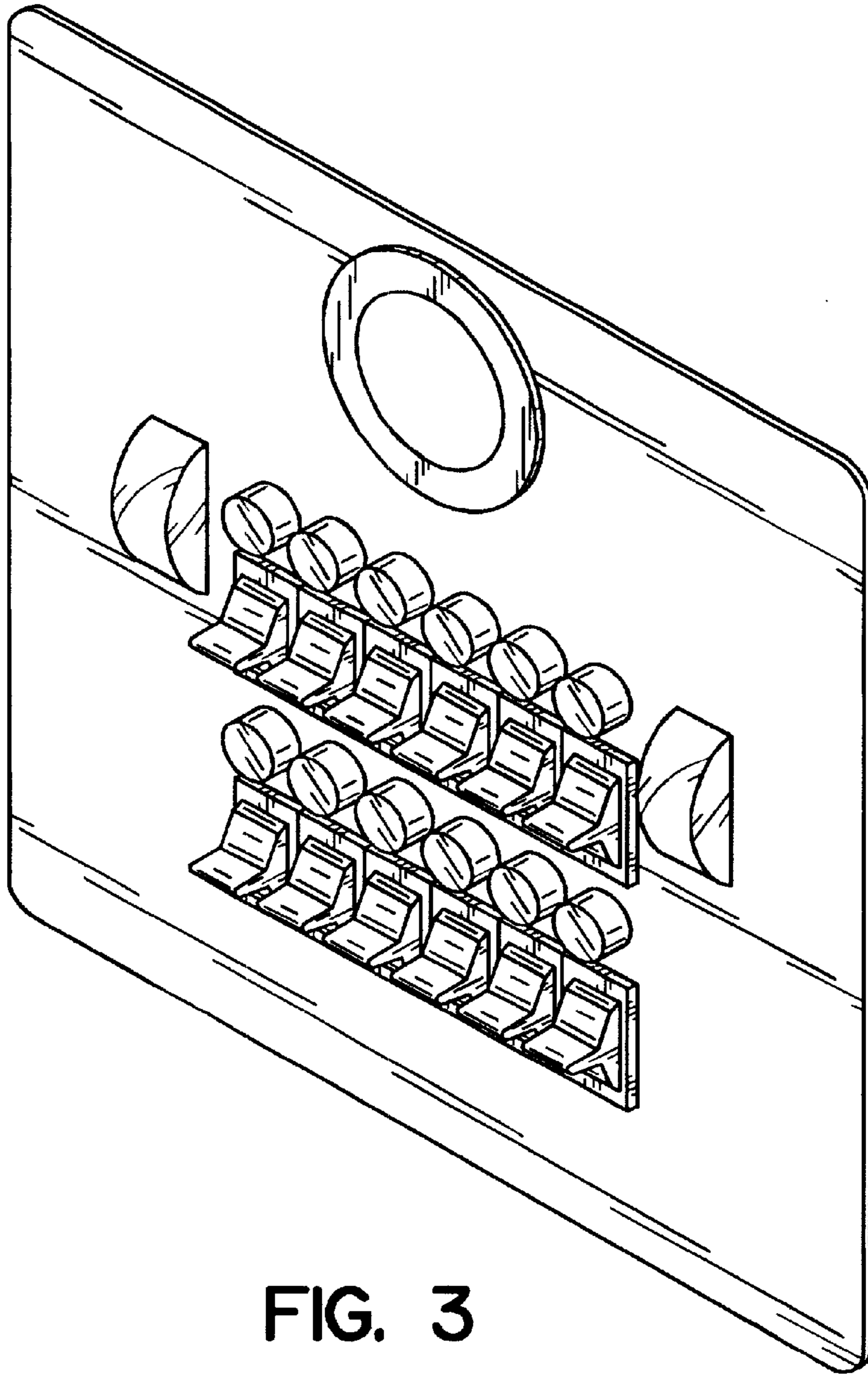


FIG. 3