



US00D462668S

(12) **United States Design Patent**  
**Yu**

(10) **Patent No.:** **US D462,668 S**

(45) **Date of Patent:** **\*\* Sep. 10, 2002**

(54) **SWITCH**

6,103,981 A \* 8/2000 Kremer ..... 200/296  
D440,946 S \* 4/2001 Yu ..... D13/169

(76) Inventor: **Tsung-Mou Yu**, No. 4, Alley 2, Lane  
23, Sec. 3, Pa Te Road, Panchiao,  
Taipei (TW)

\* cited by examiner

(\*\*) Term: **14 Years**

*Primary Examiner*—Ted Shooman  
*Assistant Examiner*—Selina Sikder

(21) Appl. No.: **29/144,795**

(57) **CLAIM**

(22) Filed: **Jul. 10, 2001**

The ornamental design for switch, as shown and described.

(51) **LOC (7) Cl.** ..... **13-03**

**DESCRIPTION**

(52) **U.S. Cl.** ..... **D13/169**

FIG. 1 is a perspective view of switch showing my new design;

(58) **Field of Search** ..... D13/158, 167,  
D13/169, 170, 171, 174; 200/437, 553,  
277.2, 315, 339, 302.3, 5 A, 5 R

FIG. 2 is a front elevational view thereof;

FIG. 3 is a rear elevational view thereof;

FIG. 4 is a left side elevational view thereof;

FIG. 5 is right side elevational view thereof;

FIG. 6 is a top view thereof; and,

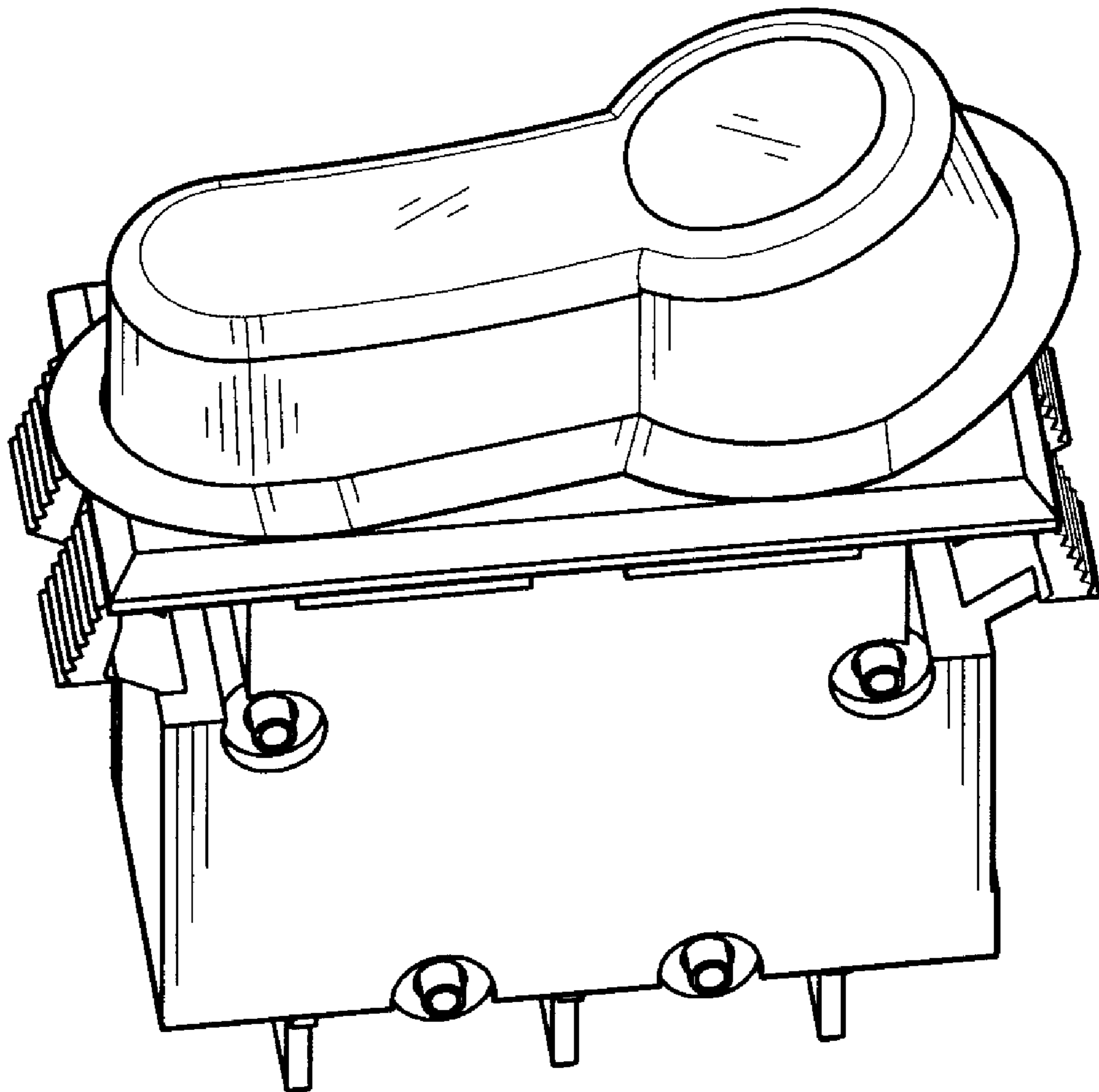
FIG. 7 is a bottom view thereof.

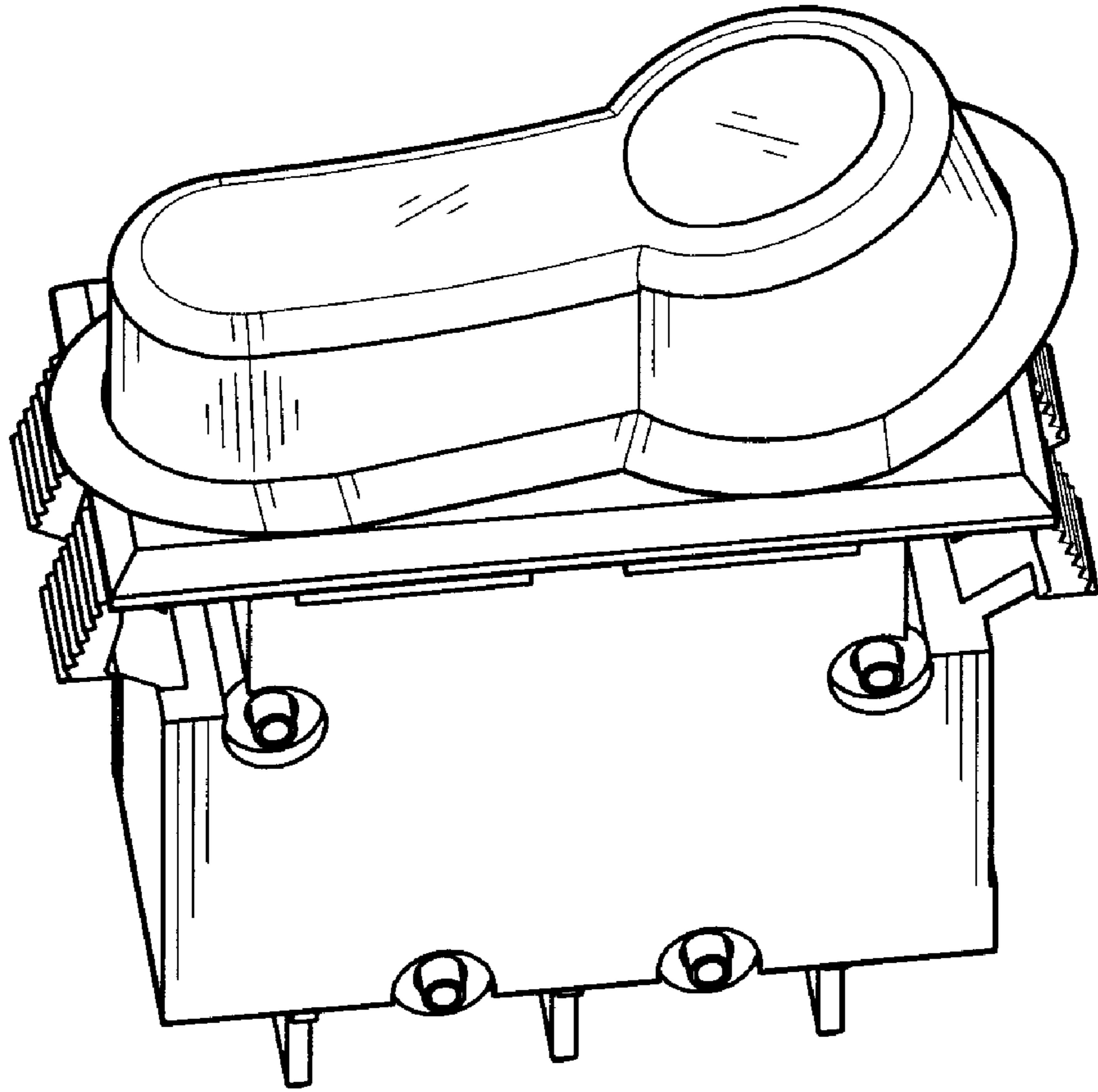
(56) **References Cited**

**U.S. PATENT DOCUMENTS**

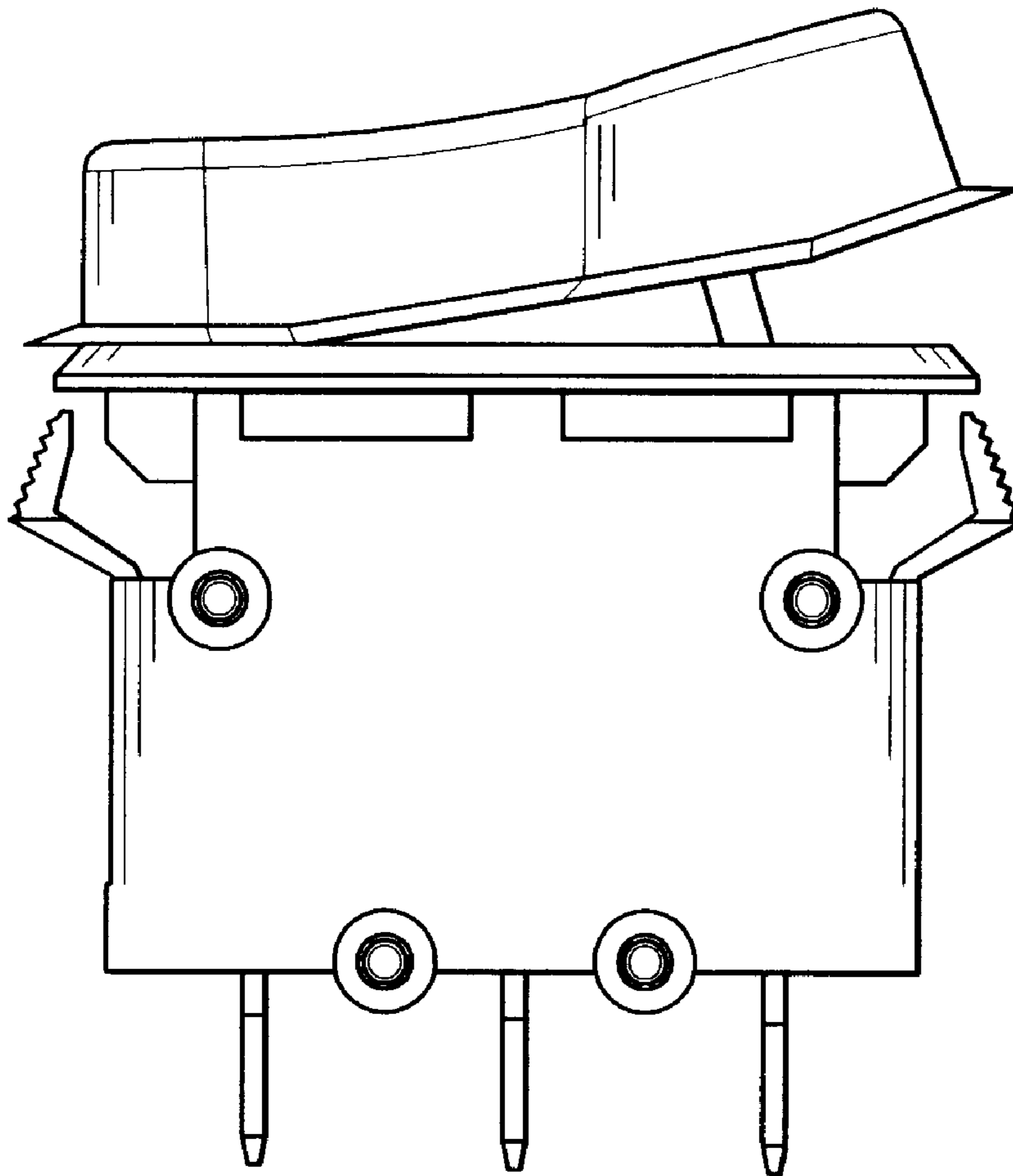
D308,963 S \* 7/1990 Osika ..... D13/169  
5,660,270 A \* 8/1997 Martin et al. .... 200/315  
5,909,020 A \* 6/1999 Gallone ..... 200/438

**1 Claim, 7 Drawing Sheets**

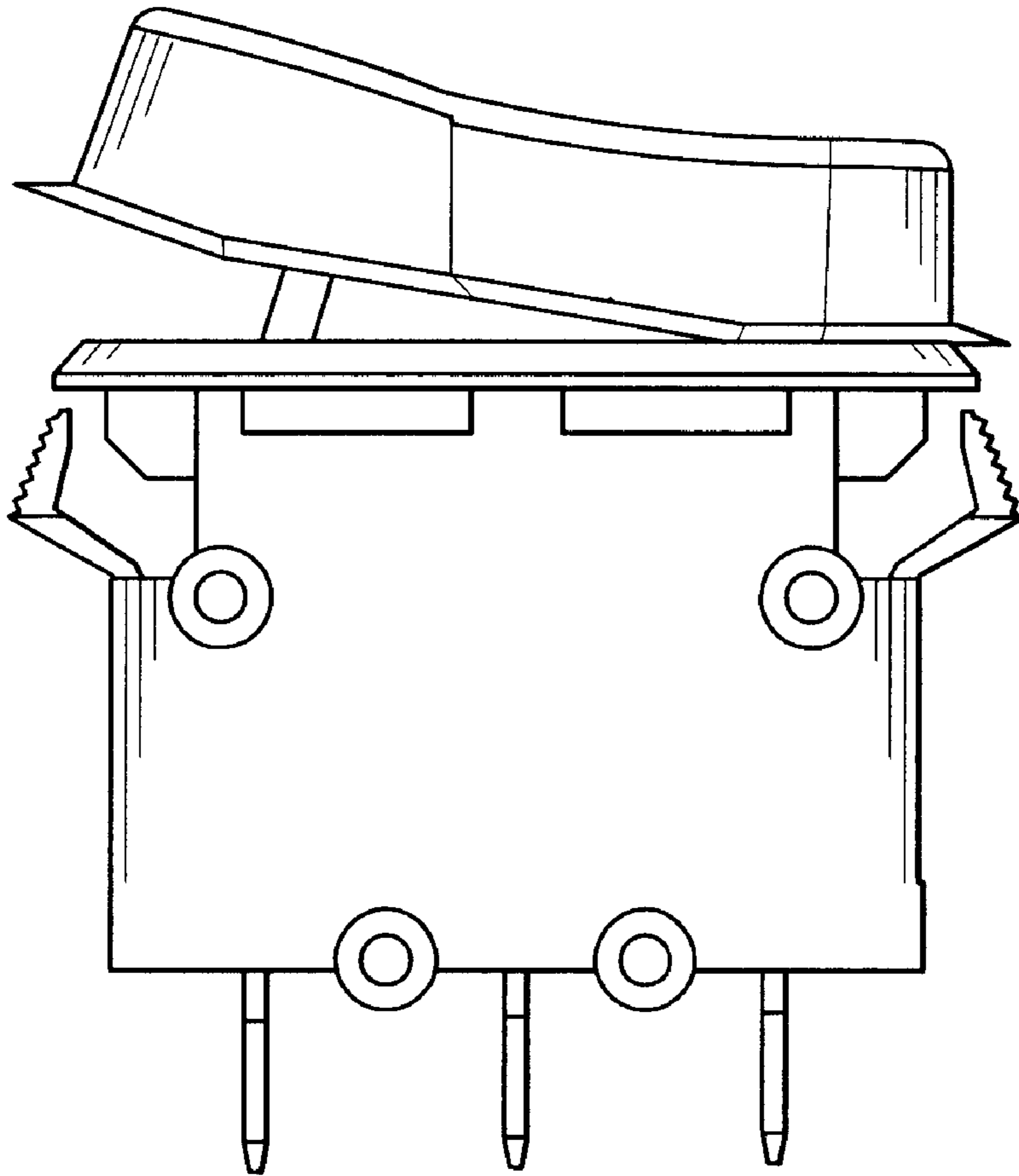




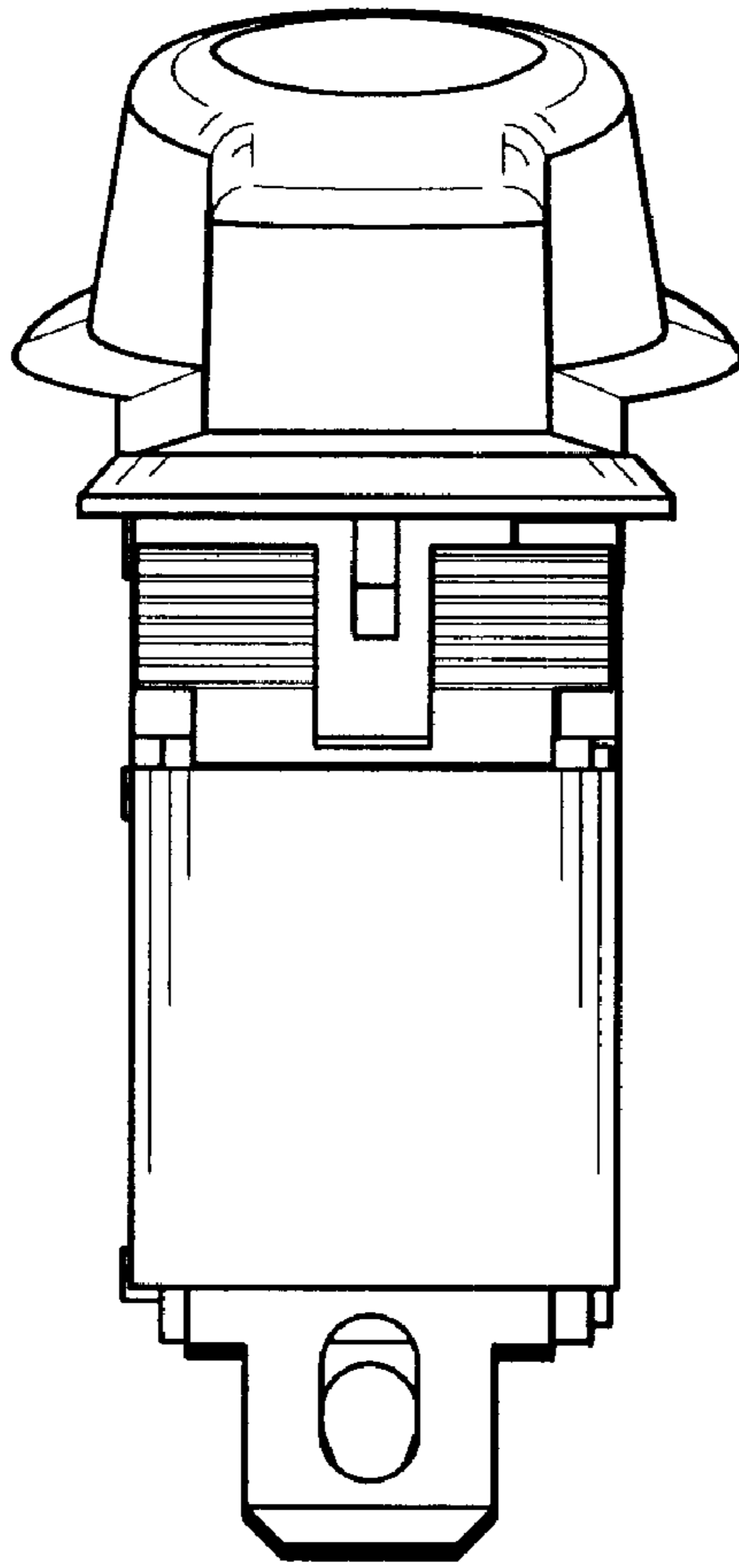
**FIG. 1**



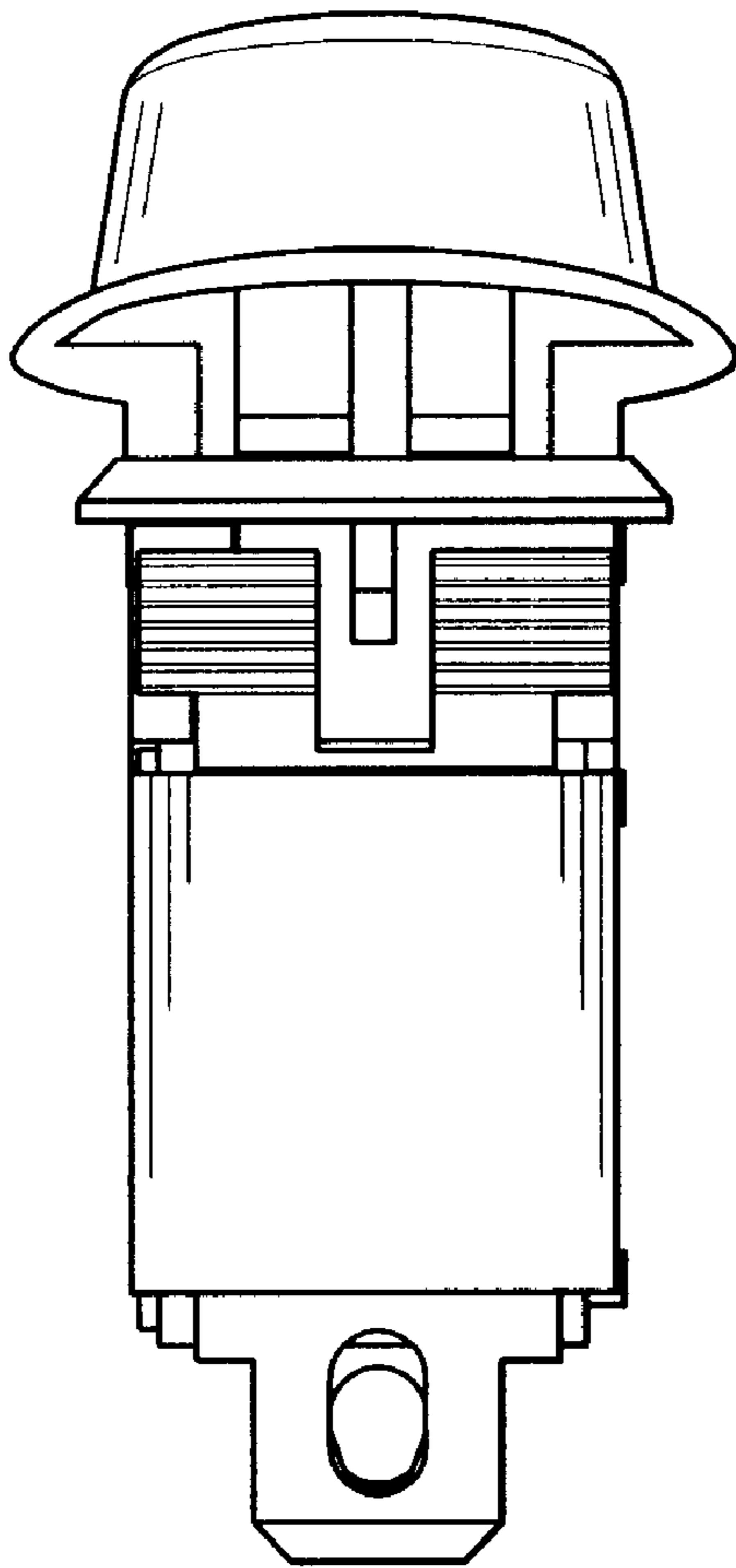
**FIG. 2**



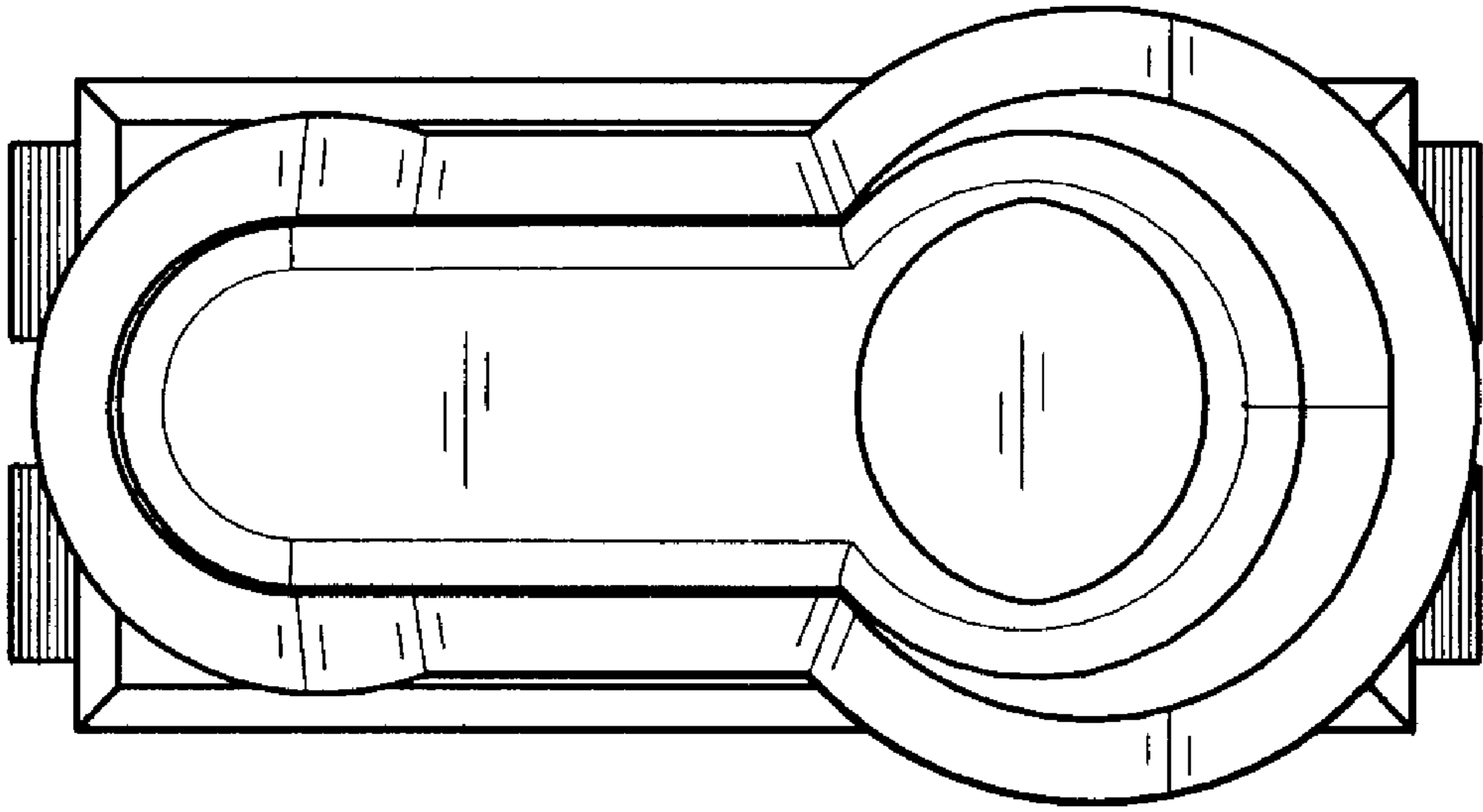
**FIG. 3**



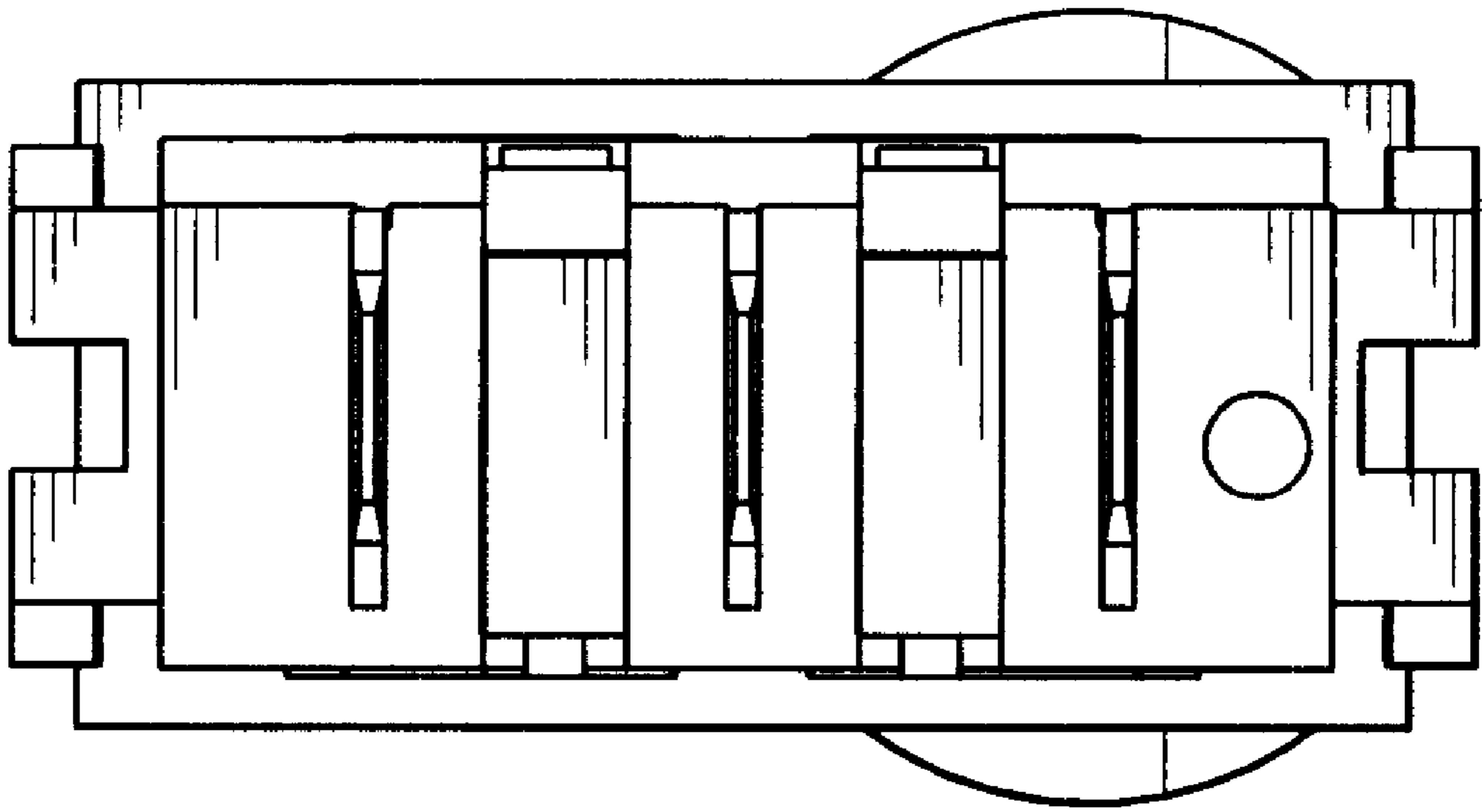
**FIG. 4**



**FIG. 5**



**FIG. 6**



**FIG. 7**