



US00D462667S

(12) **United States Design Patent**
Donofrio et al.

(10) **Patent No.:** **US D462,667 S**

(45) **Date of Patent:** **** Sep. 10, 2002**

(54) **HAND PIECE SWITCH ADAPTER**

(75) Inventors: **William T. Donofrio; Richard M. Harper**, both of Cincinnati; **Robert Perrin Gill, Mason; Richard F. Schwemberger; Mary E. Schramm**, both of Cincinnati, all of OH (US)

(73) Assignee: **Ethicon Endo-Surgery, Inc**, Cincinnati, OH (US)

(**) Term: **14 Years**

(21) Appl. No.: **29/131,393**

(22) Filed: **Oct. 20, 2000**

(51) **LOC (7) Cl.** **13-03**

(52) **U.S. Cl.** **D13/168**

(58) **Field of Search** D13/158, 164, D13/168; D10/49, 104; D14/192, 218, 248, 426, 432, 433; 200/293, 293.1, 332.2; 606/42, 51

(56) **References Cited**

U.S. PATENT DOCUMENTS

1,242,115	A	*	10/1917	Russell	200/551
3,161,899	A	*	12/1964	Poizat	15/23
4,772,765	A	*	9/1988	Markle et al.	200/1 V
D318,670	S	*	7/1991	Taniguchi	D14/205
D322,609	S	*	12/1991	Patton	D14/218
D326,655	S	*	6/1992	Iribe	D14/192
D344,524	S	*	2/1994	Taniguchi	D14/218

D364,641	S	*	11/1995	Osterhout	D19/36
D381,417	S	*	7/1997	Simmons et al.	D24/112
D419,556	S	*	1/2000	Haney	D14/192
D420,004	S	*	2/2000	Haney	D14/192
D445,708	S	*	7/2001	Huang et al.	D10/104
D446,512	S	*	8/2001	Lee	D14/248
D448,359	S	*	9/2001	Do et al.	D14/223

* cited by examiner

Primary Examiner—Ted Shooman

Assistant Examiner—Selina Sikder

(74) *Attorney, Agent, or Firm*—Darby & Darby

(57) **CLAIM**

The ornamental design for a hand piece switch adapter, as shown and described.

DESCRIPTION

FIG. 1 is a perspective view of a handpiece switch adapter as seen from the top, front and right sides;

FIG. 2 is a top plan view thereof, the bottom plan being a mirror image;

FIG. 3 is a right side elevational view thereof, the left side elevation being a mirror image;

FIG. 4 is a front elevational view thereof;

FIG. 5 is a rear elevational view thereof;

FIG. 6 is an exploded perspective view thereof; and,

FIG. 7 is an exploded top plan view thereof.

The broken line showing of the environment is for illustrative purpose only and forms no part of the claimed design.

1 Claim, 4 Drawing Sheets

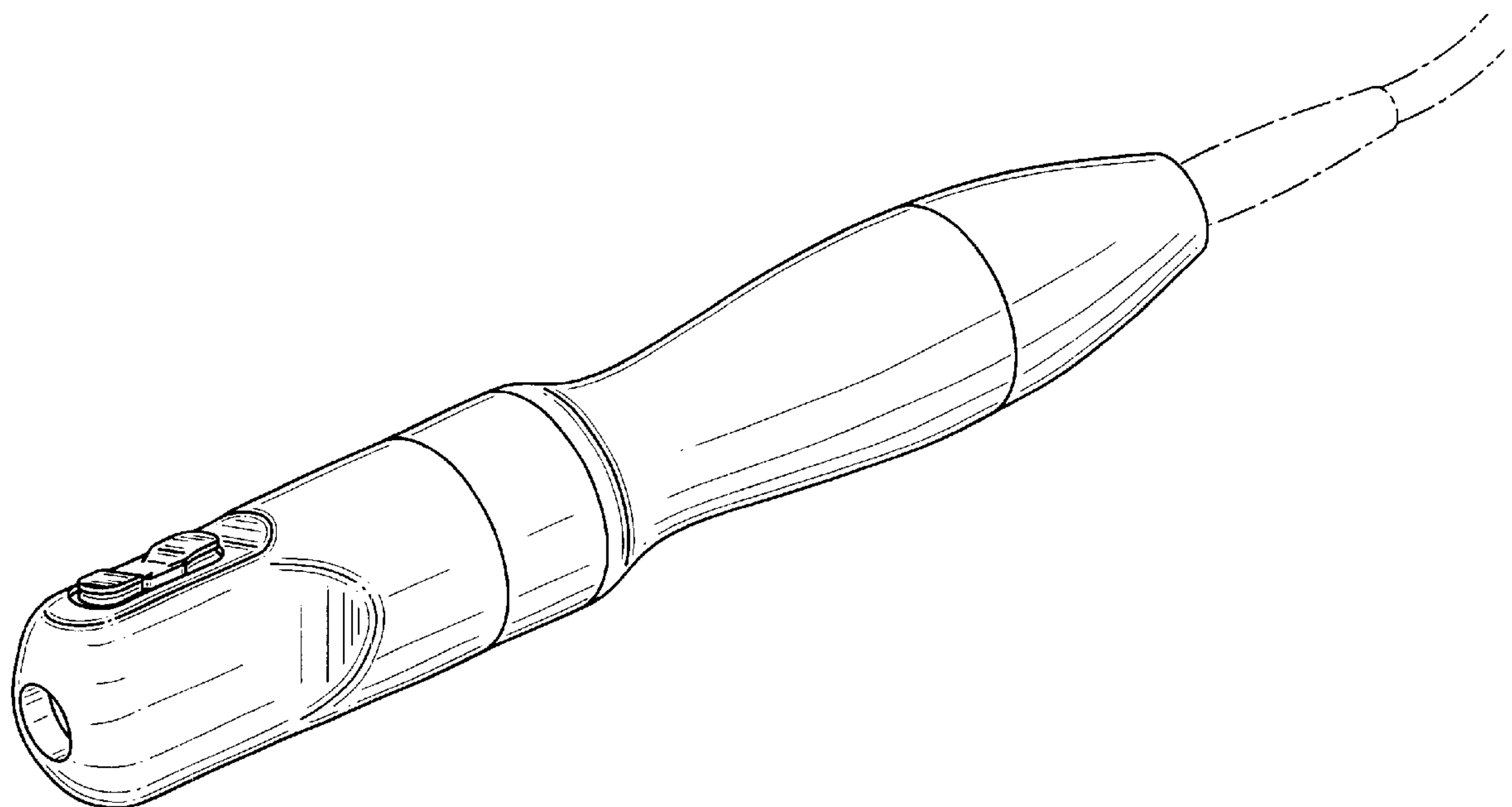


FIG. 1

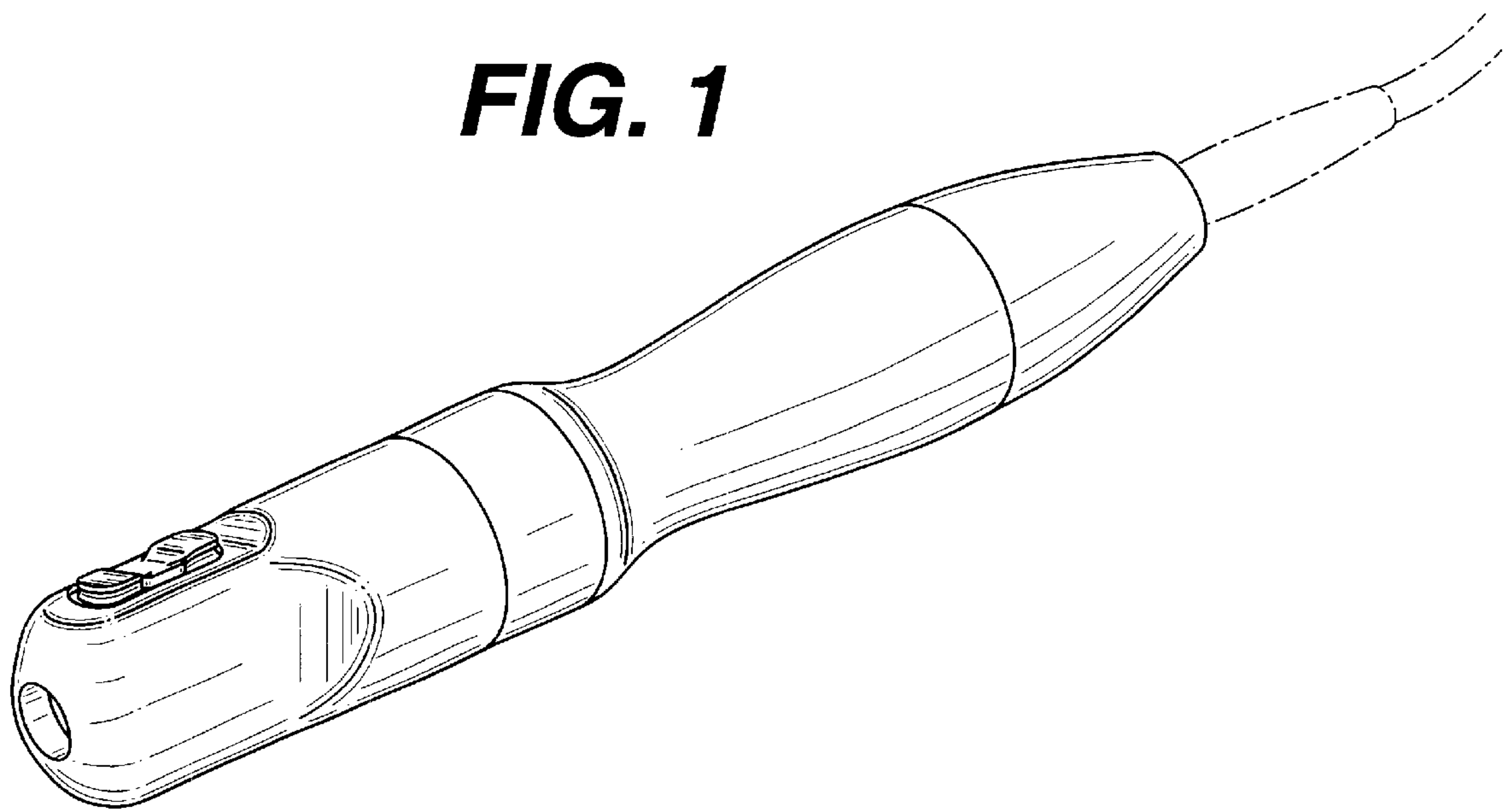


FIG. 2

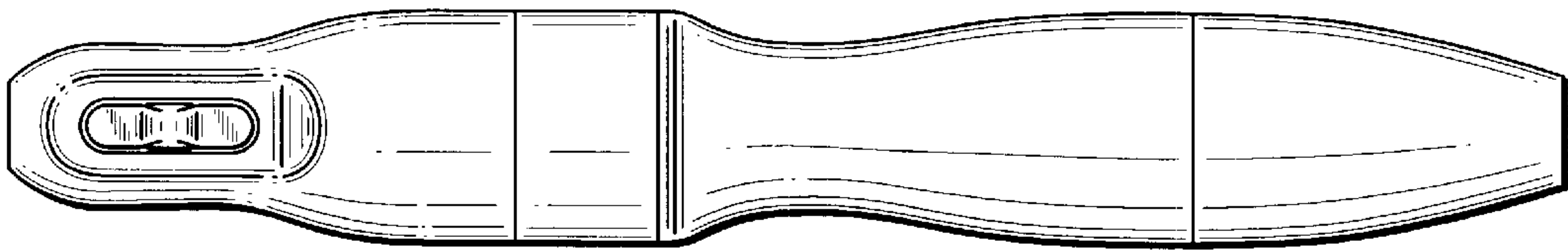


FIG. 3

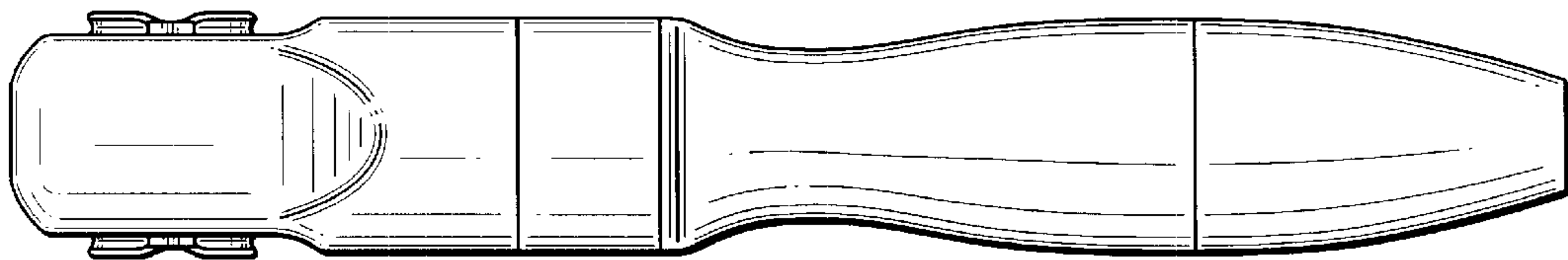


FIG. 4

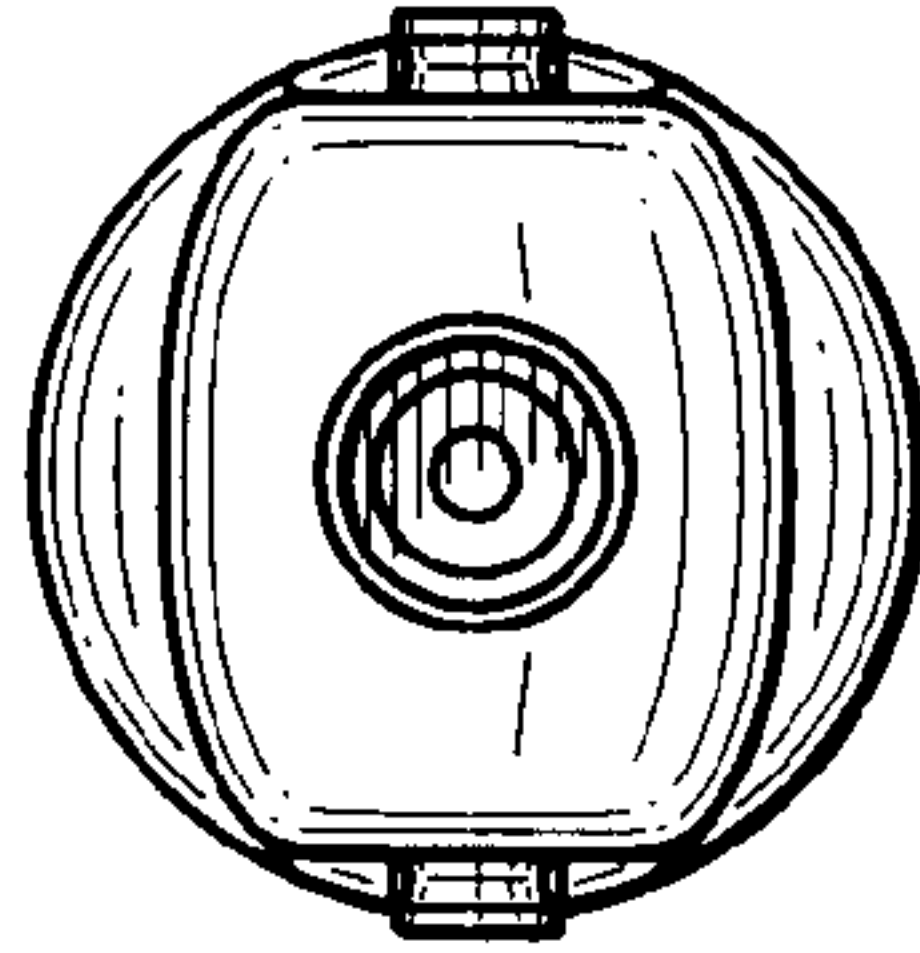
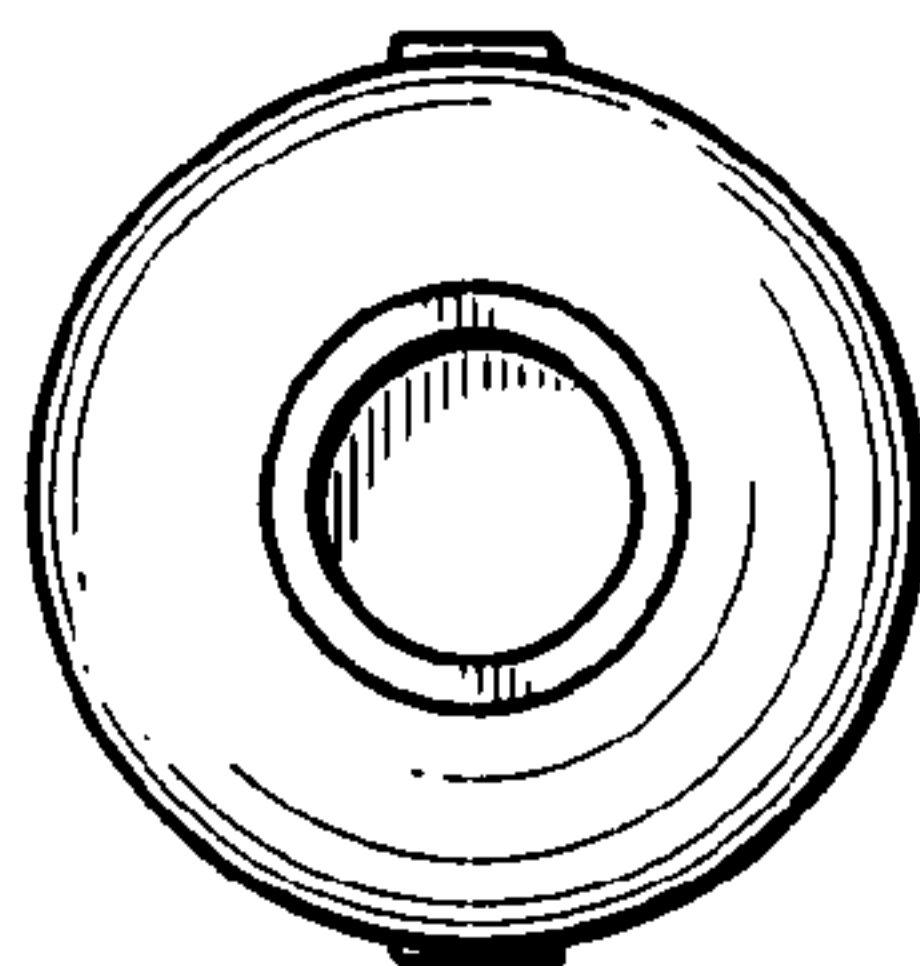


FIG. 5



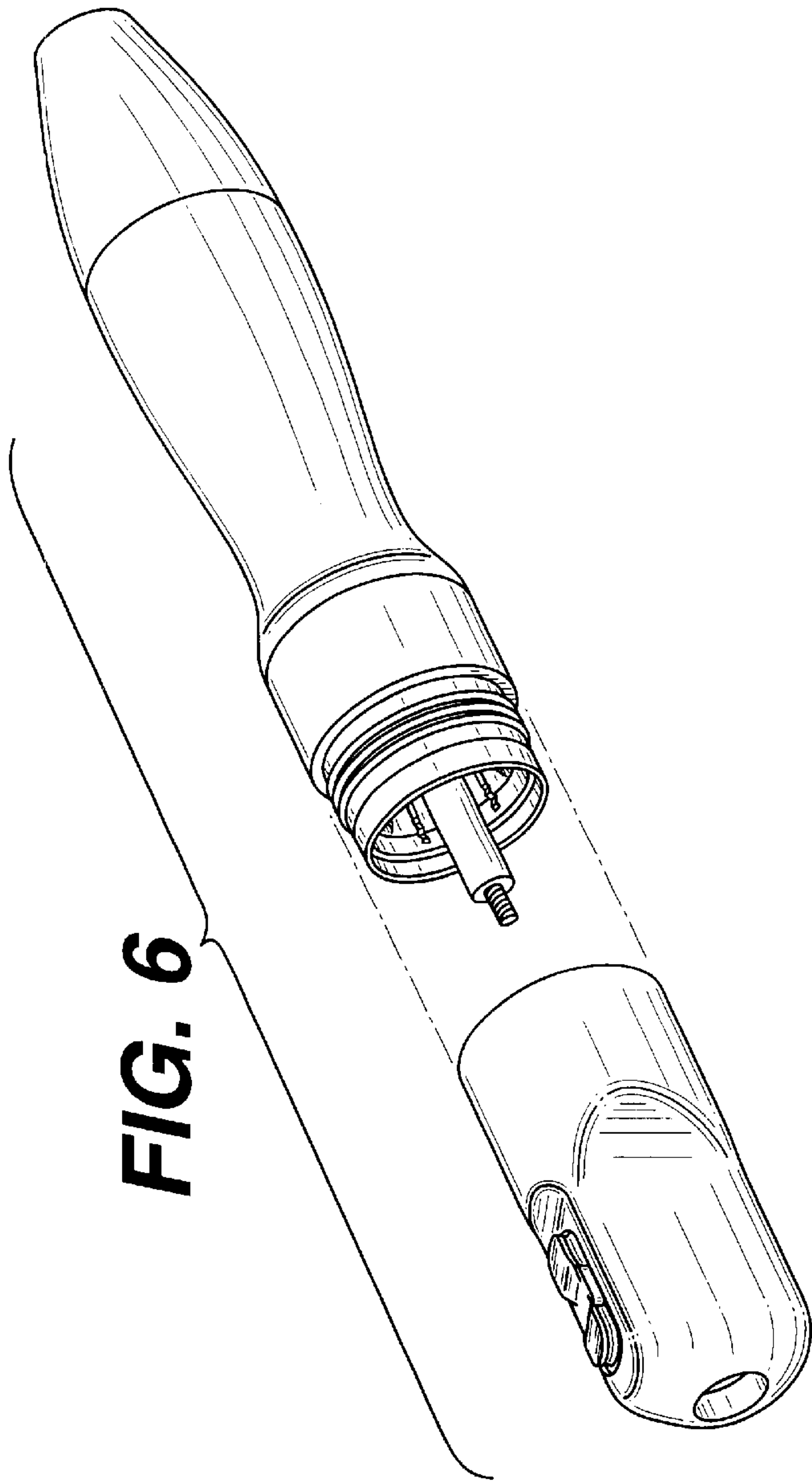


FIG. 7

