



US00D462666S

(12) **United States Design Patent**  
**Yamasaki et al.**

(10) **Patent No.:** **US D462,666 S**

(45) **Date of Patent:** **\*\* Sep. 10, 2002**

(54) **MULTI-DIRECTIONAL OPERATING SWITCH**

5,868,620 A \* 2/1999 Wada et al. .... 463/38  
5,889,242 A \* 3/1999 Ishihara et al. .... 200/6 A  
D434,388 S \* 11/2000 Omata ..... D13/158

(75) Inventors: **Masato Yamasaki**, Okayama (JP); **Jun Sato**, Okayama (JP); **Tetsuya Fukuda**, Okayama (JP)

\* cited by examiner

(73) Assignee: **Matsushita Electric Industrial Co., Ltd.**, Osaka (JP)

*Primary Examiner*—James Gandy  
*Assistant Examiner*—Selina Sikder

(\*\*) Term: **14 Years**

(74) *Attorney, Agent, or Firm*—Christensen O'Connor Johnson Kindness PLLC

(21) Appl. No.: **29/124,219**

(22) Filed: **May 31, 2000**

(57) **CLAIM**

The ornamental design for a multi-directional operating switch, as shown and described.

(30) **Foreign Application Priority Data**

Dec. 1, 1999 (JP) ..... 11-33295

**DESCRIPTION**

(51) **LOC (7) Cl.** ..... **13-03**

(52) **U.S. Cl.** ..... **D13/158**

(58) **Field of Search** ..... D13/158, 171,  
D13/173, 174; 200/5 R, 5 A, 5 B, 6 R,  
302.3, 329

FIG. 1 is a perspective view of the top, front and right side of a multidirectional operating switch showing show our new design;

FIG. 2 is a front view thereof;

FIG. 3 is a right side view;

FIG. 4 is a top plan view thereof;

FIG. 5 is a bottom plan view thereof;

FIG. 6 is a rear view thereof; and,

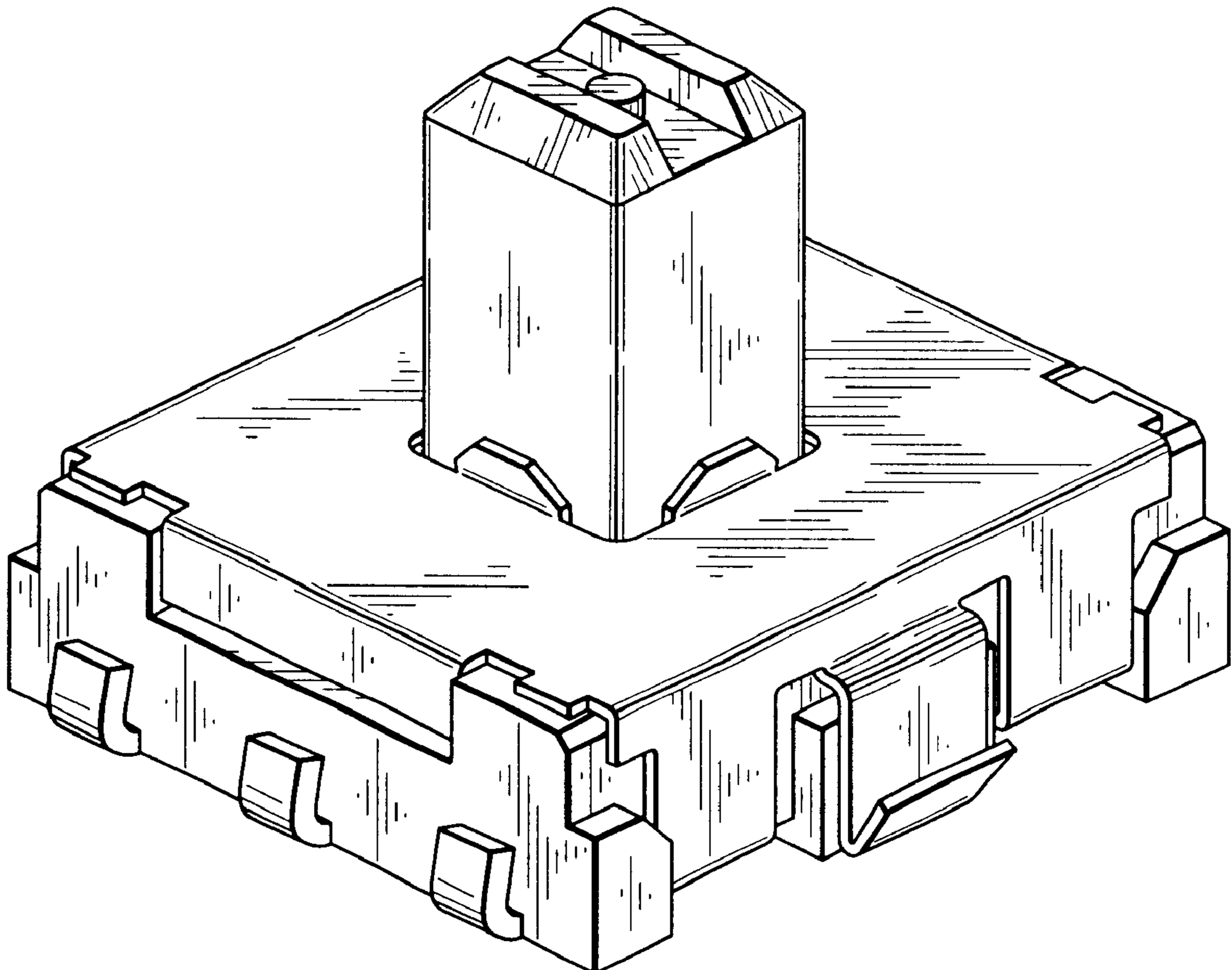
FIG. 7 is a left side view thereof.

(56) **References Cited**

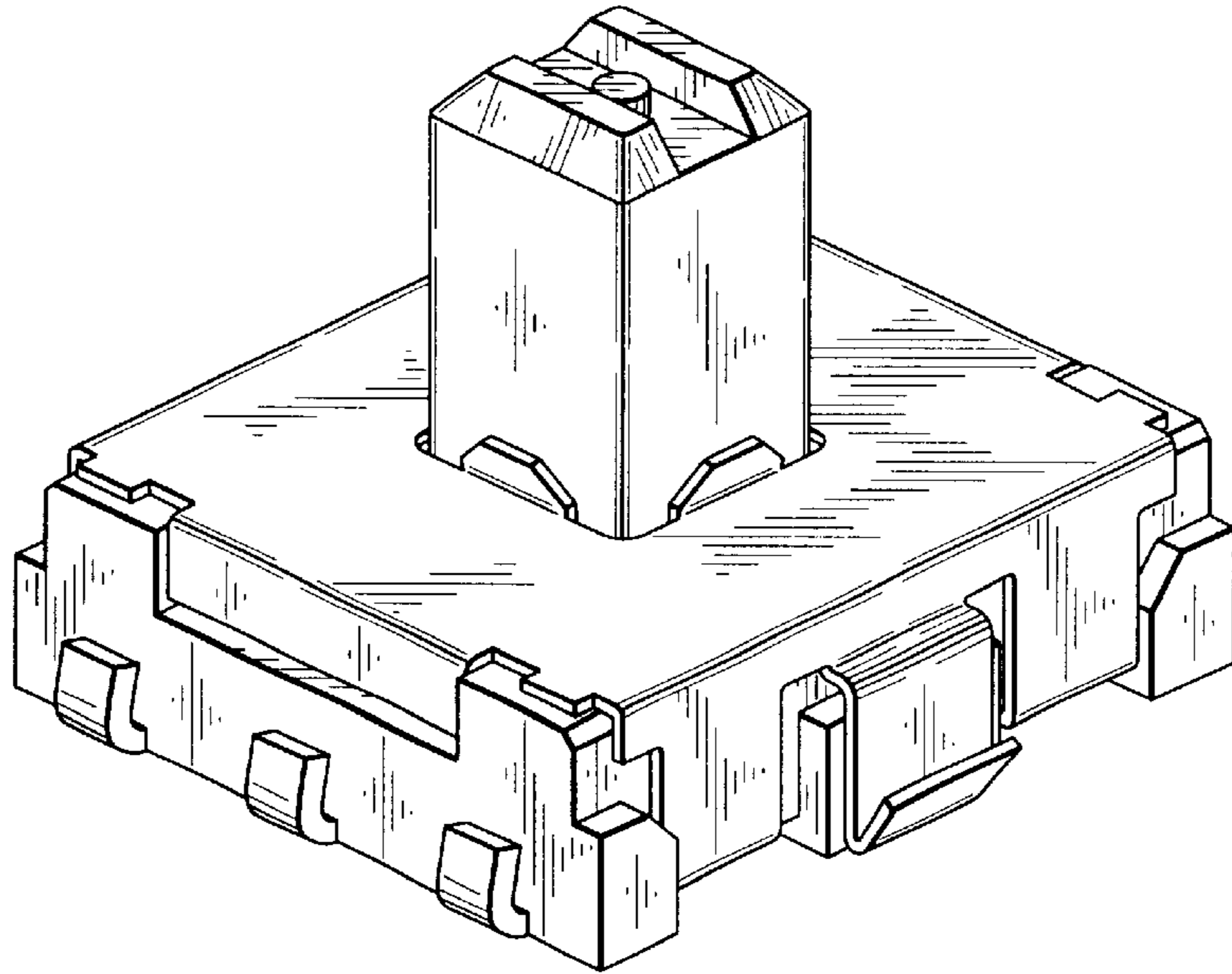
**U.S. PATENT DOCUMENTS**

5,245,147 A \* 9/1993 Kobayashi ..... 200/520

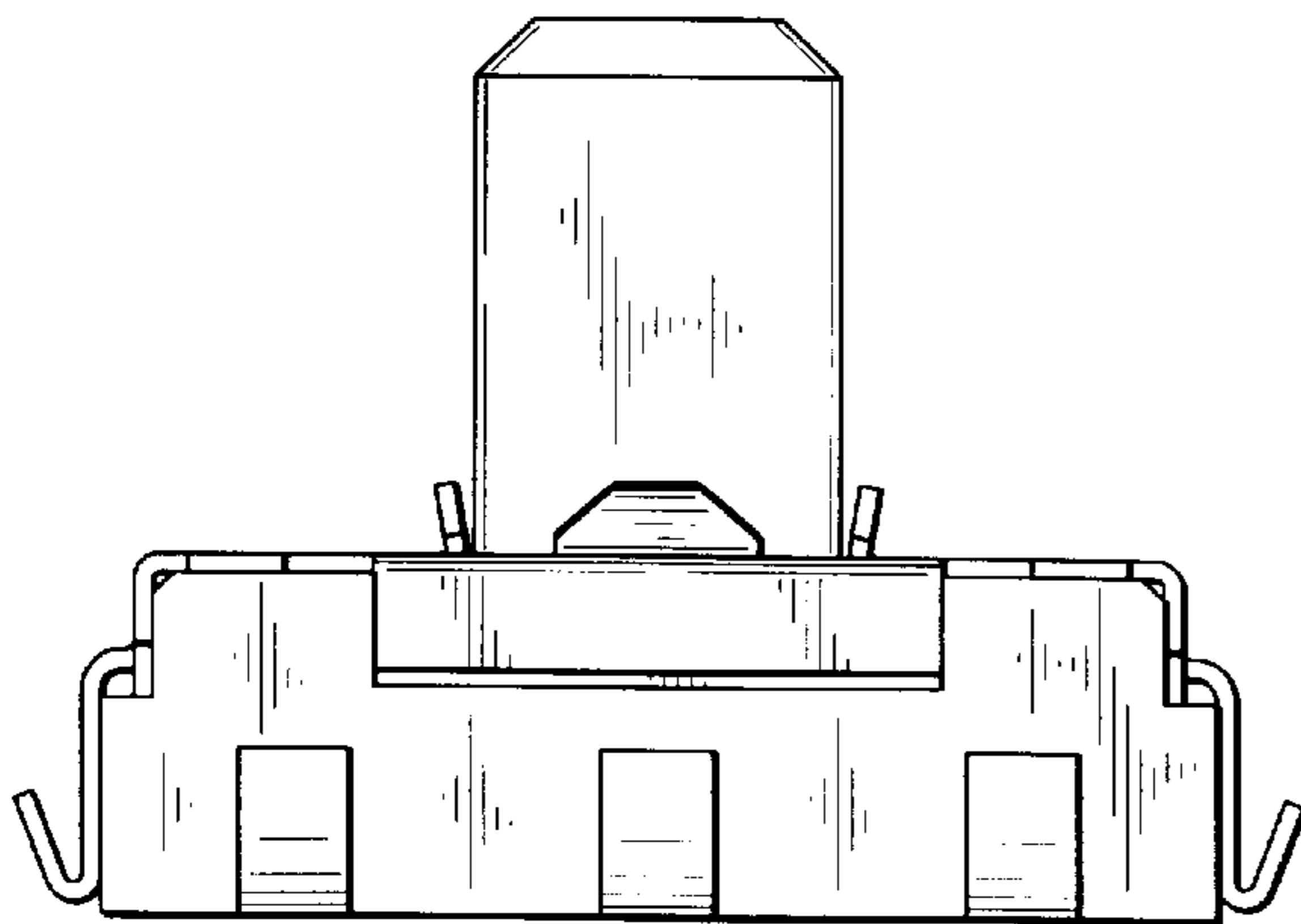
**1 Claim, 2 Drawing Sheets**



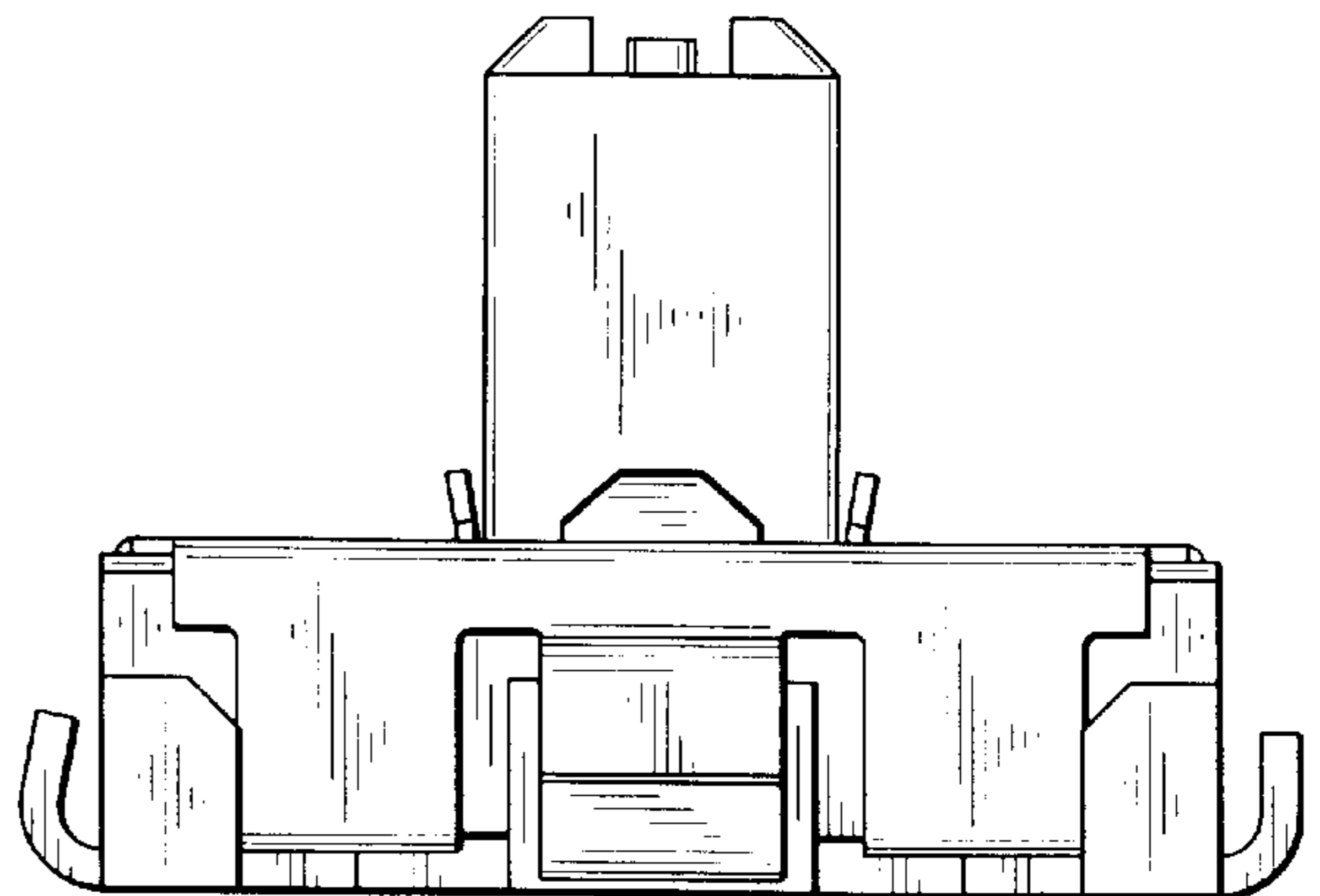
*FIG. 1*



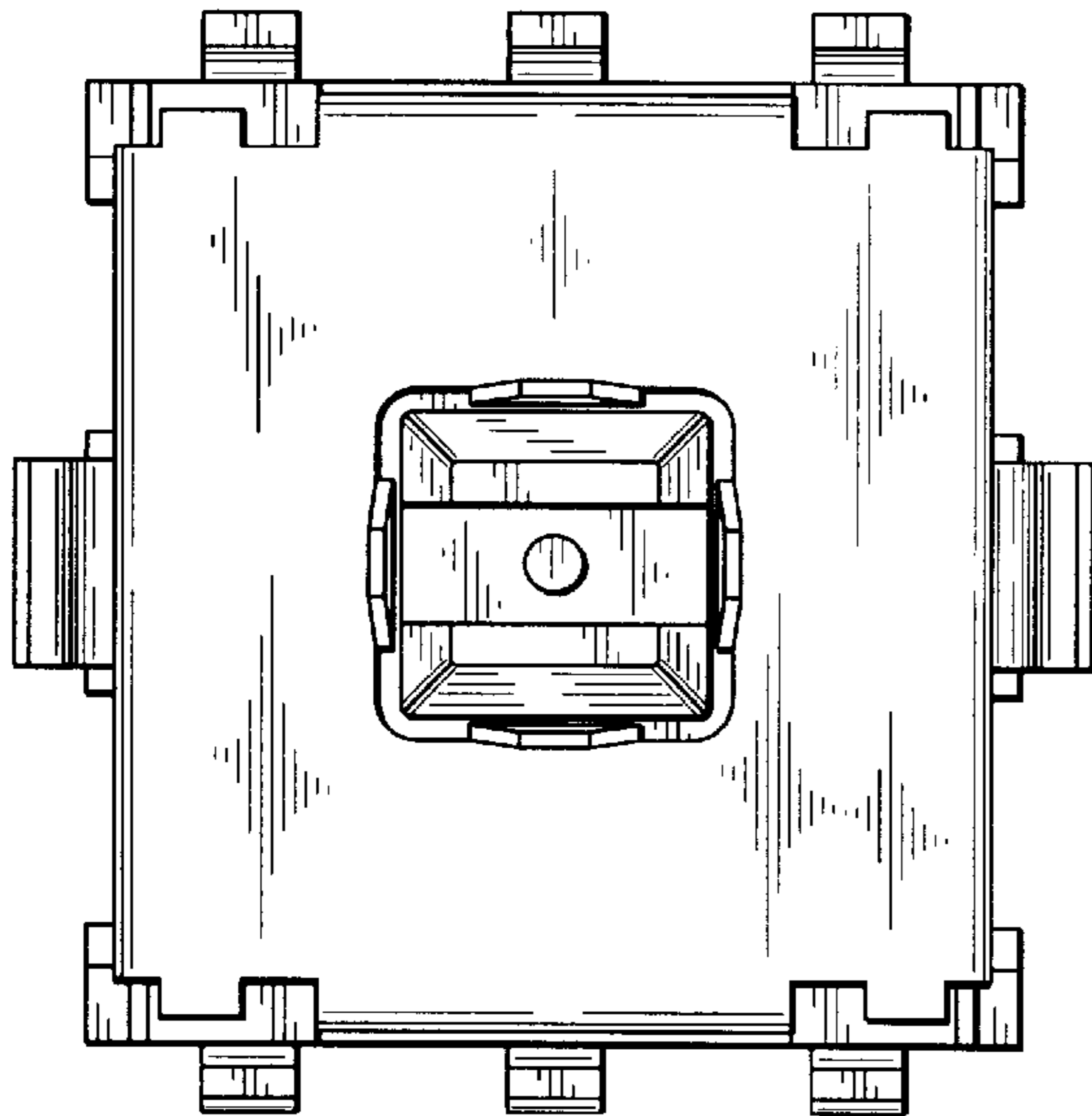
*FIG. 2*



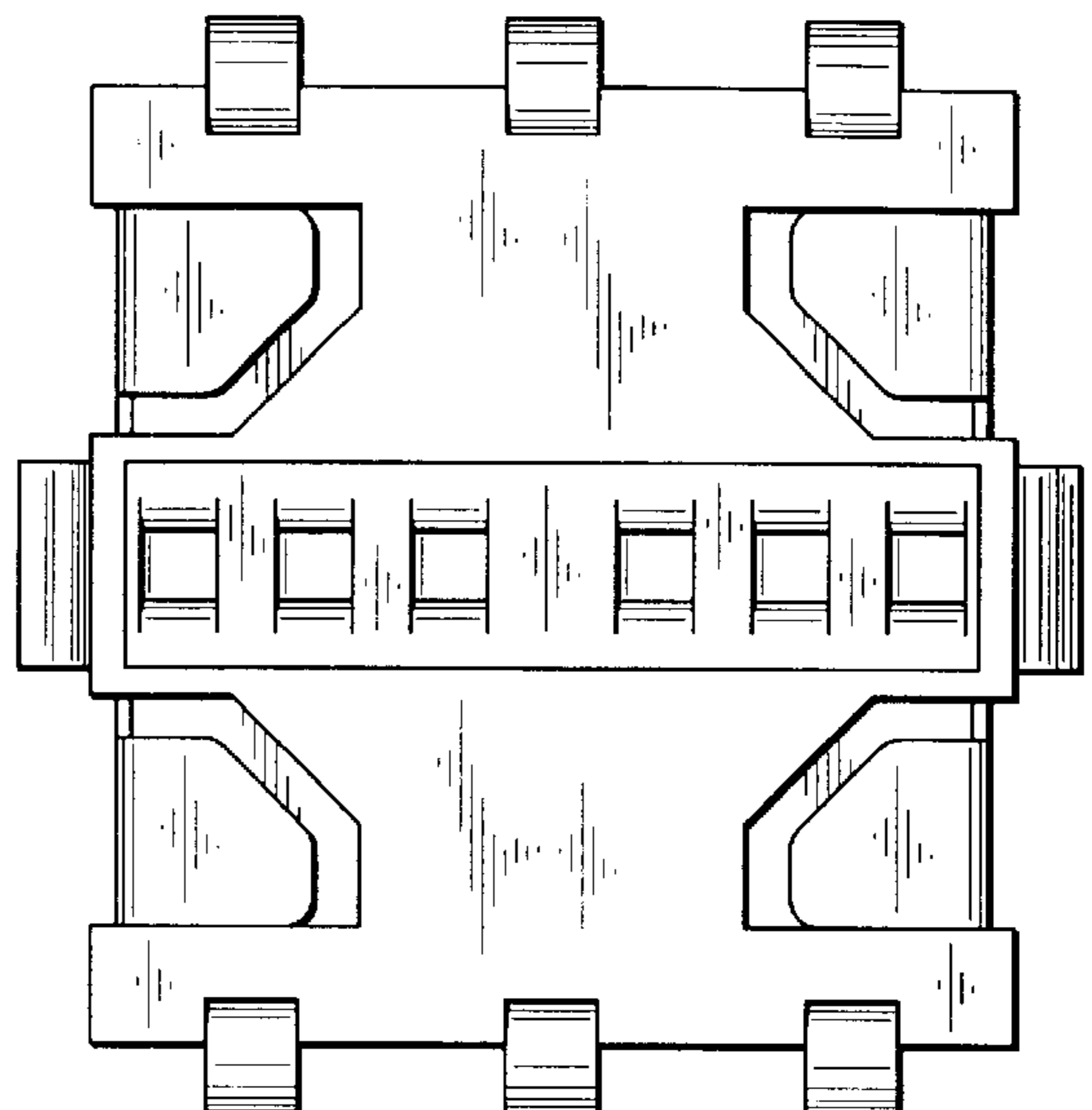
*FIG. 3*



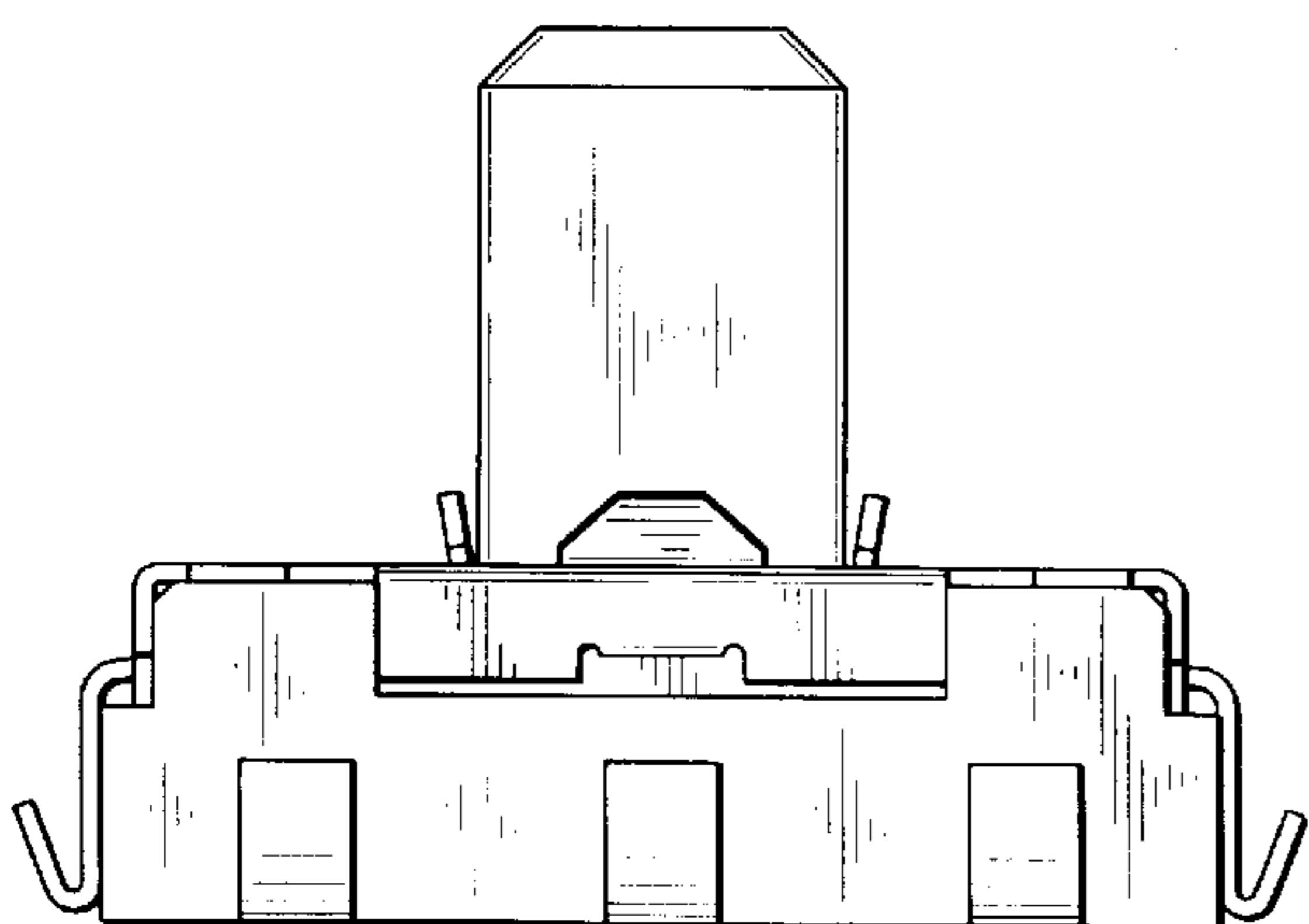
*FIG. 4*



*FIG. 5*



*FIG. 6*



*FIG. 7*

