



US00D462657S

(12) **United States Design Patent**
Kaneko

(10) **Patent No.:** **US D462,657 S**

(45) **Date of Patent:** **** Sep. 10, 2002**

(54) **COMBINED ADAPTER AND CHARGER FOR BATTERY**

Web page "DIGICAM Accessory", 4 sheets, Panasonic <http://www.panasonic.co.jp> (Jul. 2001).

(75) Inventor: **Takeaki Kaneko**, Tokyo (JP)

Web page "IXY DV", 2 sheets, Canon Corporation <http://www.canon-sales.co.jp> (Jul. 2001).

(73) Assignee: **Sony Corporation**, Tokyo (JP)

* cited by examiner

(**) Term: **14 Years**

(21) Appl. No.: **29/146,799**

Primary Examiner—Joel Sincavage
(74) *Attorney, Agent, or Firm*—Rader, Fishman & Grauer, PLLC

(22) Filed: **Aug. 17, 2001**

(51) **LOC (7) Cl.** **13-02**

(52) **U.S. Cl.** **D13/107**

(58) **Field of Search** D13/108, 107;
320/107–115

(57) **CLAIM**

The ornamental design for a combined adapter and charger for battery, as shown and described.

DESCRIPTION

(56) **References Cited**

U.S. PATENT DOCUMENTS

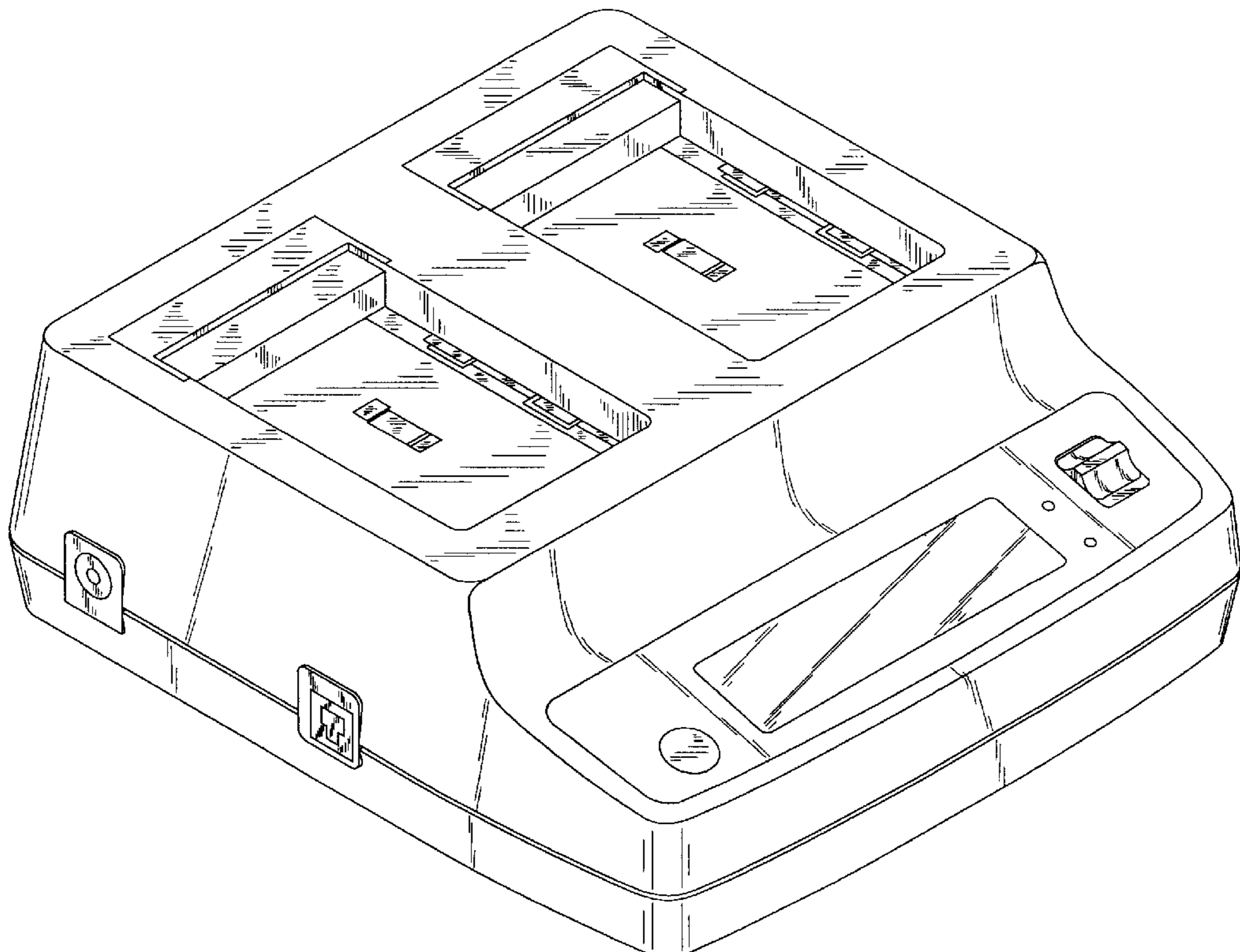
D265,899 S	*	8/1982	House, II	D13/107
D354,041 S	*	1/1995	Scheid et al.	D13/108
D408,352 S	*	4/1999	Tashiro	D13/107
D420,323 S		2/2000	Nakamura		
D427,145 S	*	6/2000	Singh et al.	D13/107
2001/0000945 A1	*	5/2001	Watson et al.	320/114

OTHER PUBLICATIONS

Gameinis Ltd GBA027 Charger—www.asia.global-sources.com—Accessed Sunday, Oct. 21, 2001.*
Accessory Catalog "72", p. 17, Sony Corporation (Apr. 2001).

FIG. 1 is a perspective view of a combined adapter and charger for battery showing my new design;
FIG. 2 is a front elevational view thereof;
FIG. 3 is a rear elevational view thereof;
FIG. 4 is a left side elevational view thereof;
FIG. 5 is a right side elevational view thereof;
FIG. 6 is a top plan view thereof; and,
FIG. 7 is a bottom plan view thereof.

1 Claim, 4 Drawing Sheets



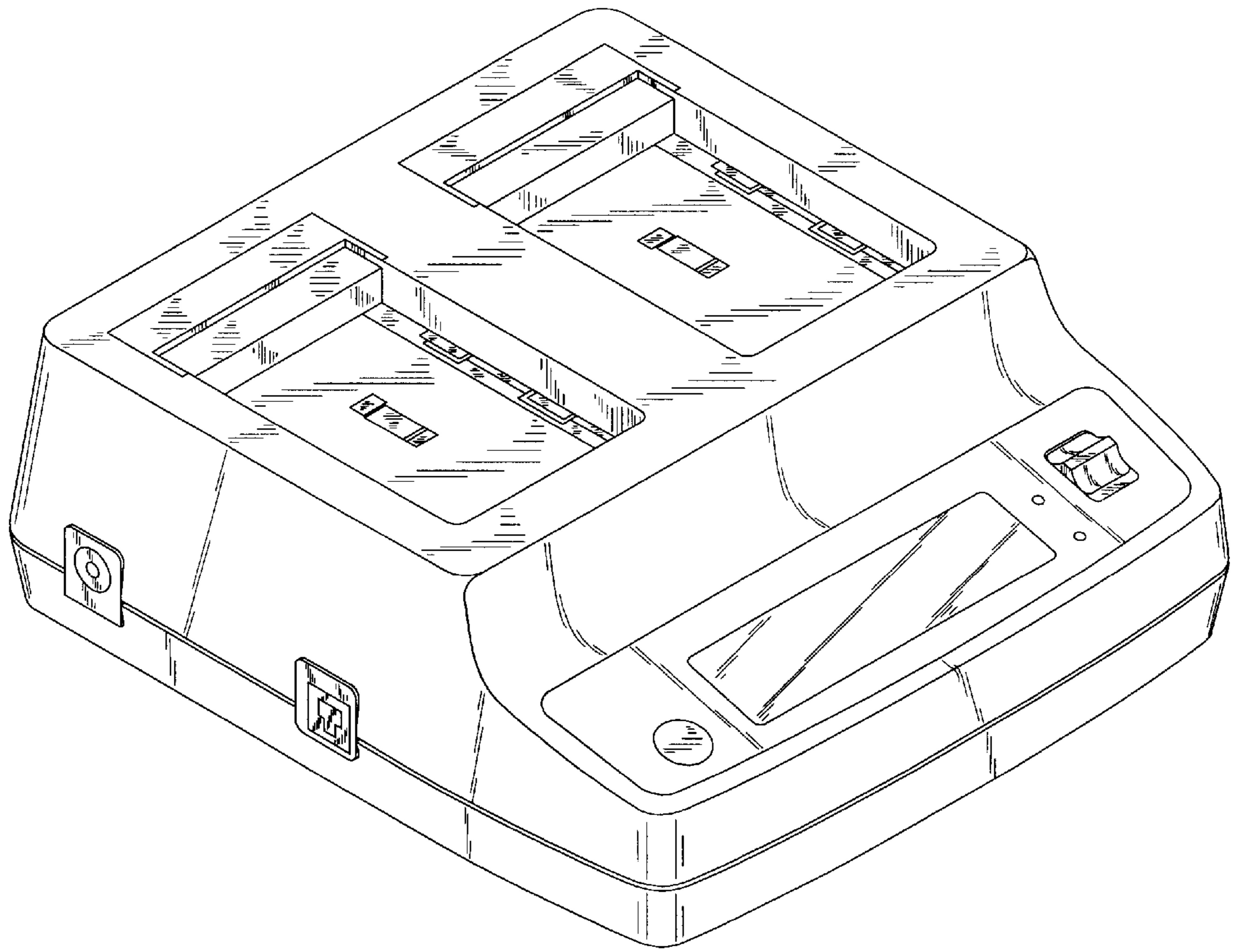


Fig. 1

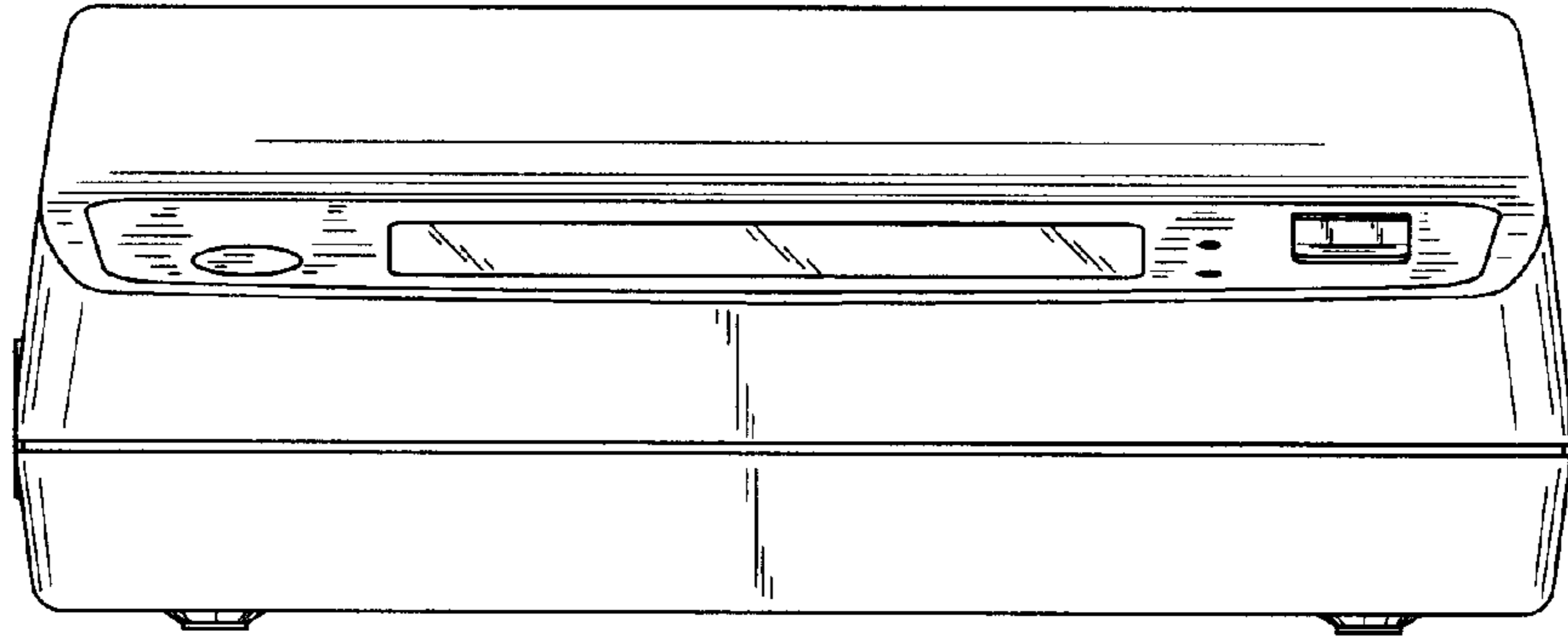


Fig. 2

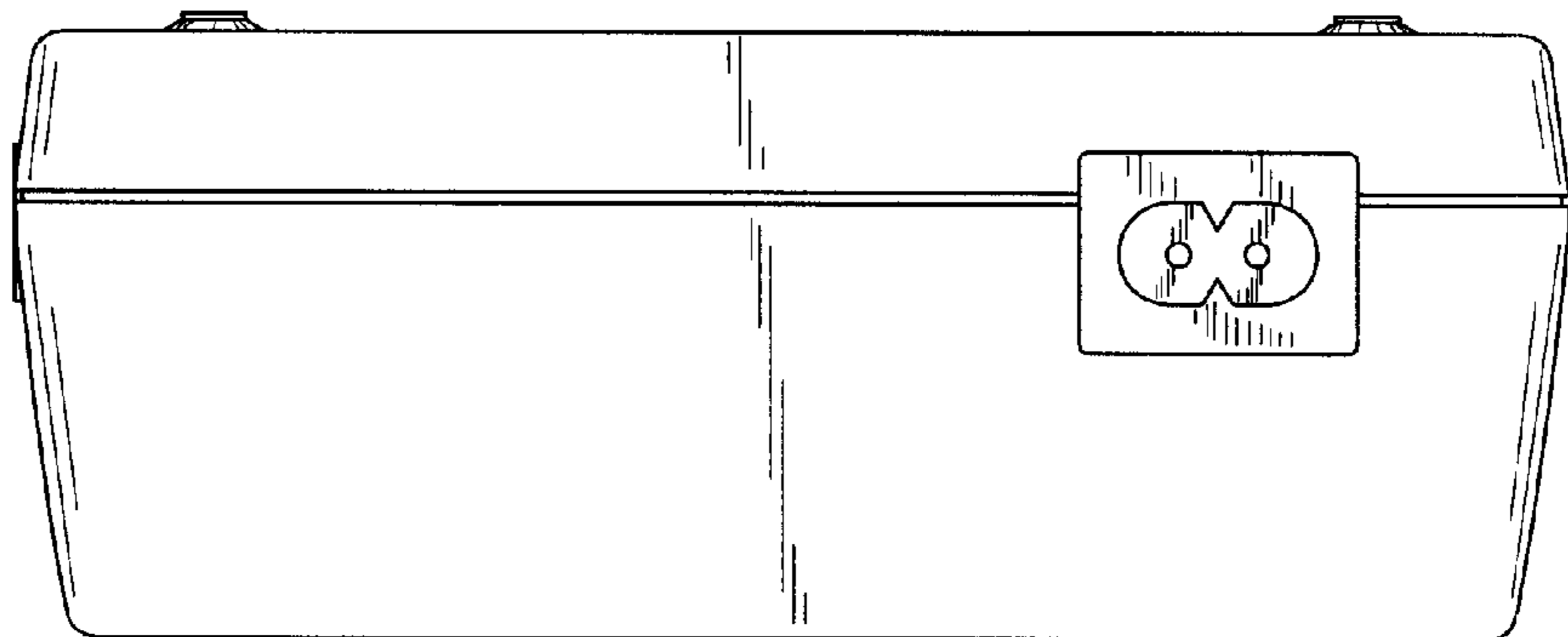


Fig. 3

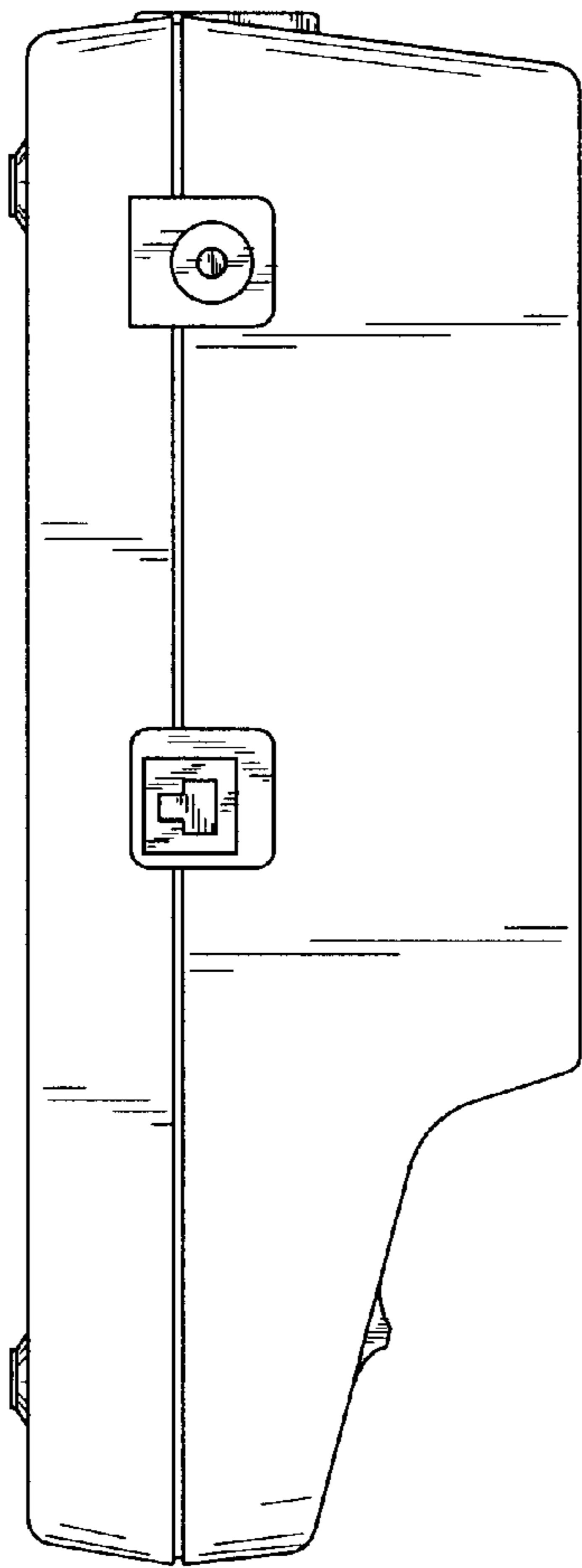


Fig. 4

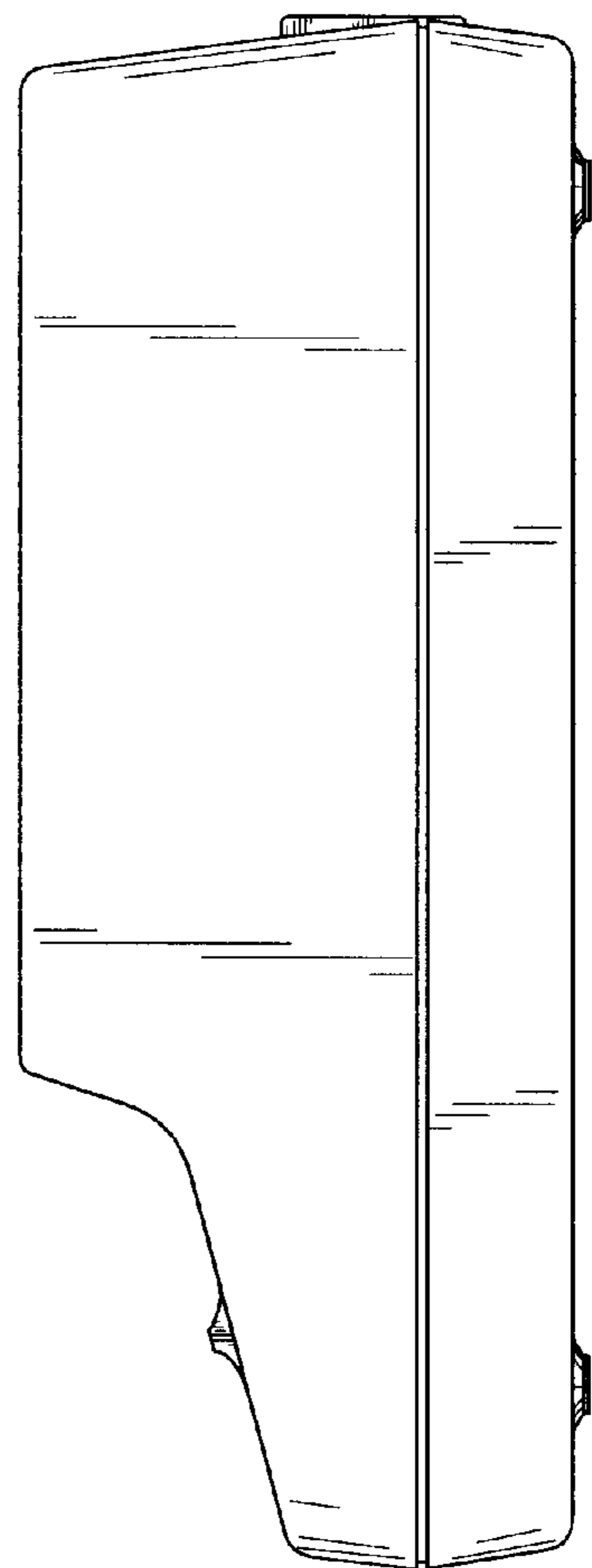


Fig. 5

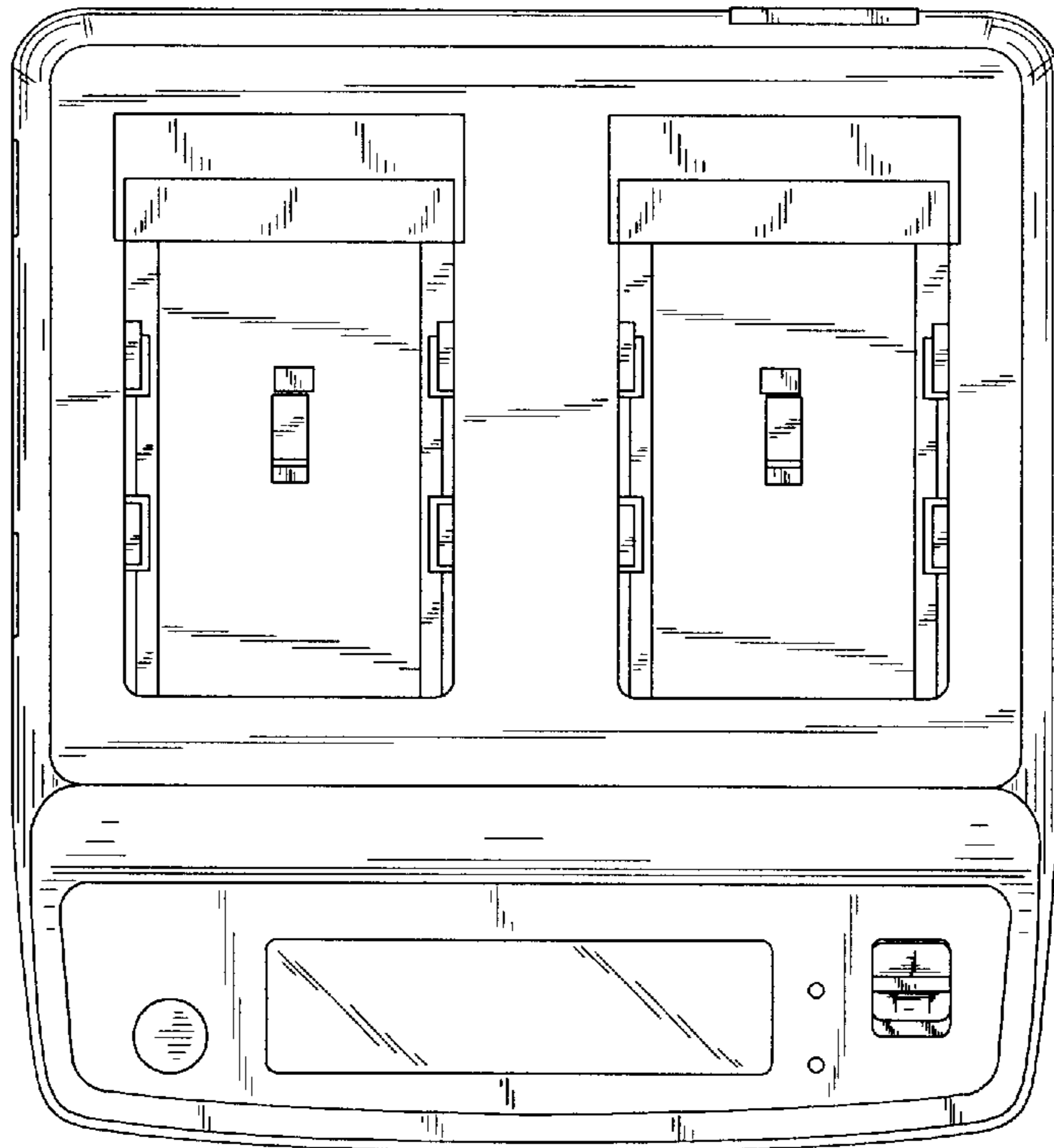


Fig. 6

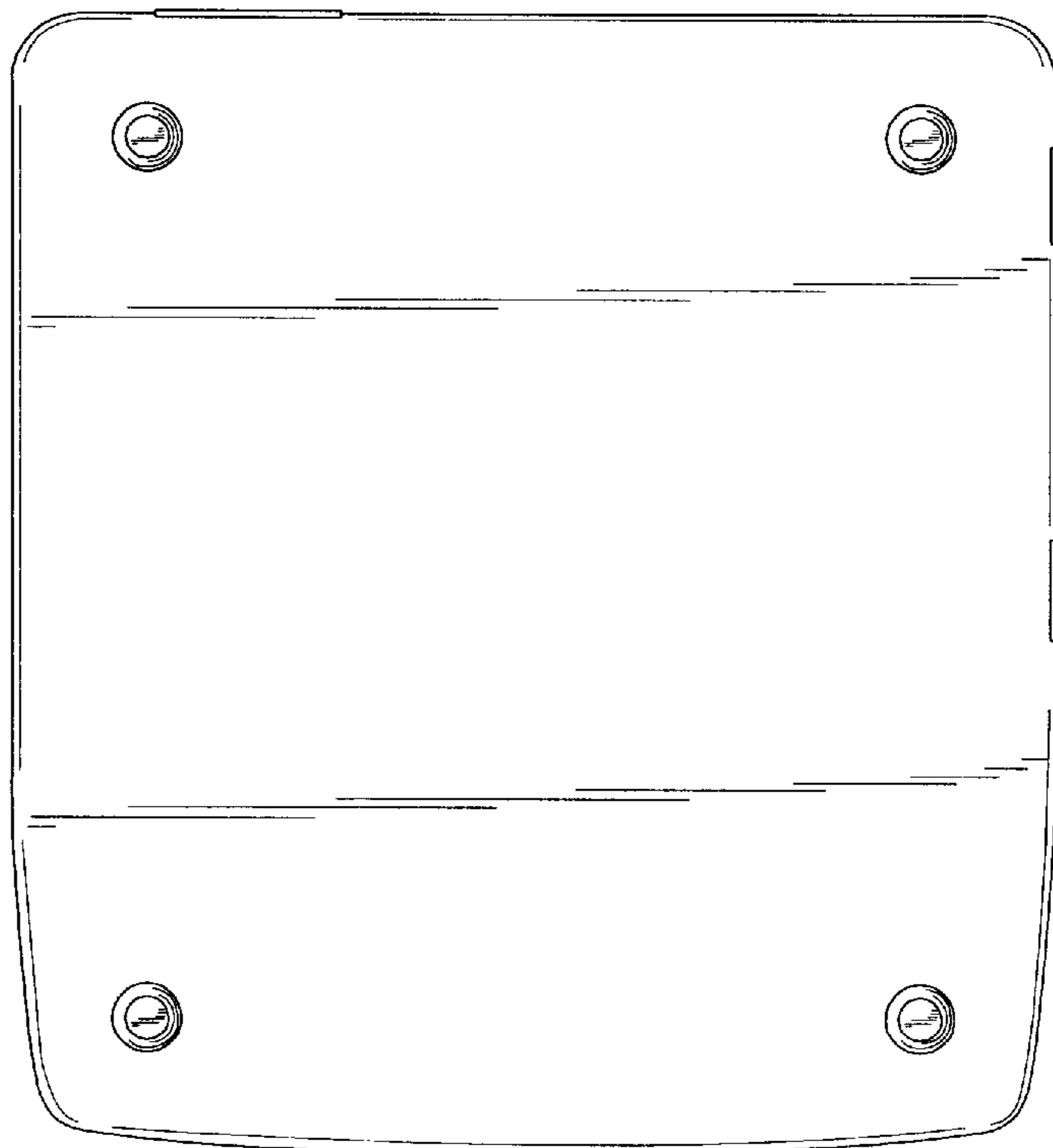


Fig. 7