



US00D462656S

(12) **United States Design Patent** (10) **Patent No.:** **US D462,656 S**
Degen et al. (45) **Date of Patent:** **** Sep. 10, 2002**

(54) **BATTERY CASE**

(75) Inventors: **Jeff J. Degen**, Bella Vista; **Stephen K. Crutcher**, Rogers, both of AR (US); **Jonathon M. Pierce**, Waukesha, WI (US); **Mark S. Inkmann**, Wauwatosa, WI (US); **Glenn W. Andersen**, Burlington, WI (US)

(73) Assignee: **Johnson Controls Technology Company**, Plymouth, MI (US)

(**) Term: **14 Years**

(21) Appl. No.: **29/130,901**

(22) Filed: **Oct. 11, 2000**

(51) **LOC (7) Cl.** **13-02**

(52) **U.S. Cl.** **D13/104**

(58) **Field of Search** D13/104, 105, D13/106; 429/176, 179, 187, 175

(56) **References Cited**

U.S. PATENT DOCUMENTS

D292,576 S	*	11/1987	Kump et al.	D13/106
D303,519 S	*	9/1989	Lopez-Doriga	D13/106
D303,652 S	*	9/1989	Lopez-Doriga	D13/106
D303,653 S	*	9/1989	Lopez-Doriga	D13/106
4,891,270 A	*	1/1990	Jergl et al.	429/175 X
5,492,779 A	*	2/1996	Ronning	429/178
D401,551 S	*	11/1998	Kim	D13/106
6,022,638 A	*	2/2000	Horton et al.	429/187
6,153,331 A	*	11/2000	Brantley et al.	429/187
6,183,903 B1	*	2/2001	Campbell et al.	429/176
6,303,247 B1	*	10/2001	Griffey et al.	429/187 X

* cited by examiner

Primary Examiner—Joel Sincavage

(74) *Attorney, Agent, or Firm*—Foley & Lardner

(57) **CLAIM**

The ornamental design for a battery case, as shown and described.

DESCRIPTION

FIG. 1 is a front perspective view of battery case, according to a first embodiment;

FIG. 2 is a front elevational view thereof;

FIG. 3 is a left side elevational view thereof, the right side elevational view being a mirror image of the left side elevational view shown;

FIG. 4 is a rear elevational view thereof;

FIG. 5 is a top plan view thereof;

FIG. 6 is a bottom plan view thereof;

FIG. 7 is a front perspective view of a second embodiment of the battery case, identical to the first embodiment in left view, right view, rear view, top view and bottom view;

FIG. 8 is a front elevational view of the second embodiment of the battery case;

FIG. 9 is a front perspective view of a third embodiment of the battery case;

FIG. 10 is a front elevational view of the third embodiment of the battery case;

FIG. 11 is a right side elevational view of the third embodiment of the battery case, the left side elevational view being a mirror image of the right side elevational view shown;

FIG. 12 is a rear elevational view of the third embodiment of the battery case;

FIG. 13 is a top plan view of the third embodiment of the battery case;

FIG. 14 is a bottom plan view of the third embodiment of the battery case;

FIG. 15 is a front perspective view of a fourth embodiment of the battery case, identical to the third embodiment in left view, right view, rear view, top view and bottom view; and,

FIG. 16 is a front elevational view of the fourth embodiment of the battery case.

The broken line disclosure is for illustrative purposes only and forms no part of the claimed design. The broken line disclosure of a display shown in the first and third embodiments is for illustrative purposes only and forms no part of the second and fourth embodiments.

The broken line representation of a display panel in FIGS. 1, 2, 9 and 10 forms no part of the first and third embodiments.

1 Claim, 8 Drawing Sheets

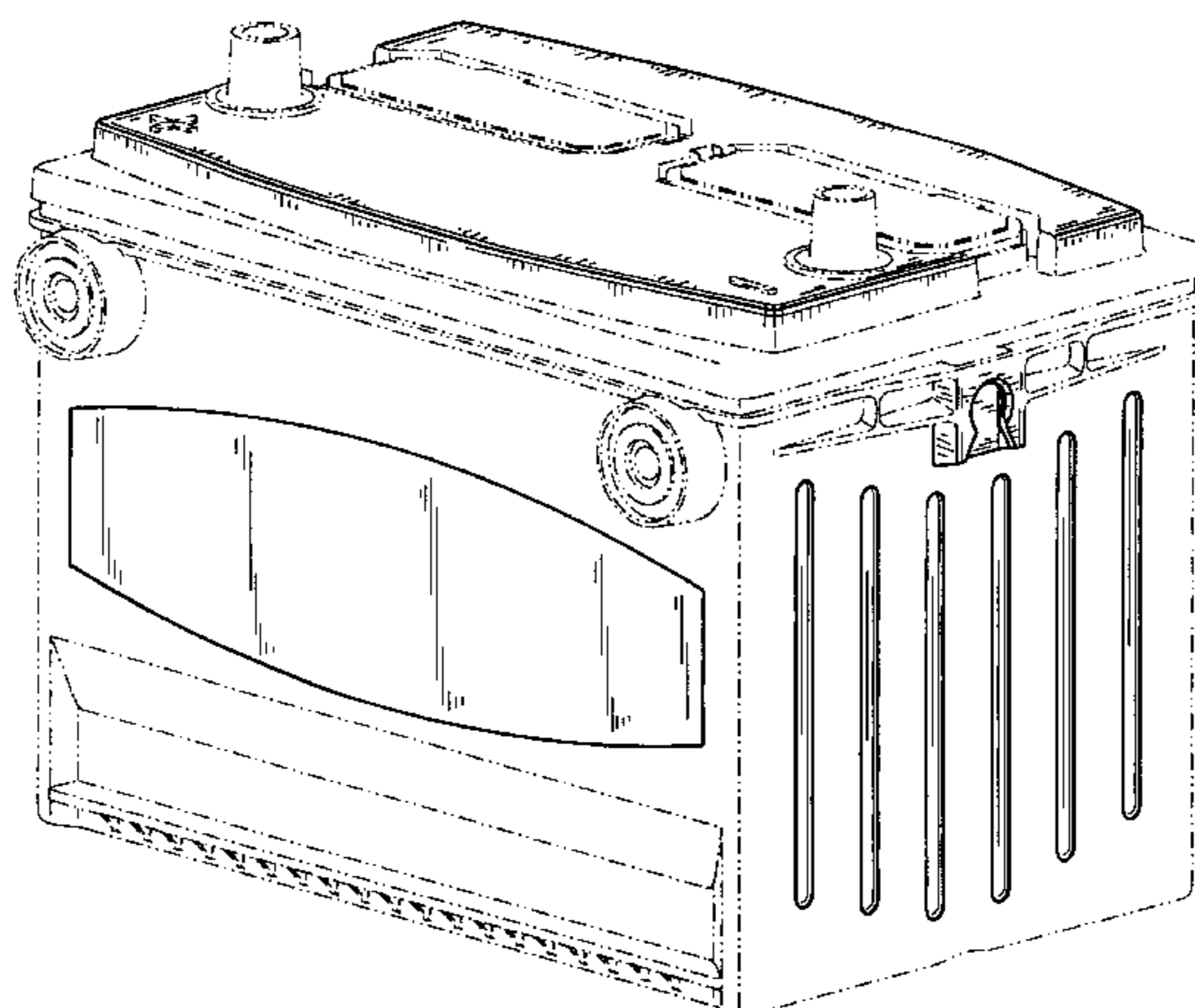


FIG. 1

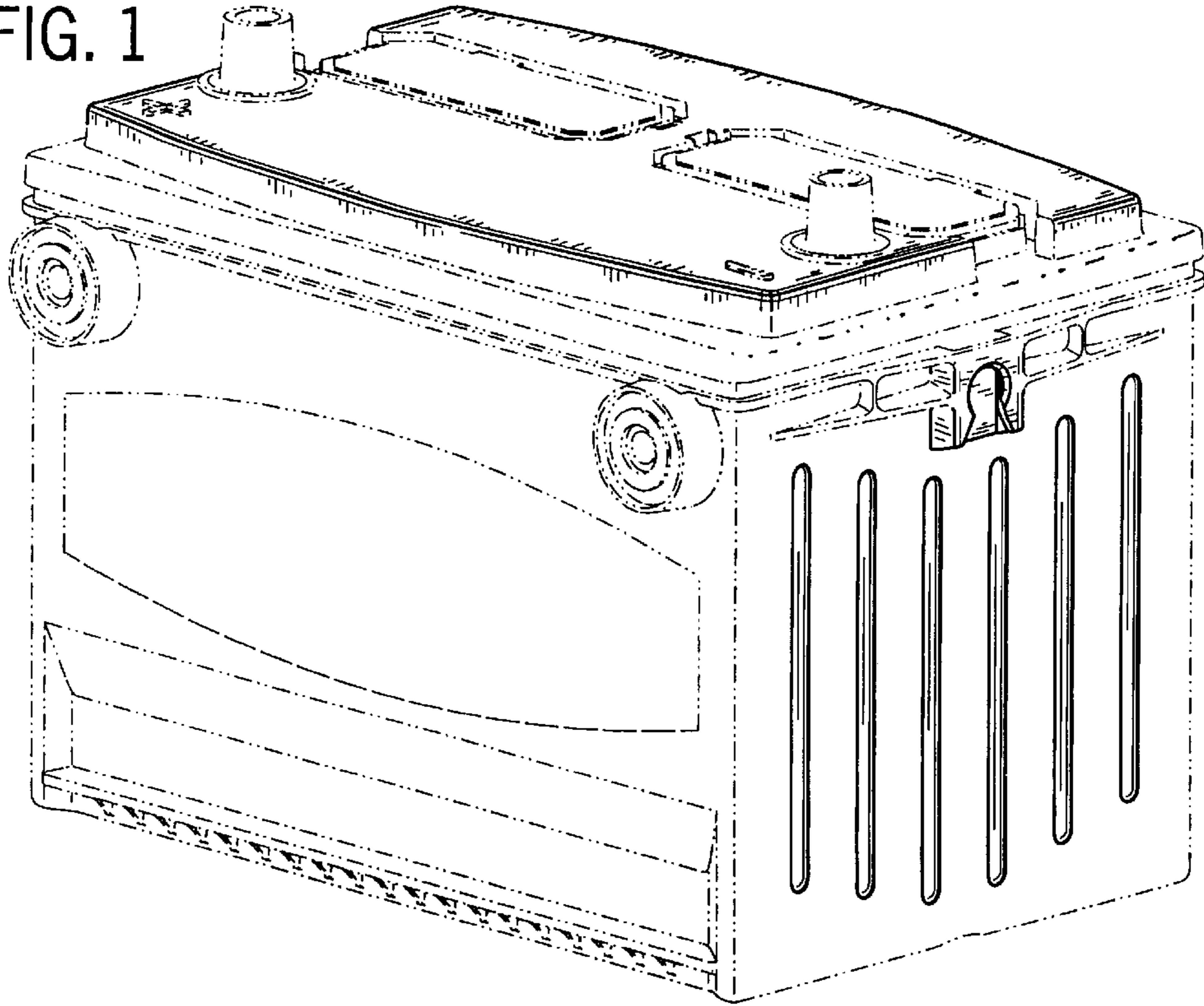


FIG. 2

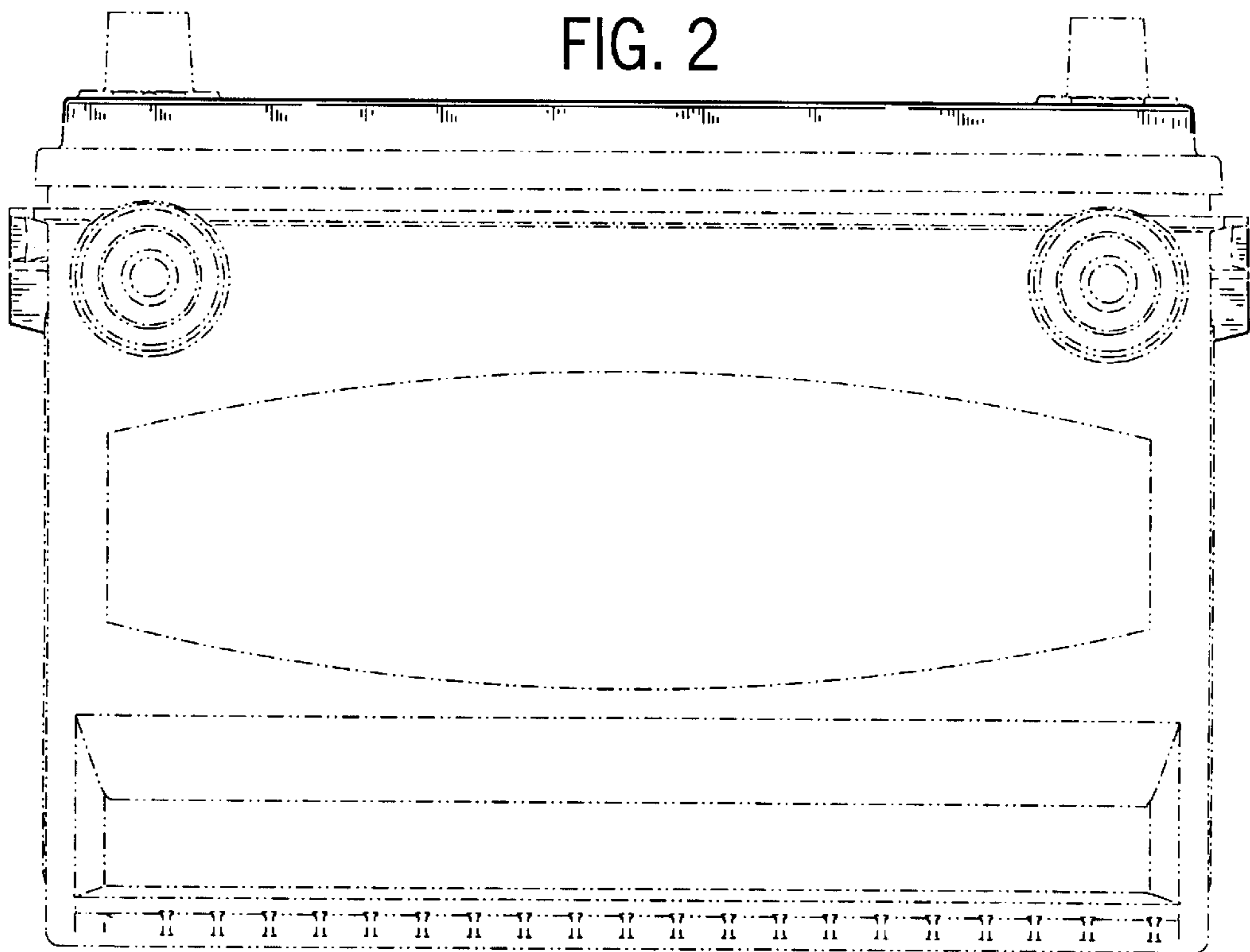


FIG. 3

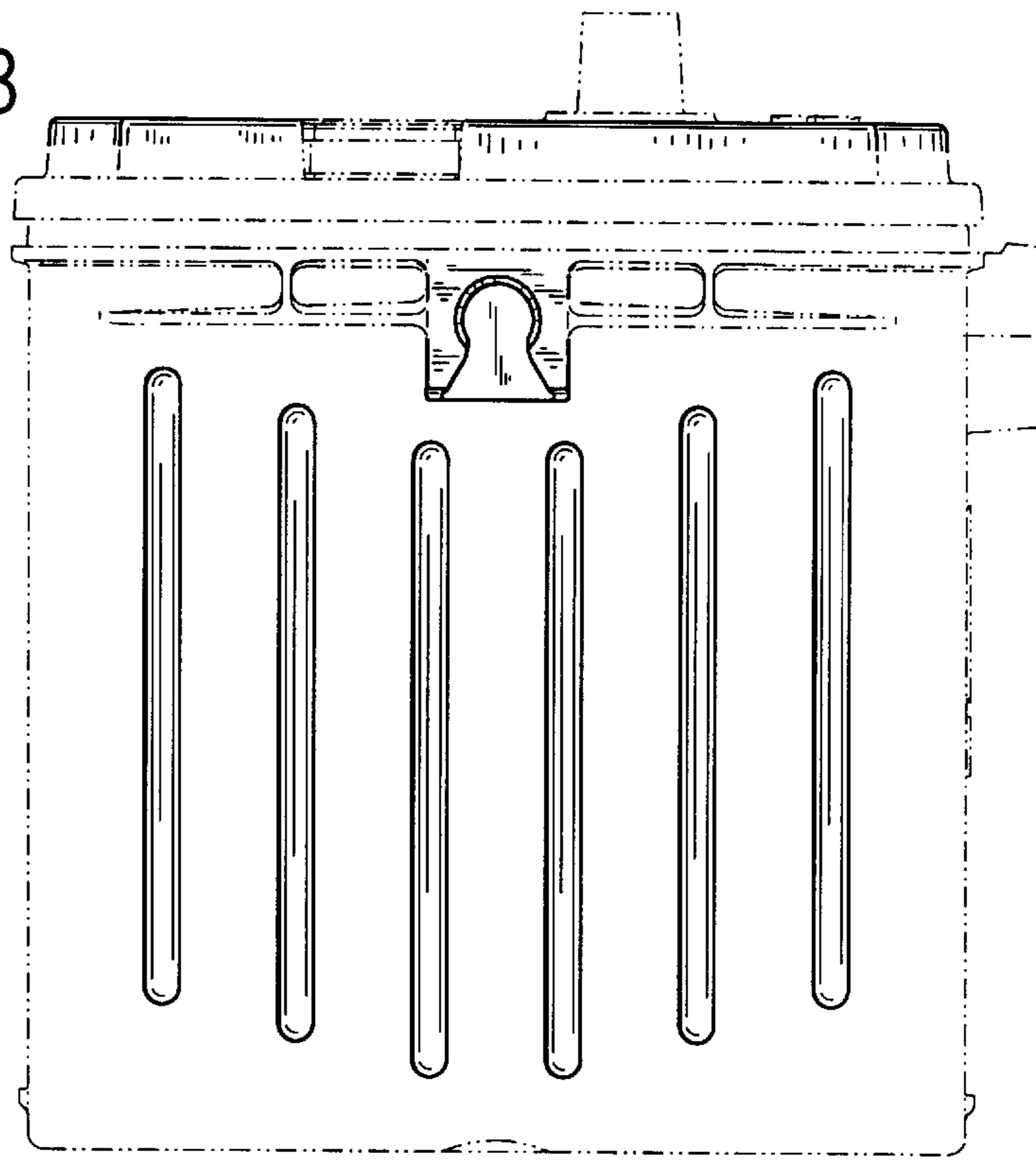
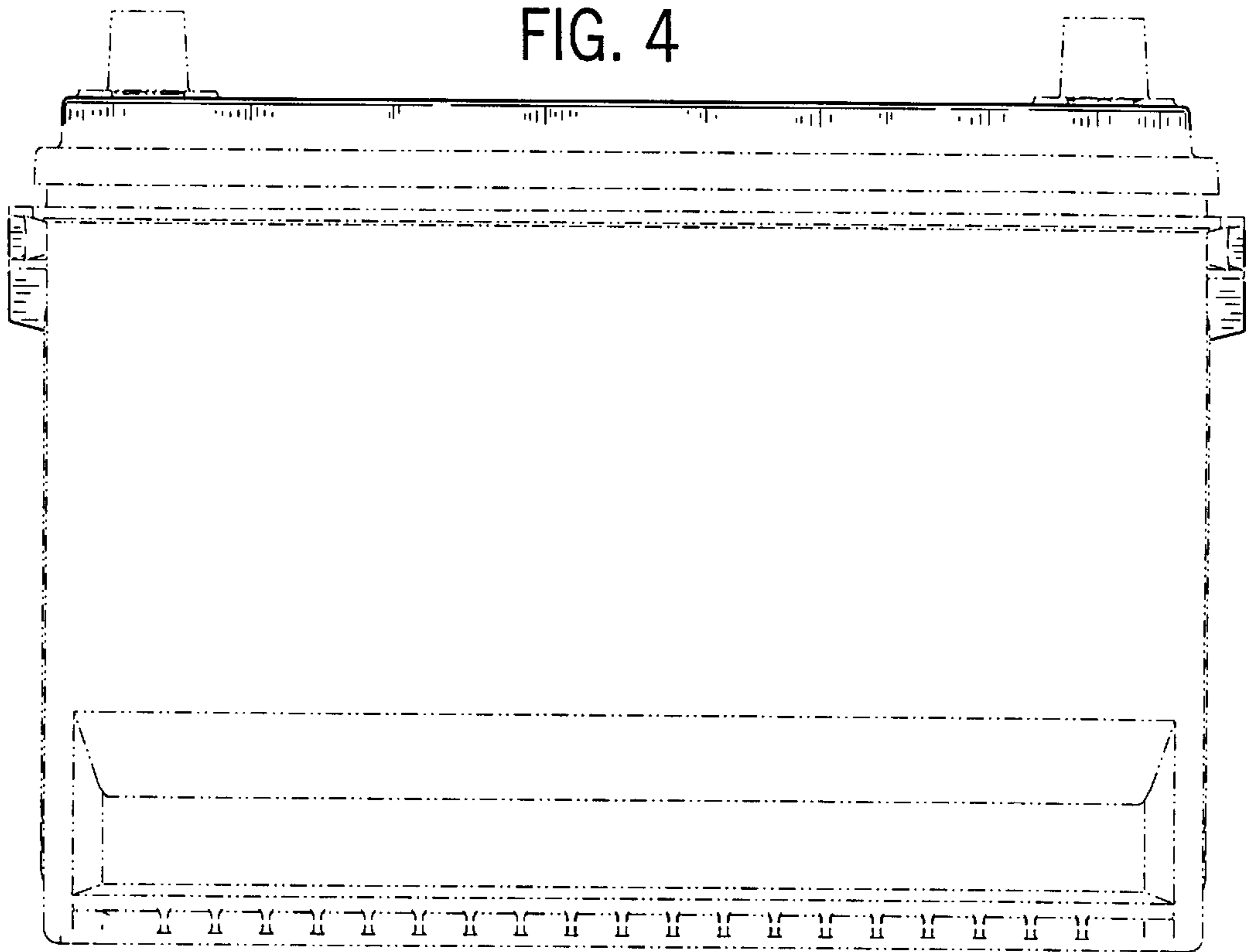


FIG. 4



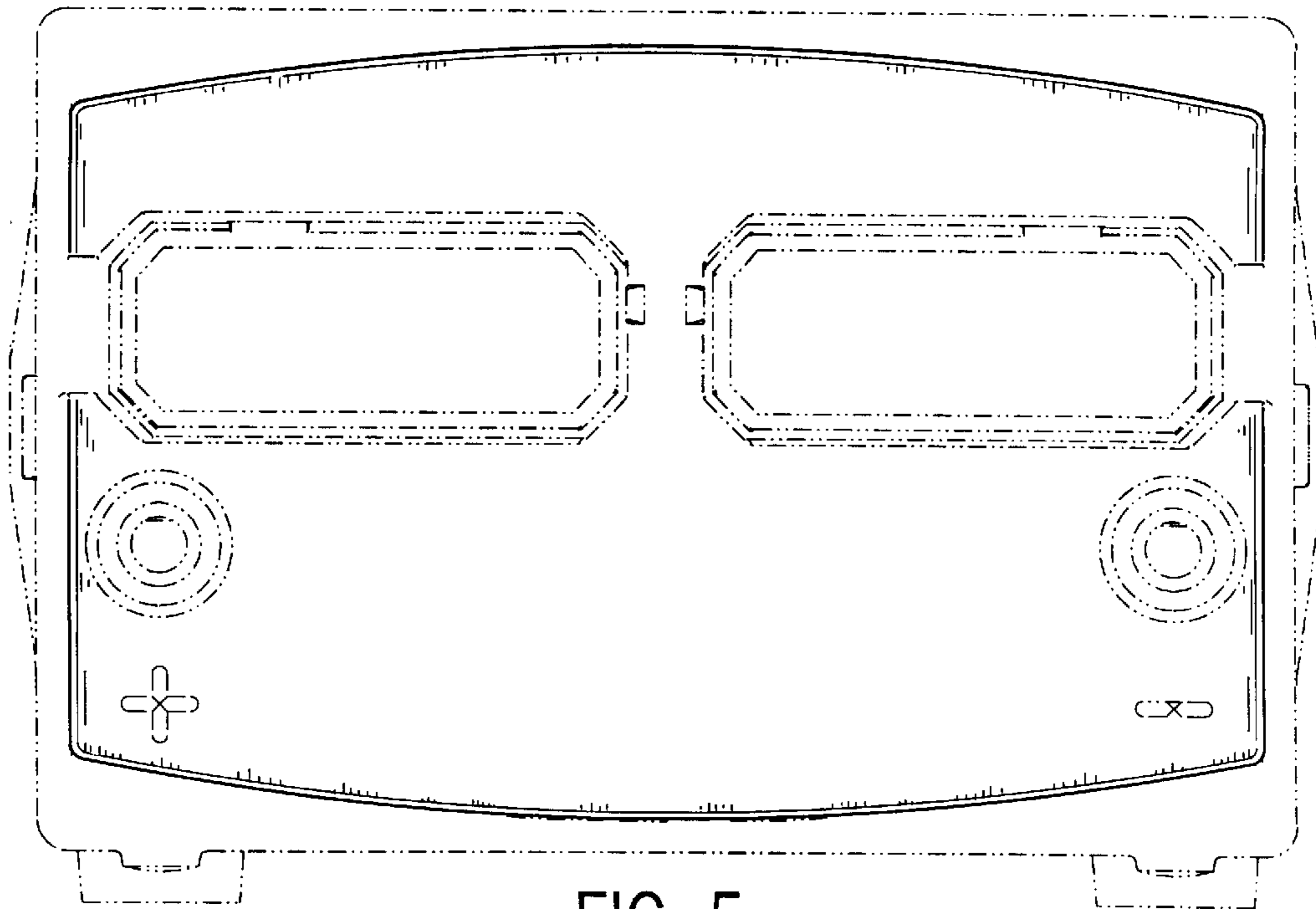


FIG. 5

FIG. 6

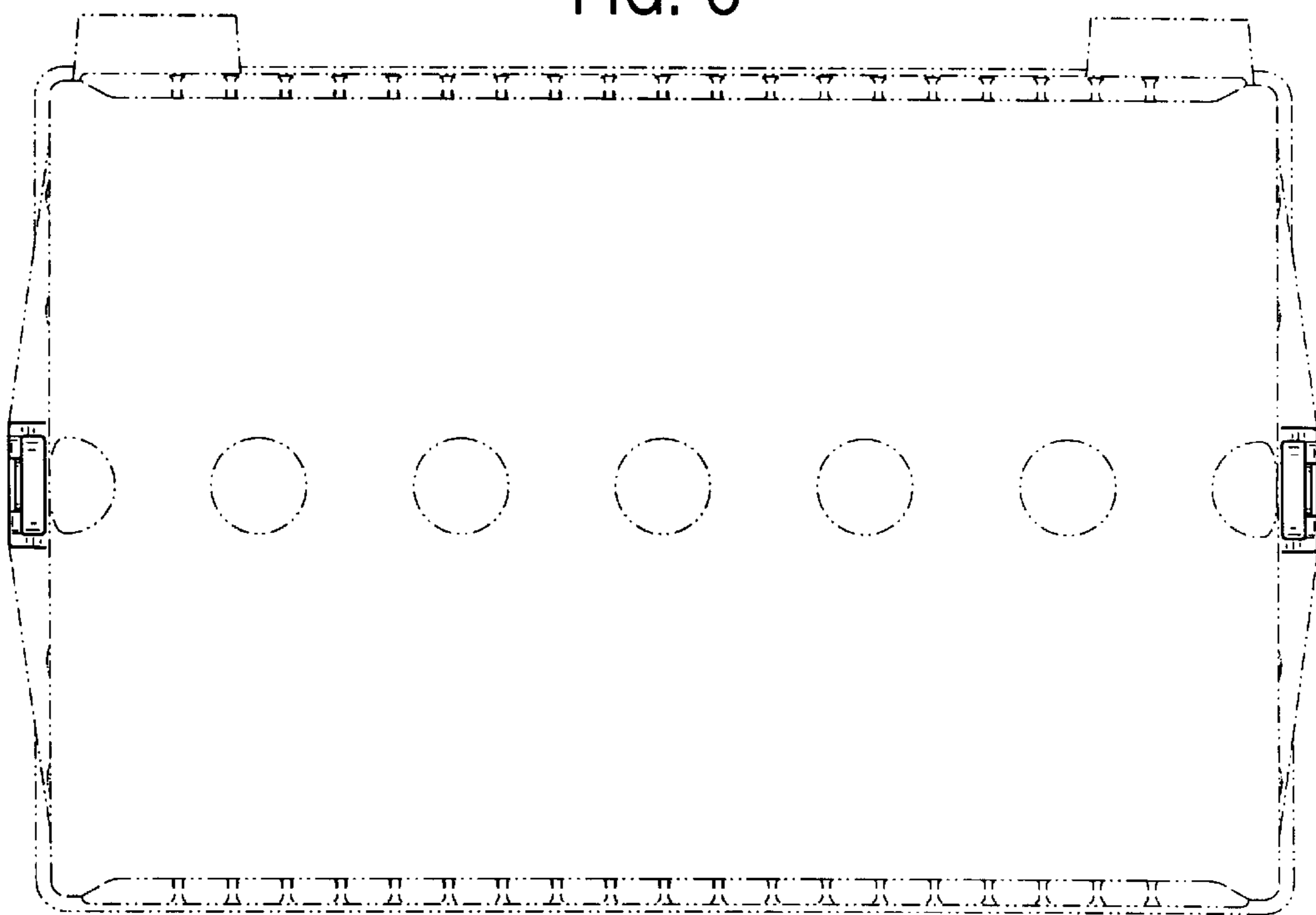


FIG. 7

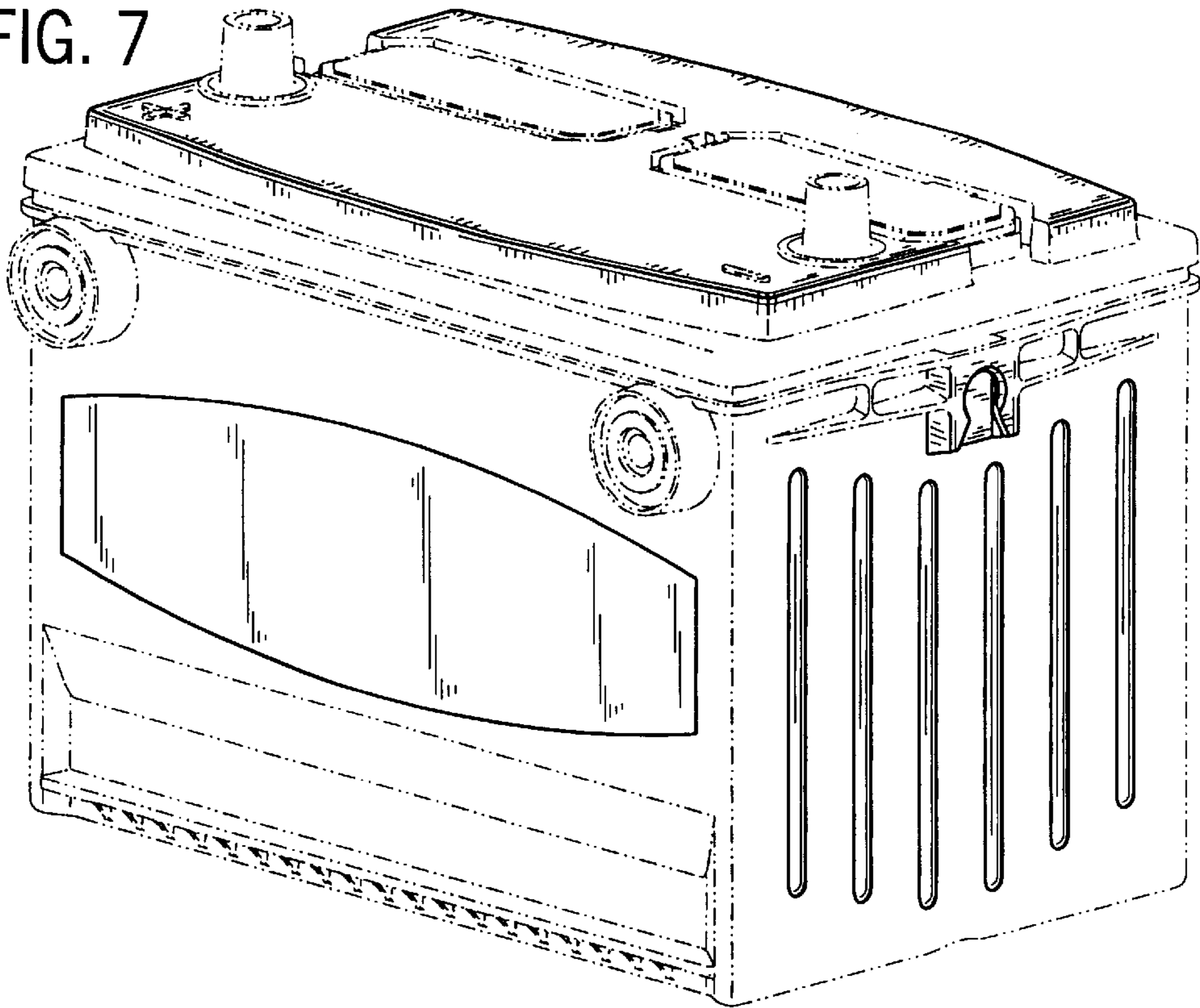


FIG. 8

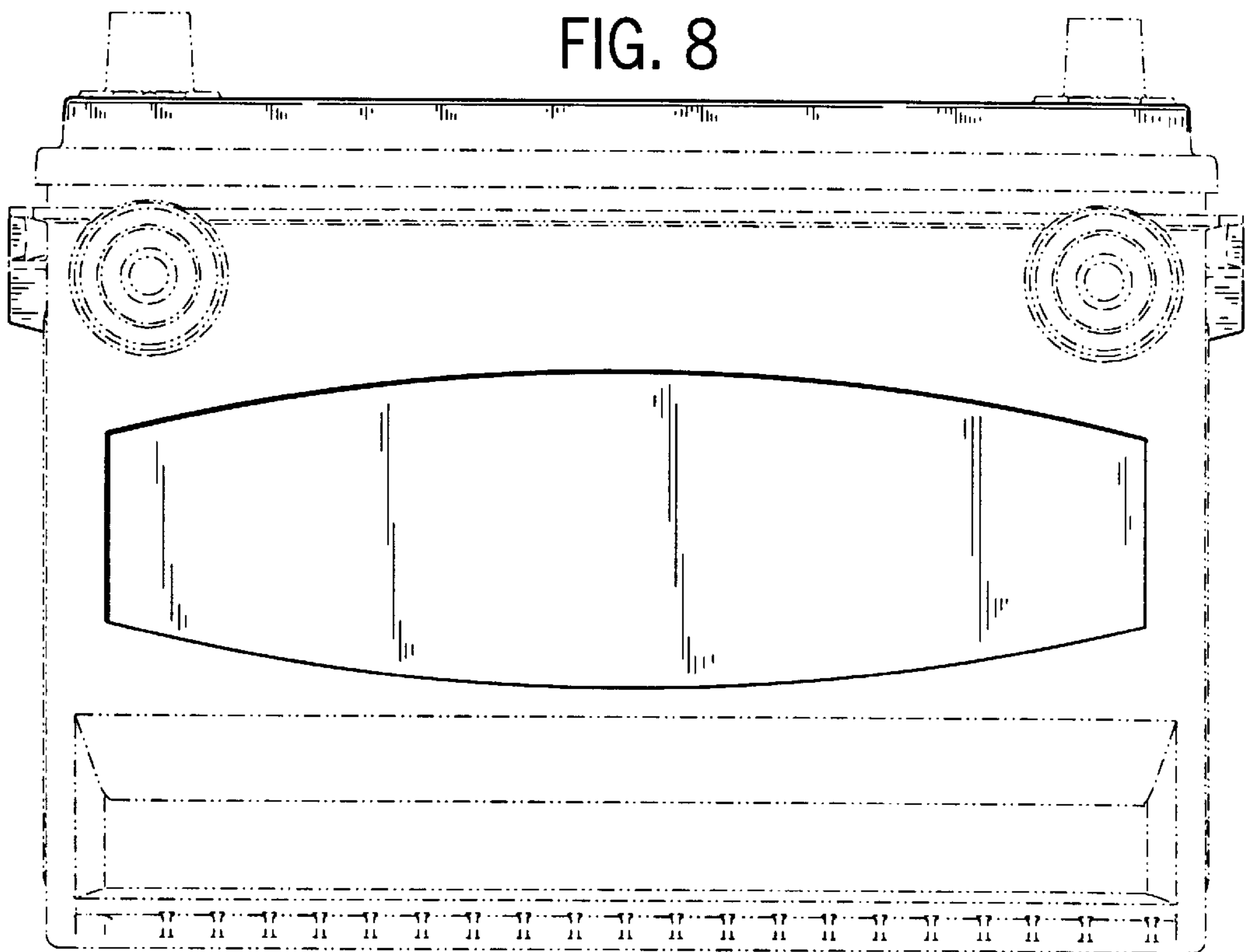


FIG. 9

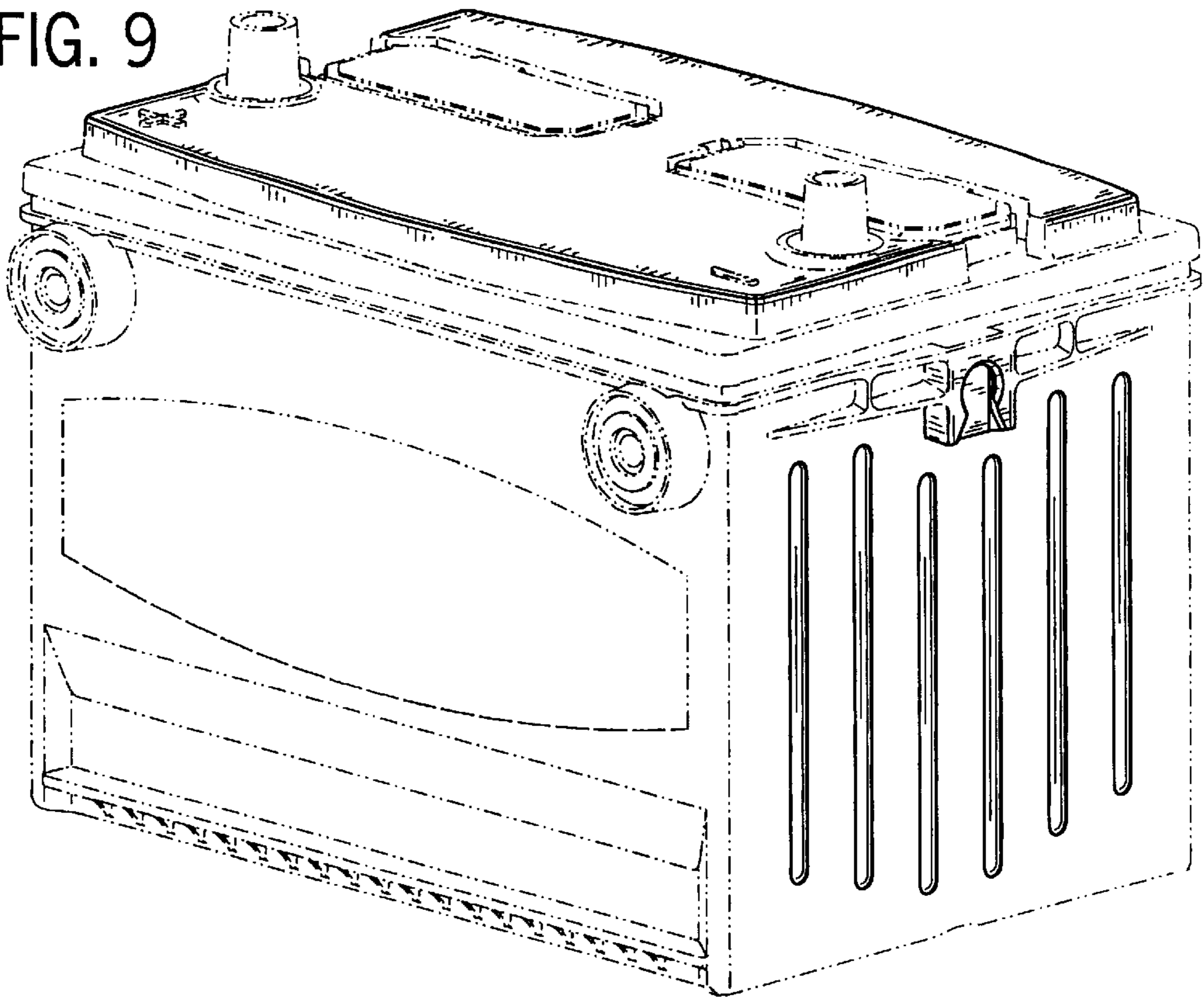


FIG. 10

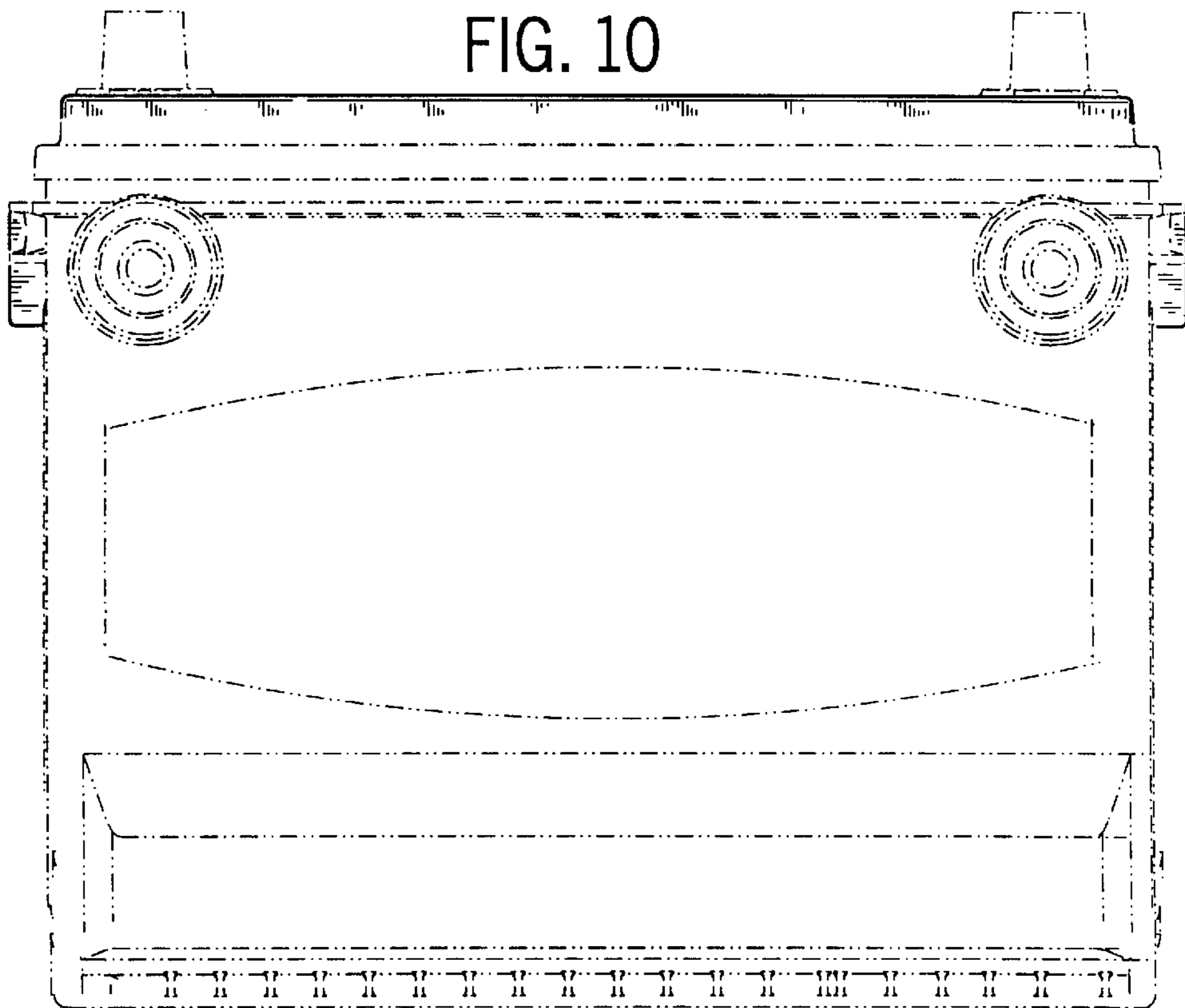


FIG. 11

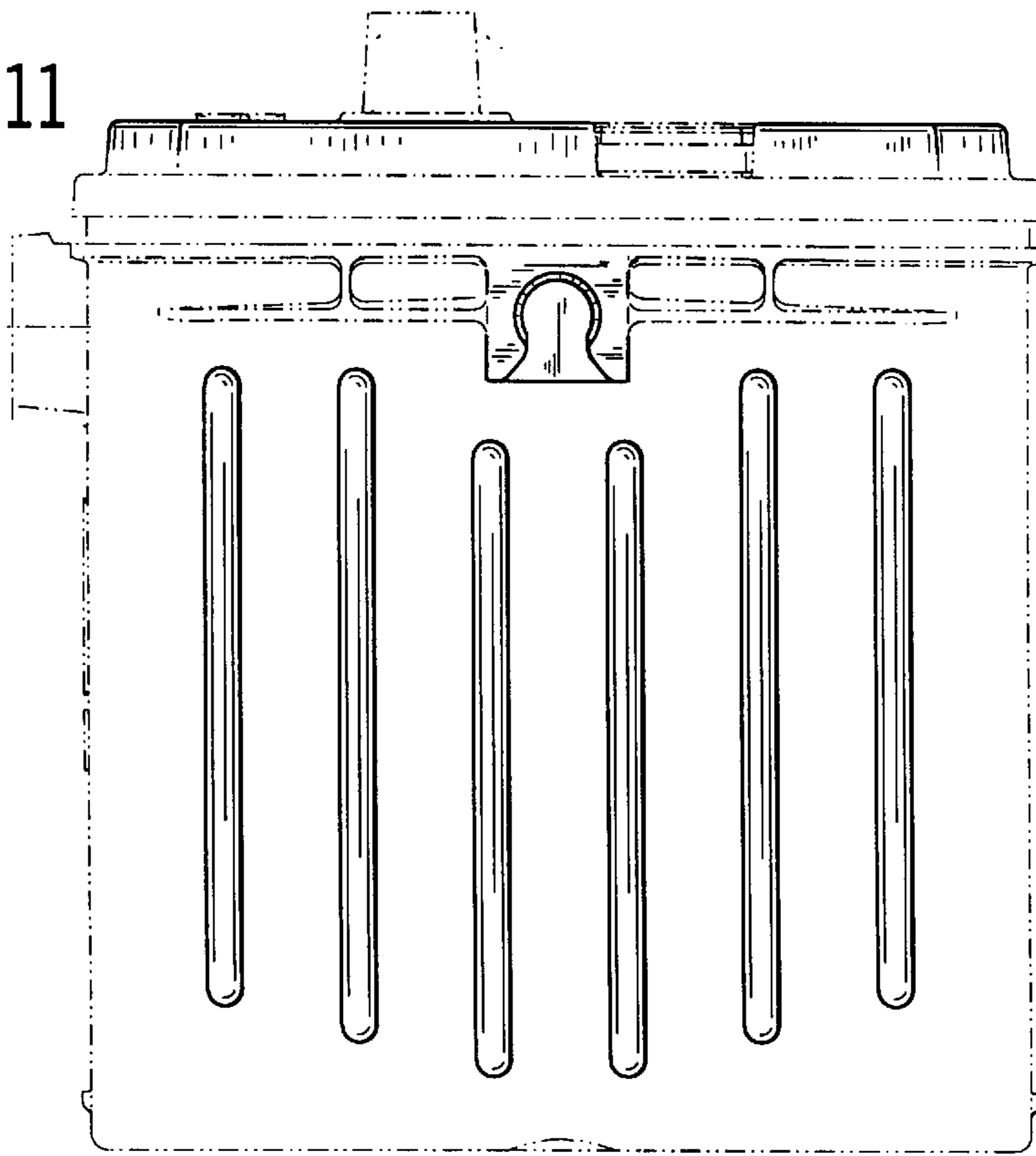


FIG. 12

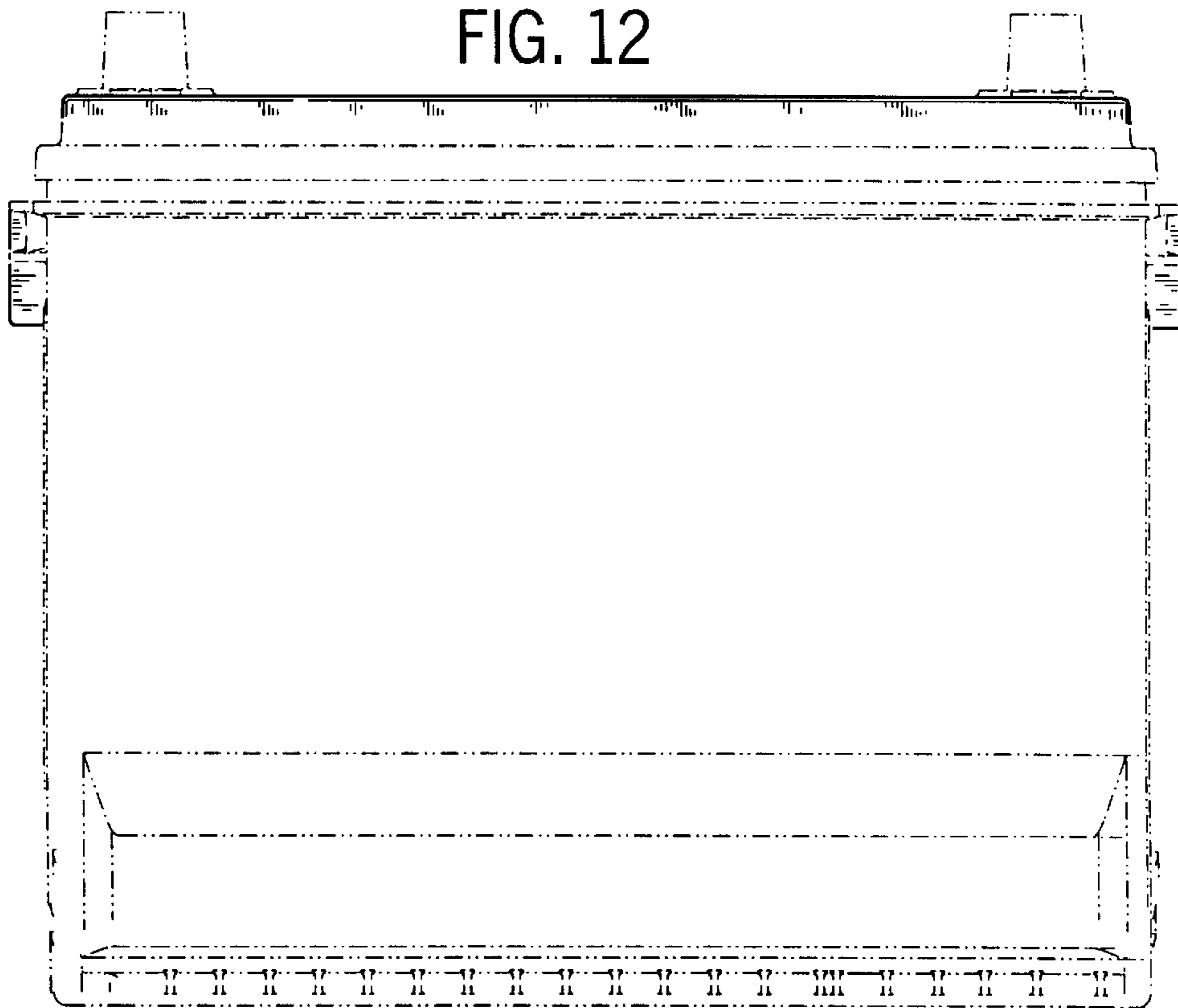


FIG. 13

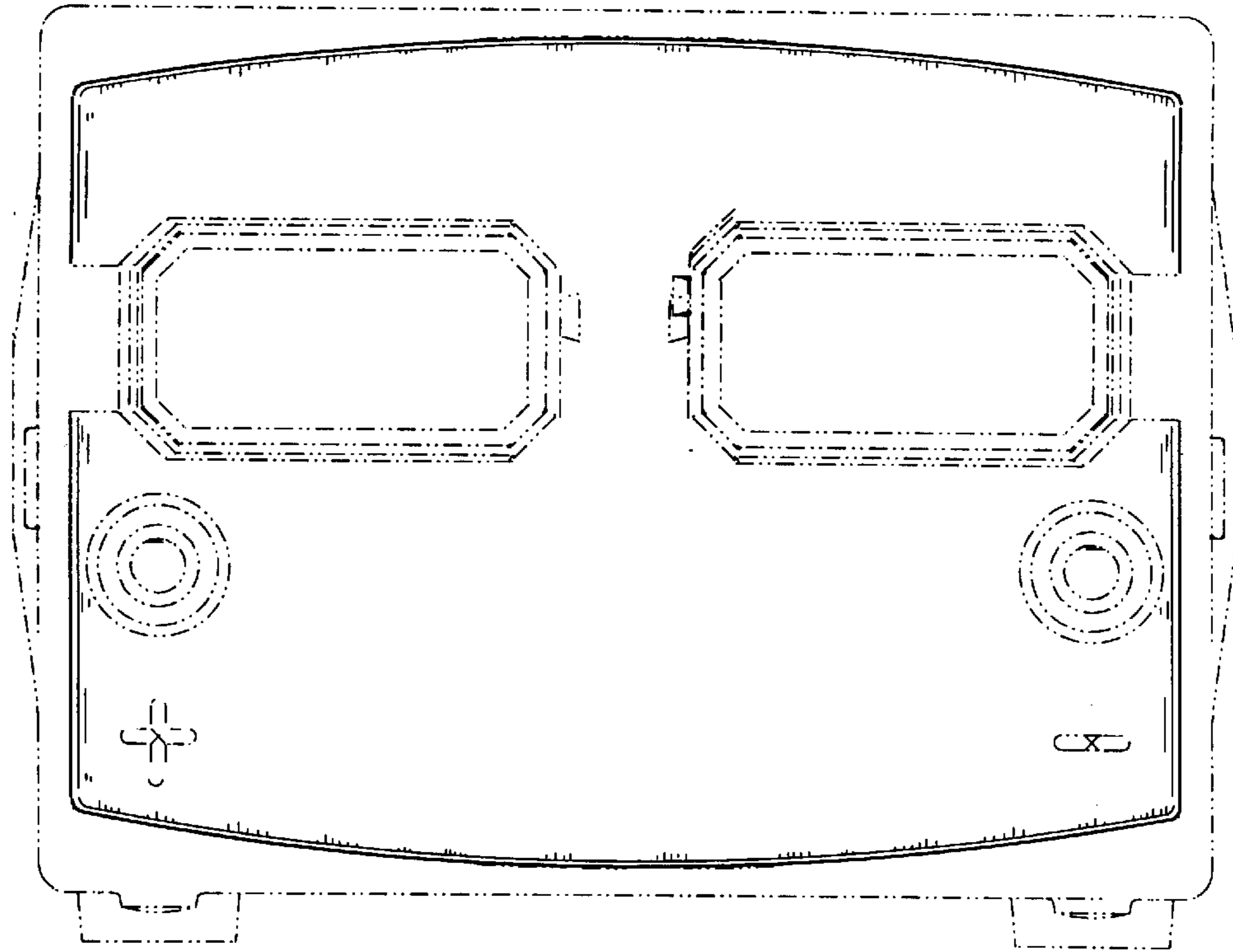


FIG. 14

