



US00D462646S

(12) **United States Design Patent**  
**McCoy et al.**

(10) **Patent No.:** **US D462,646 S**

(45) **Date of Patent:** **\*\* Sep. 10, 2002**

(54) **HITCH MOUNTABLE ENCLOSED CARGO CARRIER**

(76) Inventors: **Richard W. McCoy**, 51159 Deerpath Dr., Granger, IN (US) 46530; **Jason R. Moldthan**, 11032 Gordon Setter Dr., Osceola, IN (US) 46561; **Katherine A. Adams**, 5808-3A Iroquois La., Mishawaka, IN (US) 46545; **George O. Snook**, 304 S. Twyckenham Dr., South Bend, IN (US) 46615

(\*\*) Term: **14 Years**

(21) Appl. No.: **29/131,942**

(22) Filed: **Oct. 30, 2000**

(51) **LOC (7) Cl.** ..... **12-16**

(52) **U.S. Cl.** ..... **D12/413**

(58) **Field of Search** ..... D12/406, 412-414.1, D12/162; 296/99.1, 37.1, 37.7, 106; 224/309, 310, 314, 320-323, 917; D3/273; 206/315.1-315.4

(56) **References Cited**

**U.S. PATENT DOCUMENTS**

D243,392 S	*	2/1977	Fairthorne	.....	D12/413
D279,972 S	*	8/1985	Marovich	.....	D12/406
D297,631 S	*	9/1988	Breger	.....	D12/413
D326,634 S	*	6/1992	Seaver	.....	D12/413
D327,044 S	*	6/1992	Smith et al.	.....	D12/162
D328,731 S	*	8/1992	Smith et al.	.....	D12/162
D373,105 S	*	8/1996	Imotani	.....	D12/406

D403,653 S	*	1/1999	Deshong et al.	.....	D12/414.1
D406,558 S	*	3/1999	Pendergraph	.....	D12/413
D412,881 S	*	8/1999	Behringer	.....	D12/413
D420,321 S	*	2/2000	McCoy et al.	.....	D12/413
D433,988 S	*	11/2000	Beebe	.....	D12/406
D434,719 S	*	12/2000	McCoy et al.	.....	D12/413

\* cited by examiner

*Primary Examiner*—Stacia Cadmus

(74) *Attorney, Agent, or Firm*—McDonald, Hopkins, Burke & Haber Co., L.P.A.

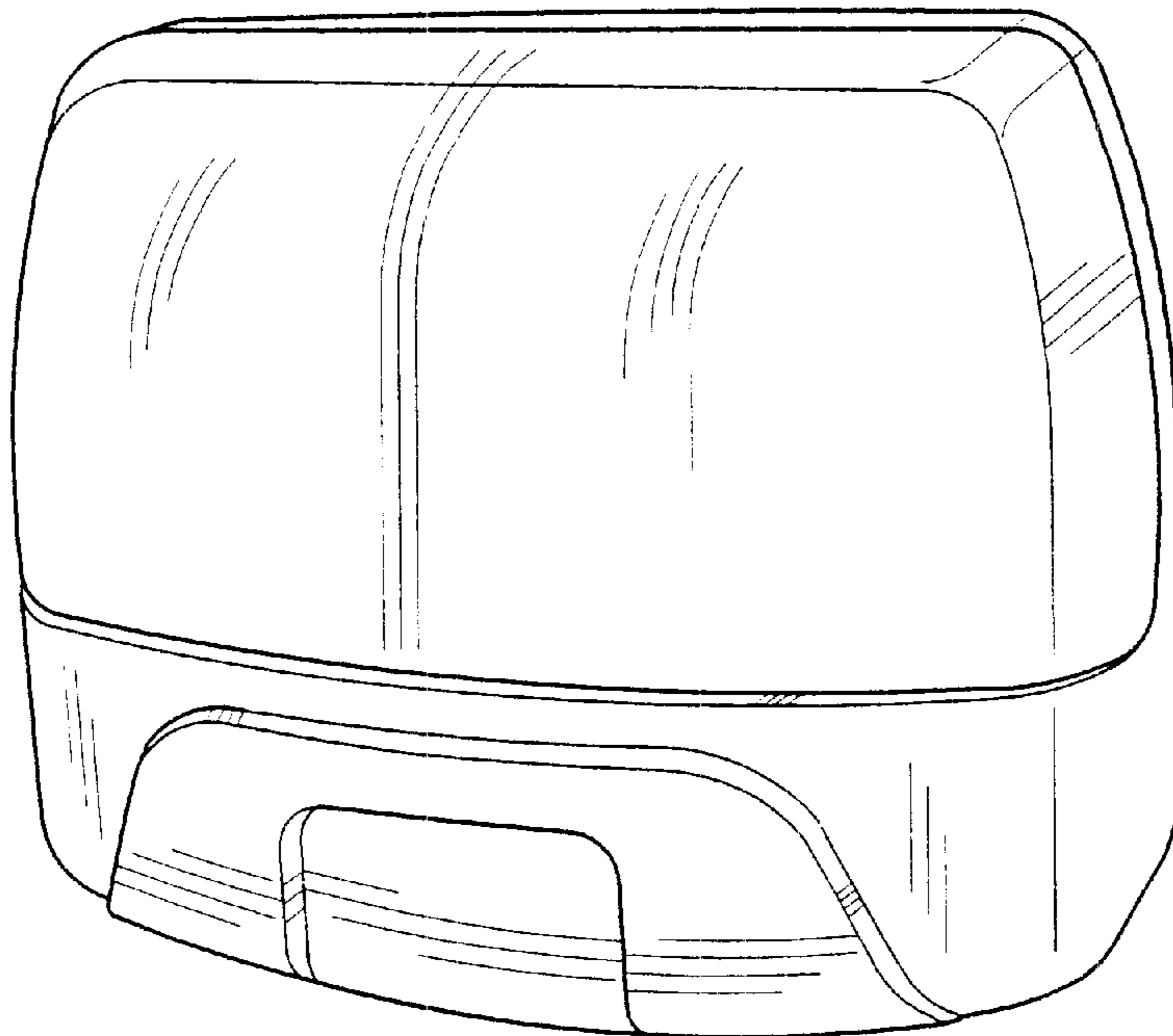
(57) **CLAIM**

The ornamental design for a hitch mountable enclosed cargo carrier, as shown and described.

**DESCRIPTION**

FIG. 1 is a rear perspective view of the hitch mountable enclosed cargo carrier showing our new design; FIG. 2 is a top plan view thereof; FIG. 3 is a top plan view thereof in a position with the support arm pivoted away from the hitch mount; FIG. 4 is a top plan view thereof in a position with the support arm pivoted away from the hitch mount and with the cargo bin rotated on the support arm; FIG. 5 is a bottom plan view thereof; FIG. 6 is a front elevational view thereof; FIG. 7 is a rear elevational view thereof; FIG. 8 is a right side elevational view thereof; and, FIG. 9 is a left side elevational view thereof.

**1 Claim, 3 Drawing Sheets**



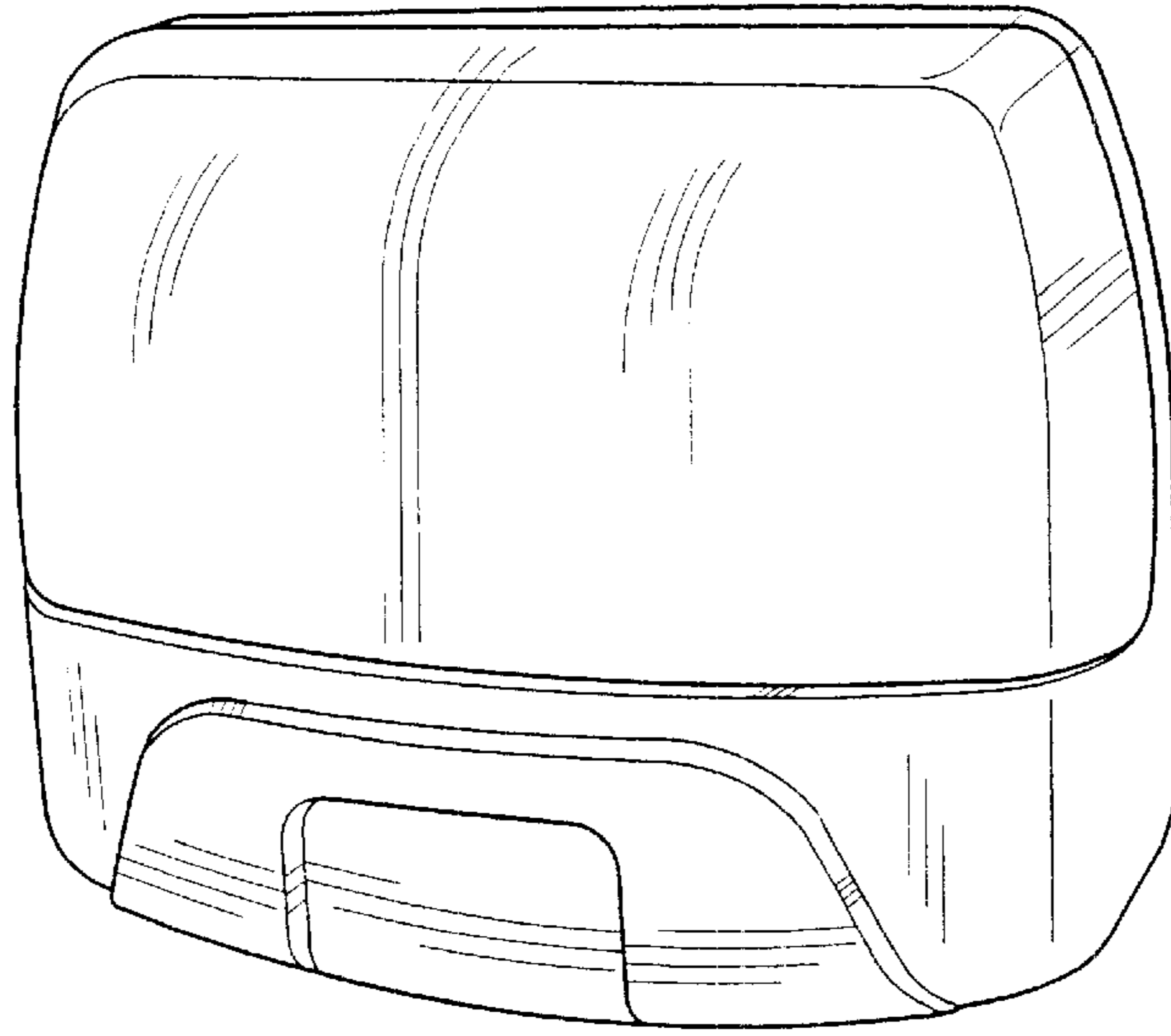


Fig-1

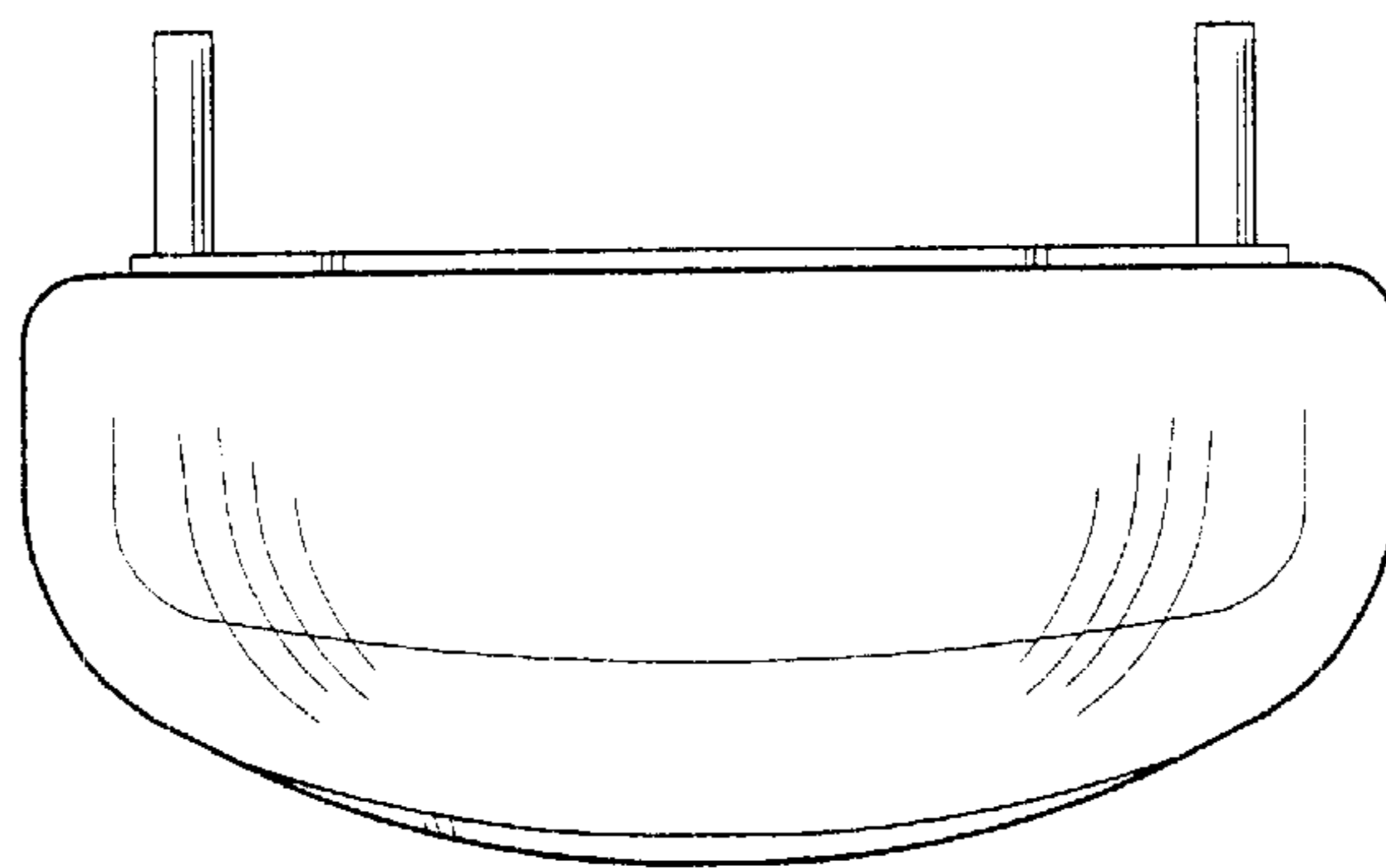


Fig-2

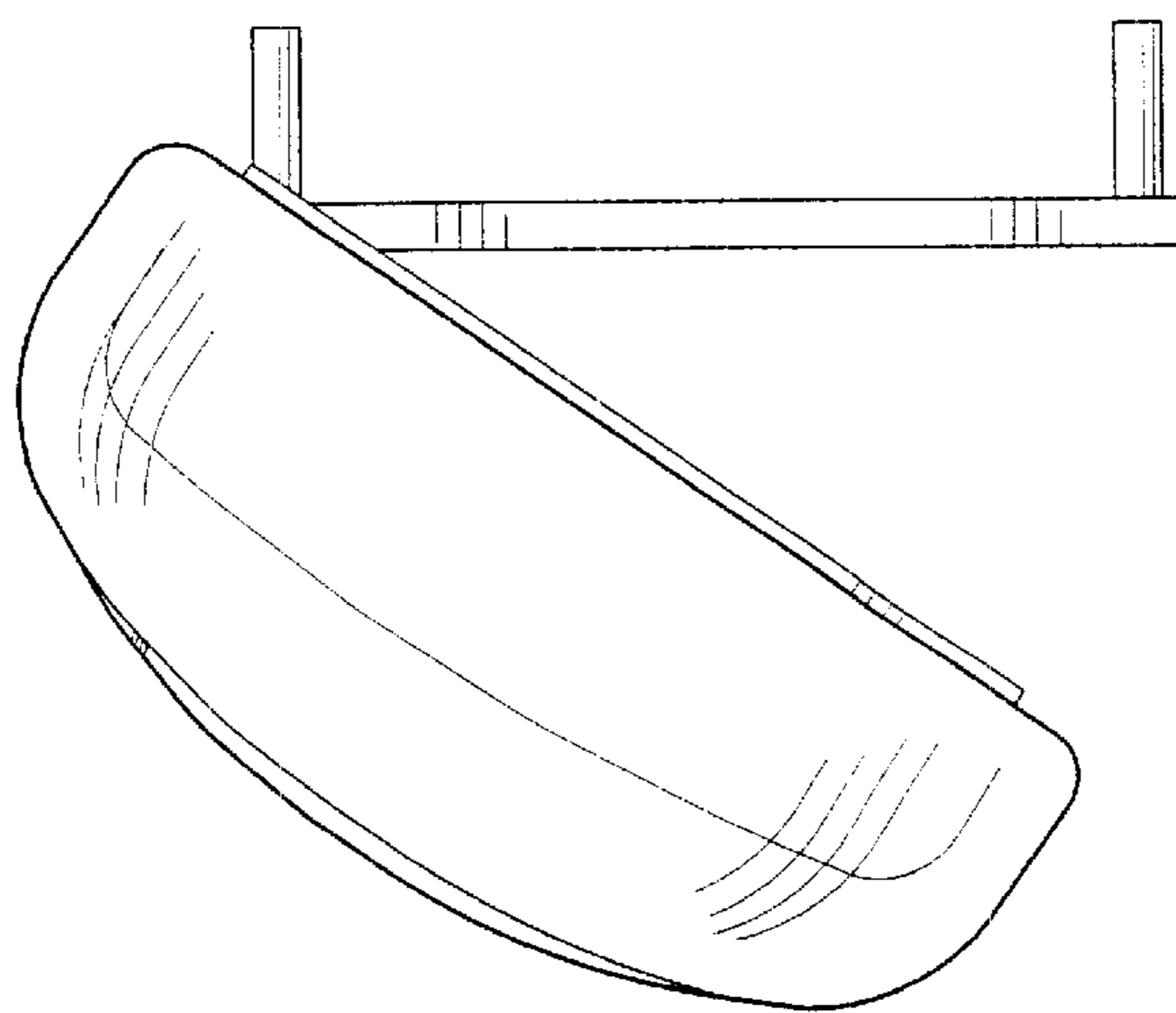


Fig-3

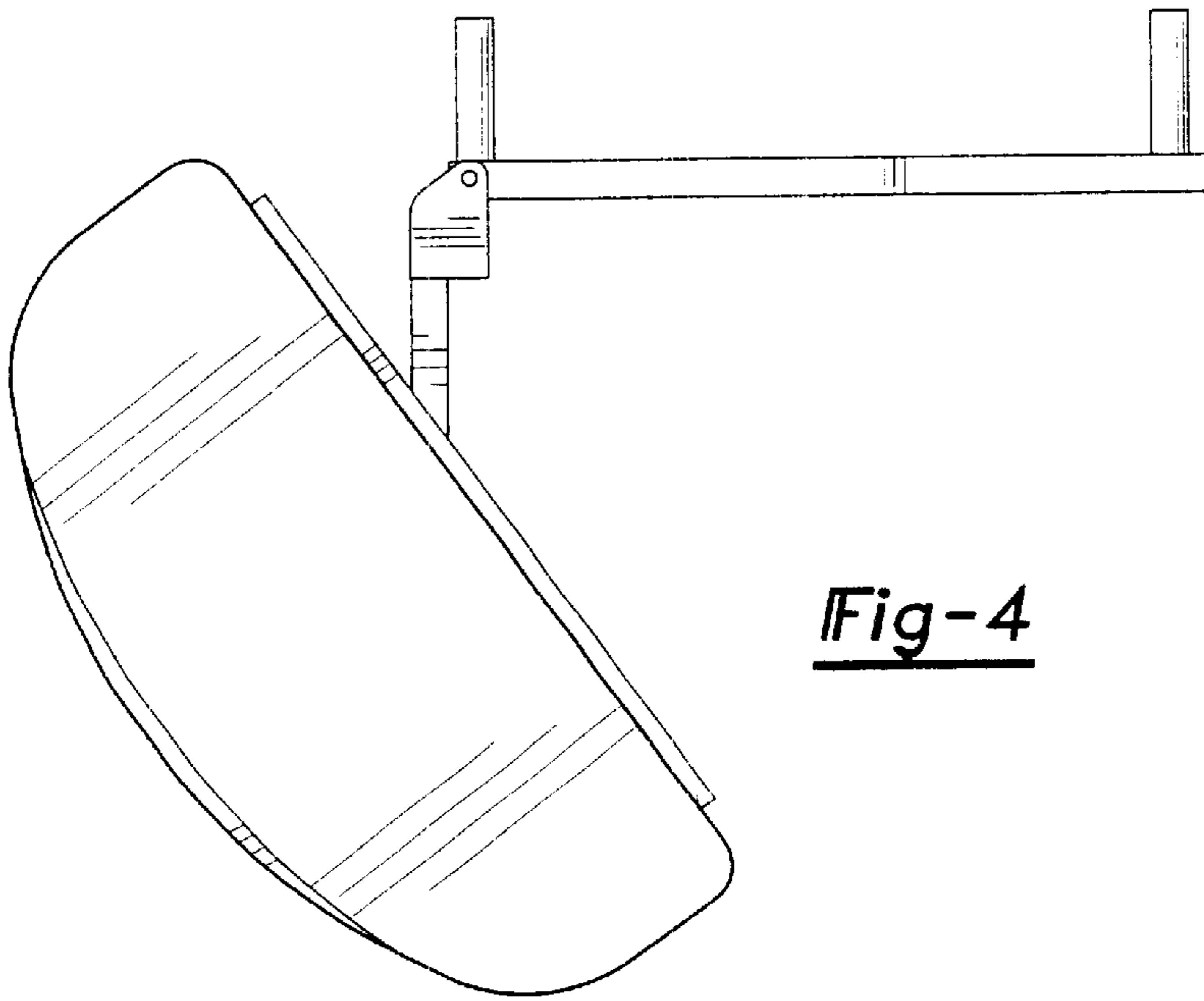


Fig-4

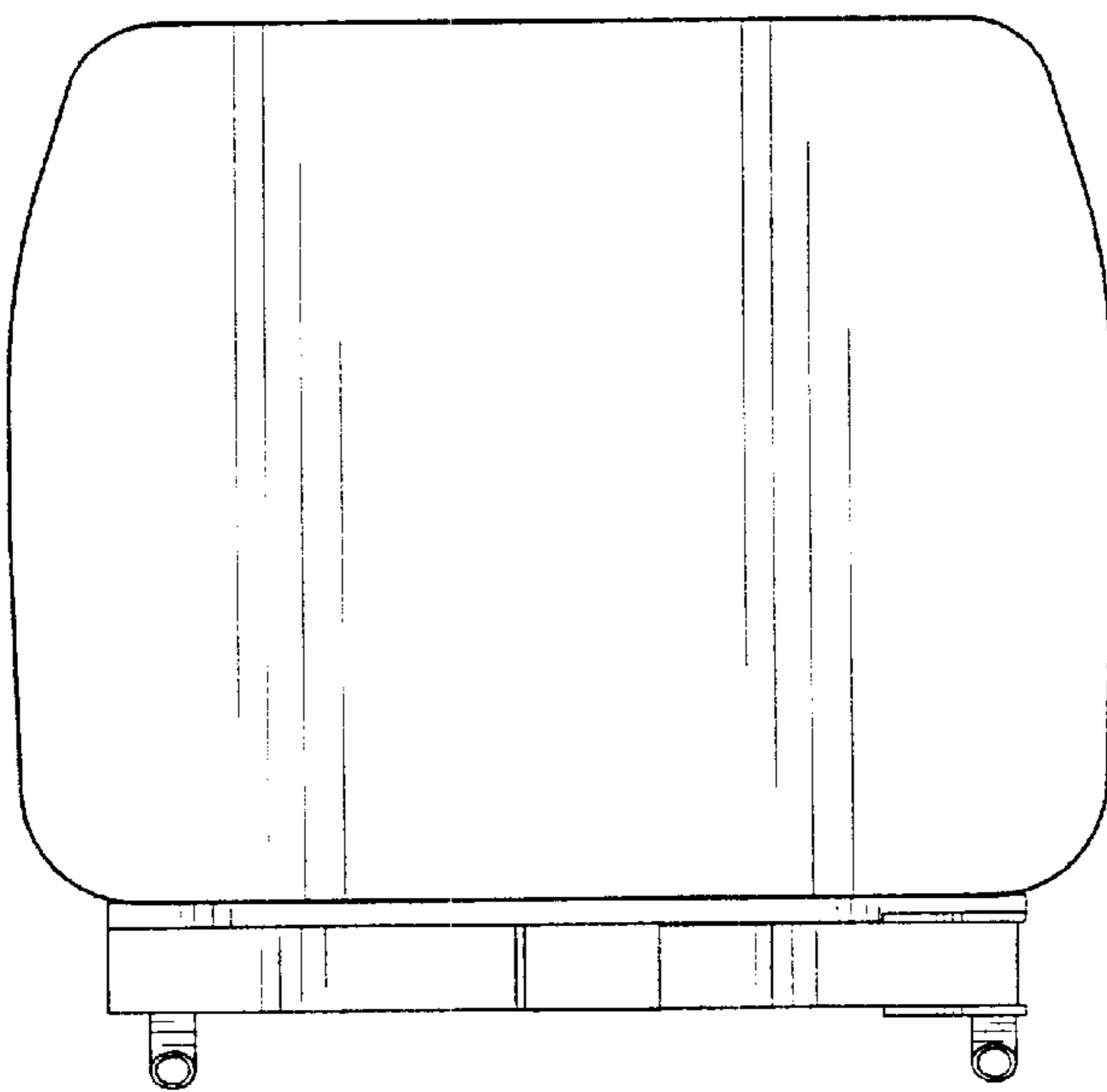


Fig-6

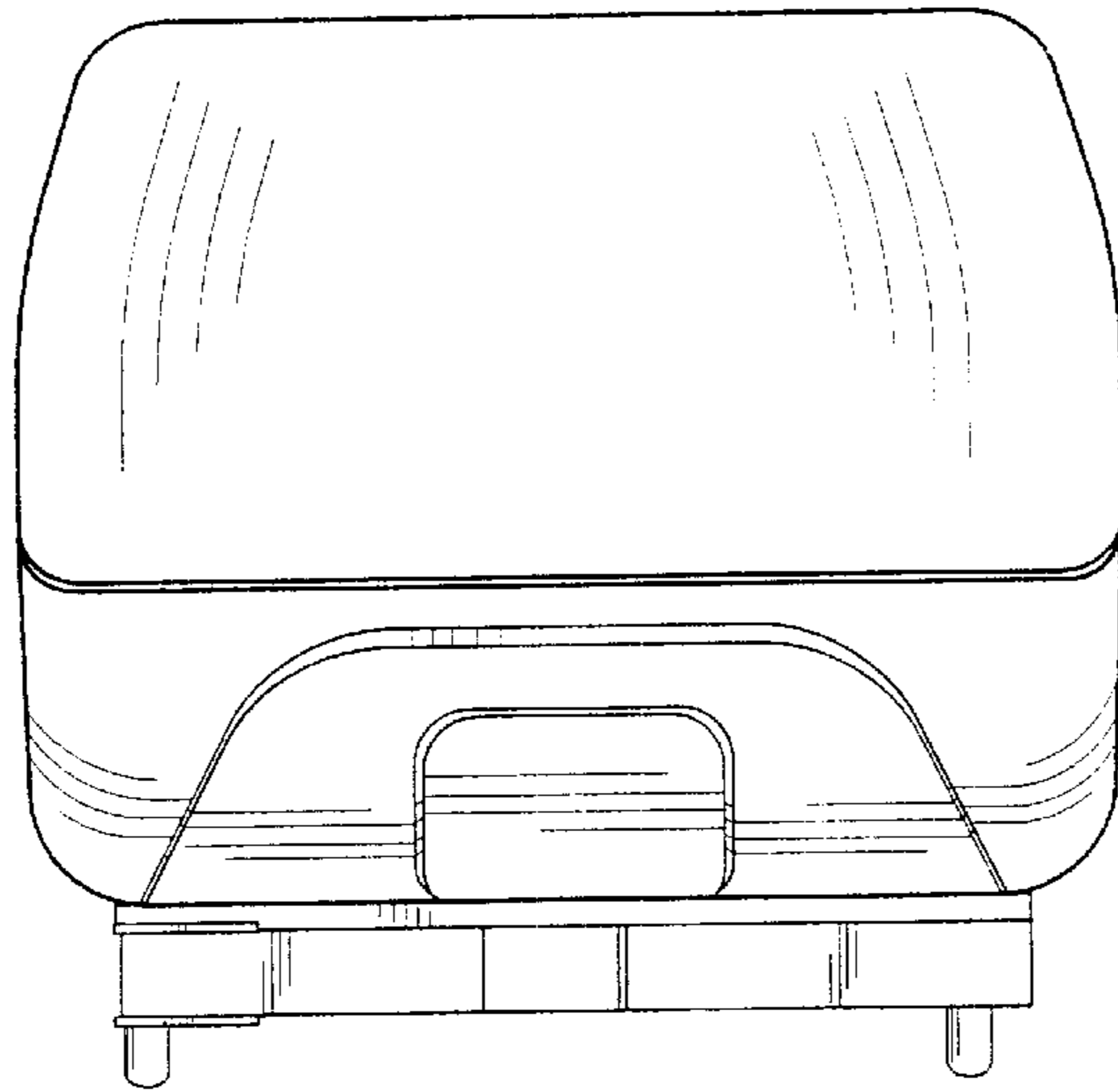


Fig-7

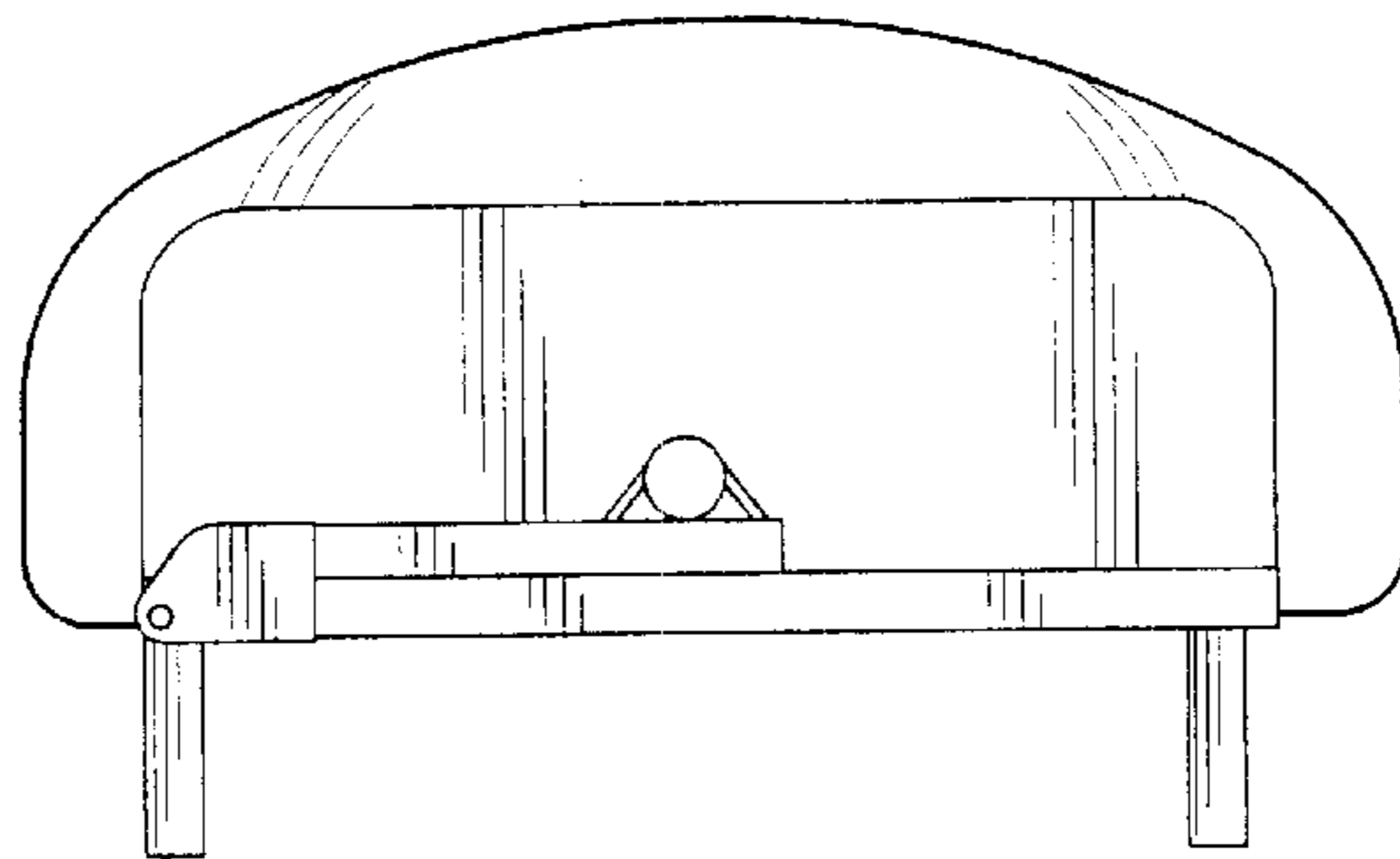


Fig-5

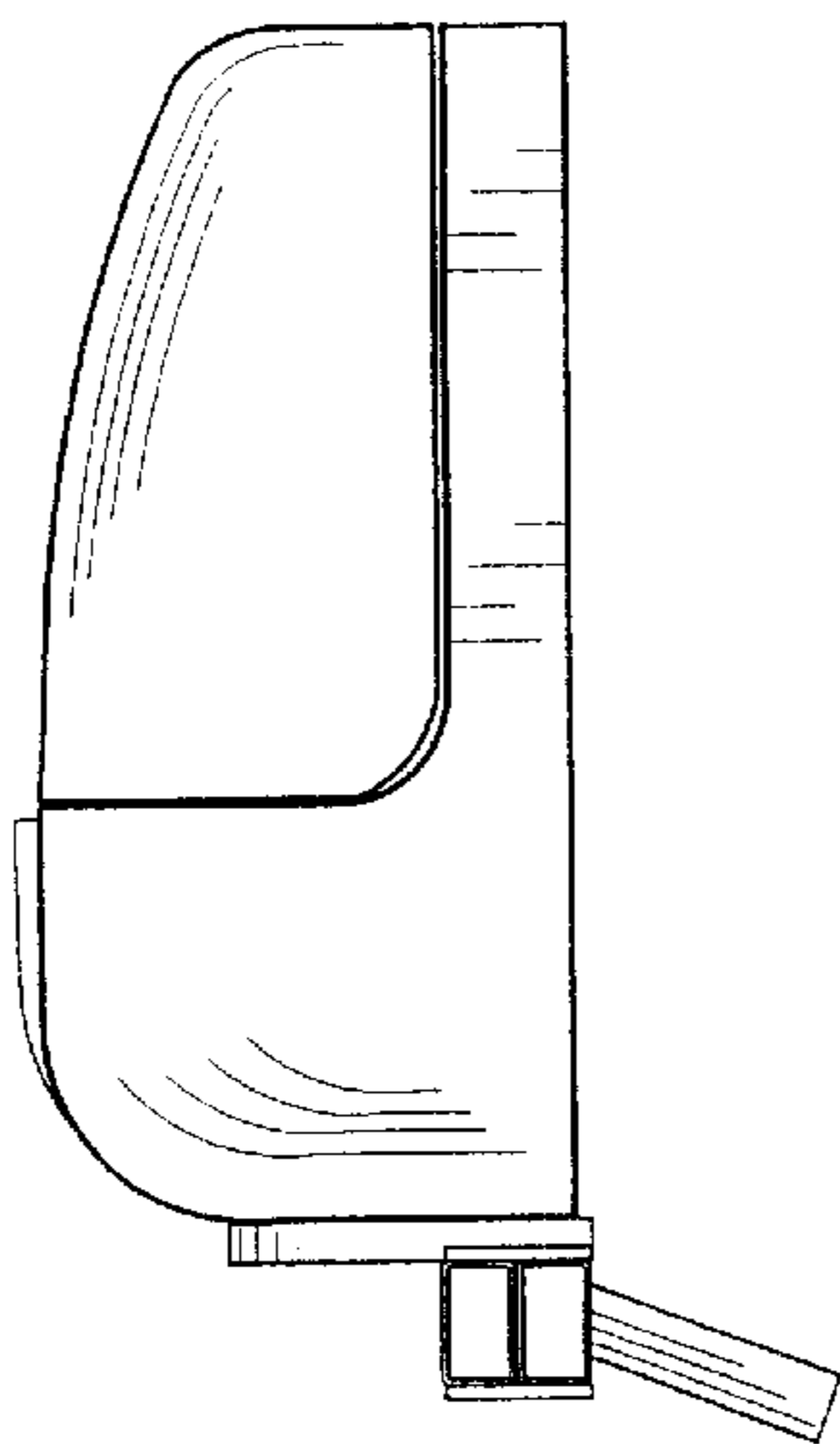


Fig-8

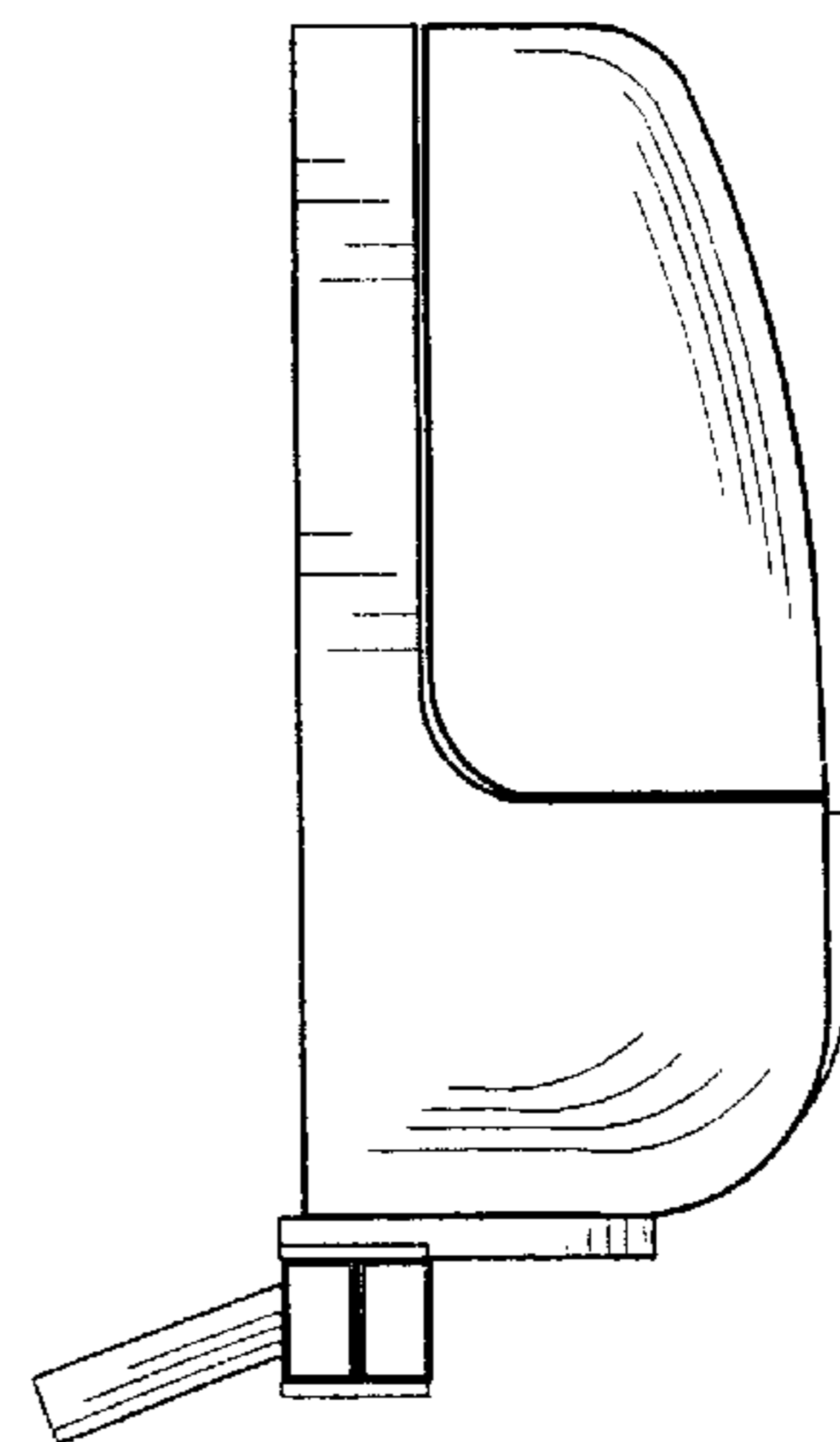


Fig-9