



US00D462631S

(12) **United States Design Patent**
Calvani

(10) **Patent No.:** **US D462,631 S**

(45) **Date of Patent:** **** Sep. 10, 2002**

(54) **BEZEL**

(75) Inventor: **Maria Christina Calvani**, Chambesy
(CH)

(73) Assignee: **Rolex Watch USA, Inc.**, New York,
NY (US)

(**) Term: **14 Years**

(21) Appl. No.: **29/139,023**

(22) Filed: **Mar. 22, 2001**

(51) **LOC (7) Cl.** **10-02**

(52) **U.S. Cl.** **D10/128**

(58) **Field of Search** D10/1-40, 122-132;
368/276-277, 285, 316-317, 294-296

(56) **References Cited**

U.S. PATENT DOCUMENTS

153,633	A	*	7/1874	Thiery	368/294
442,443	A	*	12/1890	Kornrumpf	368/294
1,291,336	A	*	1/1919	Wood	368/294
2,597,935	A	*	5/1952	Kiehl	368/295
4,462,697	A	*	7/1984	Thompson	368/282

4,815,053	A	*	3/1989	Busco	368/294
5,541,895	A	*	7/1996	Nussbaum	368/295
5,654,941	A	*	8/1997	Joss	368/295
5,771,543	A		6/1998	Froidevaux et al.		
D401,866	S		12/1998	Pandel		
D404,322	S		1/1999	Blondin		
D410,199	S		5/1999	Calvani		
6,206,563	B1	*	3/2001	Dombre et al.	368/294

* cited by examiner

Primary Examiner—Nelson C. Holtje

(74) *Attorney, Agent, or Firm*—Morgan & Finnegan, LLP

(57) **CLAIM**

I claim the ornamental design for a bezel, as shown and described.

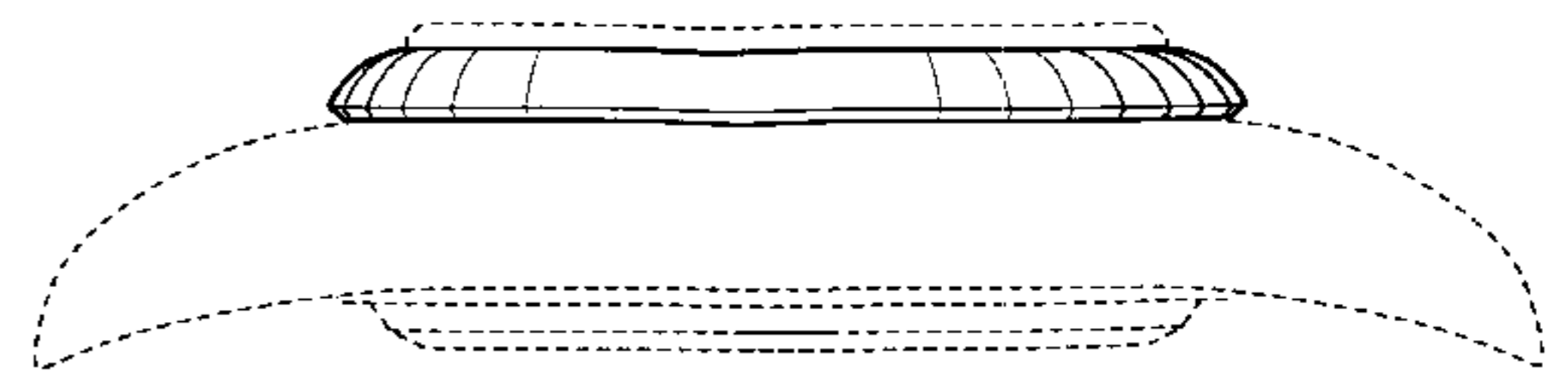
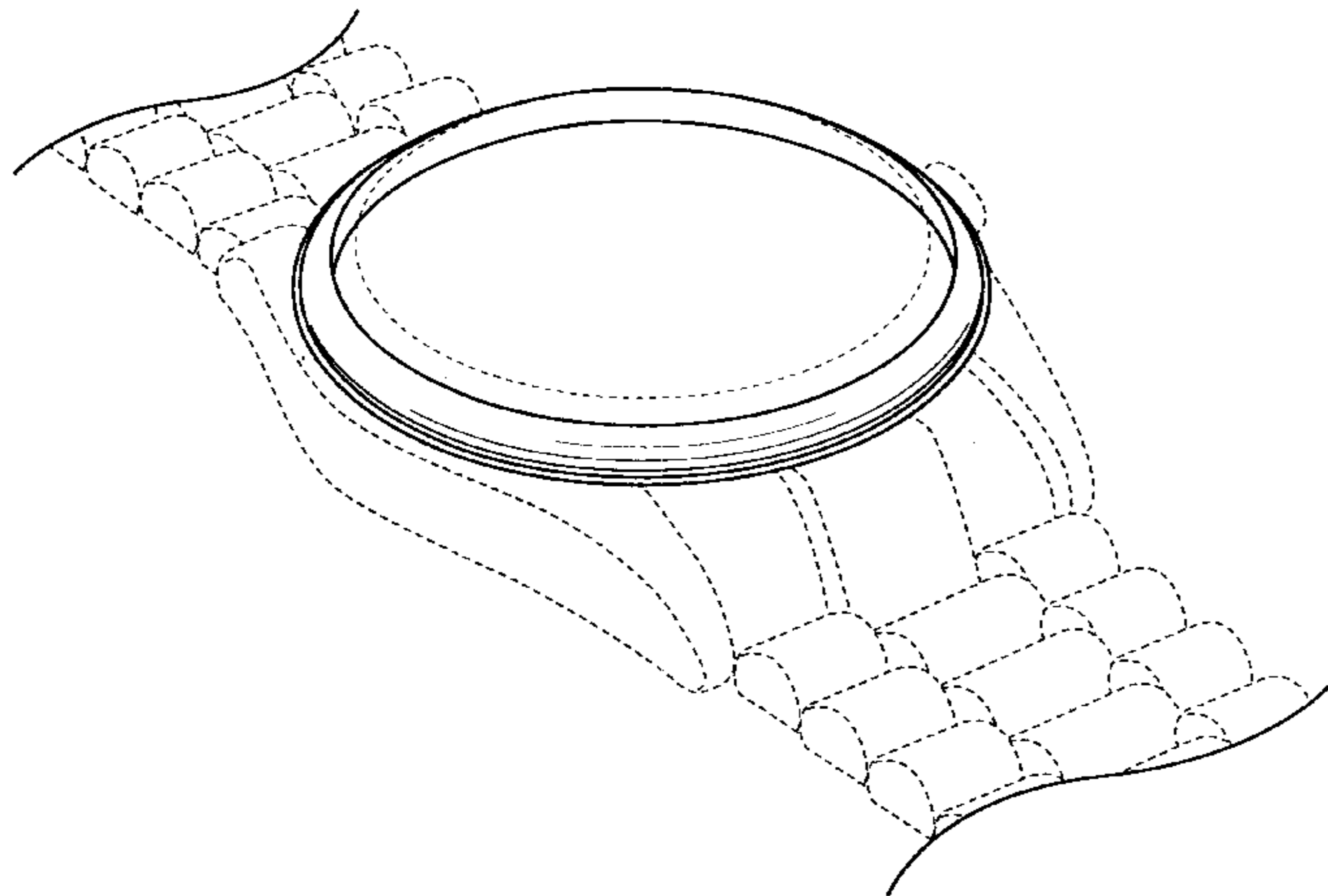
DESCRIPTION

FIG. 1 is a perspective view of a bezel showing my new design; and,

FIG. 2 is a left side elevational view thereof, the right side elevational view of the bezel a mirror image.

The broken line showings in FIGS. 1 and 2 are environmental only and form no part of the claimed design.

1 Claim, 1 Drawing Sheet



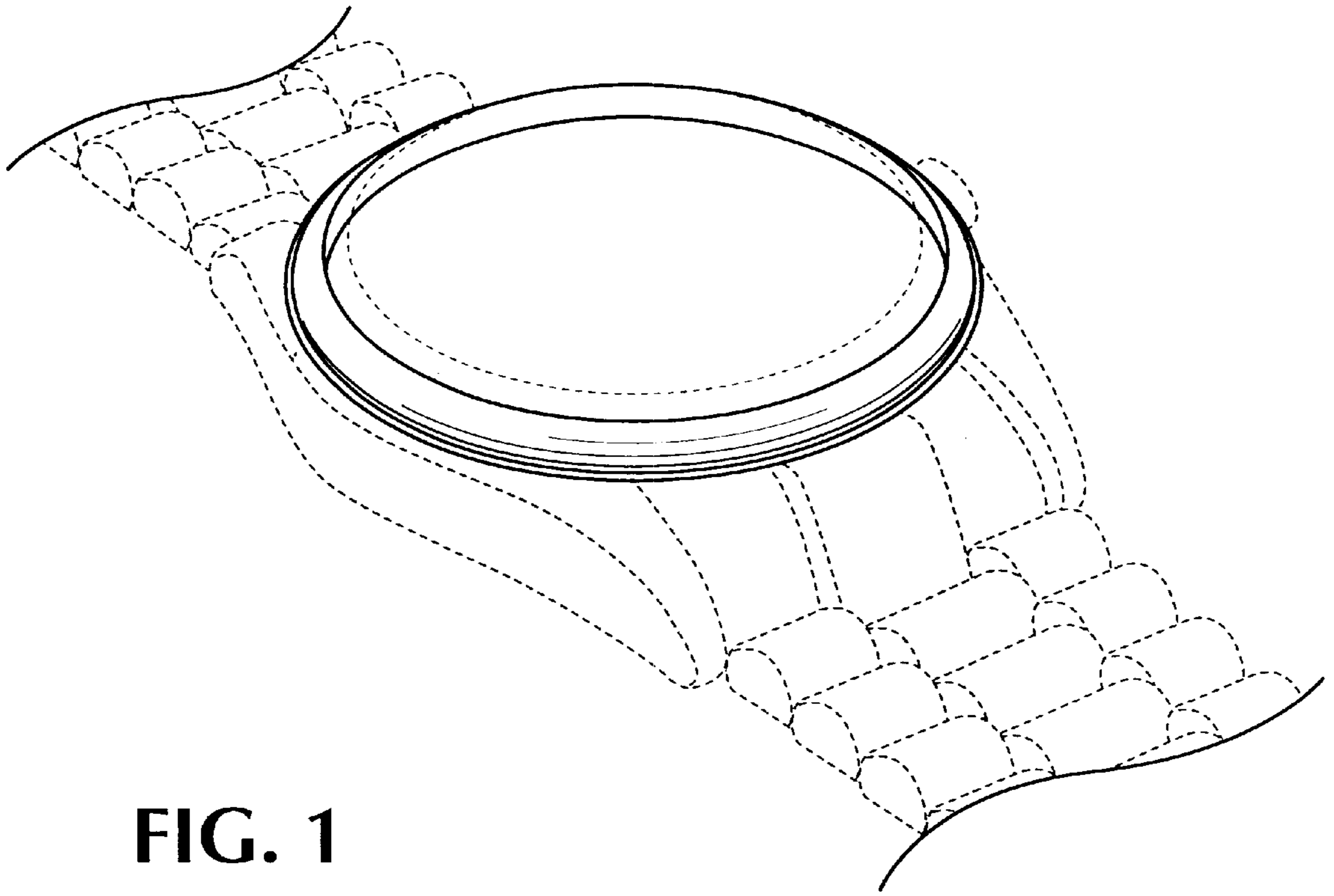


FIG. 1

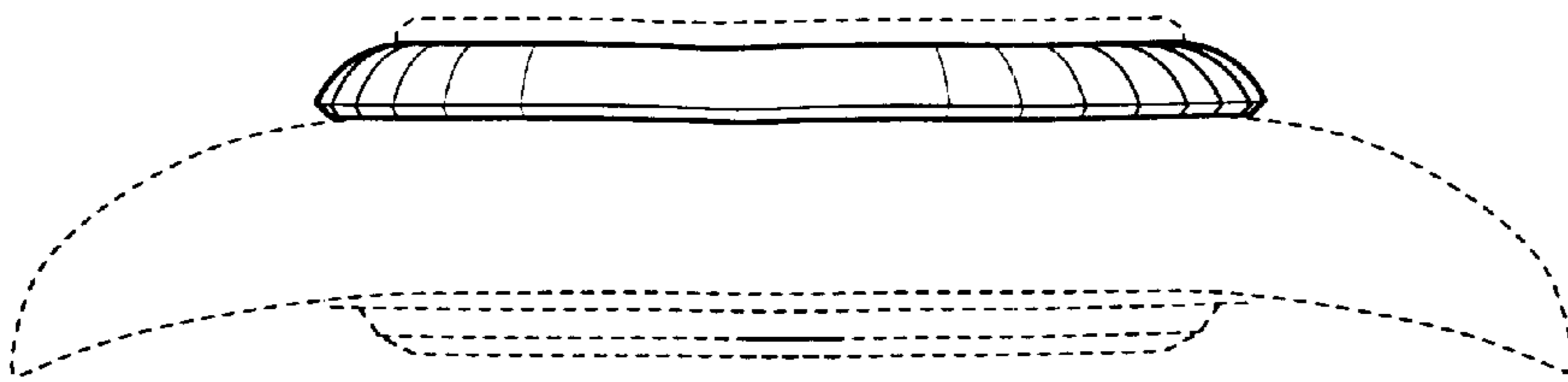


FIG. 2