



US00D462629S

(12) **United States Design Patent**
Tran et al.

(10) **Patent No.:** **US D462,629 S**

(45) **Date of Patent:** **** Sep. 10, 2002**

(54) **LAP COUNTER FOR RECREATIONAL SWIMMER**

5,136,621 A * 8/1992 Mitchell et al. 377/24.2
5,325,340 A * 6/1994 Ramsey 368/3
5,391,080 A * 2/1995 Bernacki et al. 434/254

(76) Inventors: **Gia Qvoc Tran**, 935 W. Tioga Pass,
Orange, CA (US) 92865; **Thuy D. Nguyen**, 2913 S. Rosewood, Santa Ana,
CA (US) 92707

* cited by examiner

(**) Term: **14 Years**

Primary Examiner—Antoine Duval Davis

(21) Appl. No.: **29/130,449**

(57) **CLAIM**

(22) Filed: **Oct. 3, 2000**

The ornamental design for a lap counter for recreational swimmer, as shown.

(51) **LOC (7) Cl.** **10-04**

(52) **U.S. Cl.** **D10/97**

(58) **Field of Search** D10/97; 73/861.77,
73/861.79, 170.05, 170.12, 170.13, 170.14,
170.15, 170.16; 368/10, 79, 107-113, 3;
377/2, 5, 24.2; 434/254, 255, 247

DESCRIPTION

FIG. 1 is the left front top view of a lap counter showing my new design; and,

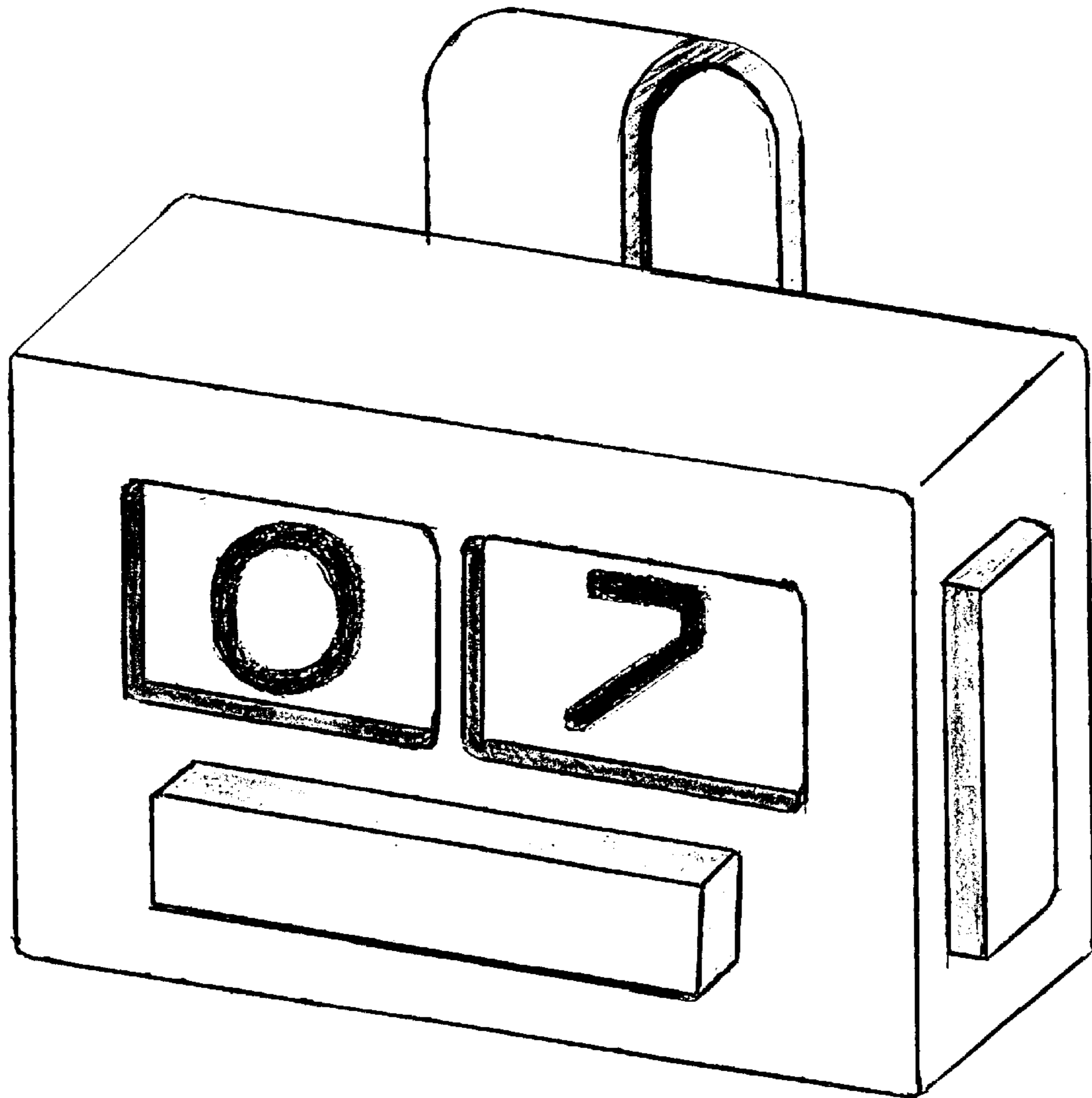
FIG. 2 is the left rear top view thereof.

(56) **References Cited**

U.S. PATENT DOCUMENTS

4,685,116 A * 8/1987 Toumayan D10/97 X

1 Claim, 2 Drawing Sheets



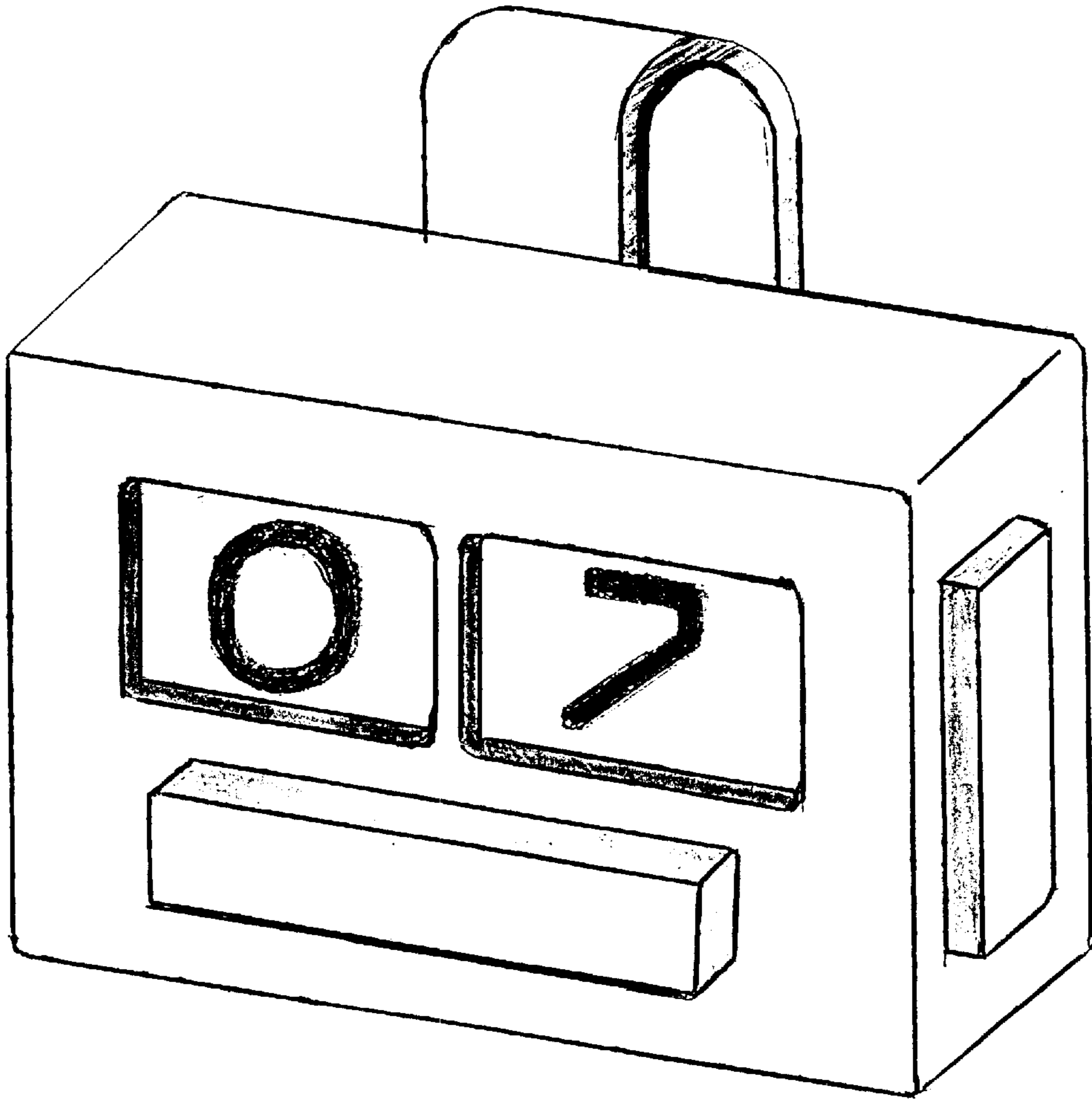


FIG. 1

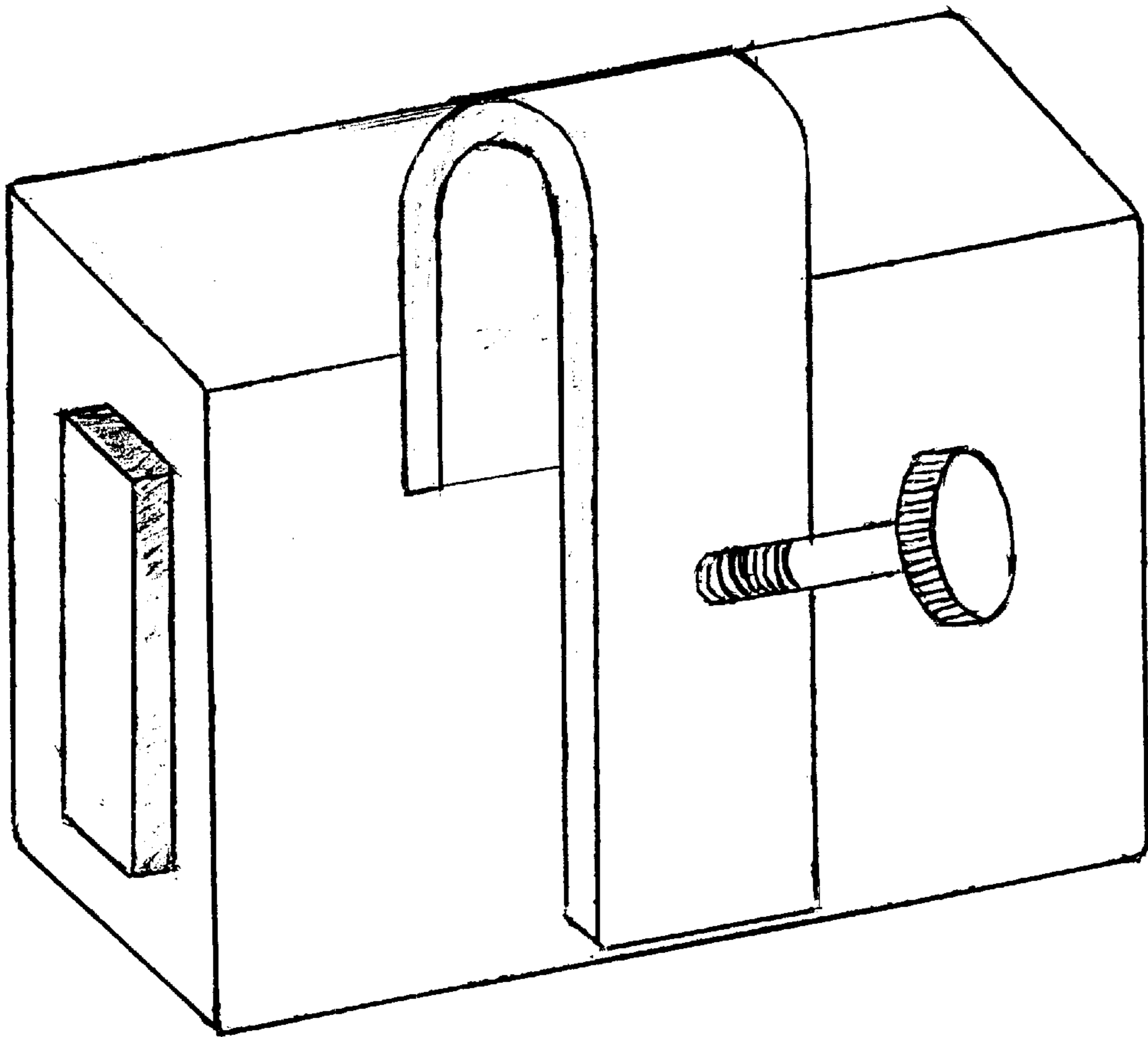


FIG. 2