

US00D462626S

(12) **United States Design Patent**
Li

(10) **Patent No.:** **US D462,626 S**

(45) **Date of Patent:** **** Sep. 10, 2002**

(54) **REVERSE PARKING AID**

Primary Examiner—Antoine Duval Davis

(76) Inventor: **William Lian Li**, 10 Brookhaven,
Irvine, CA (US) 92618

(57) **CLAIM**

(**) Term: **14 Years**

The ornamental design for the reverse parking aid, as shown and described.

(21) Appl. No.: **29/139,039**

DESCRIPTION

(22) Filed: **Mar. 23, 2001**

FIG. 1 is a perspective view of my new design.

(51) **LOC (7) Cl.** **10-04**

FIG. 2 is a front view thereof.

(52) **U.S. Cl.** **D10/70**

FIG. 3 is a top view thereof.

(58) **Field of Search** D10/70; 356/5.01,
356/5.1, 5.12

FIG. 4 is a bottom view thereof; and,

FIG. 5 is a right side view thereof, of which the left side view is a mirror image.

(56) **References Cited**

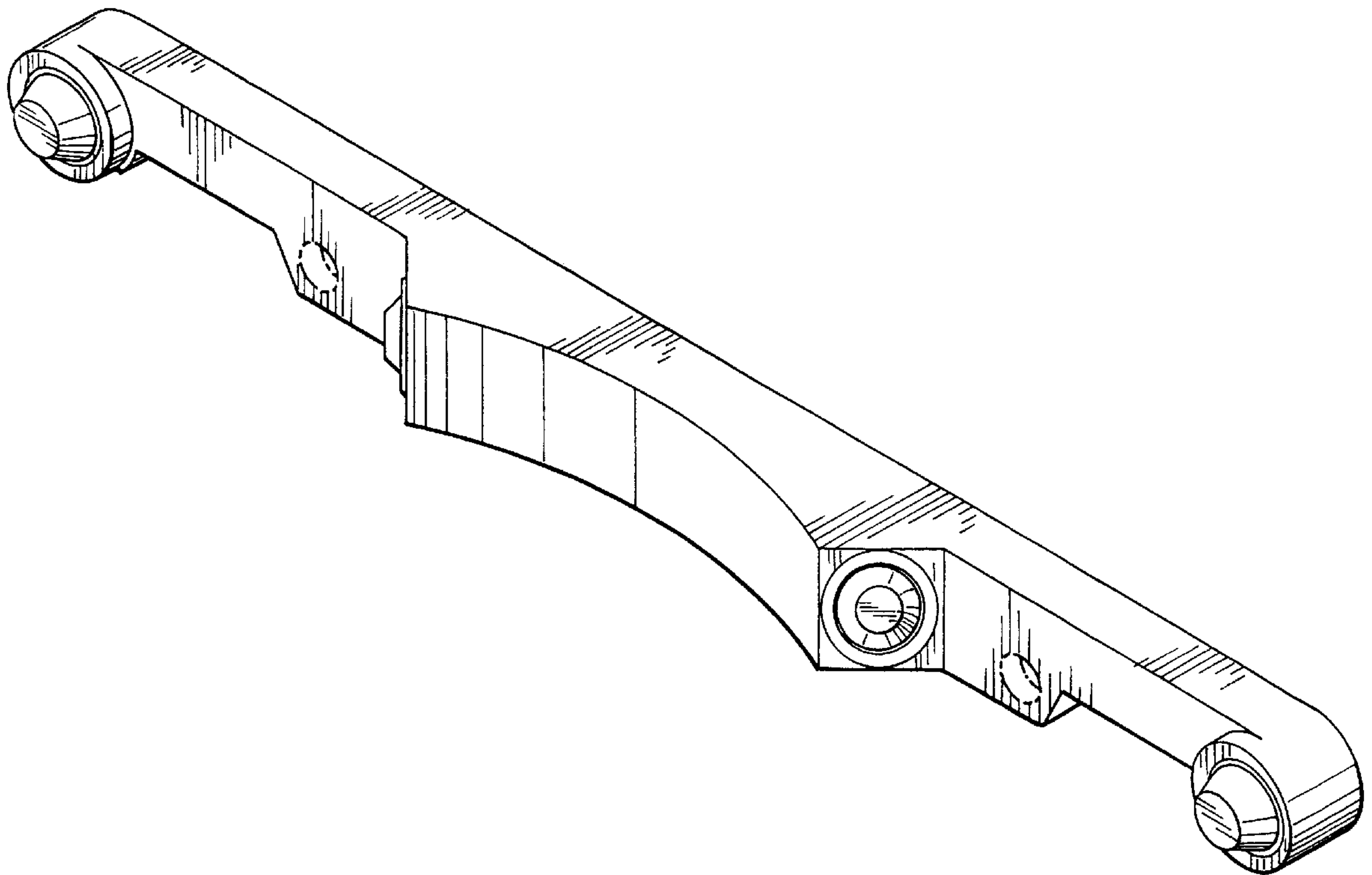
The broken line showing is for illustrative purposes only and forms no part of the claimed design.

U.S. PATENT DOCUMENTS

D370,861 S * 6/1996 Carpenter D10/70

* cited by examiner

1 Claim, 2 Drawing Sheets



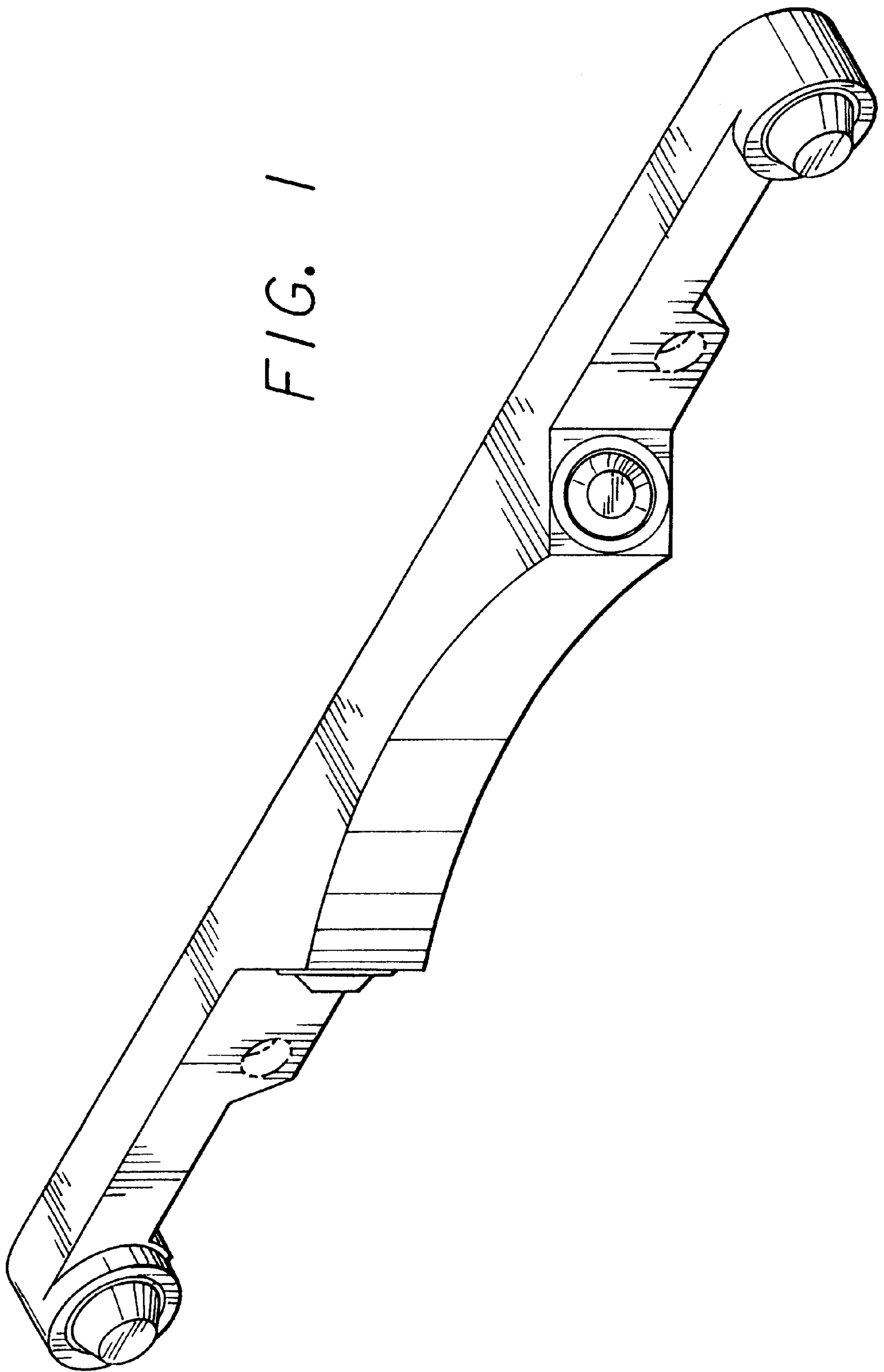


FIG. 1

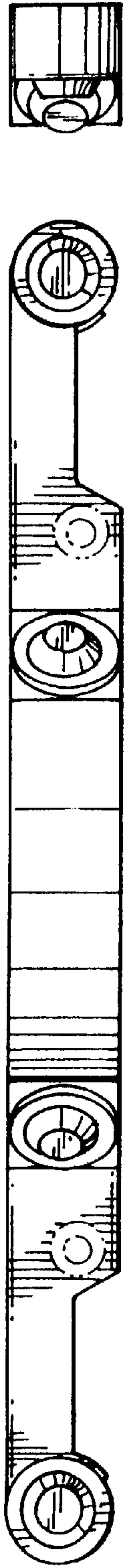


FIG. 5

FIG. 2



FIG. 3



FIG. 4

