



US00D462623S

(12) **United States Design Patent**
Fujihara

(10) **Patent No.:** **US D462,623 S**

(45) **Date of Patent:** **** Sep. 10, 2002**

(54) **WATCH CASE**

(75) **Inventor:** **Yoh Fujihara, Hamura (JP)**

(73) **Assignee:** **Casio Keisanki Kabushiki Kaisha, Tokyo (JP)**

(**) **Term:** **14 Years**

(21) **Appl. No.:** **29/153,279**

(22) **Filed:** **Oct. 25, 2001**

(51) **LOC (7) Cl. 10-02**

(52) **U.S. Cl. D10/30**

(58) **Field of Search** D10/1-40, 122-132;
368/280-282, 276-277, 28-30, 285, 239-242,
243-249, 82-84, 41-44

(56) **References Cited**

U.S. PATENT DOCUMENTS

- D407,025 S * 3/1999 Hanagata D10/30
- D428,346 S * 7/2000 Goto et al. D10/30
- D434,674 S * 12/2000 Shiraishi D10/30
- D441,303 S * 5/2001 Hanagata D10/30

- D451,820 S * 12/2001 Sugisawa D10/30
- D451,825 S * 12/2001 Hanagata D10/30
- D452,169 S * 12/2001 Syoubayashi D10/30
- D456,276 S * 4/2002 Shiraishi D10/30

* cited by examiner

Primary Examiner—Nelson C. Holtje

(74) *Attorney, Agent, or Firm*—Frishauf, Holtz, Goodman & Chick, P.C.

(57) **CLAIM**

The ornamental design for watch case, as shown.

DESCRIPTION

FIG. 1 is a front elevational view of a watch case showing my new design;

FIG. 2 is a rear elevational view thereof;

FIG. 3 is a left side view thereof;

FIG. 4 is a right side view thereof;

FIG. 5 is a top plan view thereof;

FIG. 6 is a bottom plan view thereof; and,

FIG. 7 is a bottom, front, right side perspective view thereof.

1 Claim, 7 Drawing Sheets

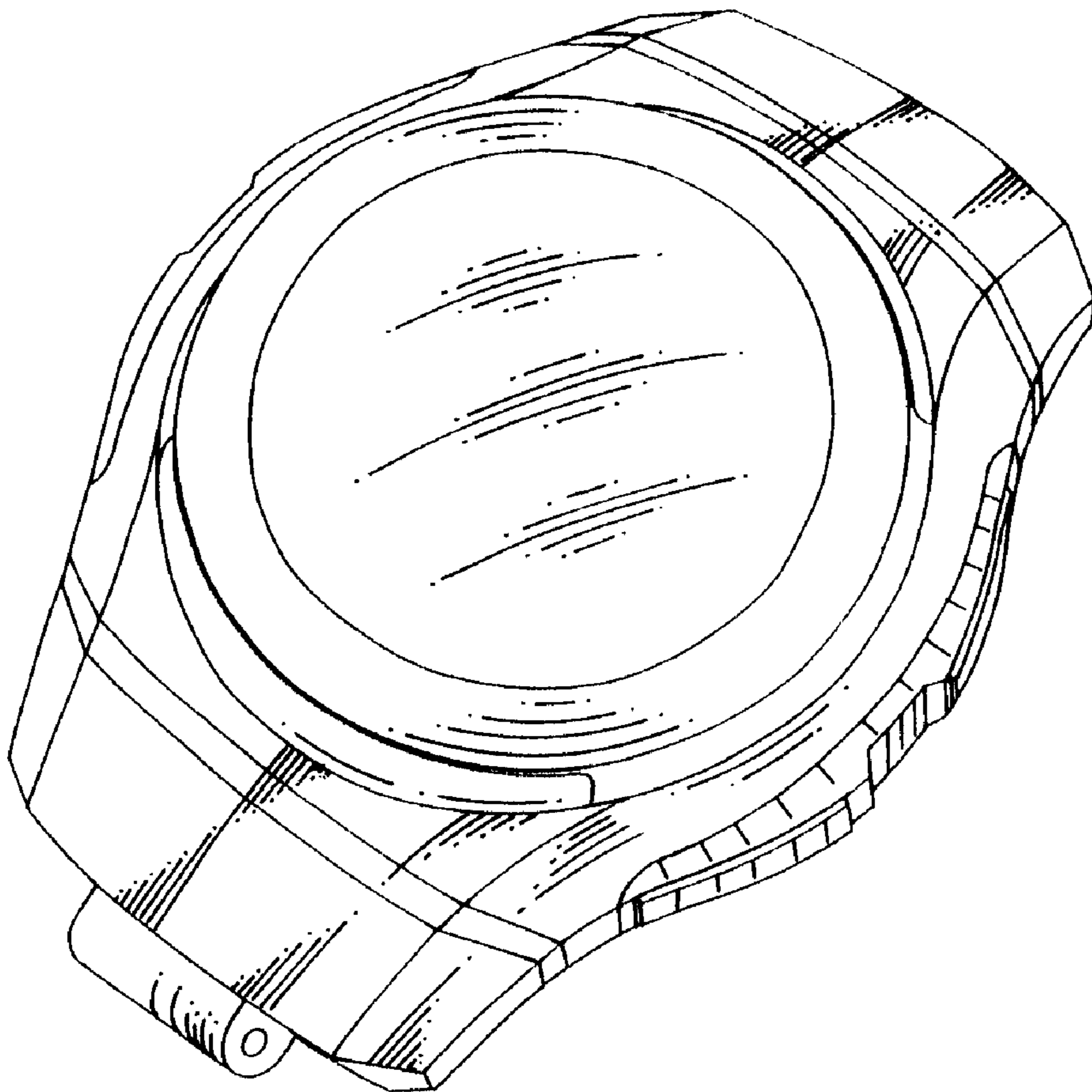


Fig.1

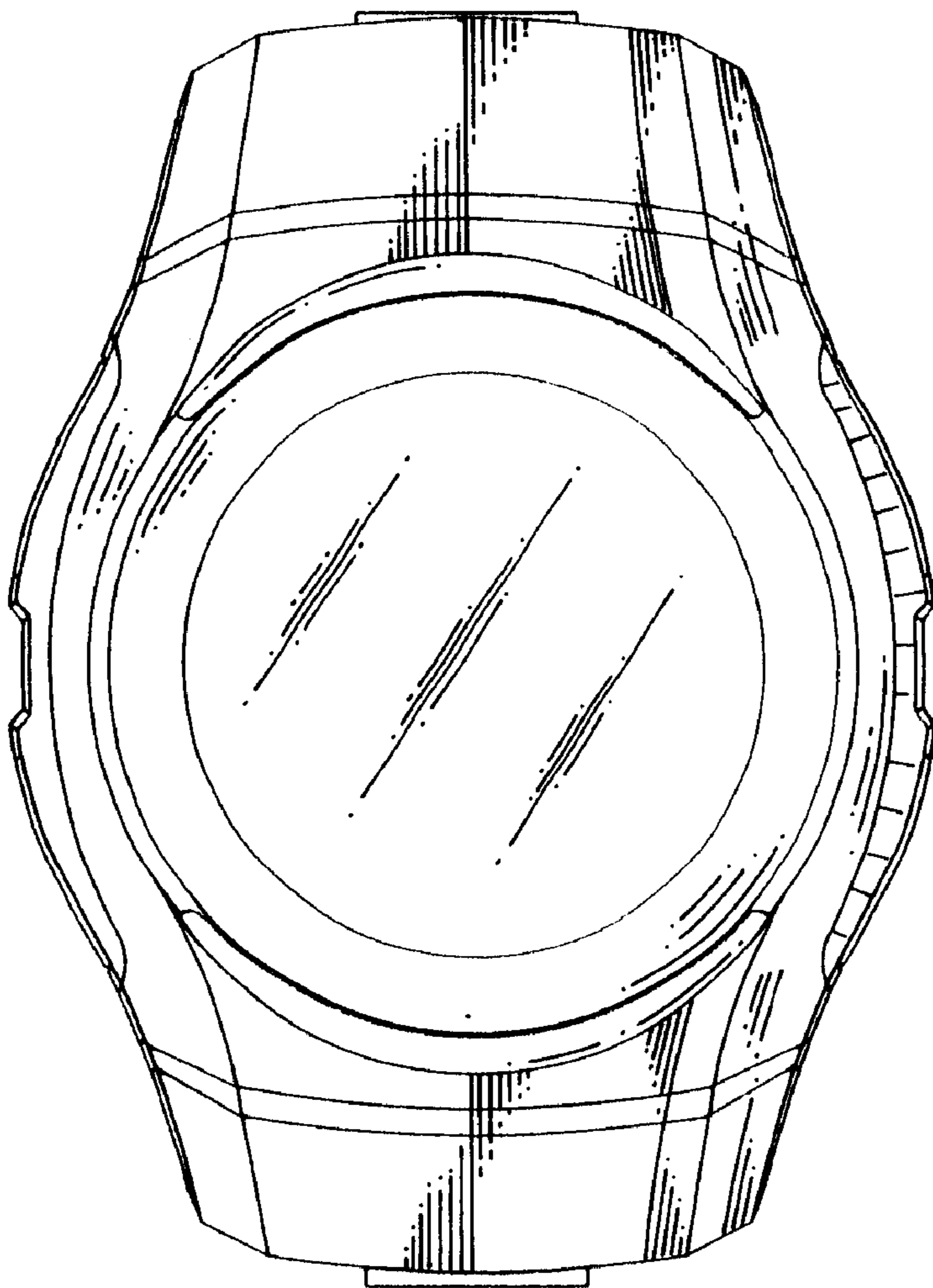


Fig.2

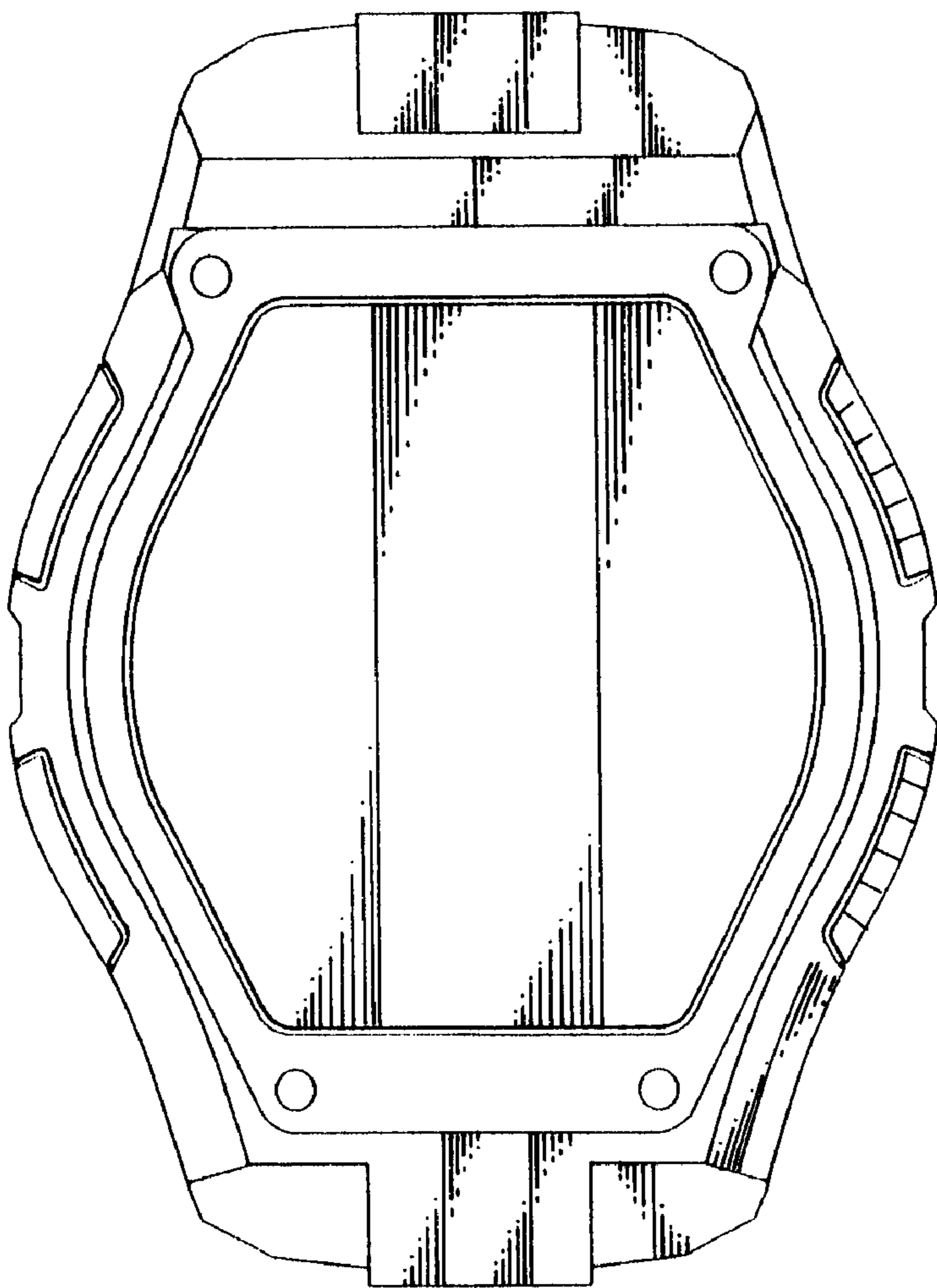


Fig.3

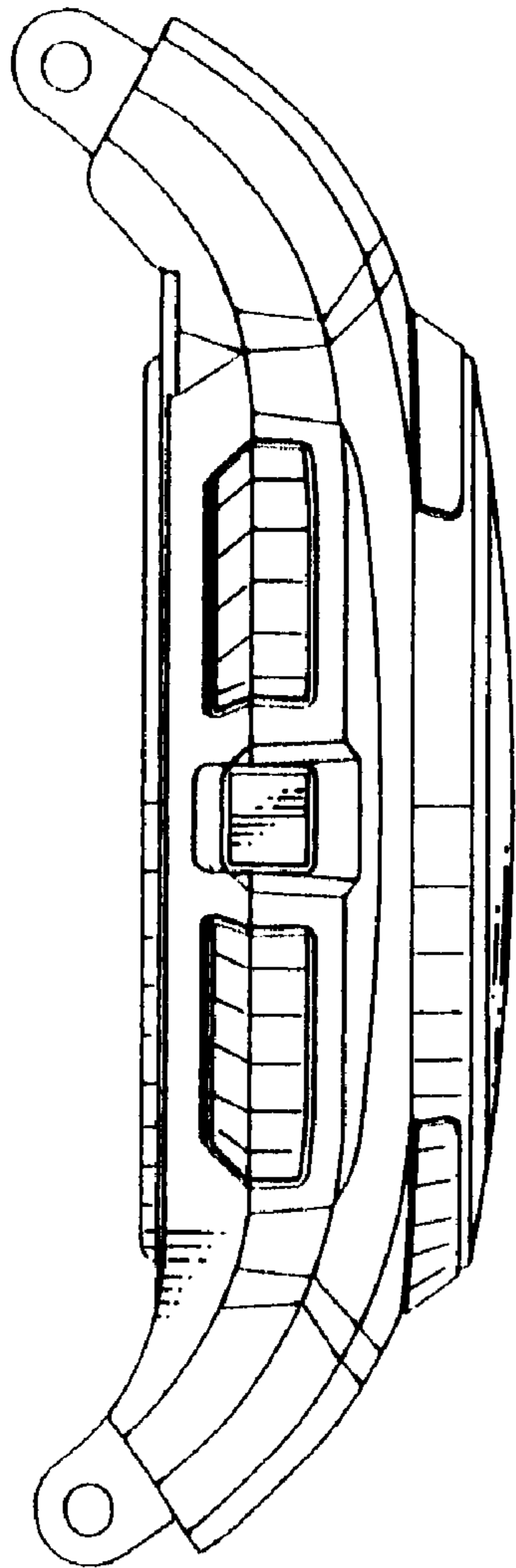


Fig.4

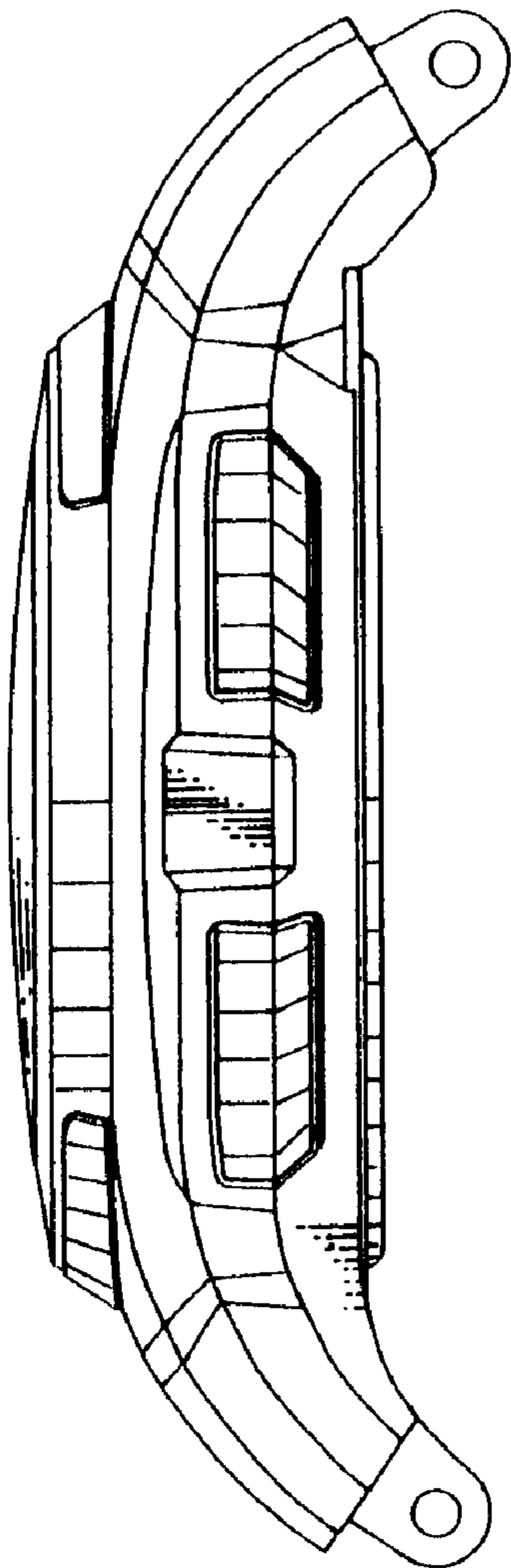


Fig.5

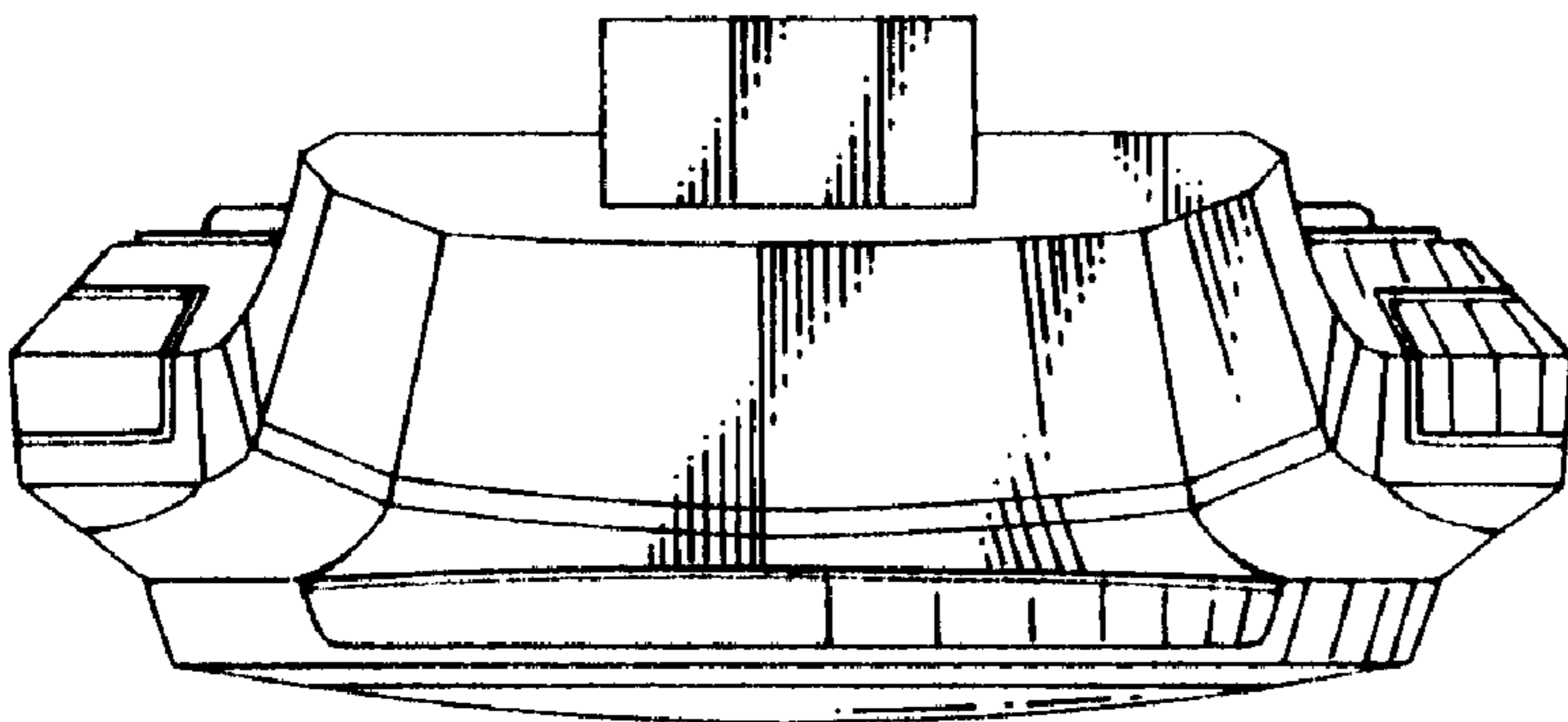


Fig.6

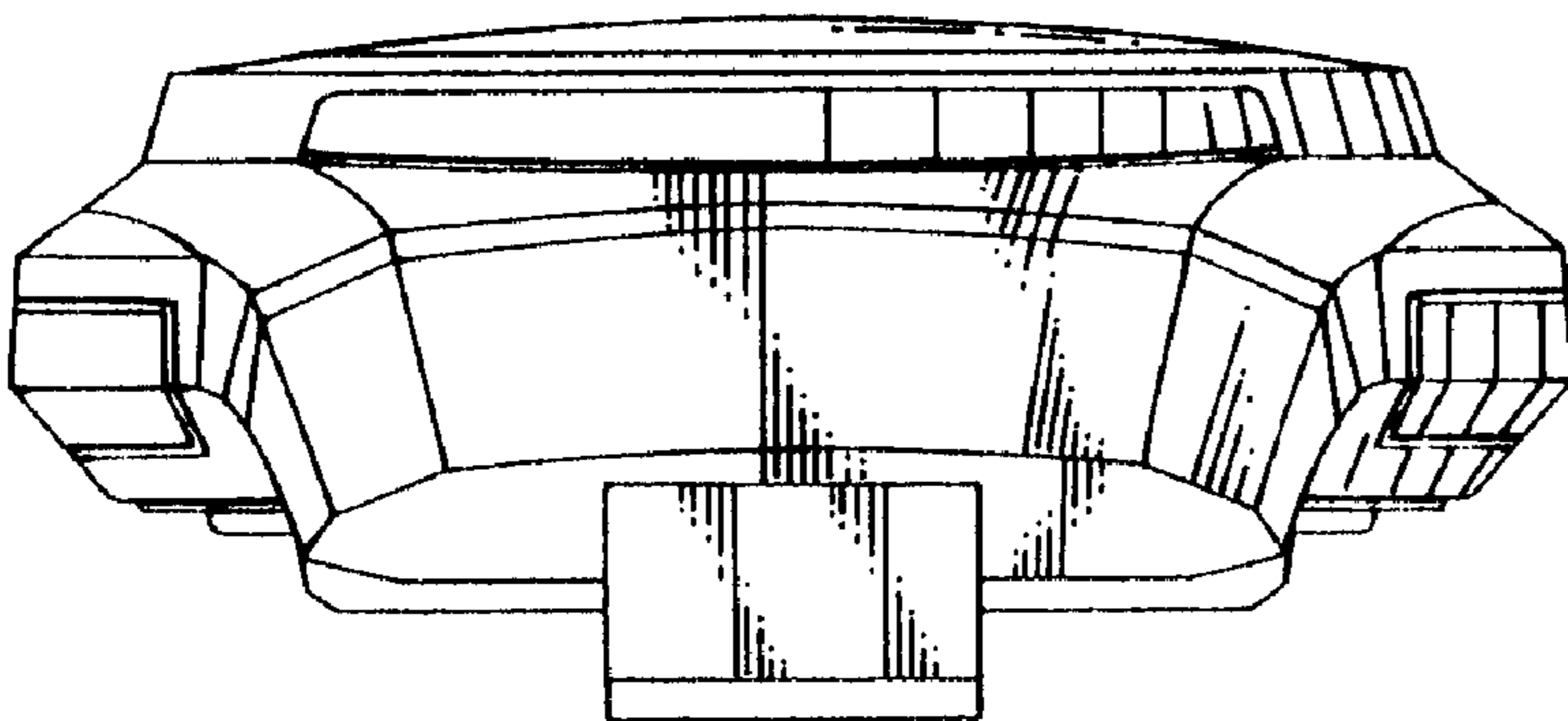


Fig.7

