



US00D462616S

(12) **United States Design Patent**
Scheida

(10) **Patent No.:** **US D462,616 S**

(45) **Date of Patent:** **** Sep. 10, 2002**

(54) **BOTTLE**

(75) Inventor: **Luigi Scheida**, Downsvew (CA)

(73) Assignee: **Polybottle Group Limited**, Brampton (CA)

(**) Term: **14 Years**

(21) Appl. No.: **29/130,922**

(22) Filed: **Oct. 12, 2000**

(51) **LOC (7) Cl.** **09-01**

(52) **U.S. Cl.** **D9/528; D9/520**

(58) **Field of Search** D9/516, 520, 523-528,
D9/530-531, 543, 560, 563, 575; 215/381-384,
396, 398, 400

(56) **References Cited**

U.S. PATENT DOCUMENTS

D205,550 S	*	8/1966	Morgan	D9/528
D230,708 S	*	3/1974	Hutter et al.	D9/528
4,463,860 A	*	8/1984	Yoshino et al.	215/376
D306,557 S	*	3/1990	Peake-Atkins	D9/528
D347,387 S	*	5/1994	Bridger et al.	D9/520
D358,991 S	*	6/1995	Bridger et al.	D9/528

D377,759 S	*	2/1997	Hot	D9/520
D415,033 S	*	10/1999	Forecast et al.	D9/528
D429,644 S	*	8/2000	Hughes	D9/528

* cited by examiner

Primary Examiner—Raphael Barkai

Assistant Examiner—Carol Rademaker

(74) *Attorney, Agent, or Firm*—George A. Seaby

(57) **CLAIM**

The ornamental design for a bottle, as shown and described.

DESCRIPTION

FIG. 1 is a perspective view of the bottle from one side and one end;

FIG. 2 is a perspective view of the bottle from the other side and the other end thereof;

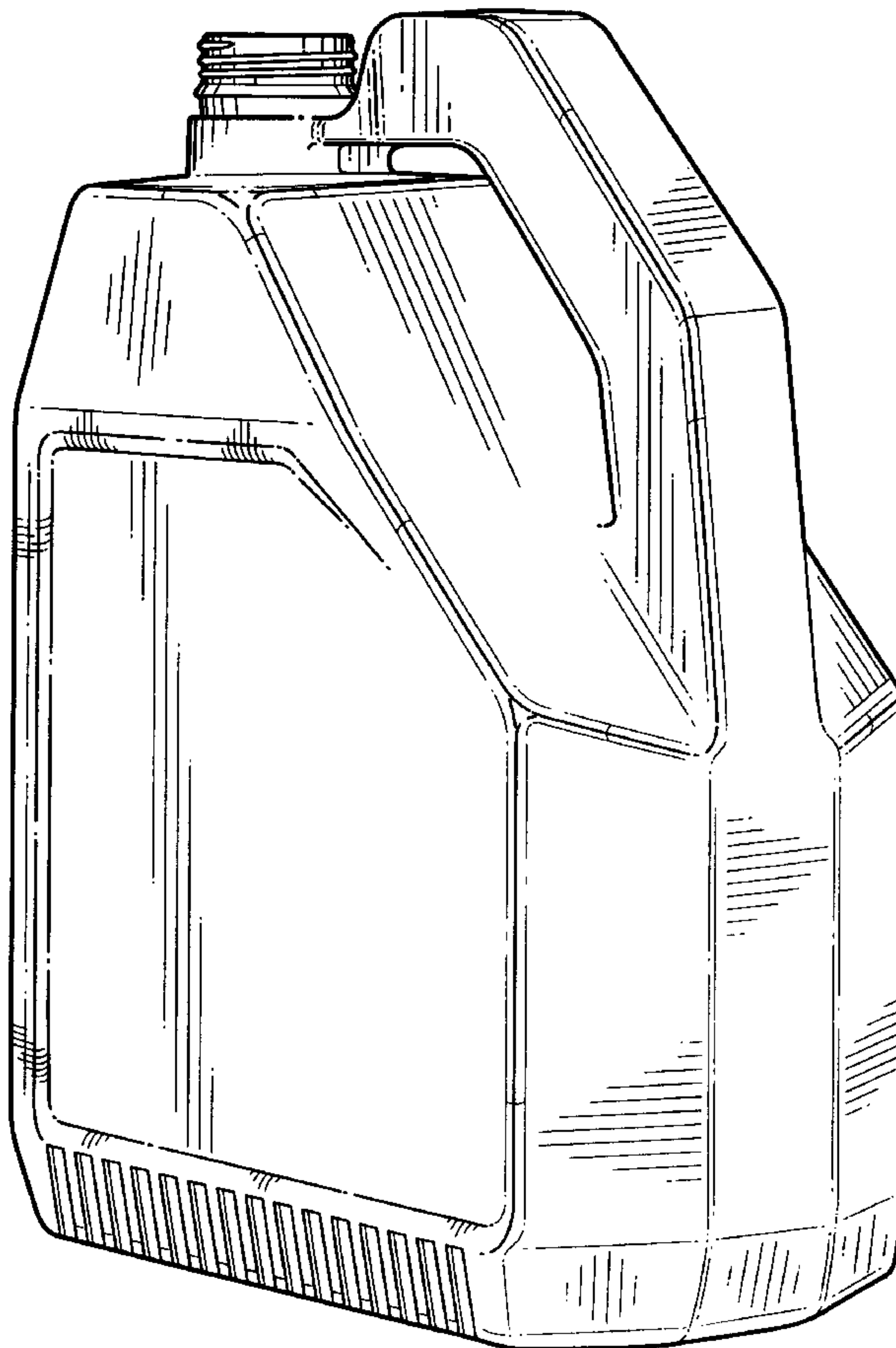
FIG. 3 is a top elevational view thereof;

FIG. 4 is a side elevational view of the bottle, the other side being the mirror image thereof;

FIG. 5 is an end elevational view of the bottle as seen from the right of FIG. 4; and,

FIG. 6 is an end elevational view of the bottle as seen from the left of FIG. 4.

1 Claim, 4 Drawing Sheets



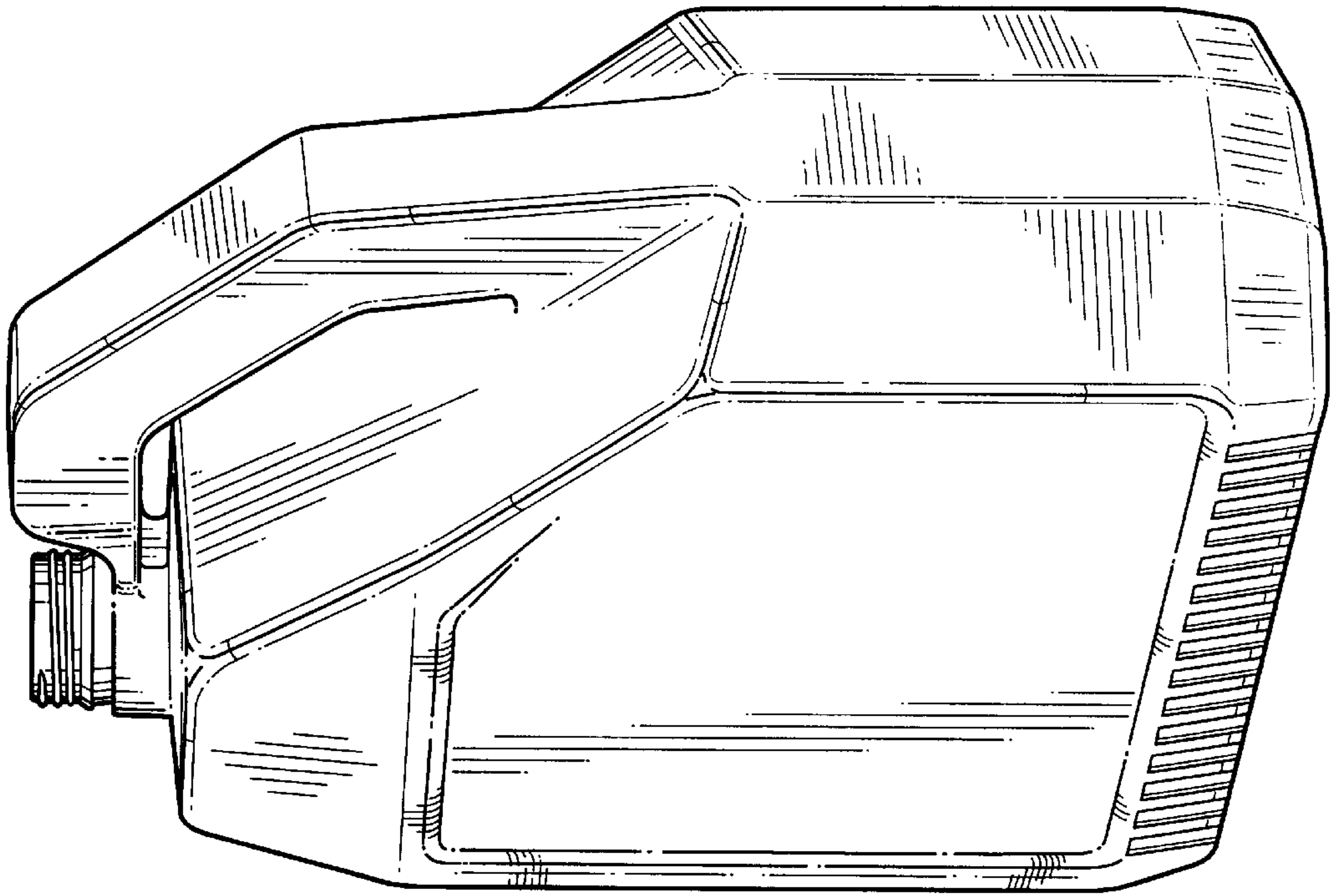


FIG. 2

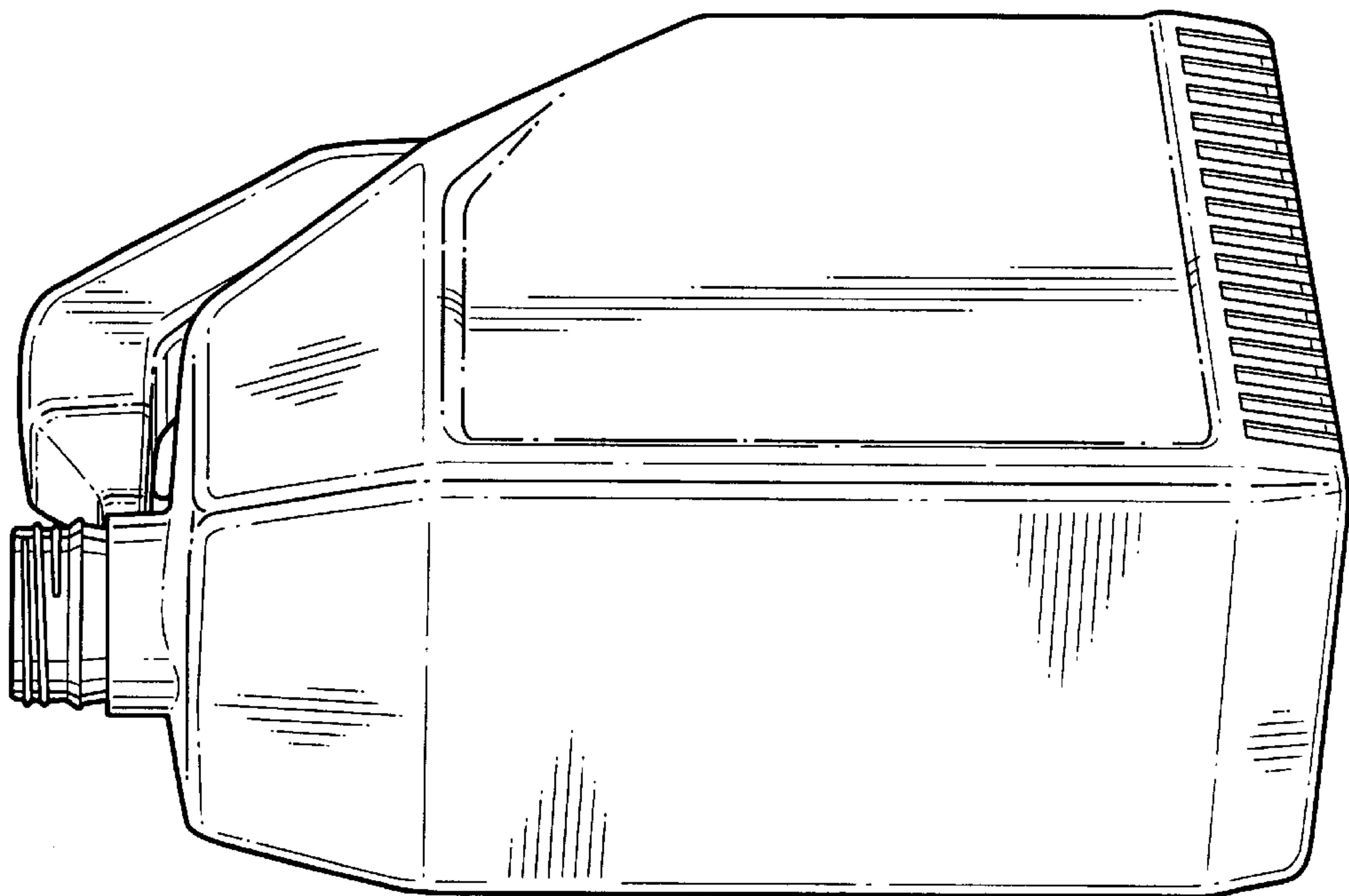


FIG. 1

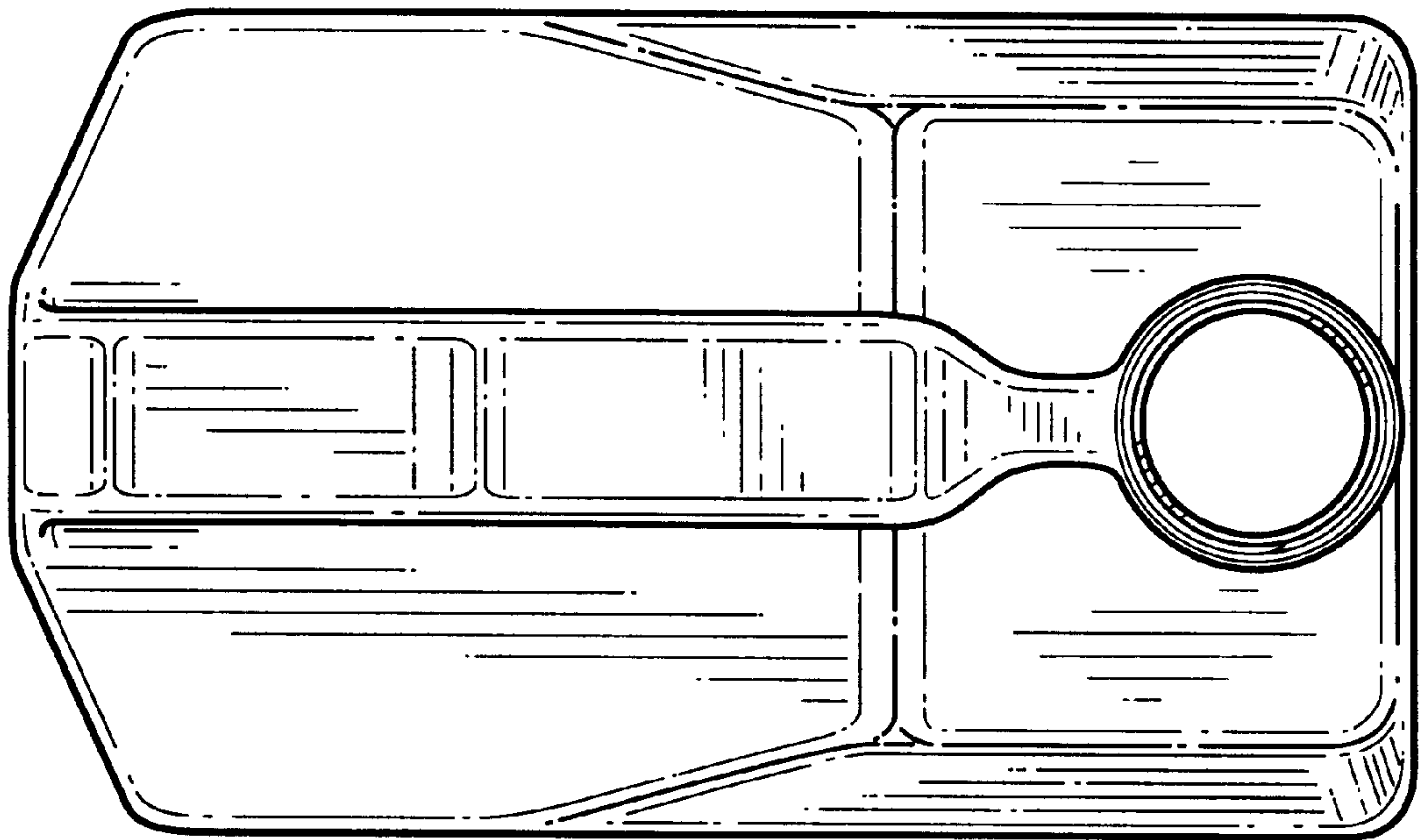


FIG. 3

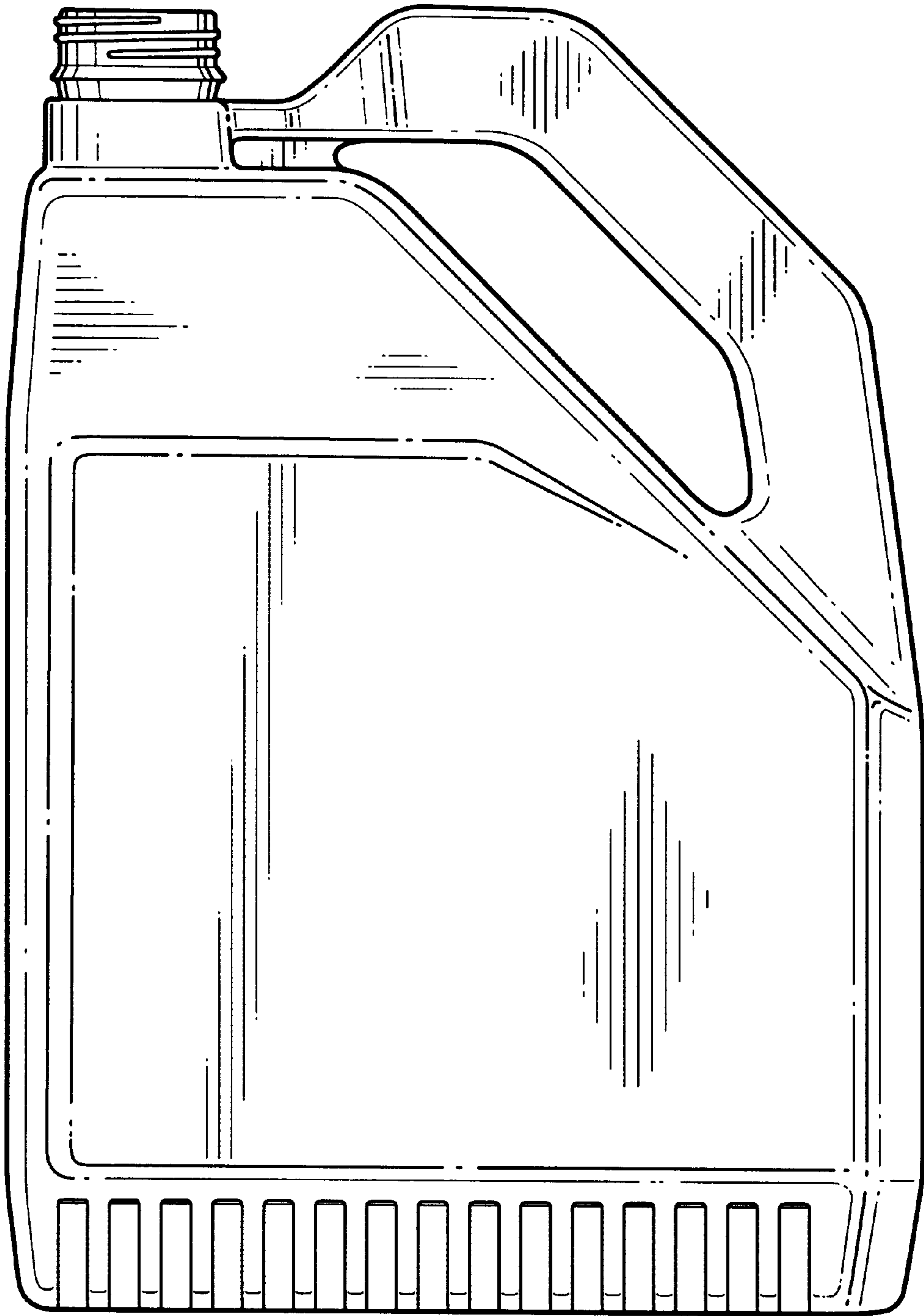


FIG. 4

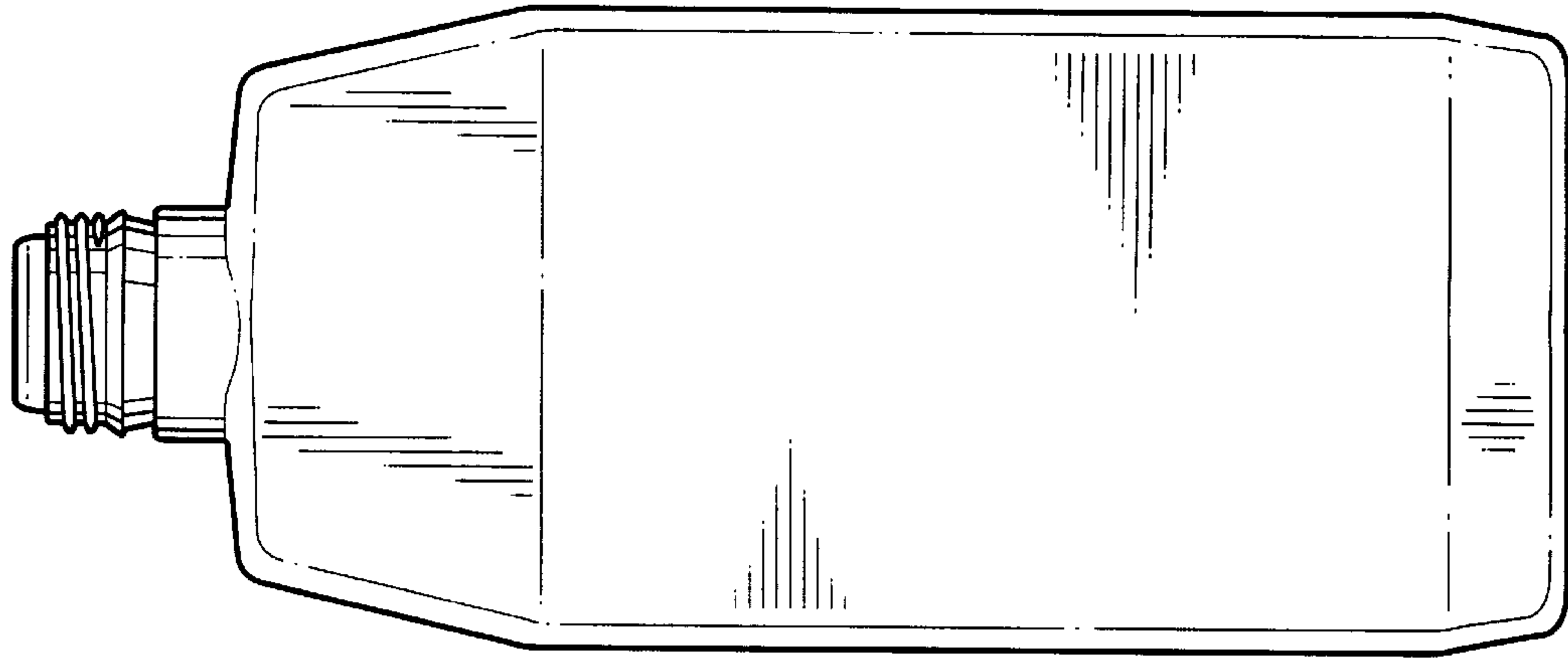


FIG. 6

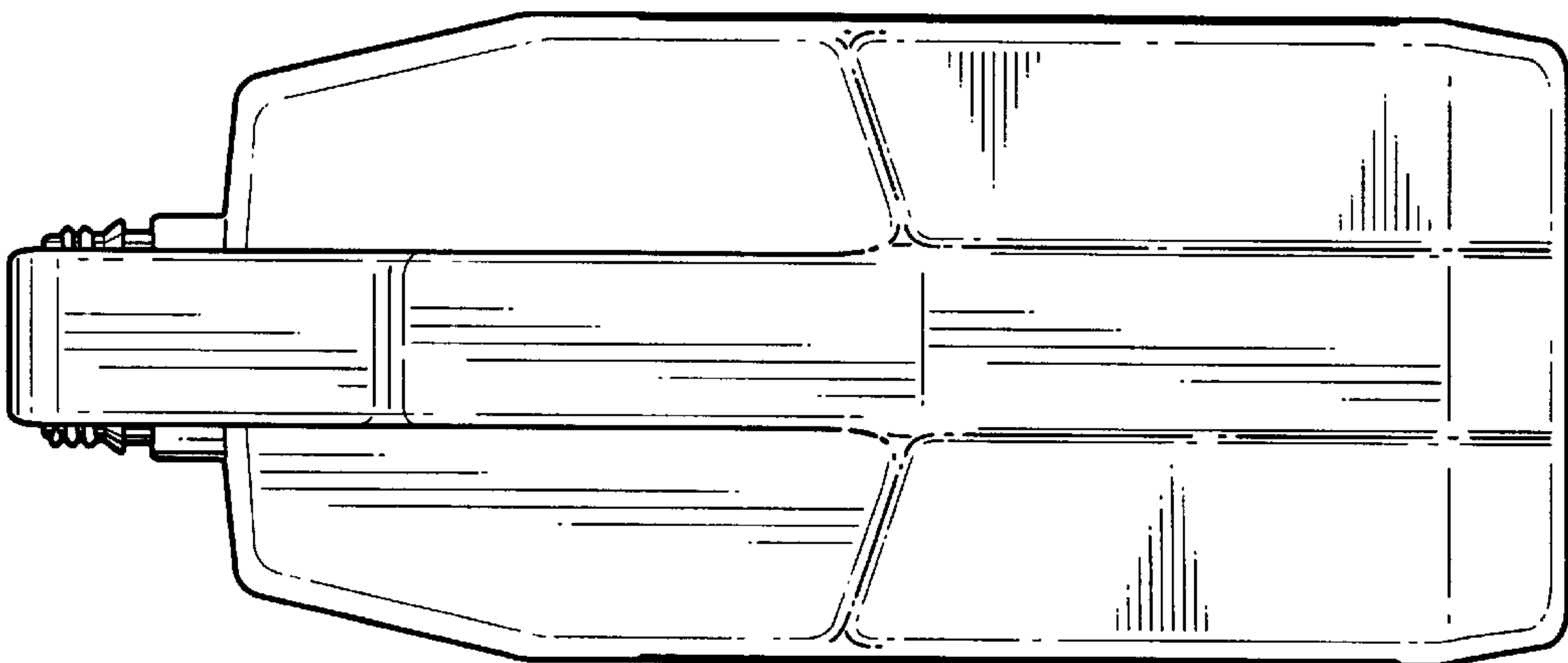


FIG. 5