



US00D462613S

(12) **United States Design Patent**
Bried et al.

(10) **Patent No.:** **US D462,613 S**

(45) **Date of Patent:** **** Sep. 10, 2002**

- (54) **OVAL CONTAINER WITH LID**
- (75) Inventors: **David K. Bried**, Rockford; **Philip M. Baerenwald**, Rockton, both of IL (US)
- (73) Assignee: **J.L. Clark, Inc.**, Rockford, IL (US)
- (**) Term: **14 Years**

4,361,250 A	11/1982	Foster	220/266
4,369,901 A	1/1983	Hidding	222/480
4,371,095 A	2/1983	Montgomery et al.	222/153
4,457,458 A	7/1984	Heinol	222/498
4,494,679 A	1/1985	Cleevely	222/151
D277,724 S	* 2/1985	Daenen et al.	D7/392

(List continued on next page.)

- (21) Appl. No.: **29/142,058**
- (22) Filed: **May 17, 2001**
- (51) **LOC (7) Cl.** **09-03**
- (52) **U.S. Cl.** **D9/428**
- (58) **Field of Search** D9/428, 432, 434,
D9/435, 447, 450; 206/37, 38, 235; 220/212,
252, 558, 810; 222/480, 556, 563, 572;
229/124

Primary Examiner—James Gandy
Assistant Examiner—Daniel Bui
 (74) *Attorney, Agent, or Firm*—Leydig, Voit & Mayer, LTD

(57) **CLAIM**

We claim the ornamental design for the oval container with lid, as shown and described.

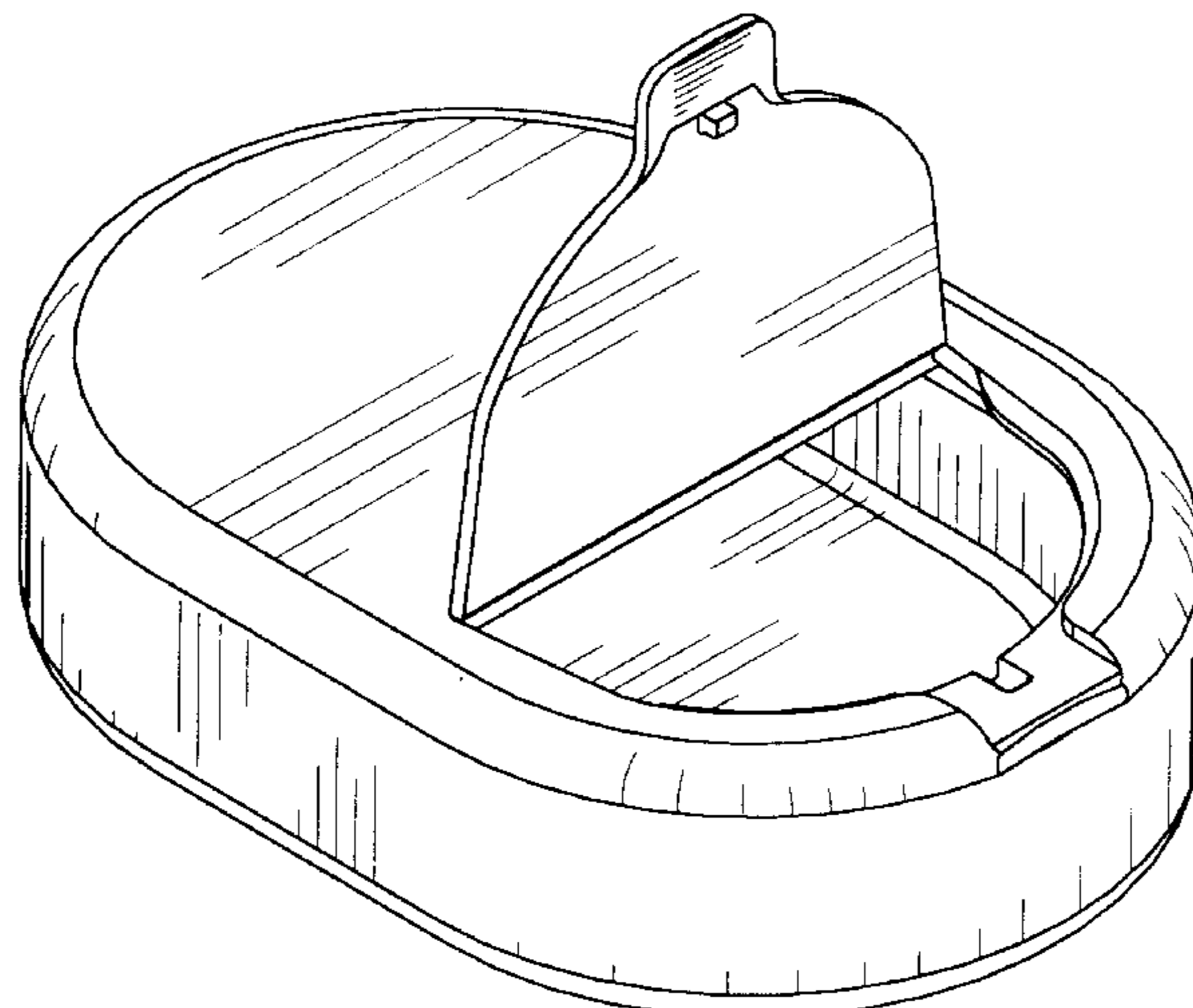
DESCRIPTION

FIG. 1 is a perspective view of the container and lid having the door in the closed position;
 FIG. 2 is a perspective view similar to FIG. 1, but with the door in an open position;
 FIG. 3 is a top view of the container and lid as shown in FIG. 1;
 FIG. 4 is a top view of the container and lid as shown in FIG. 2;
 FIG. 5 is a reduced front view of the container and lid as shown in FIG. 1;
 FIG. 6 is a reduced rear view of the container and lid as shown in FIG. 1;
 FIG. 7 is a reduced front view of the container and lid as shown in FIG. 2;
 FIG. 8 is a reduced bottom view of the container and lid as shown in FIG. 1;
 FIG. 9 is a reduced side view of the container and lid as shown in FIG. 1, taken from the right;
 FIG. 10 is a reduced side view of the container and lid as shown in FIG. 2, taken from the right;
 FIG. 11 is a reduced cross-sectional view of the container and lid as shown in FIG. 10 taken along line 11-11 in FIG. 4.

(56) **References Cited**
 U.S. PATENT DOCUMENTS

1,354,211 A	*	1/1920	Reed	
3,217,949 A		11/1965	Davis	222/480
3,255,928 A		6/1966	Foster	222/153
3,262,606 A	*	7/1966	Waterman	222/153
3,323,671 A		6/1967	Minarik, Jr. et al.	215/40
3,370,757 A		2/1968	Foster	222/153
3,412,890 A		11/1968	Rich	220/30
3,419,198 A		12/1968	Pettersen	222/541
3,836,056 A		9/1974	Pehr	222/480
3,845,872 A		11/1974	Towns et al.	215/9
3,850,350 A		11/1974	Towns et al.	222/556
4,010,875 A		3/1977	Babiol	222/517
4,059,201 A		11/1977	Foster	220/258
4,127,221 A		11/1978	Vere	222/153
4,158,902 A		6/1979	Chernack et al.	16/150
4,168,032 A		9/1979	Sneider	239/327
4,209,100 A		6/1980	Uhlig	215/216
4,220,248 A		9/1980	Wilson, et al.	215/235
4,223,814 A		9/1980	Sneider	222/565
4,244,495 A		1/1981	Lorscheid et al.	222/153
4,261,480 A		4/1981	Fuss	221/304
4,291,818 A		9/1981	Nozawa et al.	220/335

1 Claim, 4 Drawing Sheets



US D462,613 S

Page 2

U.S. PATENT DOCUMENTS

4,504,009 A	3/1985	Boik et al.	229/5.5	5,339,993 A	8/1994	Groya et al.	222/153
D278,602 S	4/1985	Rosenstein	D9/449	D352,899 S	11/1994	Molo	D9/447
4,558,806 A	12/1985	Shabram, Sr. et al.	222/556	D355,121 S	2/1995	Kohl	D9/447
4,580,687 A	4/1986	Lewis	215/237	D355,846 S	2/1995	Denney et al.	D9/449
4,736,858 A	4/1988	Shastal	215/236	D363,222 S	10/1995	Lay	D9/447
4,776,501 A	10/1988	Ostrowsky	222/517	D363,671 S	10/1995	Mueller	D9/447
4,898,292 A	2/1990	VerWeyst et al.	215/237	5,499,736 A	3/1996	Kohl	220/254
4,911,337 A	3/1990	Rosenthal	222/498	D369,942 S	5/1996	Ahern, Jr.	D7/391
4,923,085 A	5/1990	Lillelund et al.	220/282	5,531,347 A	7/1996	Goulding	220/256
4,936,494 A	6/1990	Weidman	222/480	5,611,451 A	3/1997	Mosior et al.	220/346
D314,708 S	2/1991	DeCoster	D9/449	5,706,981 A	1/1998	Nobakht	222/132
D321,137 S	10/1991	Hofmann et al.	D9/447	5,718,347 A	2/1998	Walker et al.	215/209
5,082,114 A	1/1992	Bunin	206/539	5,730,310 A	3/1998	Yoshihara	220/335
D328,711 S	8/1992	Deflander	D9/524	5,782,388 A	7/1998	De Nervo	222/546
5,139,181 A	8/1992	VerWeyst	222/480	5,799,838 A	9/1998	Miller	222/480
D329,604 S	9/1992	Kuczer	D9/449	D407,976 S	4/1999	Ekkert	D9/449
5,163,559 A	11/1992	Bunin	206/532	5,927,535 A	7/1999	Goth	220/254
D331,877 S	12/1992	Robichaud et al.	D9/449	D426,772 S	6/2000	Kahl	D9/449
5,176,277 A	1/1993	Schuermann	220/253	6,102,257 A	8/2000	Goyet	222/498
D335,817 S	5/1993	Greubel	D9/300	D431,458 S	10/2000	Bried et al.	D9/339
D339,290 S	9/1993	Close	D9/447	D448,295 S	* 9/2001	Mozes	D9/440
D340,188 S	10/1993	Forsyth	D9/449	D448,296 S	* 9/2001	Bried et al.	D9/449
5,273,177 A	12/1993	Campbell	220/281	D448,668 S	* 10/2001	Baerenwald et al.	D9/449
5,285,917 A	2/1994	Hofmann	220/212.5				

* cited by examiner

FIG. 2

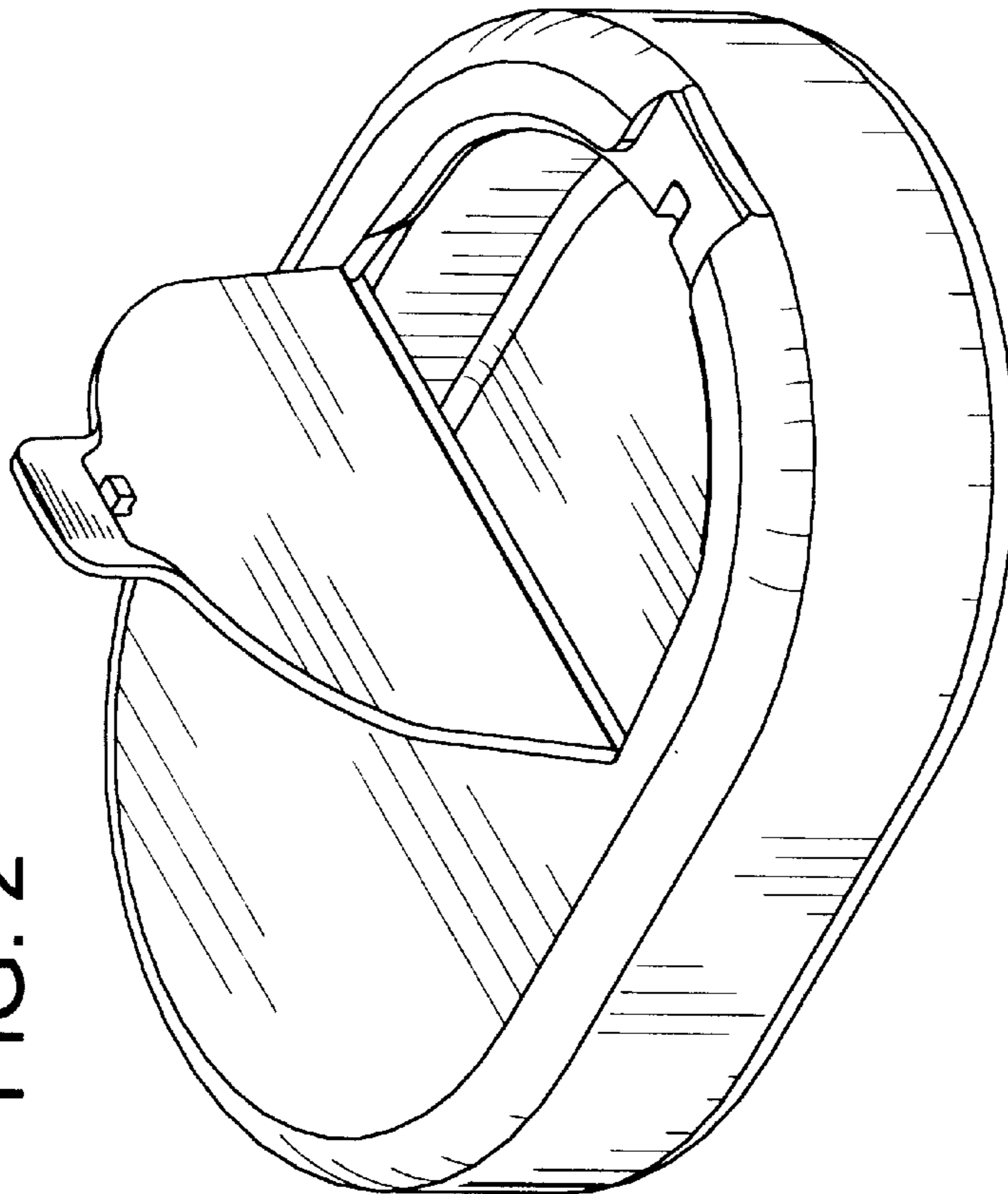


FIG. 1

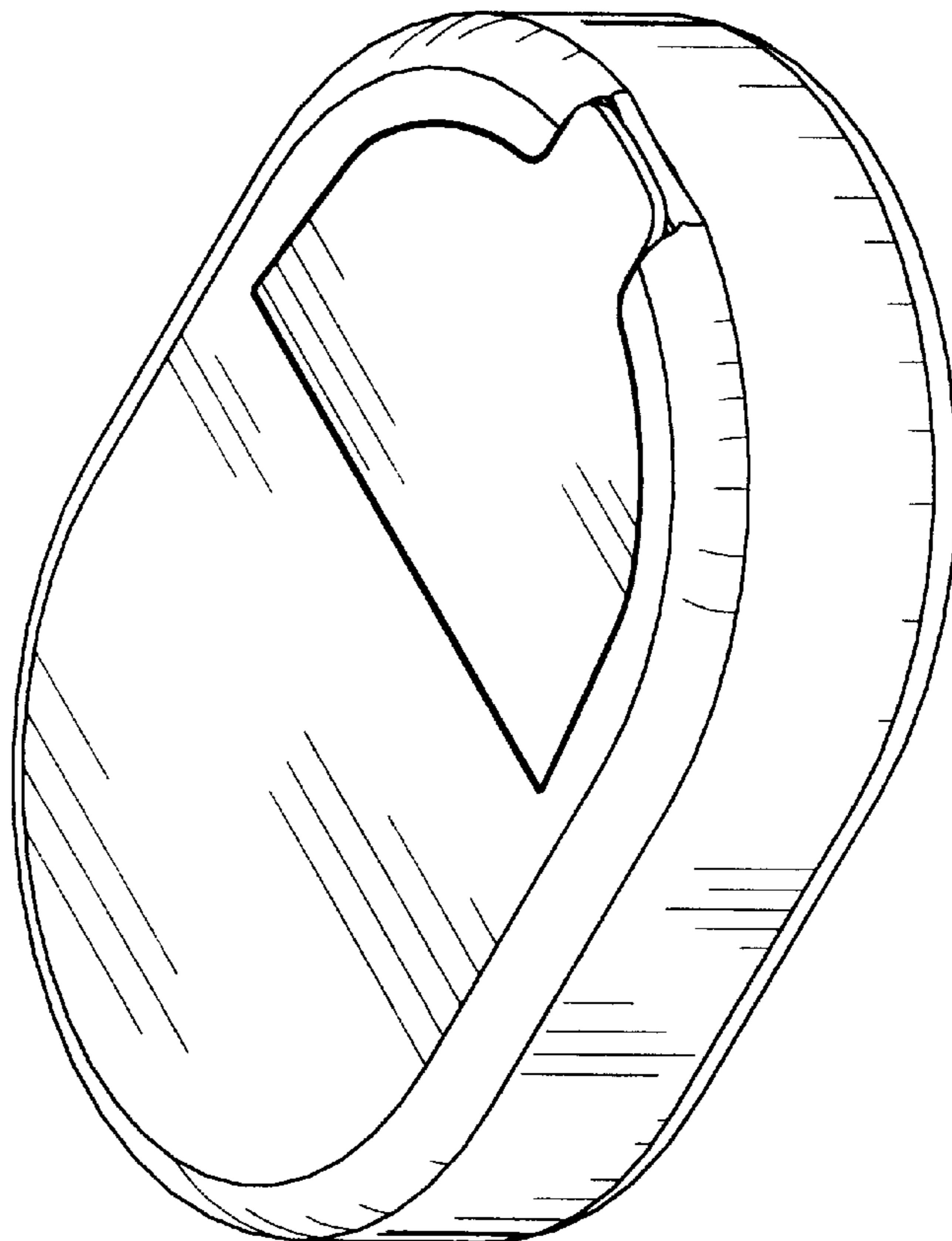


FIG. 3

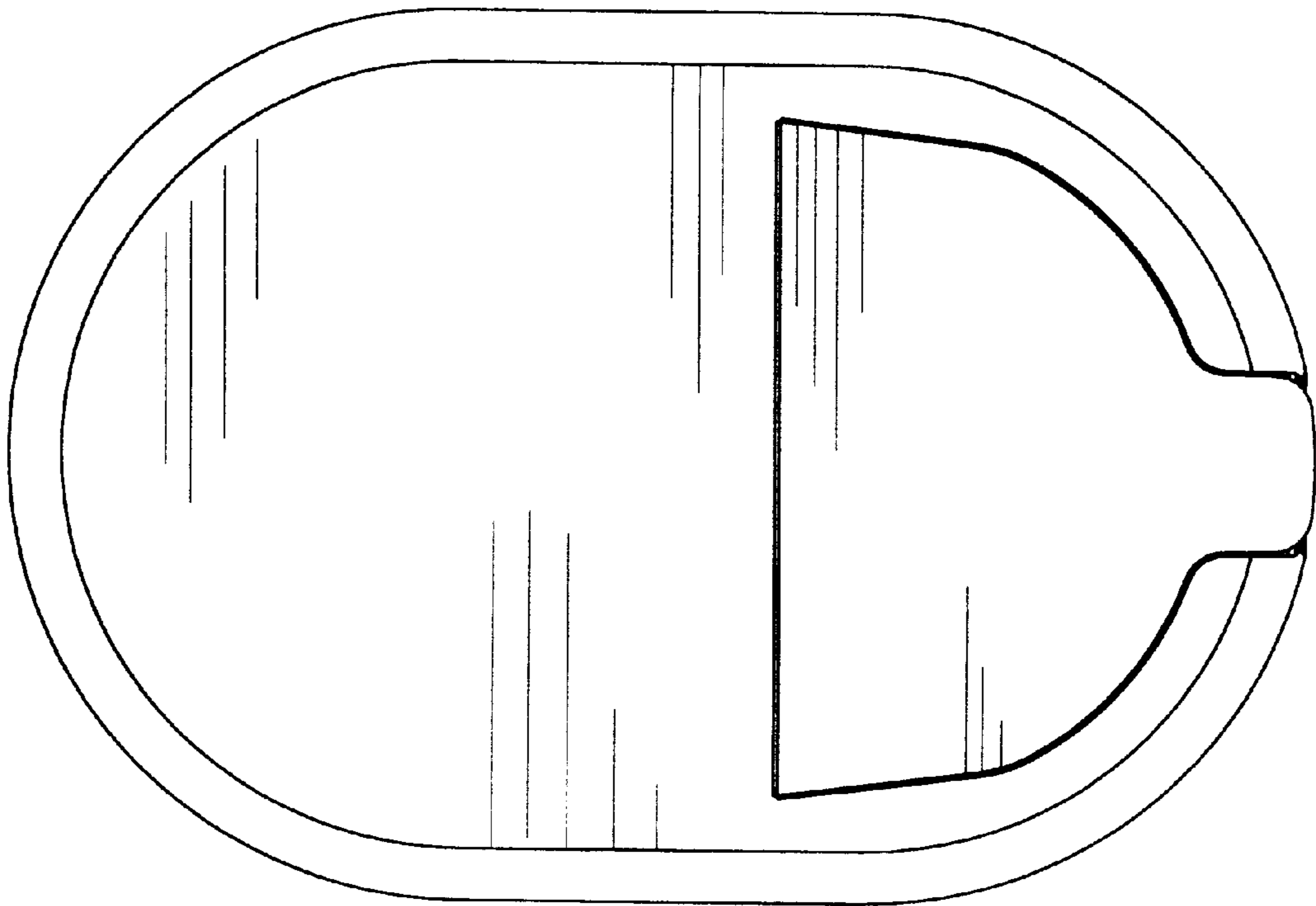
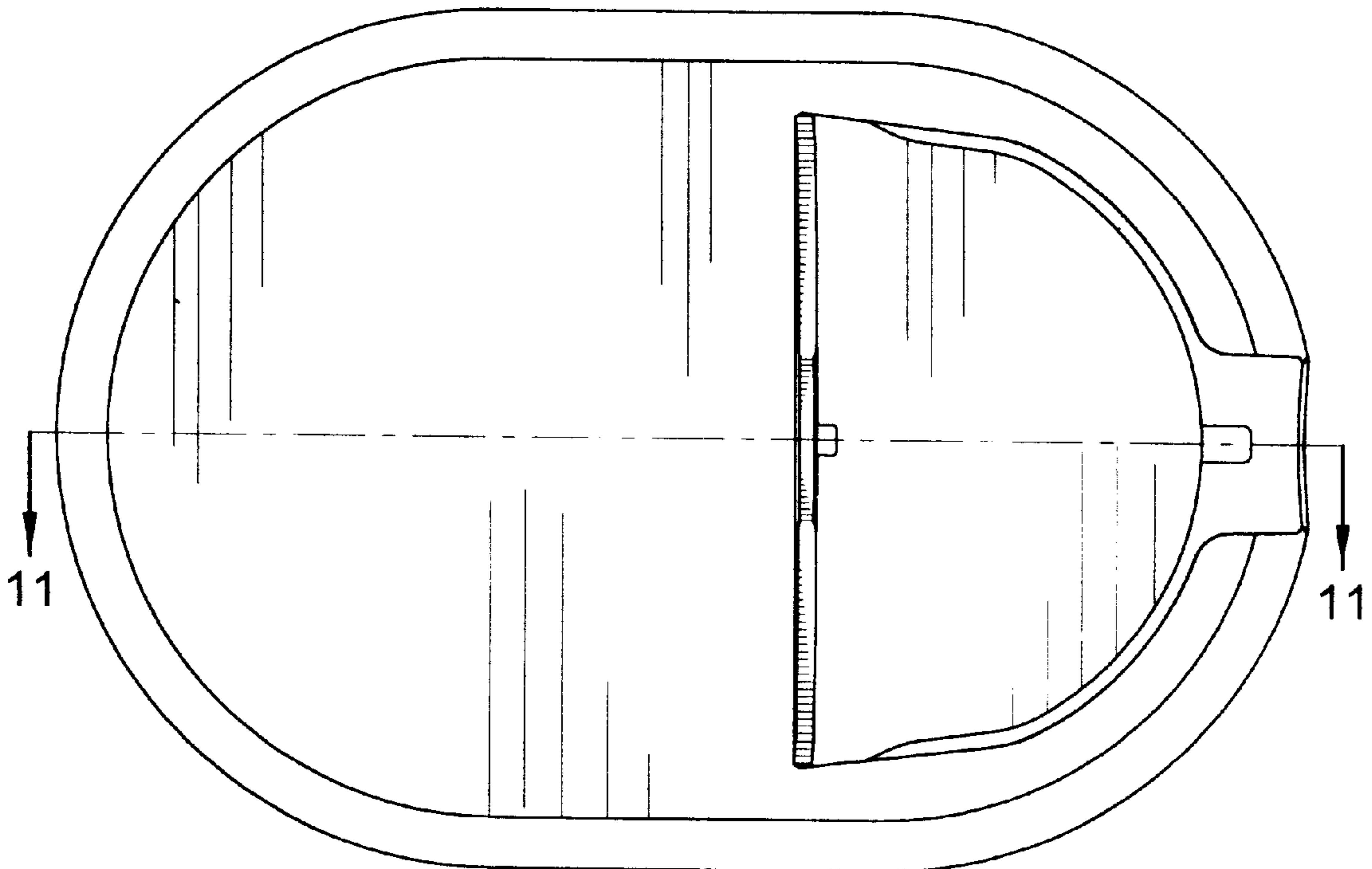


FIG. 4



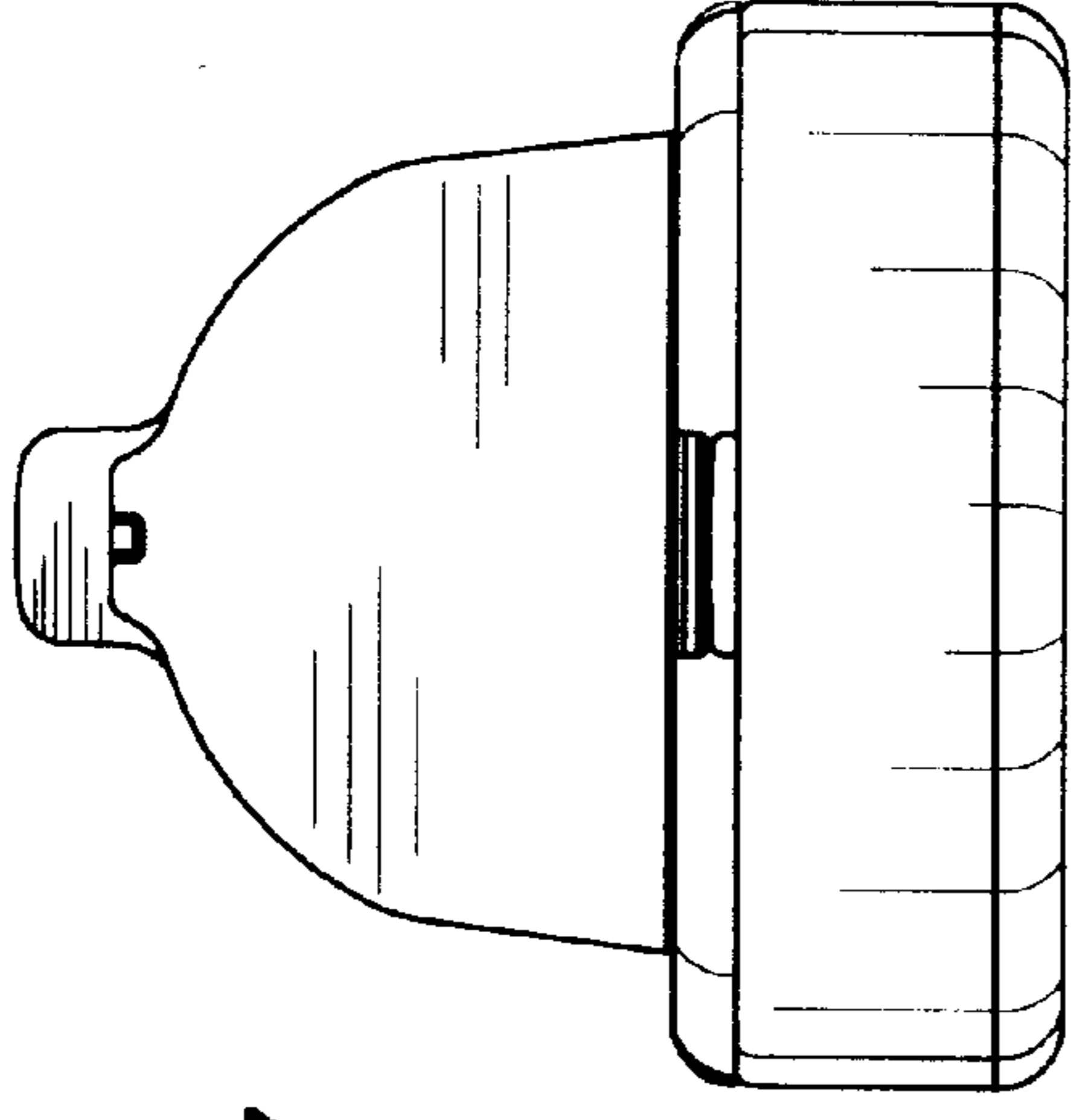


FIG. 7

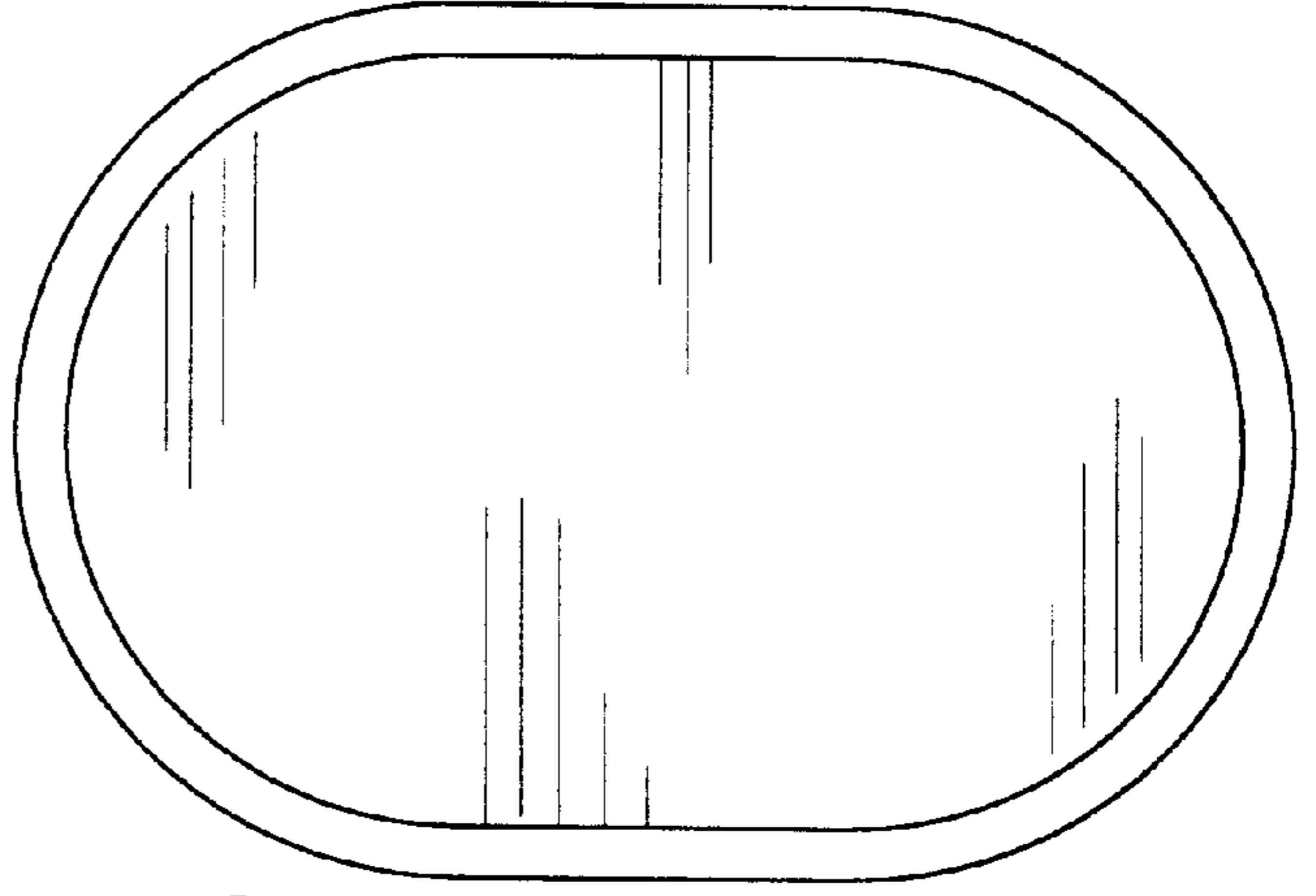


FIG. 8

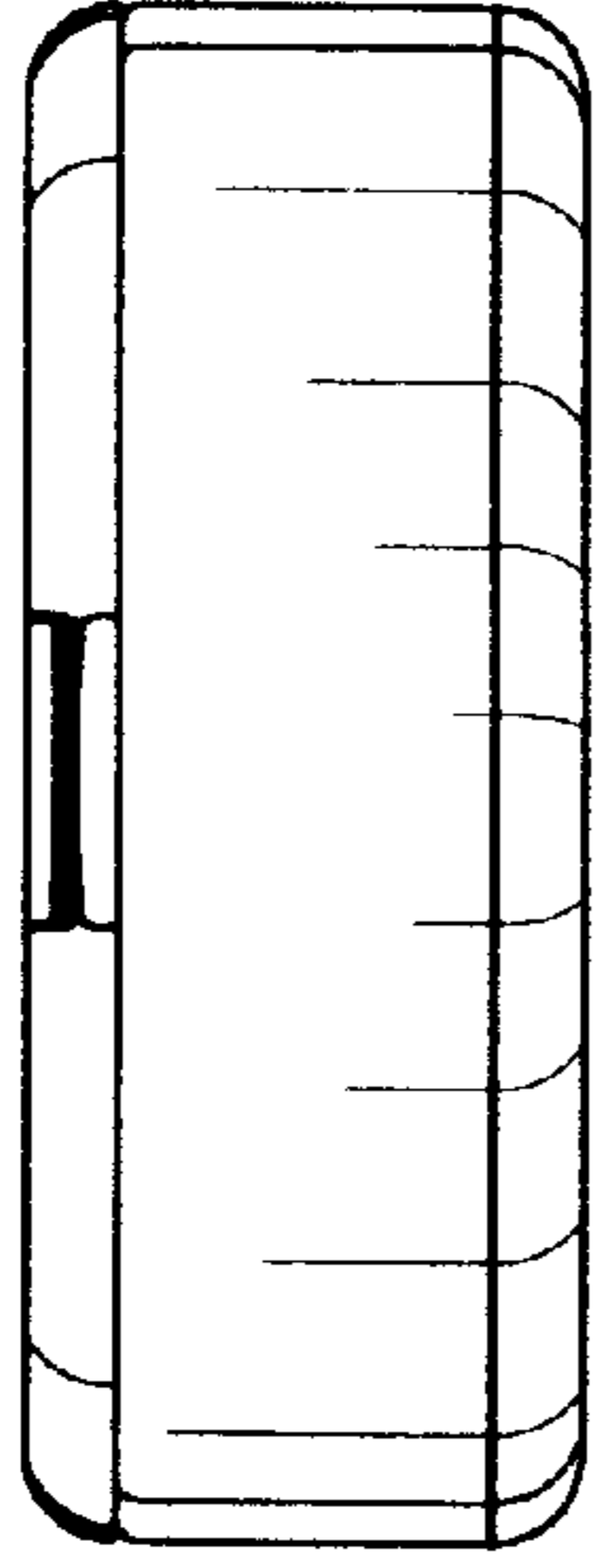


FIG. 5

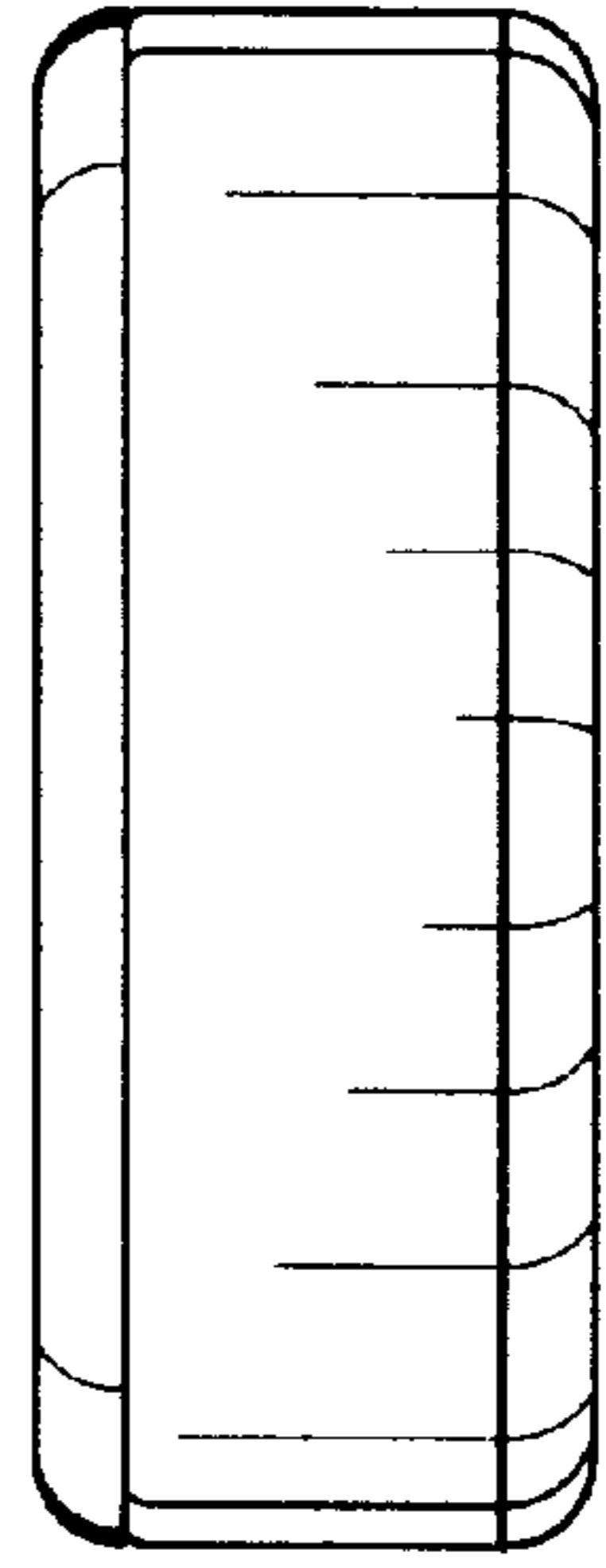


FIG. 6

FIG. 9

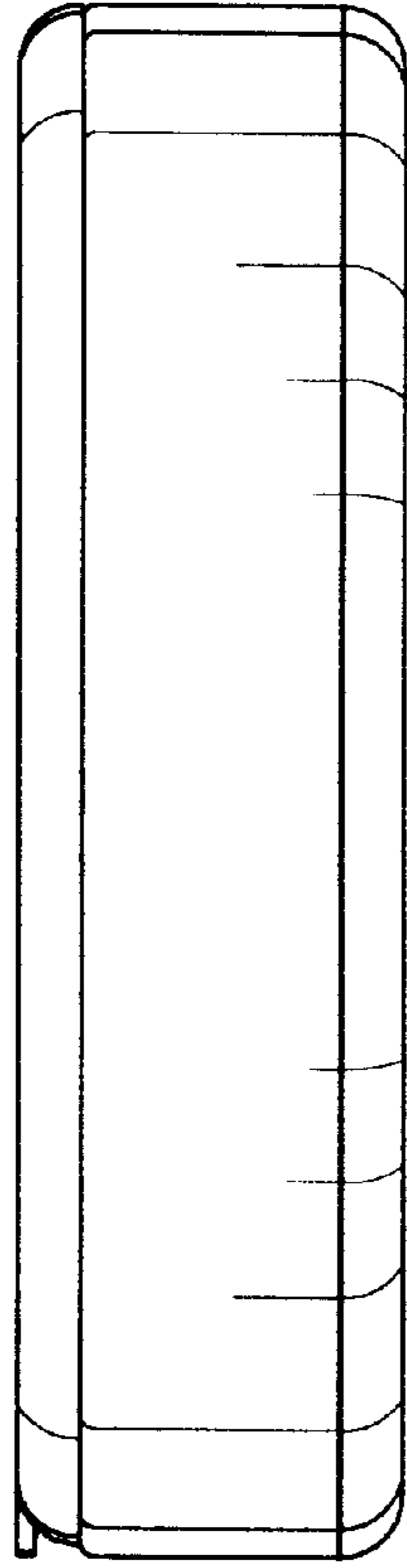


FIG. 11

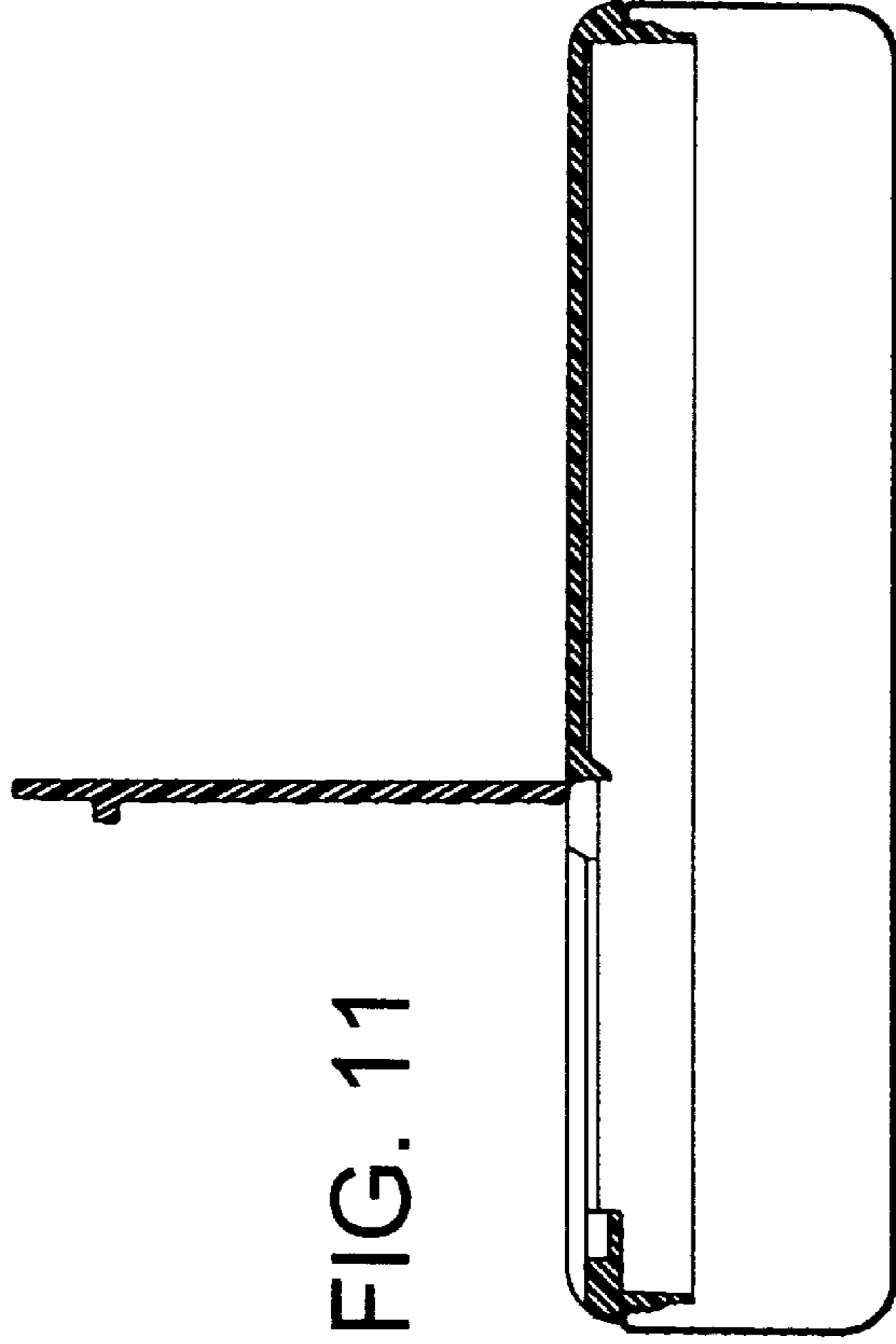


FIG. 10

