



US00D462612S

(12) **United States Design Patent**
Milan

(10) **Patent No.:** **US D462,612 S**

(45) **Date of Patent:** **** Sep. 10, 2002**

(54) **PACKAGE FOR COMPUTER CABLE**

(76) Inventor: **Henry Milan**, 1709 Apple Ridge Ct.,
Rochester Hills, MI (US) 48306

(**) Term: **14 Years**

(21) Appl. No.: **29/154,362**

(22) Filed: **Nov. 13, 2001**

(51) **LOC (7) Cl.** **09-03**

(52) **U.S. Cl.** **D9/415**

(58) **Field of Search** D9/415, 418, 457,
D9/414; 206/461-471, 806, 495, 702, 701,
710, 711

D405,367 S	2/1999	Lee	
D405,368 S	2/1999	Lee	
D405,688 S	2/1999	Lee	
D406,753 S	3/1999	Lee	
D408,280 S	* 4/1999	Manley et al. D9/415
D412,843 S	8/1999	Melzer	
D414,410 S	9/1999	Klein	
D418,408 S	1/2000	Humphrey	
6,026,961 A	* 2/2000	McCarthy et al. 206/702
D427,061 S	6/2000	Niksich	
D429,149 S	8/2000	Humphrey	
D431,459 S	10/2000	Lee	
D433,325 S	11/2000	Humphrey	
6,163,465 A	* 12/2000	Tanner et al. 206/702
D447,408 S	9/2001	Humphrey	

* cited by examiner

(56) **References Cited**

U.S. PATENT DOCUMENTS

3,434,591 A	*	3/1969	Hanscom	242/160.4
4,285,157 A	*	8/1981	Lambert	206/579
D261,988 S		11/1981	Nichols		
D285,905 S		9/1986	Segal		
4,613,038 A	*	9/1986	Kirk	206/461
4,637,516 A	*	1/1987	De Roure	206/461
D306,561 S	*	3/1990	Lee	D9/415
D328,249 S		7/1992	Lee		
D332,216 S		1/1993	Lee		
D332,398 S		1/1993	Lee		
D349,239 S		8/1994	Steenland		
D351,342 S		10/1994	Lee		
D370,626 S	*	6/1996	Pass et al.	D9/415
D372,193 S		7/1996	Lee		
D380,963 S		7/1997	Lee		
D384,579 S		10/1997	Lee		
D389,402 S		1/1998	Lee		
5,738,209 A	*	4/1998	Burr et al.	206/702
D396,632 S		8/1998	Lee		
D400,096 S		10/1998	Lee		

Primary Examiner—Prabhakar Deshmukh

(74) *Attorney, Agent, or Firm*—Marshall & Melhorn, LLC

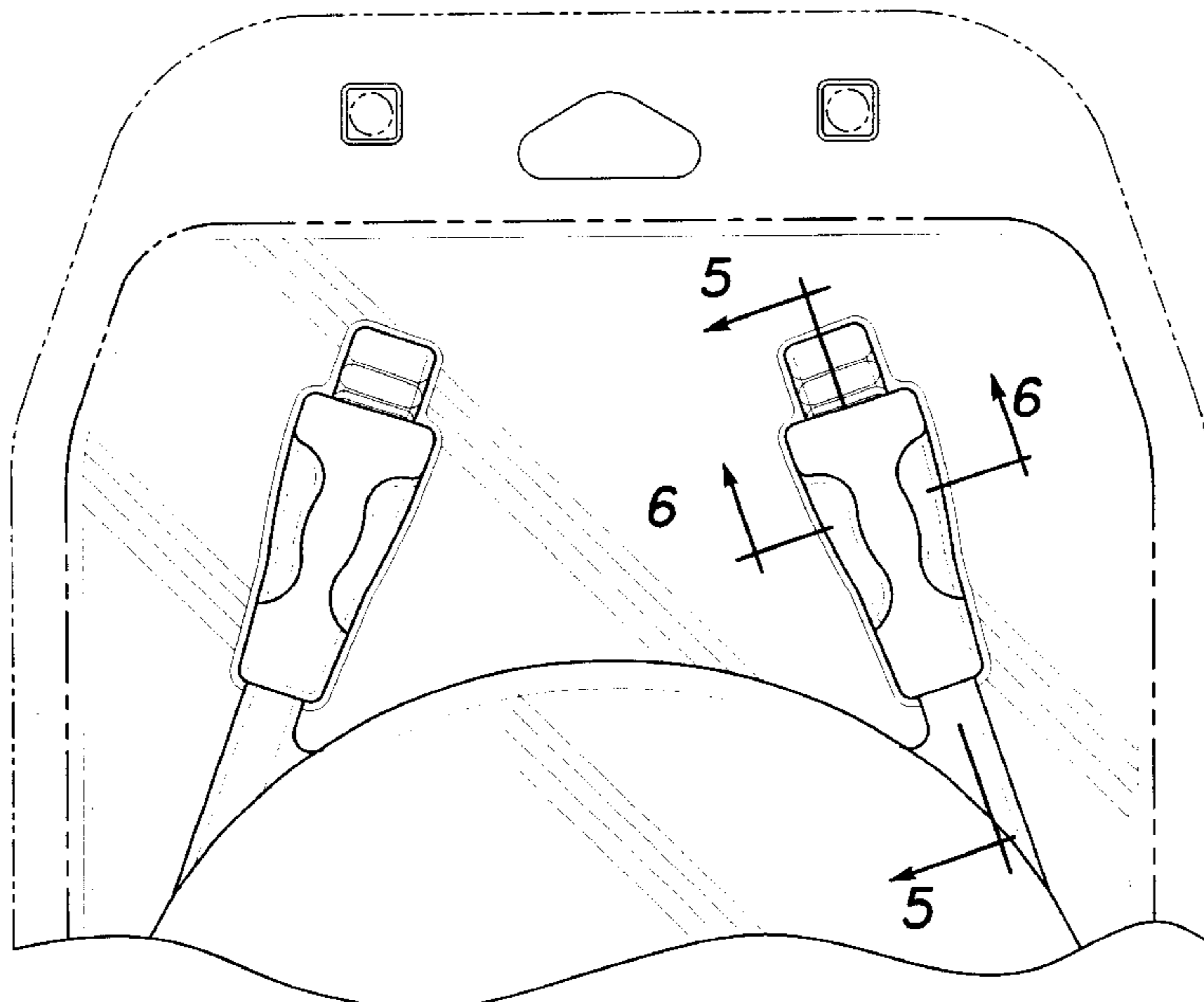
(57) **CLAIM**

The ornamental design for a package for computer cable, as shown and described.

DESCRIPTION

FIG. 1 is a fragmentary top plan view of a package for computer cable showing my new design;
 FIG. 2 is a fragmentary right side elevational view thereof;
 FIG. 3 is a fragmentary front elevational view thereof;
 FIG. 4 is a fragmentary rear elevational view thereof;
 FIG. 5 is a sectional view taken along line 5—5 of FIG. 1;
 and,
 FIG. 6 is a sectional view taken along line 6—6 of FIG. 1.
 The broken lines are for illustrative purpose only and form no part of the claimed design.

1 Claim, 3 Drawing Sheets



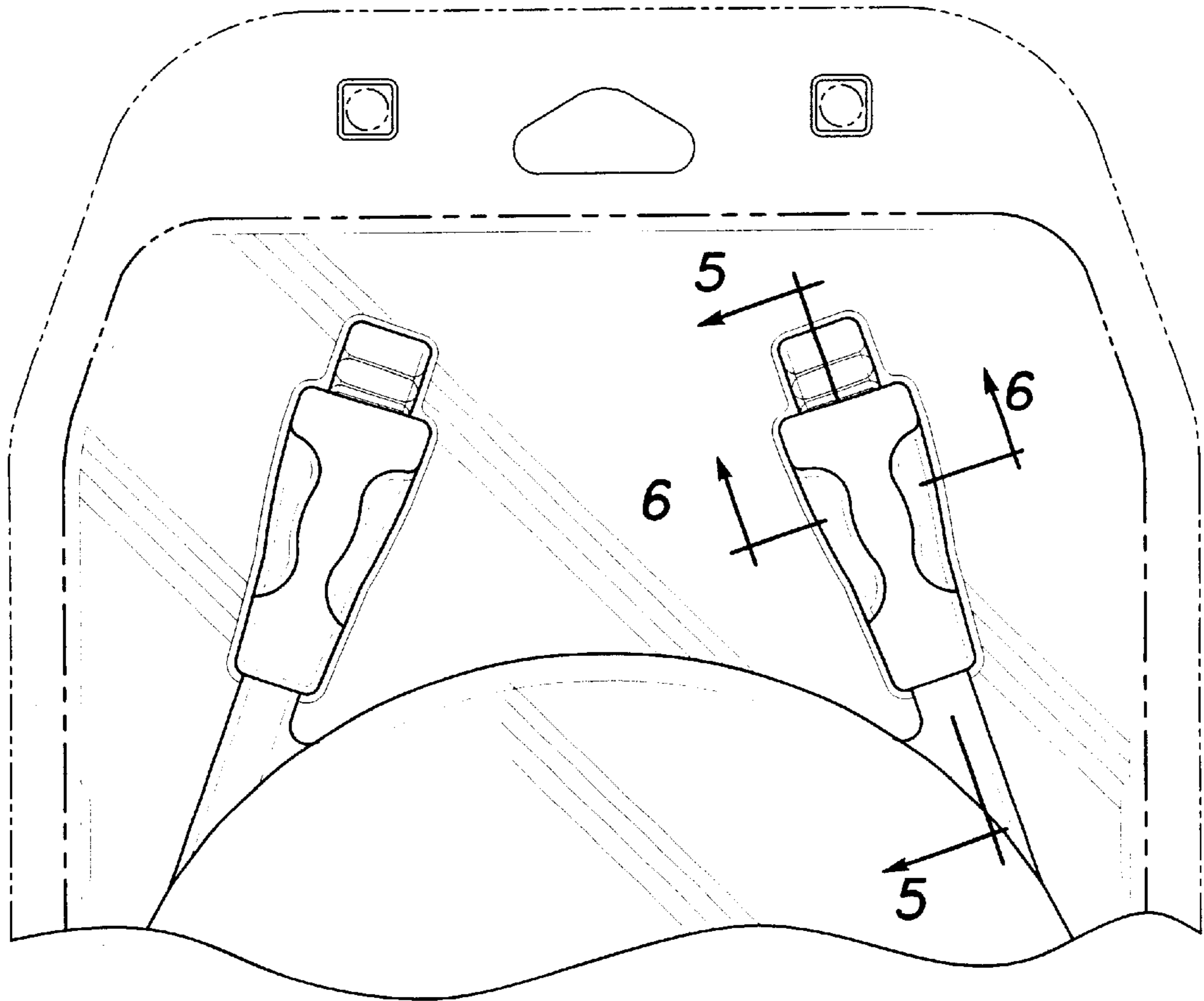


Fig-1

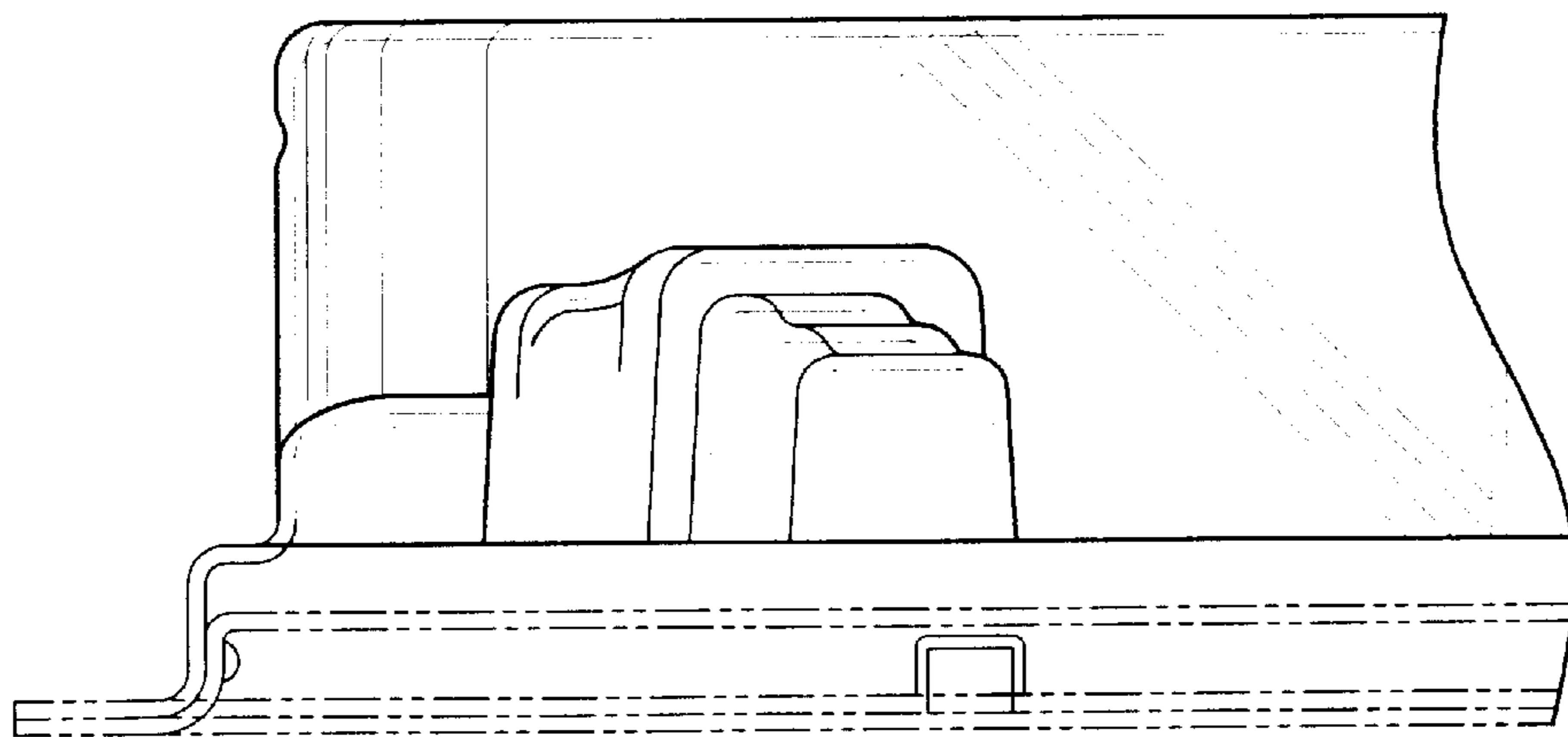


Fig-2

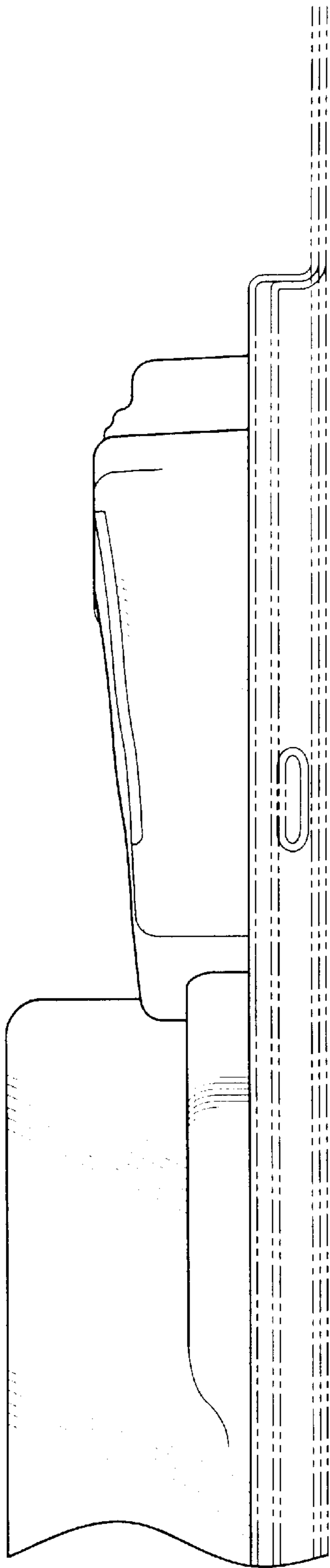


Fig-3

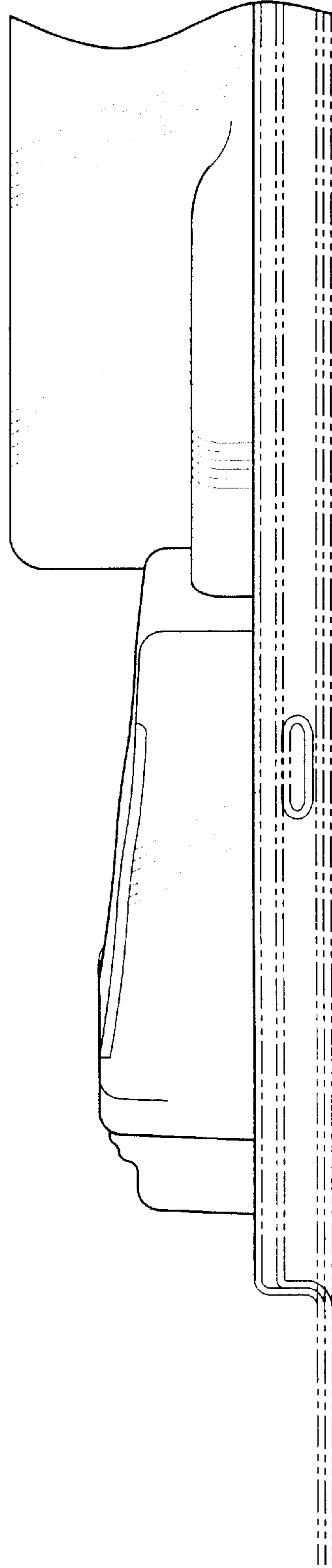


Fig-4

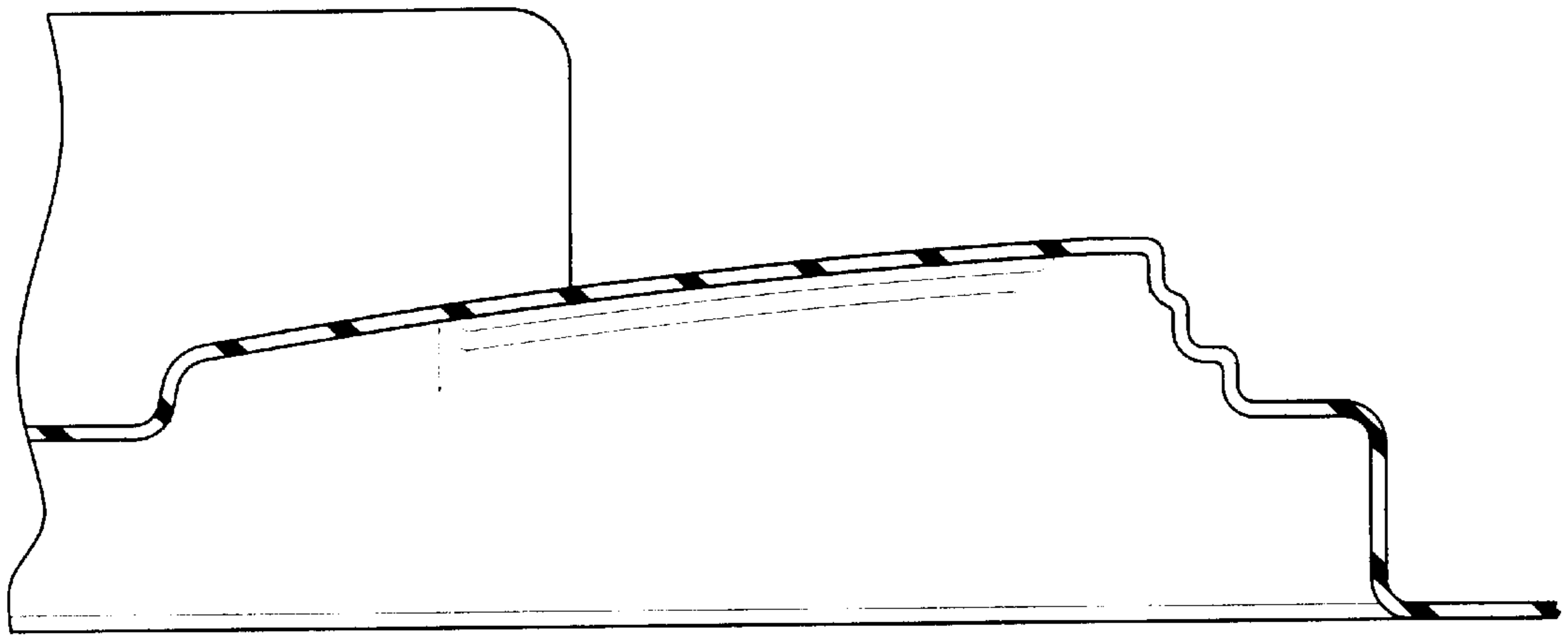


Fig-5

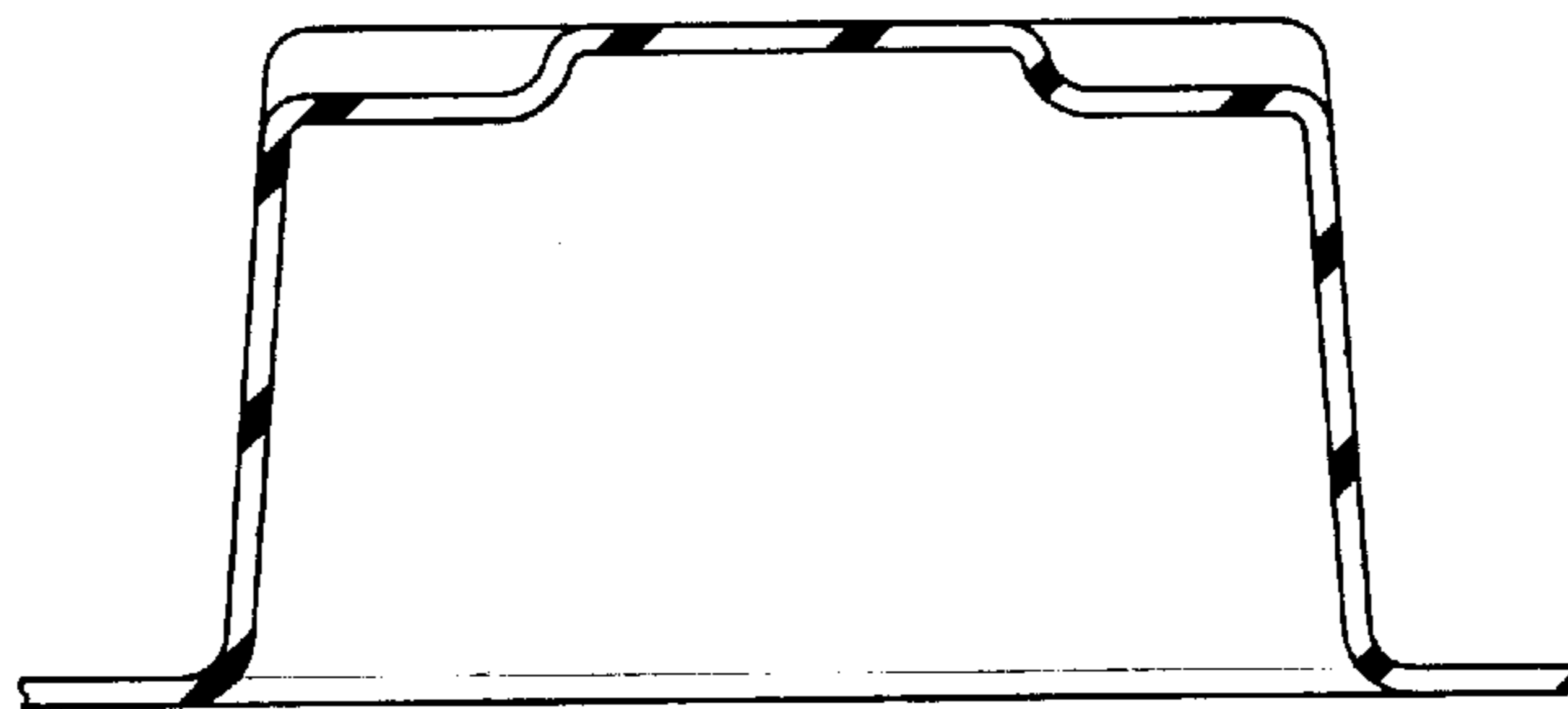


Fig-6