



US00D462607S

(12) **United States Design Patent**  
**Alcone**

(10) **Patent No.:**

**US D462,607 S**

(45) **Date of Patent:**

**\*\* Sep. 10, 2002**

(54) **LOCKING HEADER STUD**

(76) Inventor: **Jerry M. Alcone**, 1423 Los Tomases  
Dr. NW., Albuquerque, NM (US) 87102

(\*\*) Term: **14 Years**

(21) Appl. No.: **29/132,582**

(22) Filed: **Nov. 10, 2000**

(51) **LOC (7) Cl.** ..... **08-08**

(52) **U.S. Cl.** ..... **D8/387; D8/387**

(58) **Field of Search** ..... **D8/382, 386, 387,**  
**D8/397; 411/513-516, 352, 945, 320**

(56) **References Cited**

**U.S. PATENT DOCUMENTS**

|           |   |           |              |              |
|-----------|---|-----------|--------------|--------------|
| 1,105,606 | A | 8/1914    | Beach        |              |
| 1,119,613 | A | 12/1914   | Juzek        |              |
| 2,355,901 | A | 8/1944    | Beede        |              |
| 2,391,140 | A | 12/1945   | Dilley       |              |
| 3,602,284 | A | 8/1971    | Smith        |              |
| 3,709,512 | A | 1/1973    | Albertson    |              |
| D319,574  | S | 9/1991    | Gallagher    |              |
| 5,518,333 | A | 5/1996    | Cienkus, Jr. |              |
| D378,052  | S | 2/1997    | Perreault    |              |
| D433,928  | S | * 11/2000 | Alcone       | ..... D8/382 |

\* cited by examiner

*Primary Examiner*—Alan P. Douglas

*Assistant Examiner*—Clare E. Heflin

(74) *Attorney, Agent, or Firm*—Bernhard Kreten

(57) **CLAIM**

The ornamental design for a locking header stud, as shown and described.

**DESCRIPTION**

FIG. 1 is a perspective view of a locking header stud showing my new design.

FIG. 2 is a top view thereof.

FIG. 3 is a side view thereof.

FIG. 4 is a rear view thereof.

FIG. 5 is an exploded parts view thereof.

FIG. 6 is a top view of the stud and bolt shown separately for clarity of illustration.

FIG. 7 is a side view thereof.

FIG. 8 is a front view thereof.

FIG. 9 is a rear view thereof.

FIG. 10 is an opposite side view thereof.

FIG. 11 is a bottom view of that which is shown in FIG. 6.

FIG. 12 is a top view of the washer shown separately for clarity of illustration.

FIG. 13 is a side view thereof.

FIG. 14 is a front view thereof.

FIG. 15 is an opposite side view thereof.

FIG. 16 is a rear view thereof.

FIG. 17 is a bottom view thereof.

FIG. 18 is a top view of the pin shown separately for clarity of illustration.

FIG. 19 is an end view thereof.

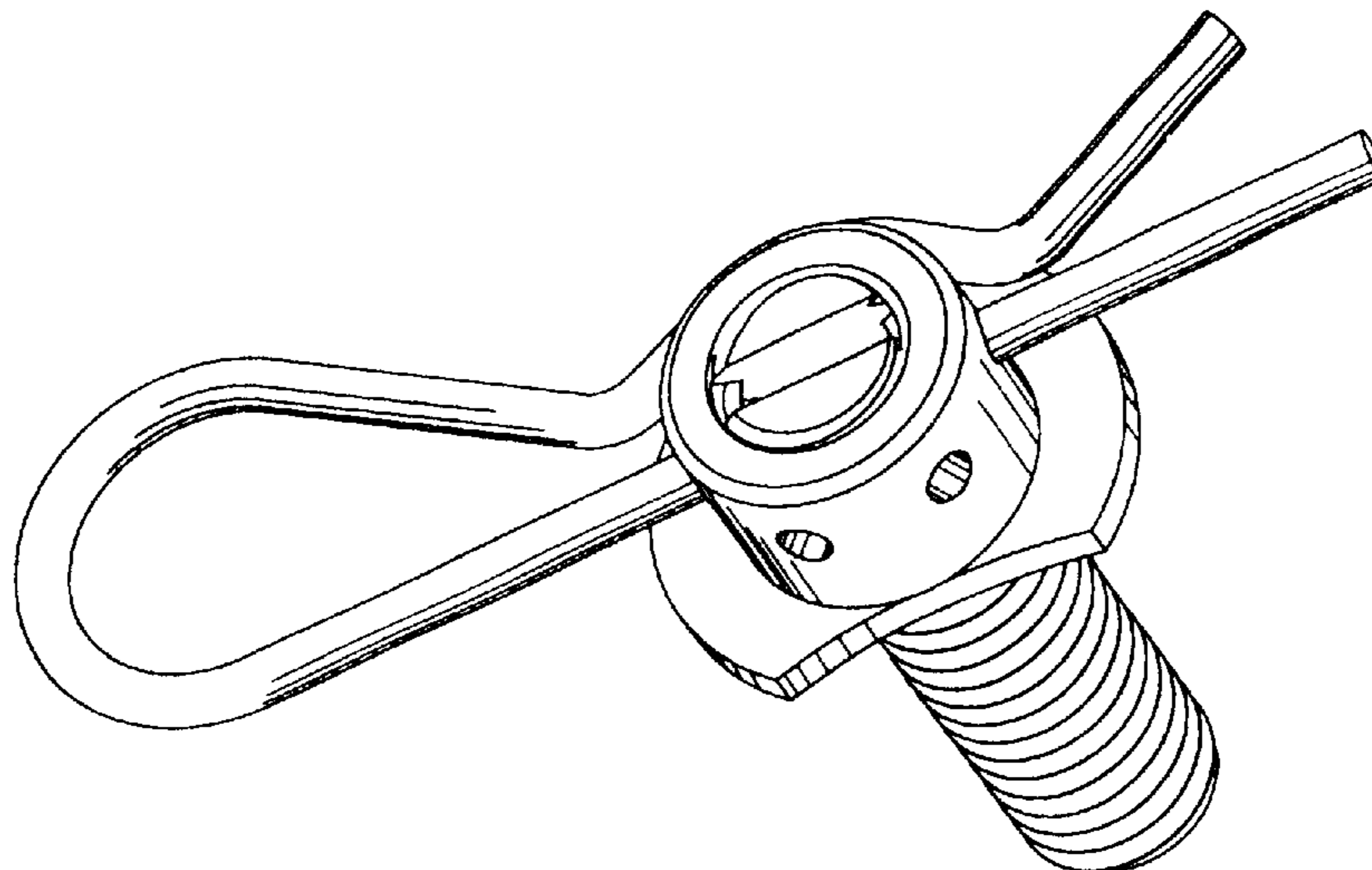
FIG. 20 is a side view thereof.

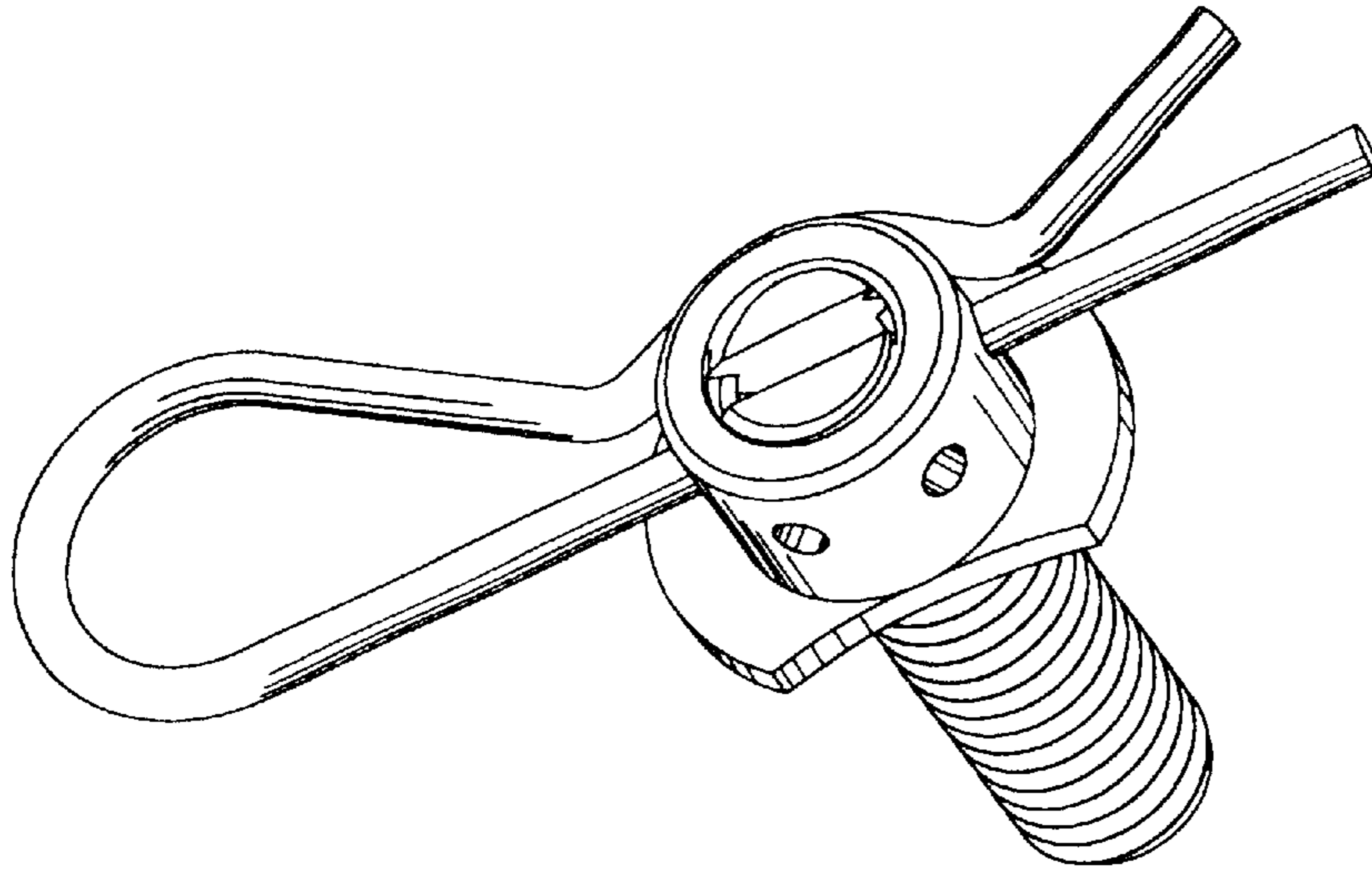
FIG. 21 is an opposite end view thereof.

FIG. 22 is an opposite side view thereof; and,

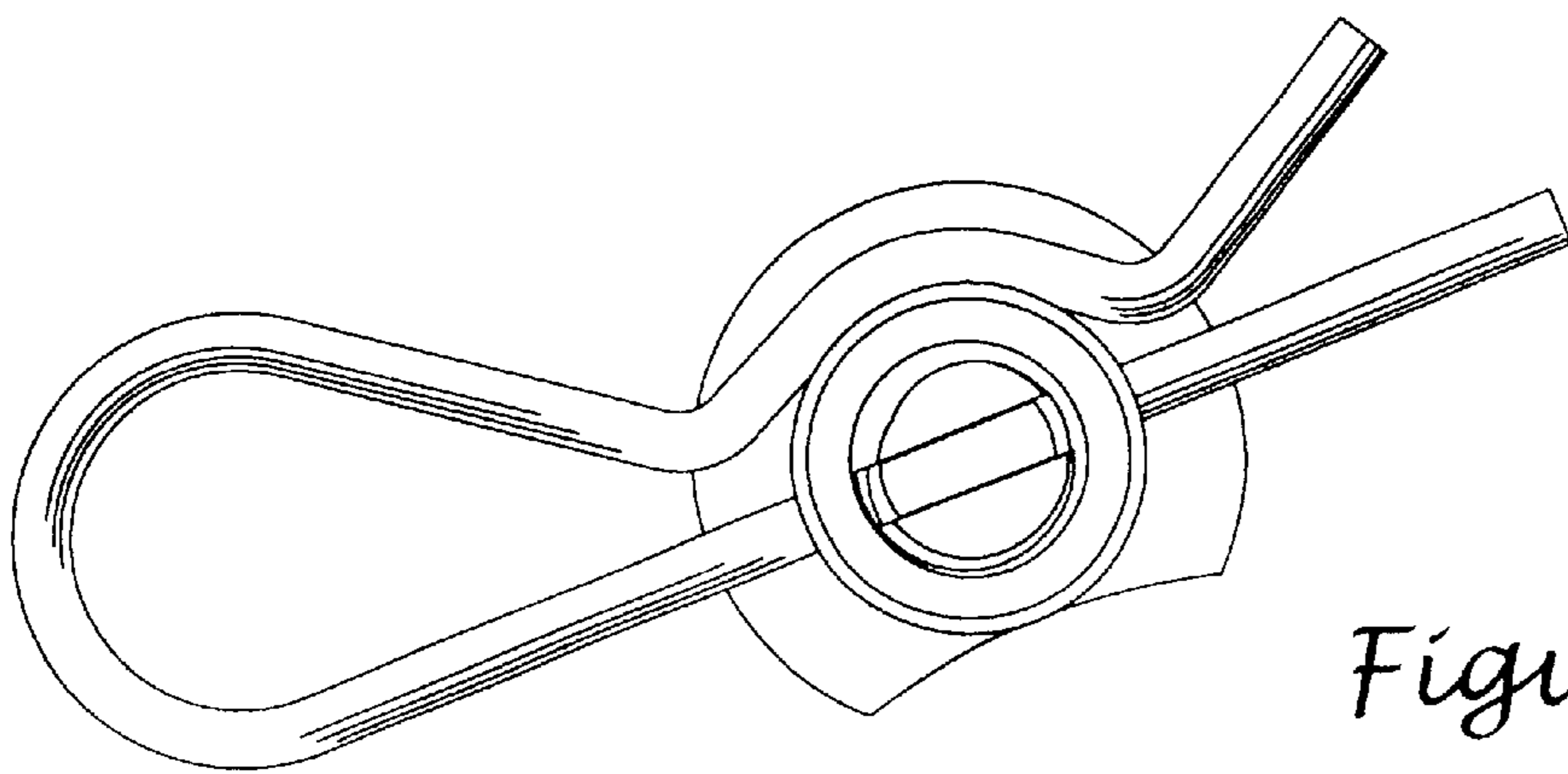
FIG. 23 is a bottom view thereof.

**1 Claim, 7 Drawing Sheets**

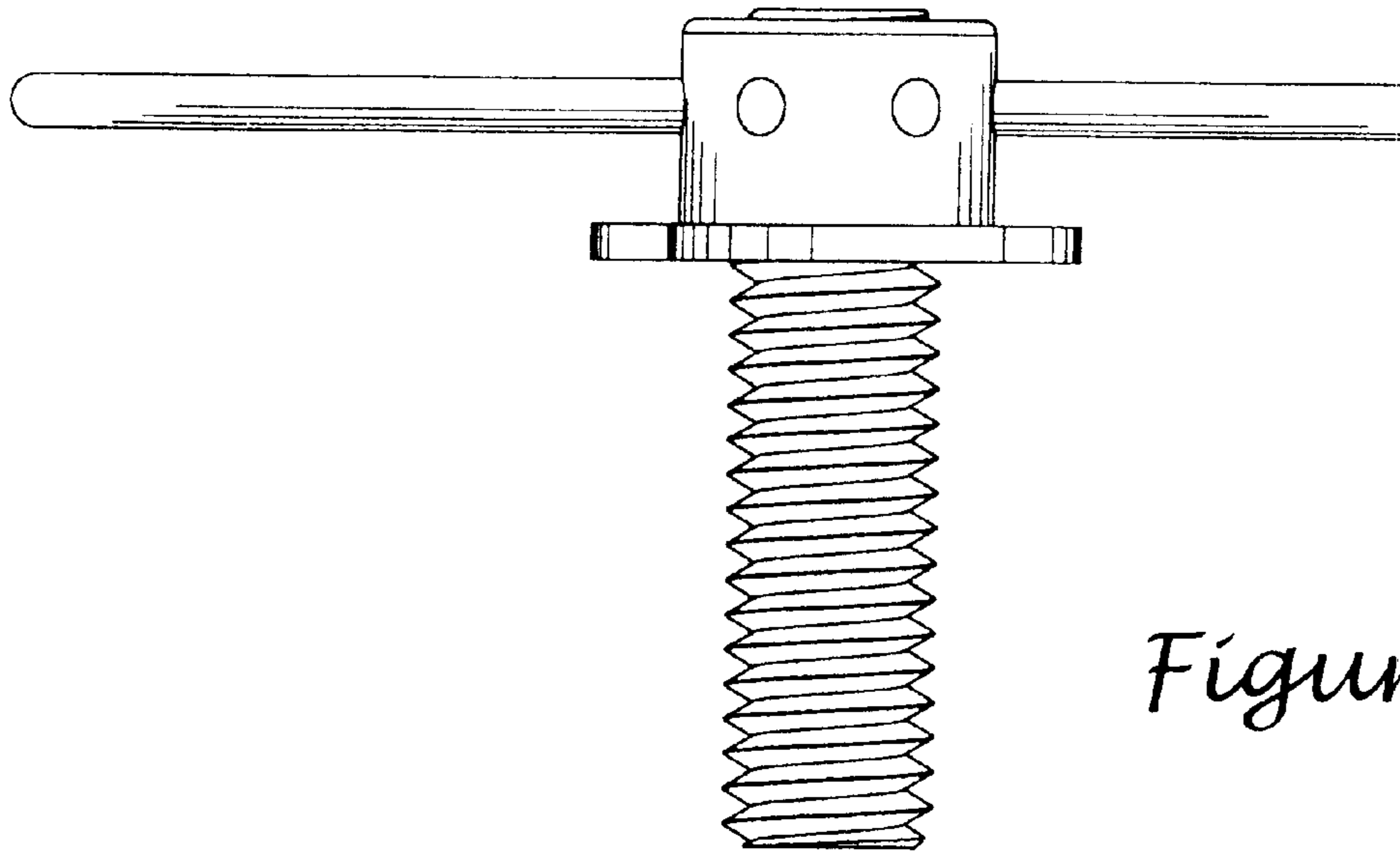




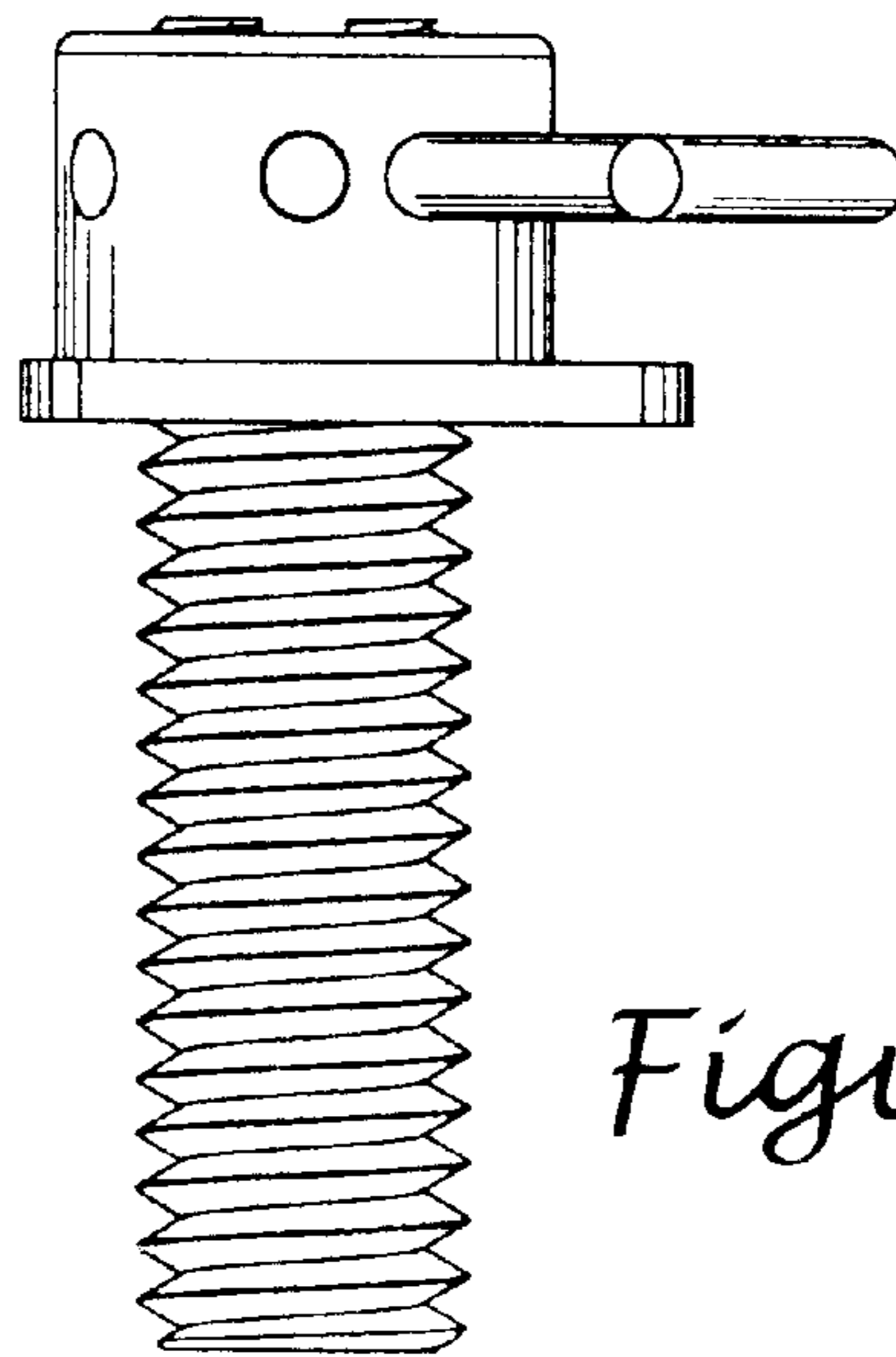
*Figure 1*



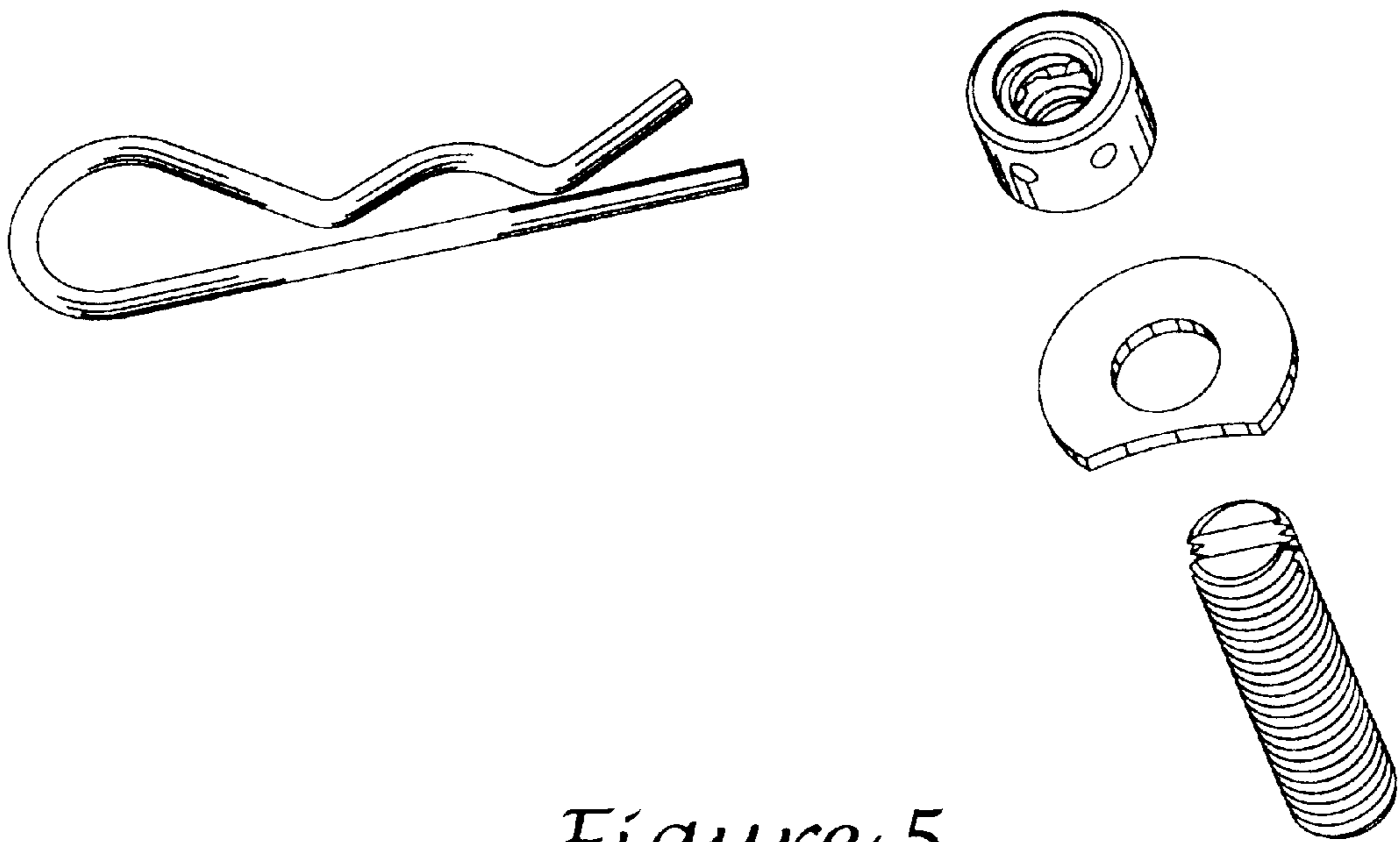
*Figure 2*



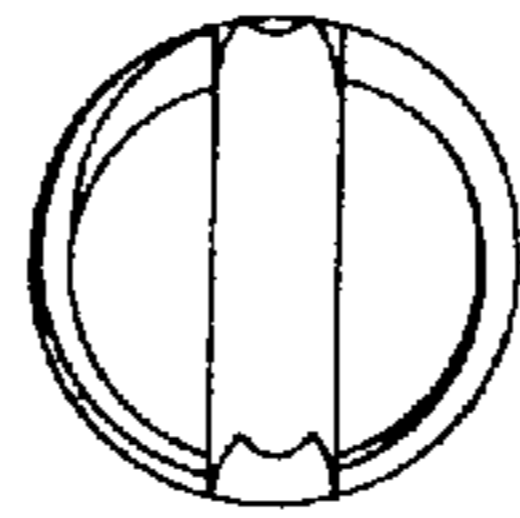
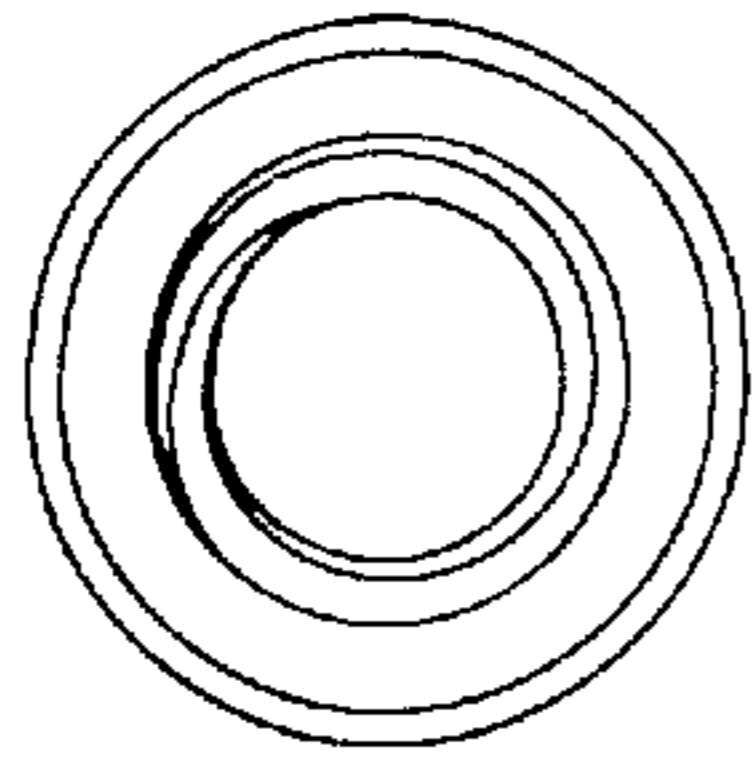
*Figure 3*



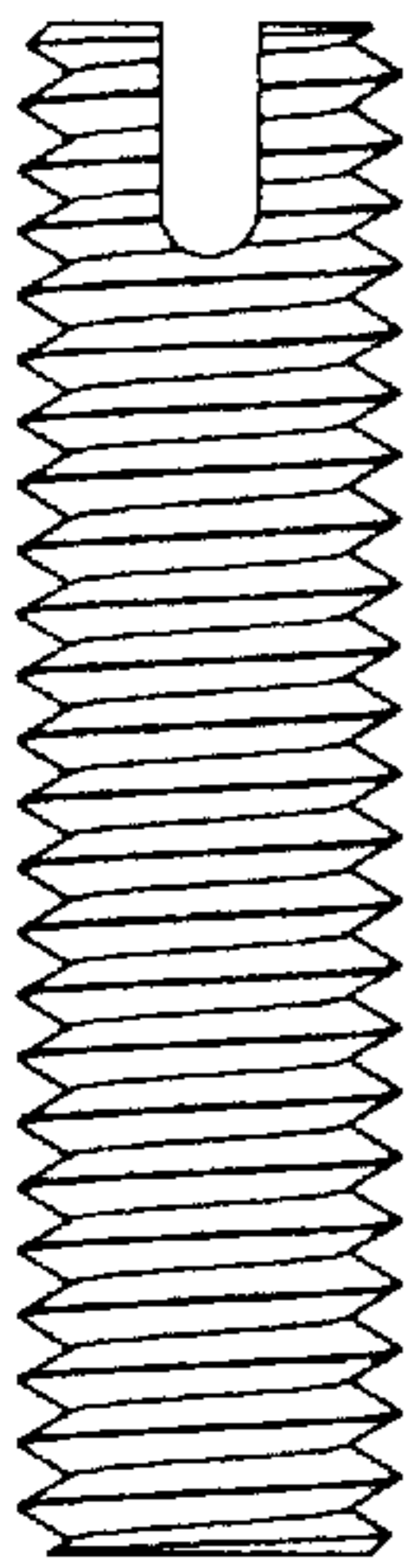
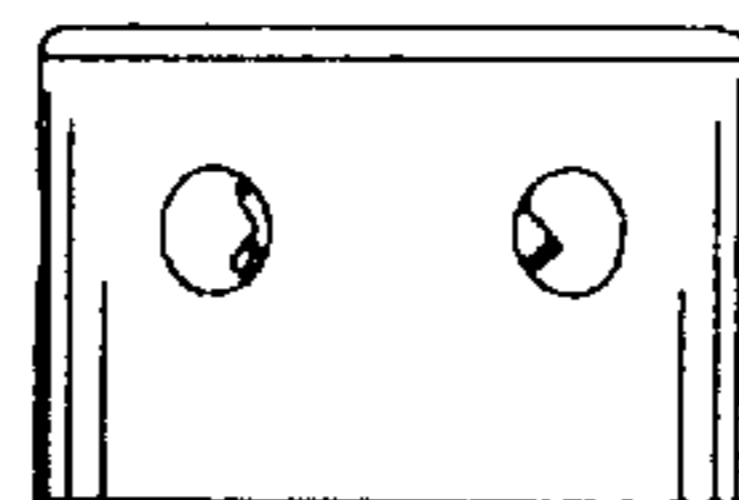
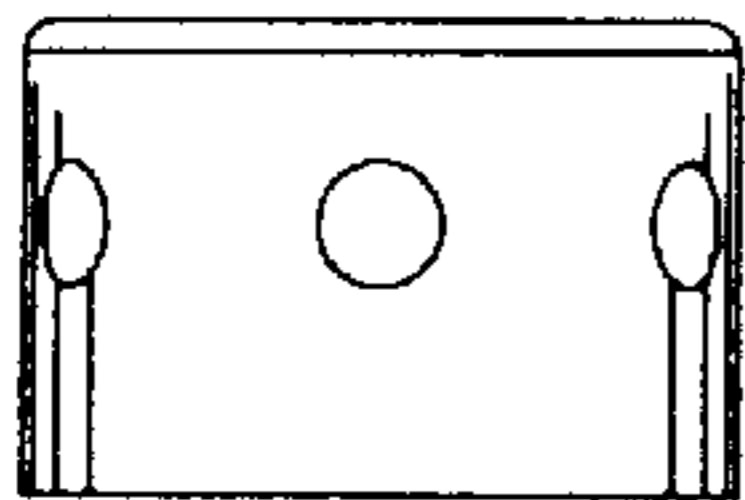
*Figure 4*



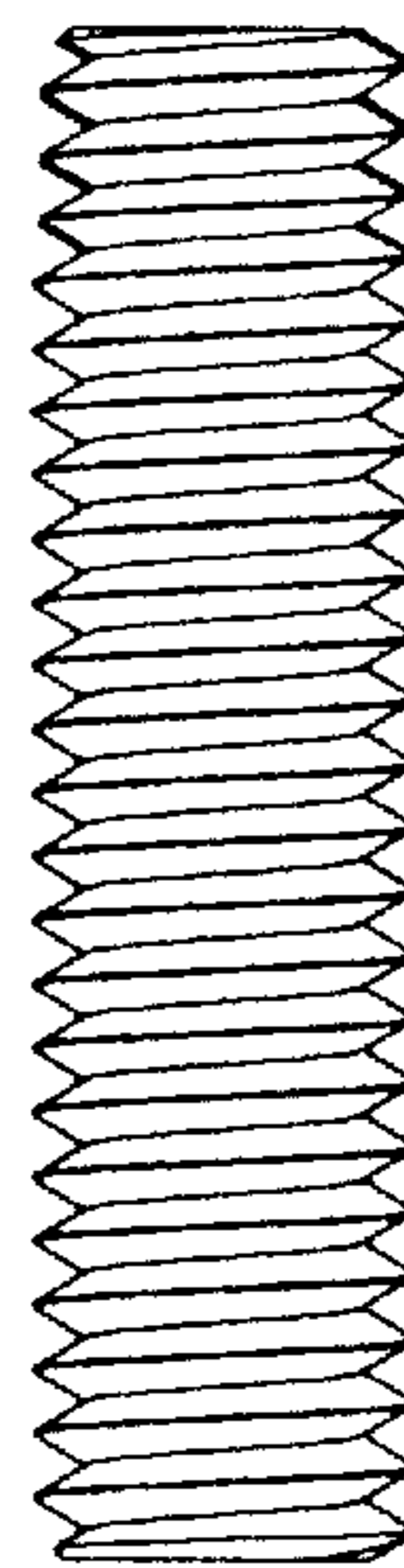
*Figure 5*



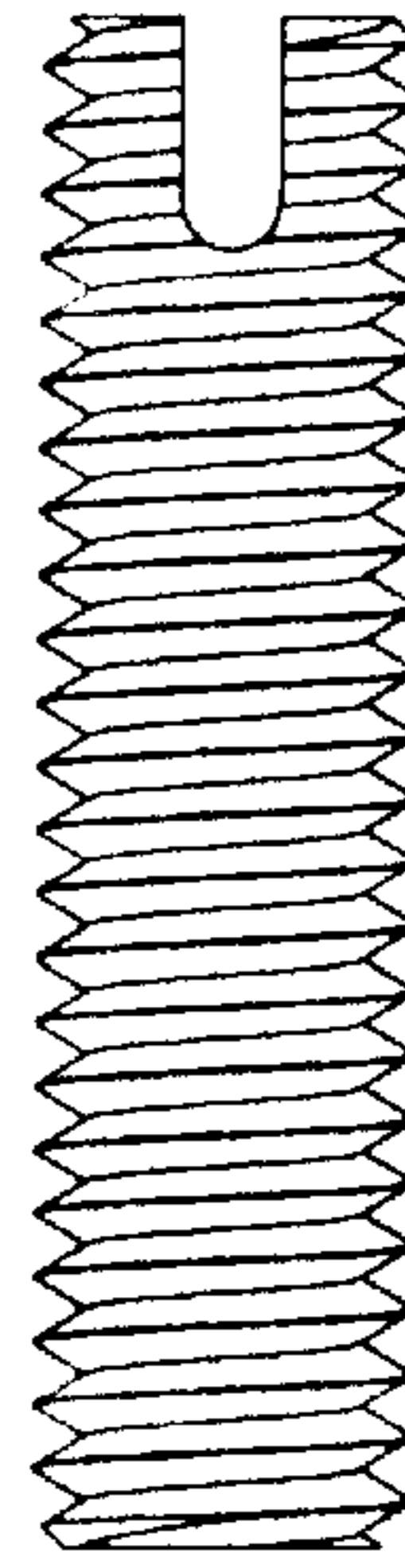
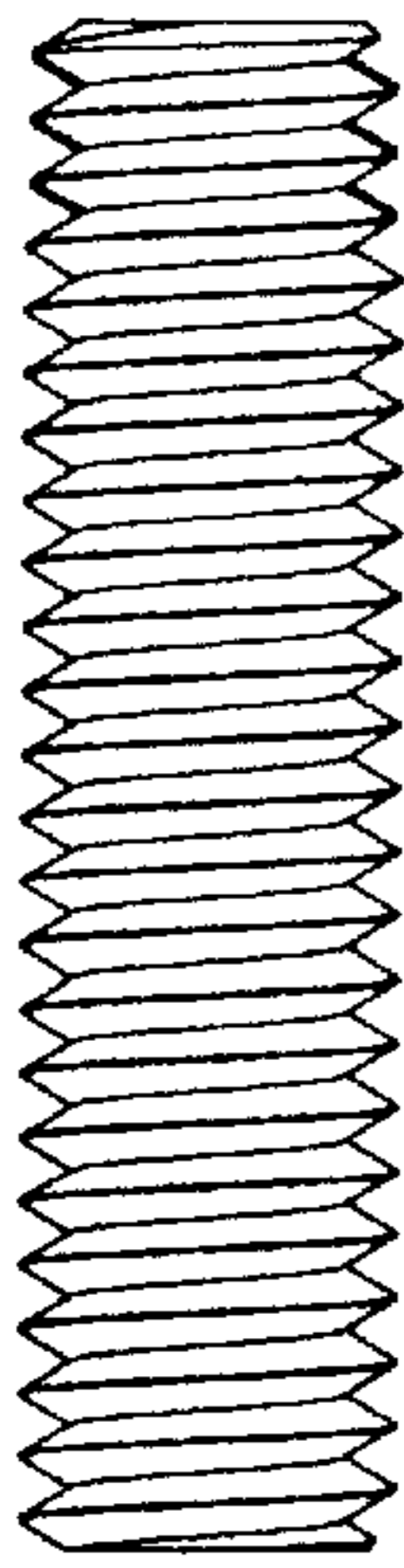
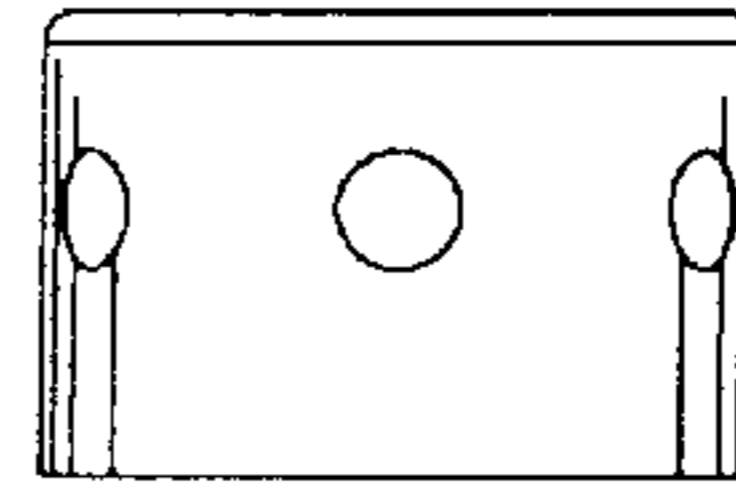
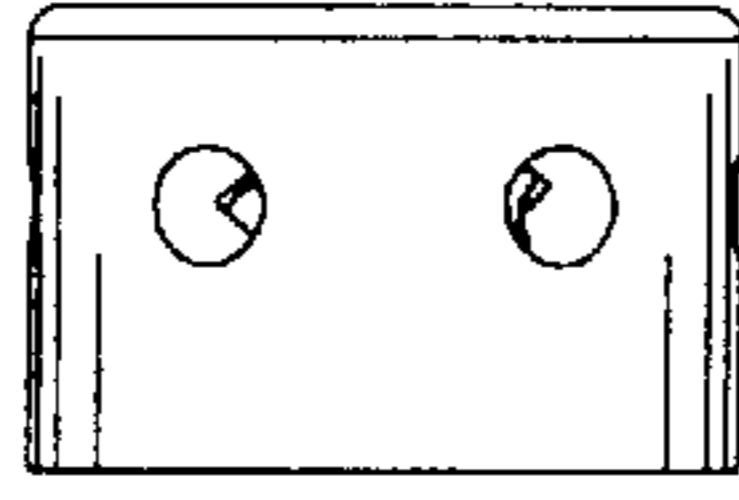
*Figure 6*



*Figure 7*

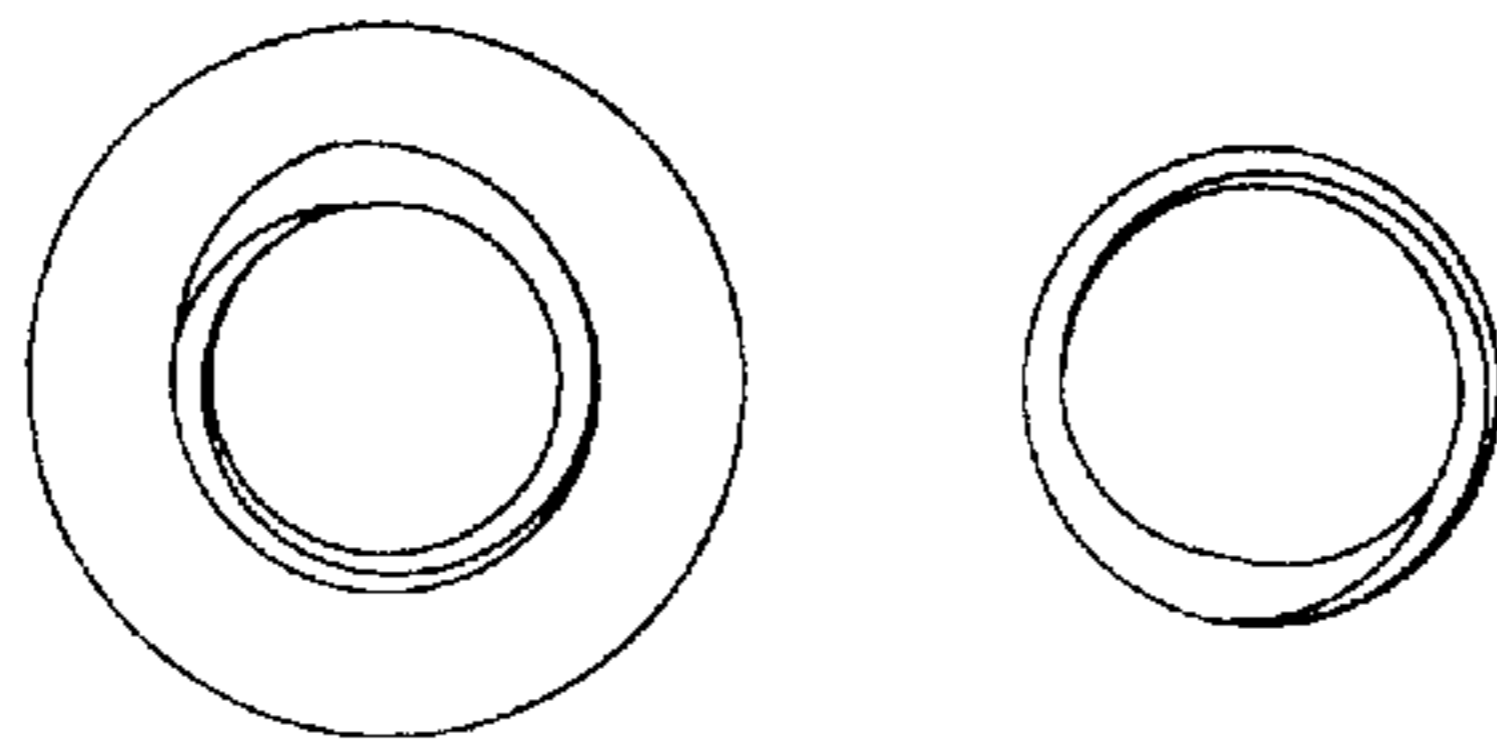


*Figure 8*



*Figure 9*

*Figure 10*



*Figure 11*



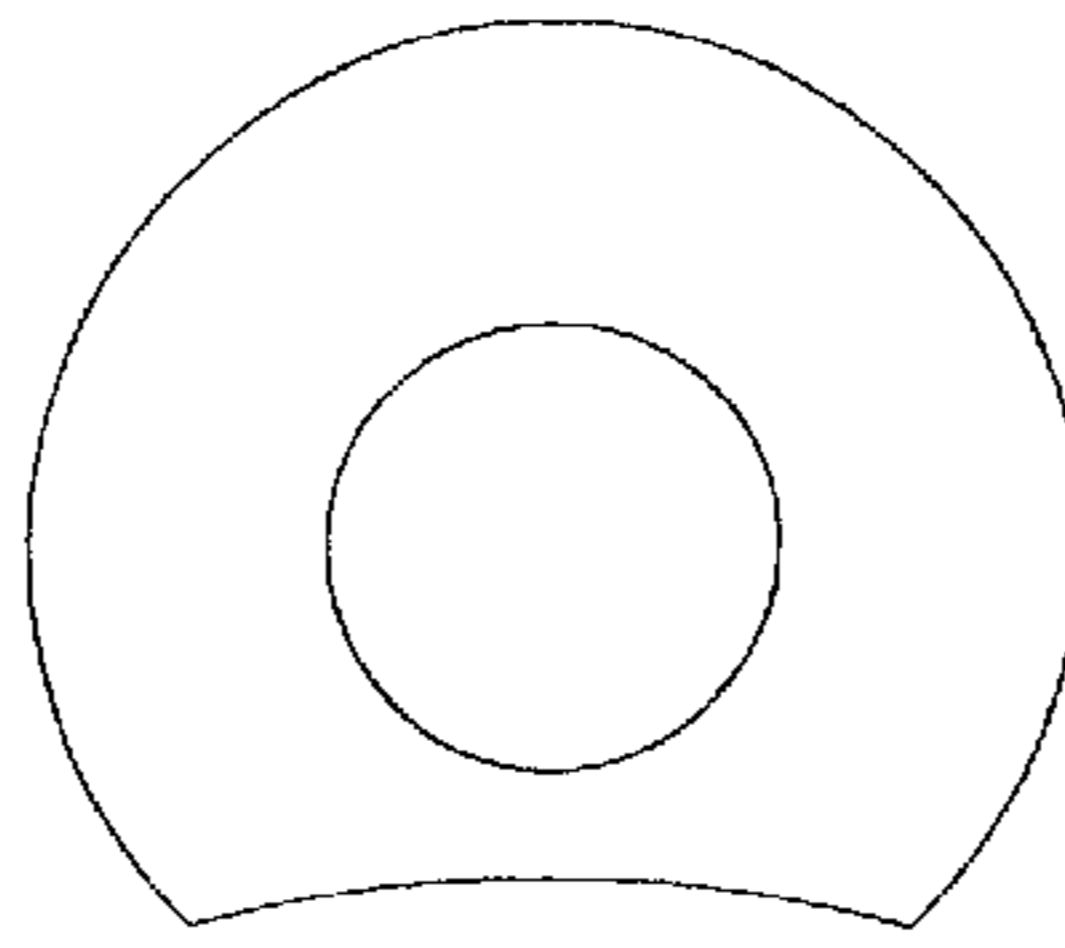


Figure 12

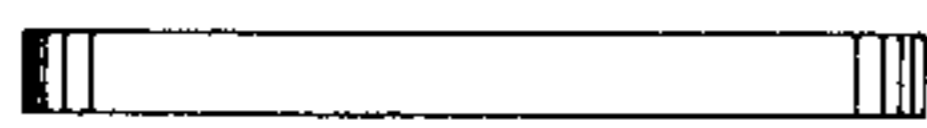


Figure 13

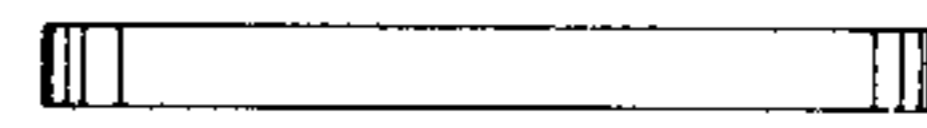


Figure 15

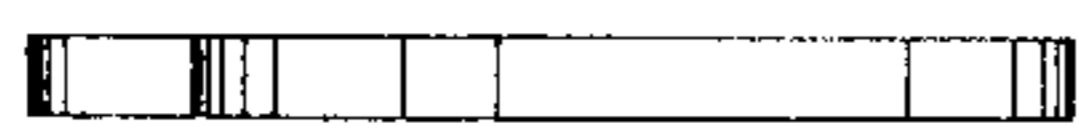


Figure 14

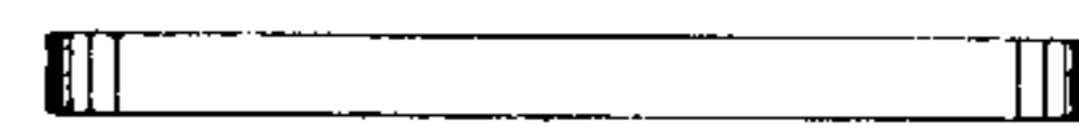


Figure 16

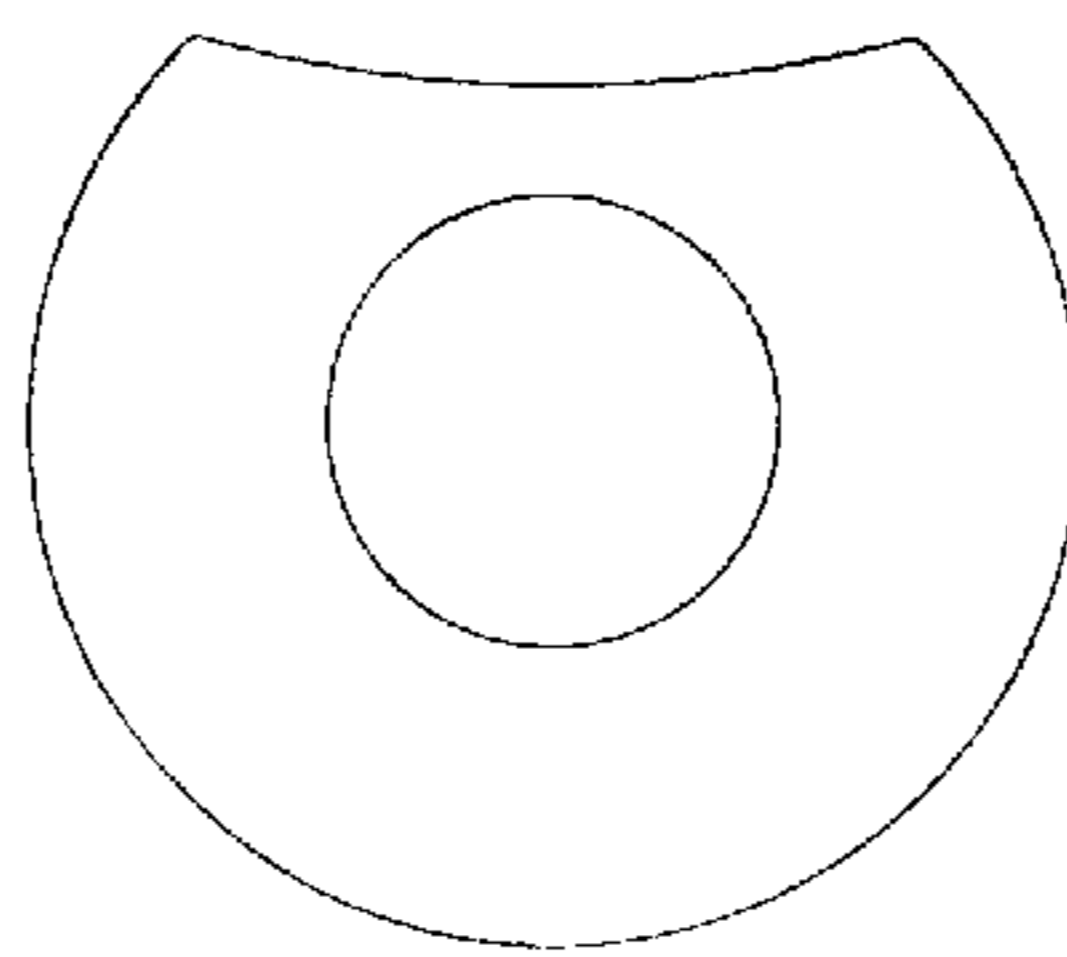


Figure 17

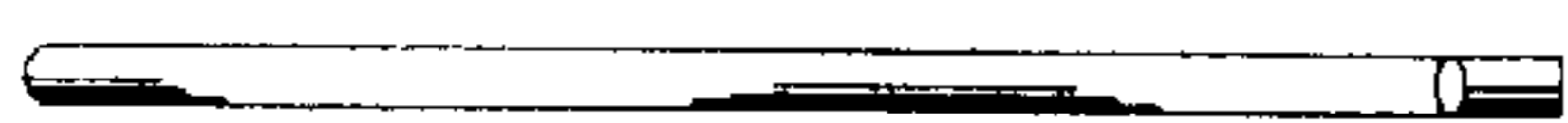


Figure 18



Figure 21



Figure 19

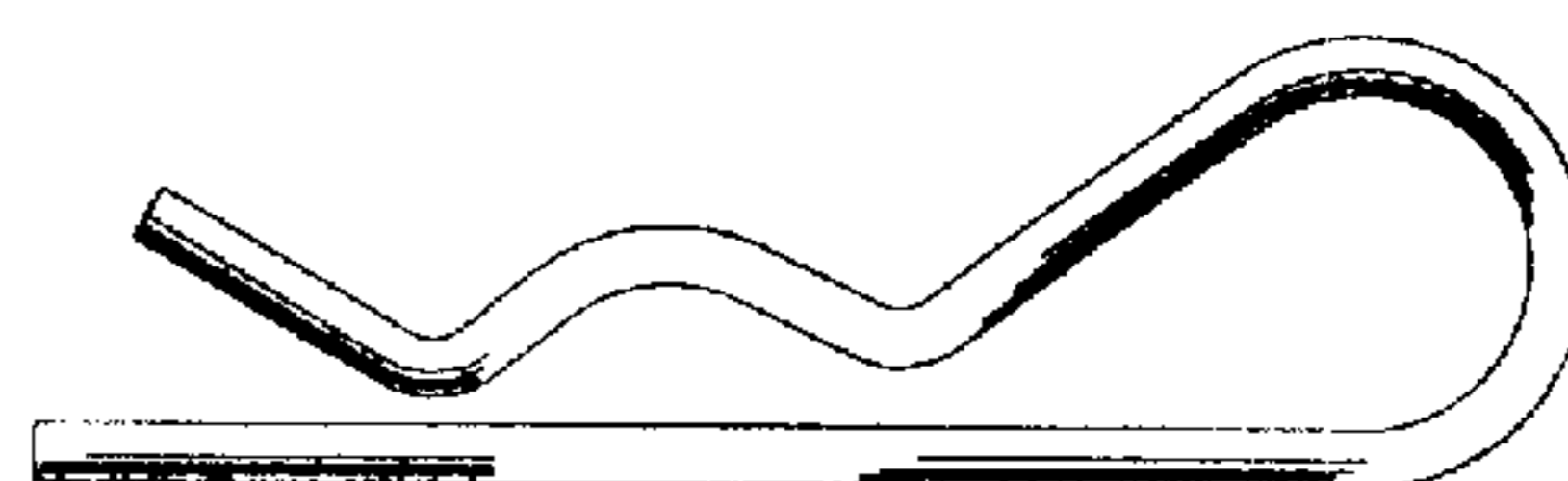


Figure 22

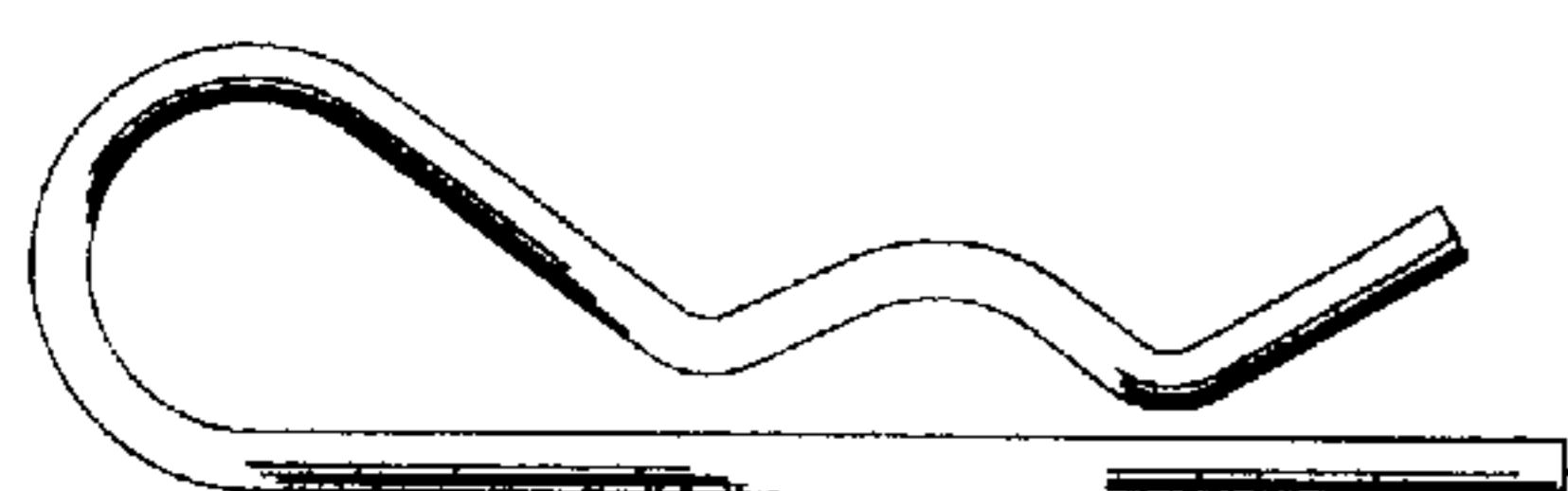


Figure 20

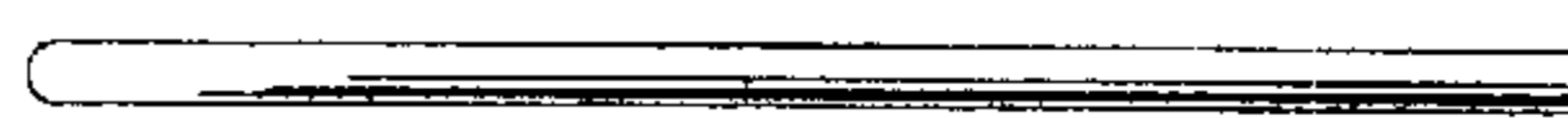


Figure 23