



US00D462603S

(12) **United States Design Patent**
Wright et al.

(10) **Patent No.: US D462,603 S**

(45) **Date of Patent: ** Sep. 10, 2002**

(54) **FREE STANDING HOSE HANGER**

(75) Inventors: **Daniel L. Wright**, Poway; **James H. Wright**, Corte Madera; **John D. Strayer**, Chula Vista, all of CA (US)

(73) Assignee: **Richmond Engineering, Inc.**, Poway, CA (US)

(**) Term: **14 Years**

(21) Appl. No.: **29/148,616**

(22) Filed: **Sep. 24, 2001**

(51) **LOC (7) Cl.** **08-05**

(52) **U.S. Cl.** **D8/356**

(58) **Field of Search** D8/349, 354, 355,
D8/356, 373, 380, 381; 211/86.01, 60.1,
87.01; 239/195; 248/65, 75, 80, 89, 309.1,
317, 156, 85, 87

(56) **References Cited**

U.S. PATENT DOCUMENTS

D243,488 S	*	3/1977	Linse	D8/356
D274,487 S	*	7/1984	Eads et al.	D8/356
D341,767 S	*	11/1993	Brueske	D8/356
6,079,675 A	*	6/2000	Hsu	248/75

* cited by examiner

Primary Examiner—Doris V. Coles

Assistant Examiner—Elizabeth A. Albert

(74) *Attorney, Agent, or Firm*—Richard D. Clarke

(57) **CLAIM**

The ornamental design for a free standing hose hanger, as shown and described.

DESCRIPTION

FIG. 1 is a perspective view of a free standing hose hanger showing our new design with the lower portion of the post broken away for convenience of illustration;

FIG. 2 is a side elevational view of a free standing hose hanger on a reduced scale, for which the opposite side view is a mirror image of same;

FIG. 3 is a top view of a free standing hose hanger on a reduced scale;

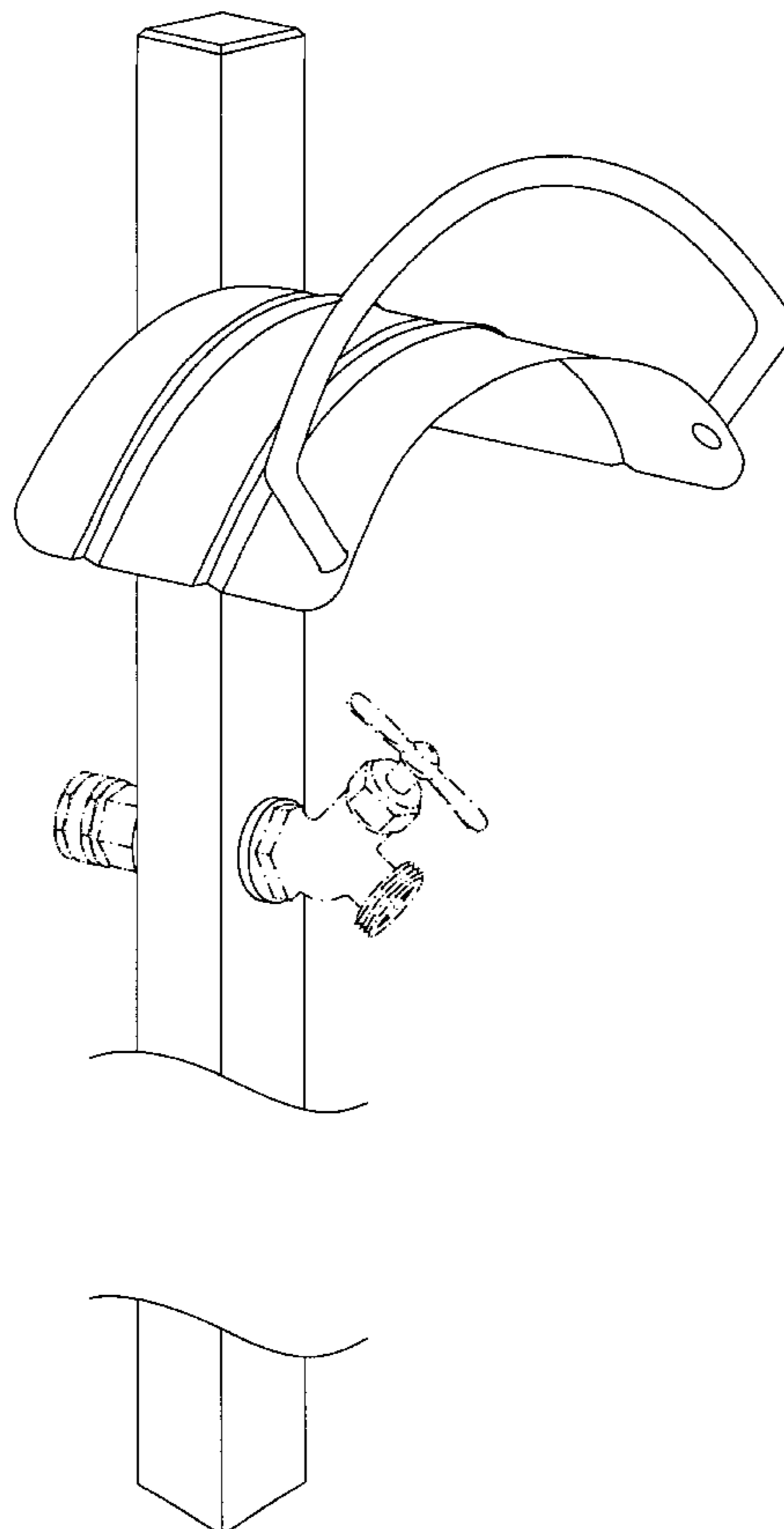
FIG. 4 is a bottom view of a free standing hose hanger on a reduced scale;

FIG. 5 is a front elevational view of a free standing hose hanger on a reduced scale; and,

FIG. 6 is a rear elevational view of a free standing hose hanger on a reduced scale.

The broken line showing of a hose faucet fitting and a hose connection fitting in FIGS. 1, 2, 3, 4, 5 and 6 is for illustrative purposes only and forms no part of the claimed design.

1 Claim, 3 Drawing Sheets



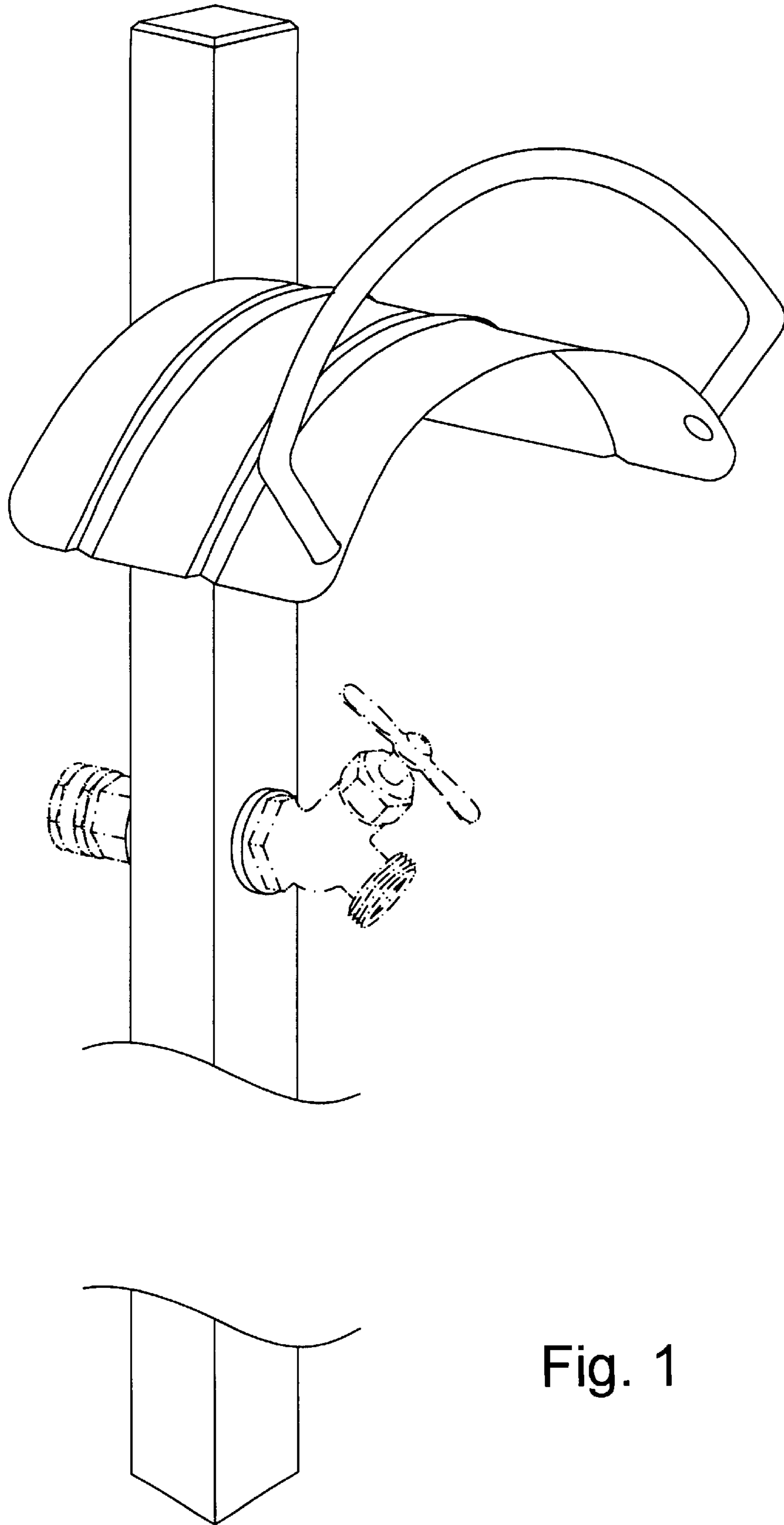


Fig. 1

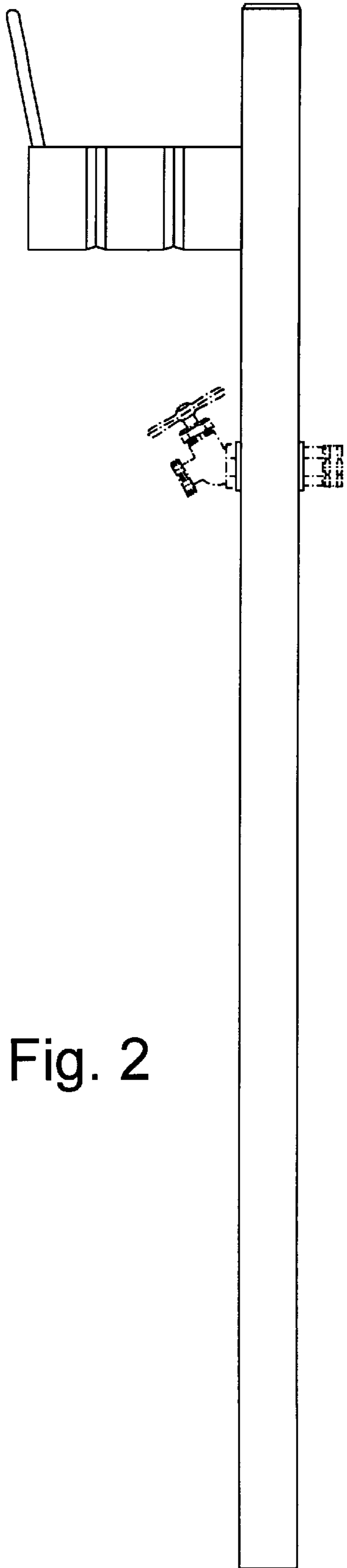


Fig. 2

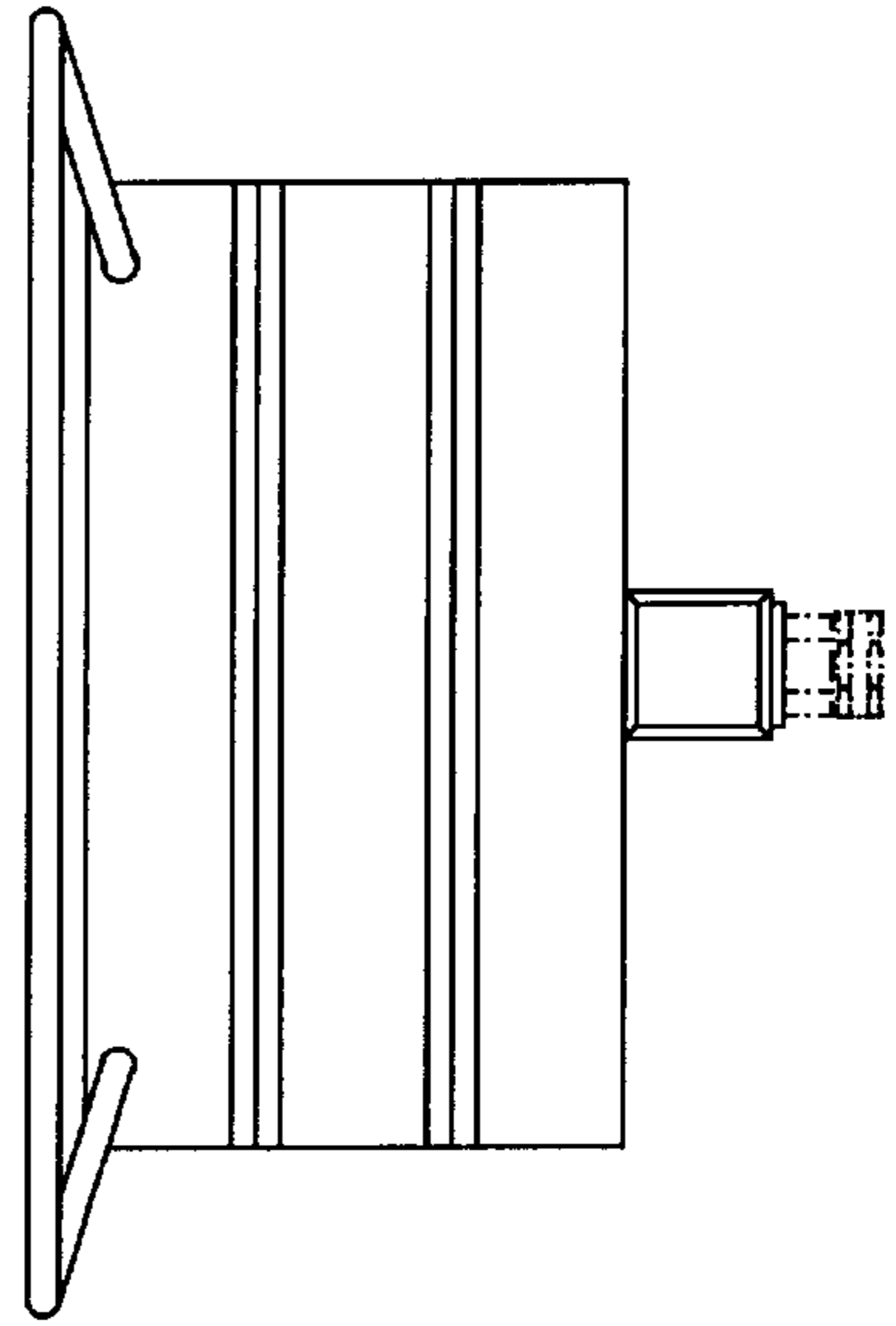


Fig. 3

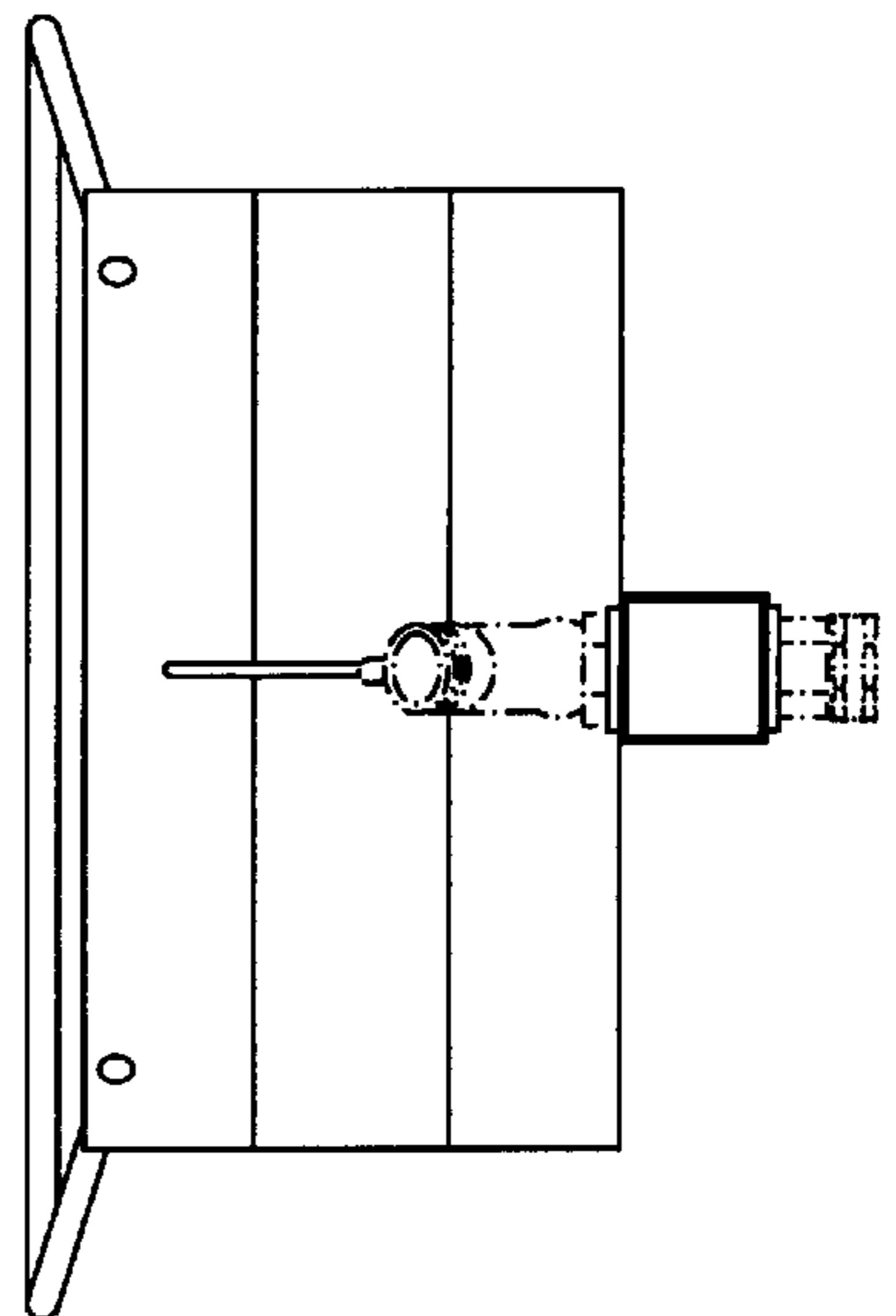


Fig. 4

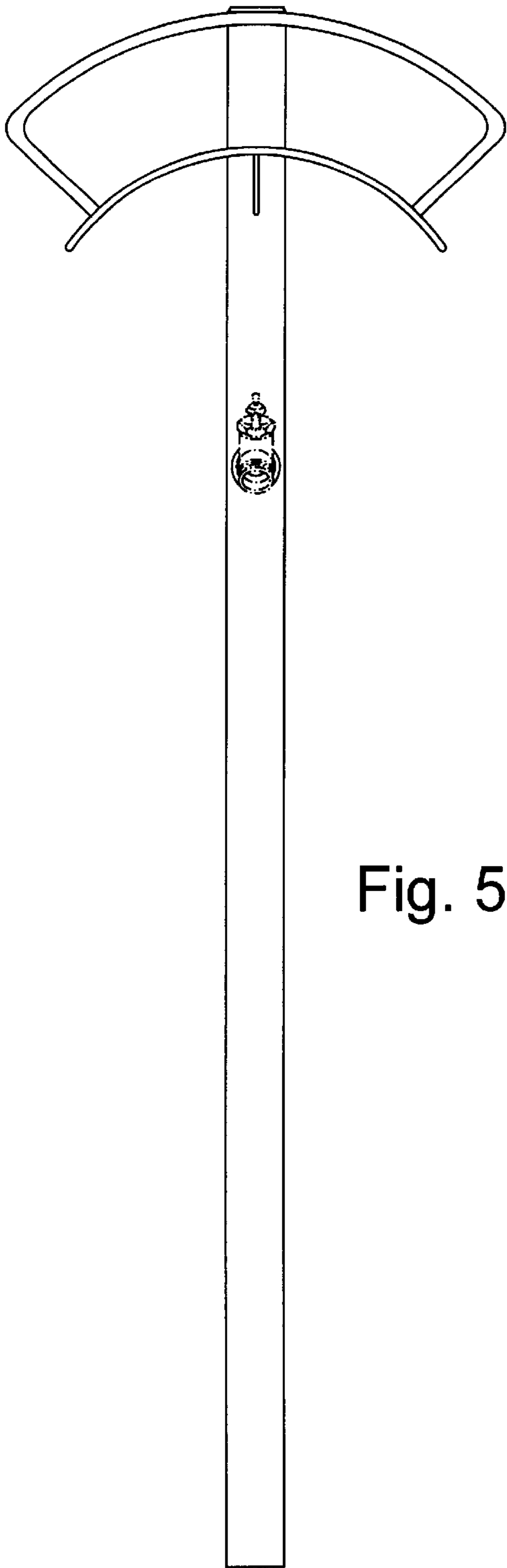


Fig. 5

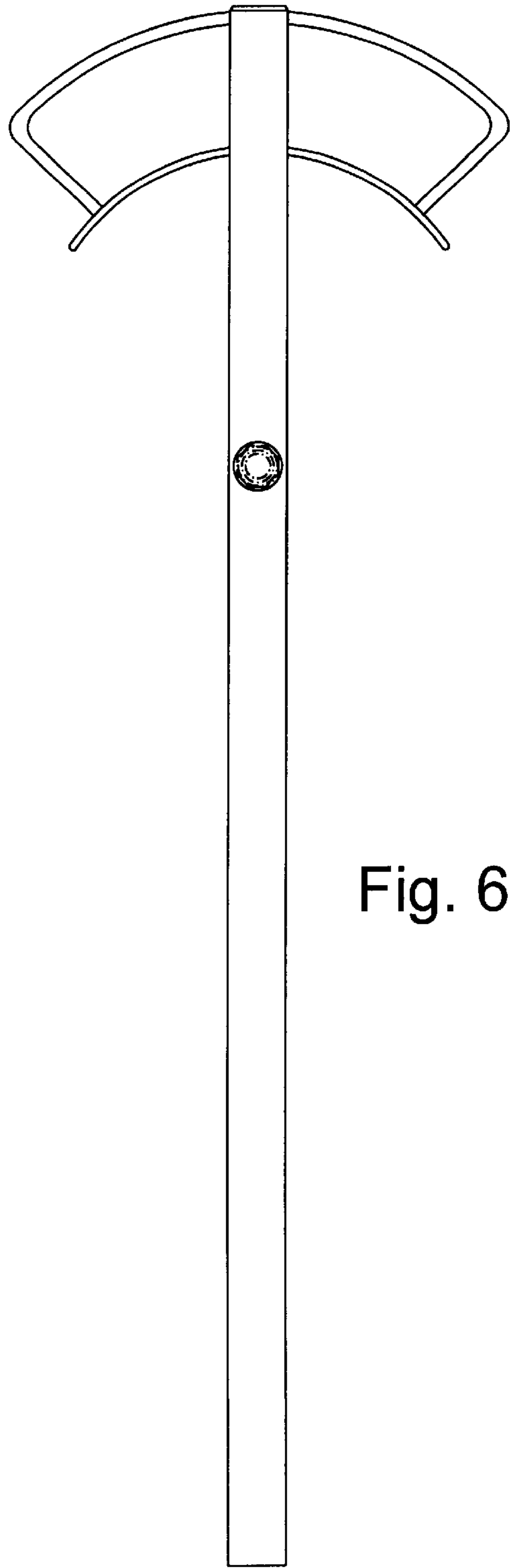


Fig. 6