



US00D462602S

(12) **United States Design Patent**
Simonson et al.

(10) **Patent No.:** **US D462,602 S**

(45) **Date of Patent:** **** Sep. 10, 2002**

(54) **BRACKET**

D298,798 S * 12/1988 Finley D8/357
D360,562 S * 7/1995 Pilcik D8/2

(75) Inventors: **Chad A. Simonson**, Township of Cerro Gordo, County of Lac Qui Parle, MN (US); **Robert L. Claussen**, Benson, MN (US)

* cited by examiner

Primary Examiner—Doris V. Coles

Assistant Examiner—Elizabeth A. Albert

(73) Assignee: **Redball, LLC**, Benson, MN (US)

(74) *Attorney, Agent, or Firm*—William L. Huebsch

(**) Term: **14 Years**

(57) **CLAIM**

(21) Appl. No.: **29/151,985**

The ornamental design for a bracket, as shown.

(22) Filed: **Nov. 5, 2001**

DESCRIPTION

(51) **LOC (7) Cl.** **08-05**

FIG. 1 is a bottom, left, front isometric view of a bracket showing our new design;

(52) **U.S. Cl.** **D8/354**

FIG. 2 is a left side view of said bracket;

(58) **Field of Search** D8/2, 349, 354, D8/355, 363, 393, 394, 395, 396, 373, 380, 357; D15/13, 17, 28, 32; 47/48.5; 222/74, 173, 180; 248/200, 201, 205.1, 205.4, 207, 213.2, 216.1, 216.4, 235

FIG. 3 is a right side view of said bracket;

FIG. 4 is a front view of said bracket;

FIG. 5 is a rear view of said bracket;

FIG. 6 is a bottom view of said bracket; and,

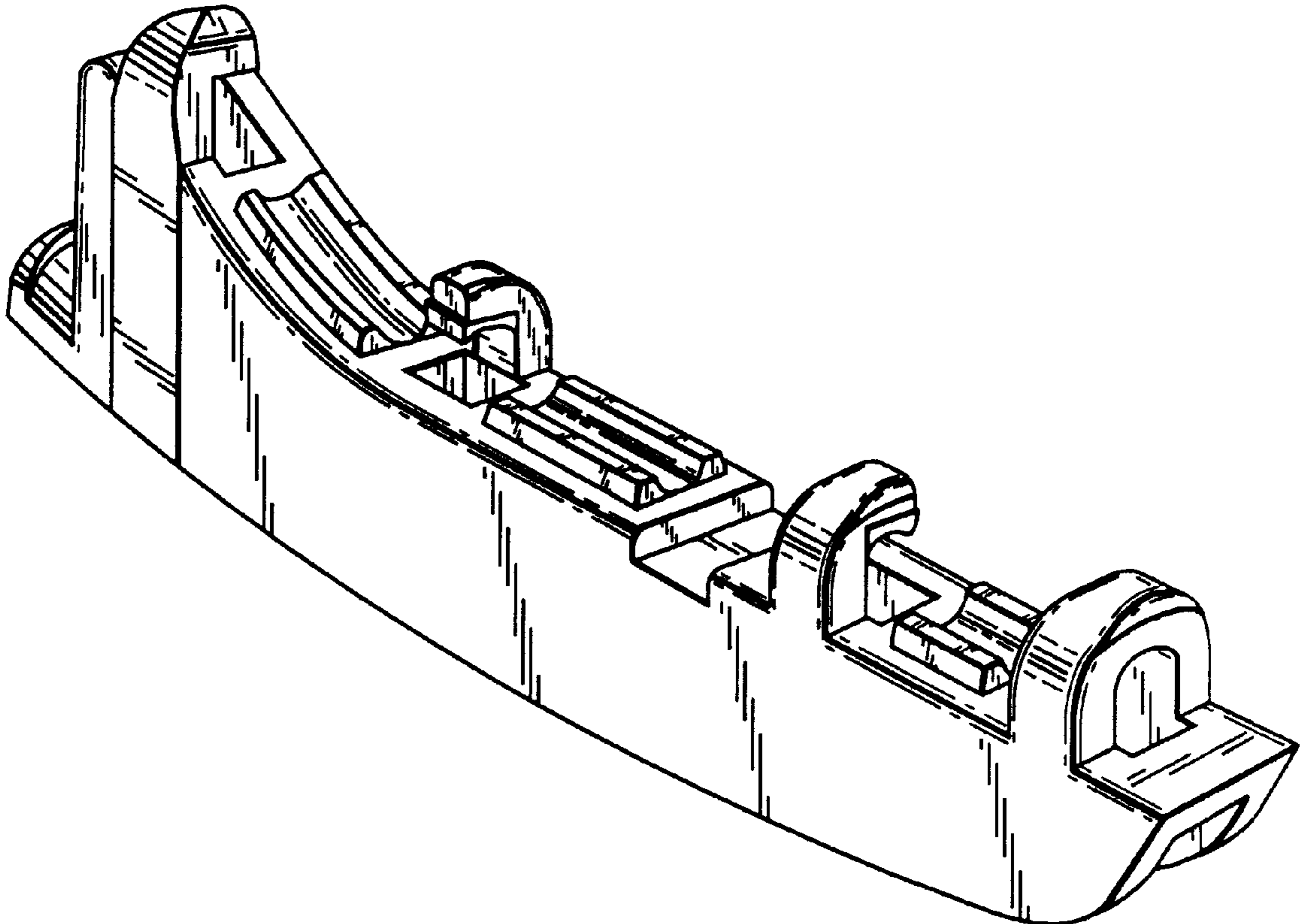
FIG. 7 is a top view of said bracket.

(56) **References Cited**

U.S. PATENT DOCUMENTS

D222,799 S * 1/1972 Hughes, III D8/354

1 Claim, 3 Drawing Sheets



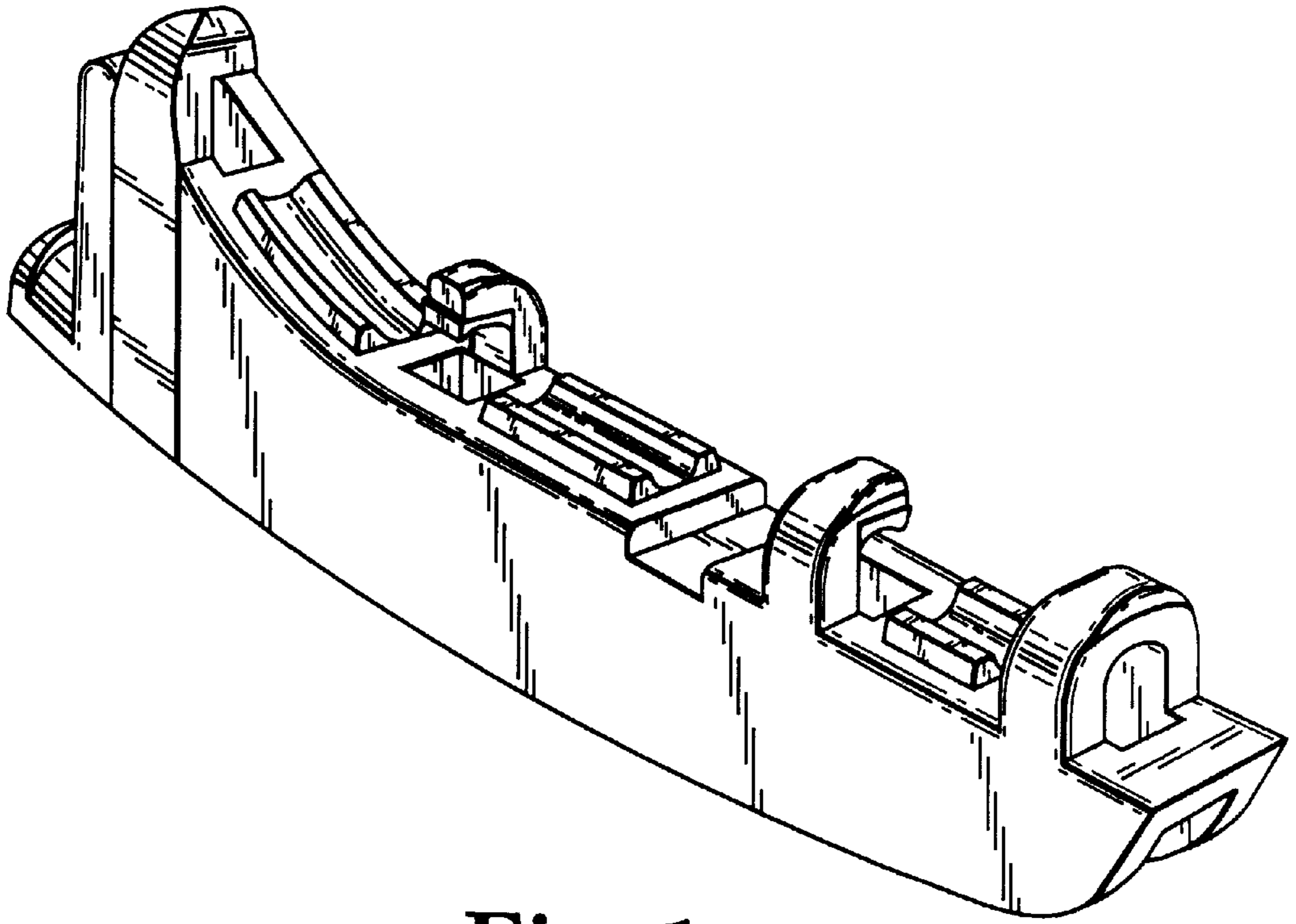


Fig. 1

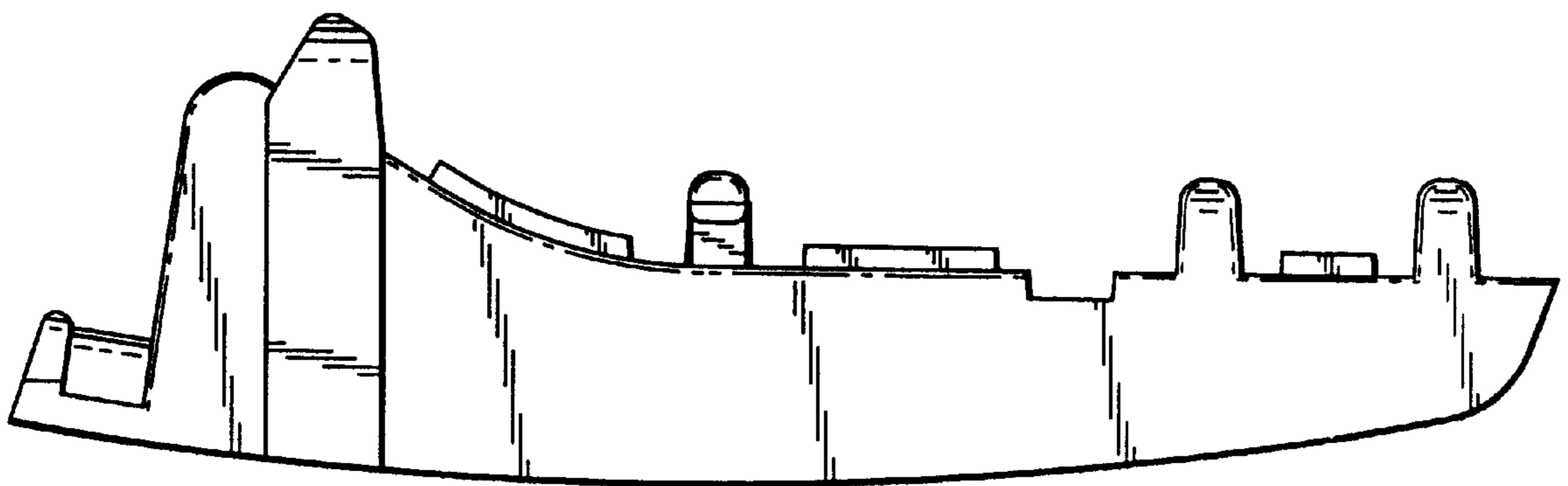


Fig. 2

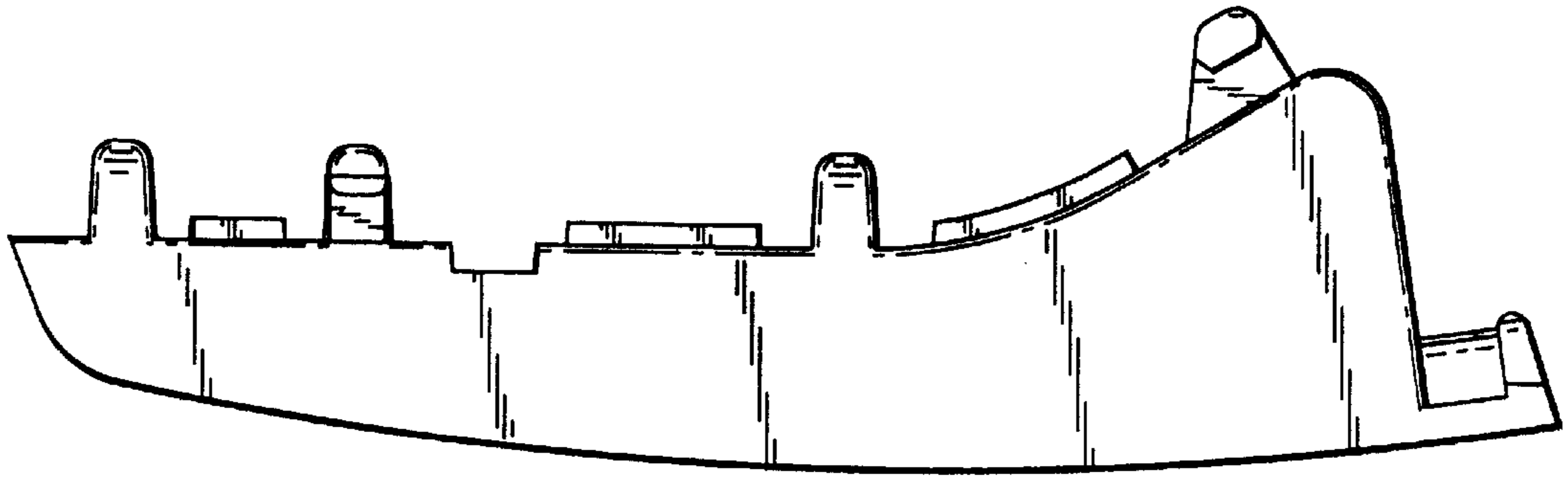


Fig. 3

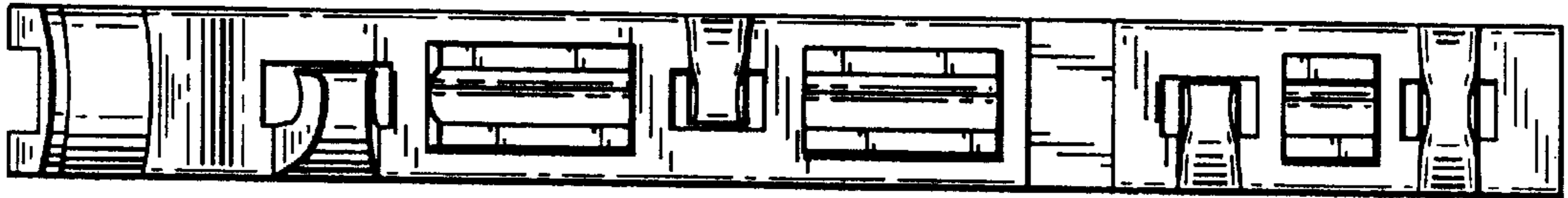


Fig. 4

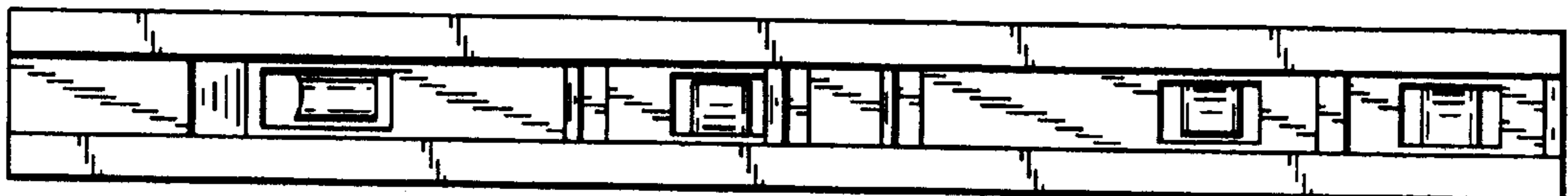


Fig. 5

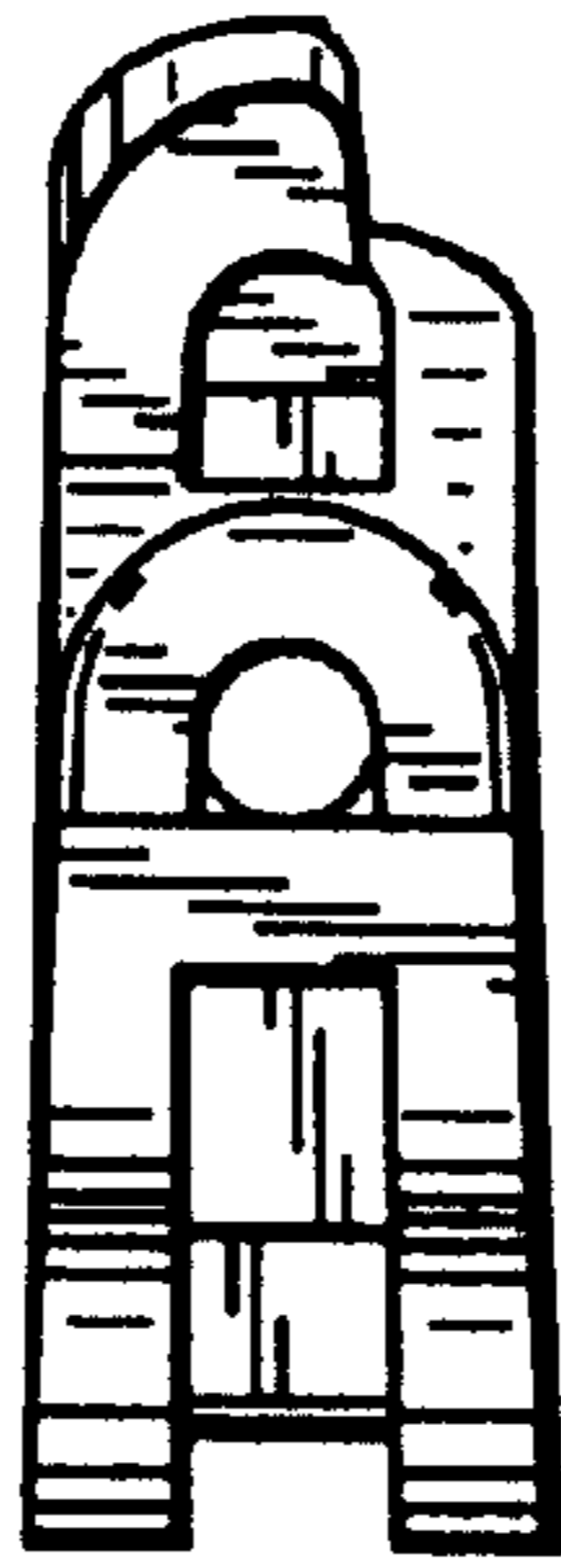


Fig. 6

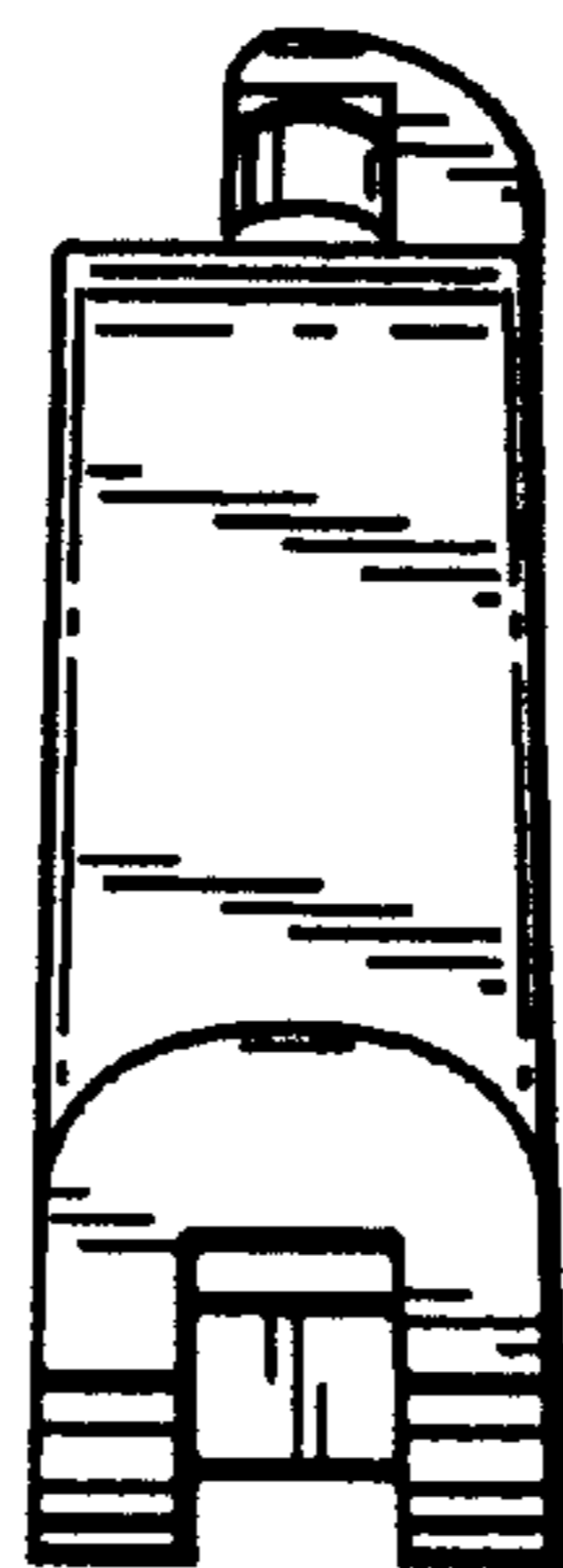


Fig. 7