



US00D462601S

(12) **United States Design Patent**
Chaney

(10) **Patent No.:** **US D462,601 S**

(45) **Date of Patent:** **** Sep. 10, 2002**

(54) **DECK PLANK ATTACHMENT CLIP**

(75) **Inventor:** **Michael T. Chaney**, Middletown, OH (US)

(73) **Assignee:** **Dayton Technologies, L.L.C.**, Monroe, OH (US)

(**) **Term:** **14 Years**

(21) **Appl. No.:** **29/149,797**

(22) **Filed:** **Oct. 16, 2001**

Related U.S. Application Data

(63) Continuation-in-part of application No. 09/470,532, filed on Dec. 22, 1999, now Pat. No. 6,301,842, which is a continuation-in-part of application No. 29/129,042, filed on Sep. 6, 2000, now Pat. No. Des. 451,785, which is a continuation-in-part of application No. 29/106,084, filed on Jun. 10, 1999, now abandoned.

(51) **LOC (7) Cl.** **08-05**

(52) **U.S. Cl.** **D8/354; D25/119**

(58) **Field of Search** D8/343, 354, 356, D8/349, 366, 377, 380, 300; 248/68.1, 558, 242, 243, 300, 200, 309.1, 552, 237, 903, 220.41, 71; 52/733.1-733.3, 177, 181, 772, 702, 512, 480, 483.1, 646; 211/26, 70.1, 87.01, 85.2, 94.01; D25/119

(56) **References Cited**

U.S. PATENT DOCUMENTS

D221,531 S * 8/1971 Kimmel D25/119

D236,202 S	*	8/1975	Starck et al.	D8/377
D272,412 S	*	1/1984	Shanklin	D8/343
D283,295 S	*	4/1986	Bancroft	D8/300
D333,421 S	*	2/1993	Patti	D8/356
5,899,042 A	*	5/1999	Pellock	52/696
6,005,195 A	*	12/1999	Kam	174/135
6,233,886 B1	*	5/2001	Andres	52/177
D451,785 S		12/2001	Chaney et al.		

* cited by examiner

Primary Examiner—Pamela Burgess

(74) *Attorney, Agent, or Firm*—Jacox, Meckstroth & Jenkins

(57) **CLAIM**

The ornamental design for a deck plank attachment clip, as shown and described.

DESCRIPTION

FIG. 1 is a perspective view of a deck plank attachment clip, showing my new design;

FIG. 2 is a top view thereof;

FIG. 3 is a bottom view thereof.

FIG. 4 is a side view thereof, the opposite side view being a mirror image; and,

FIG. 5 is an end view thereof, the opposite end view being a mirror image.

1 Claim, 1 Drawing Sheet

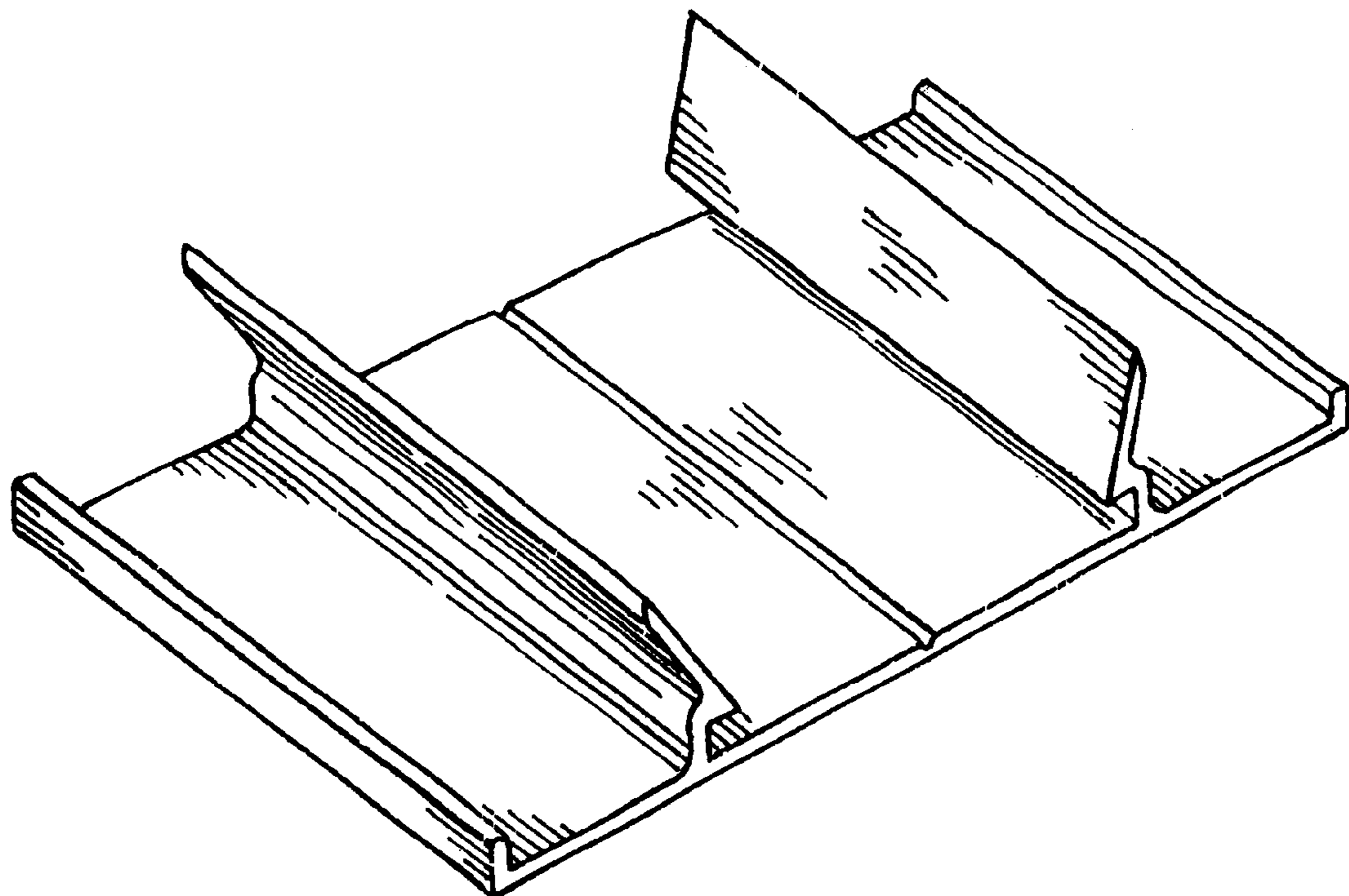


FIG-1

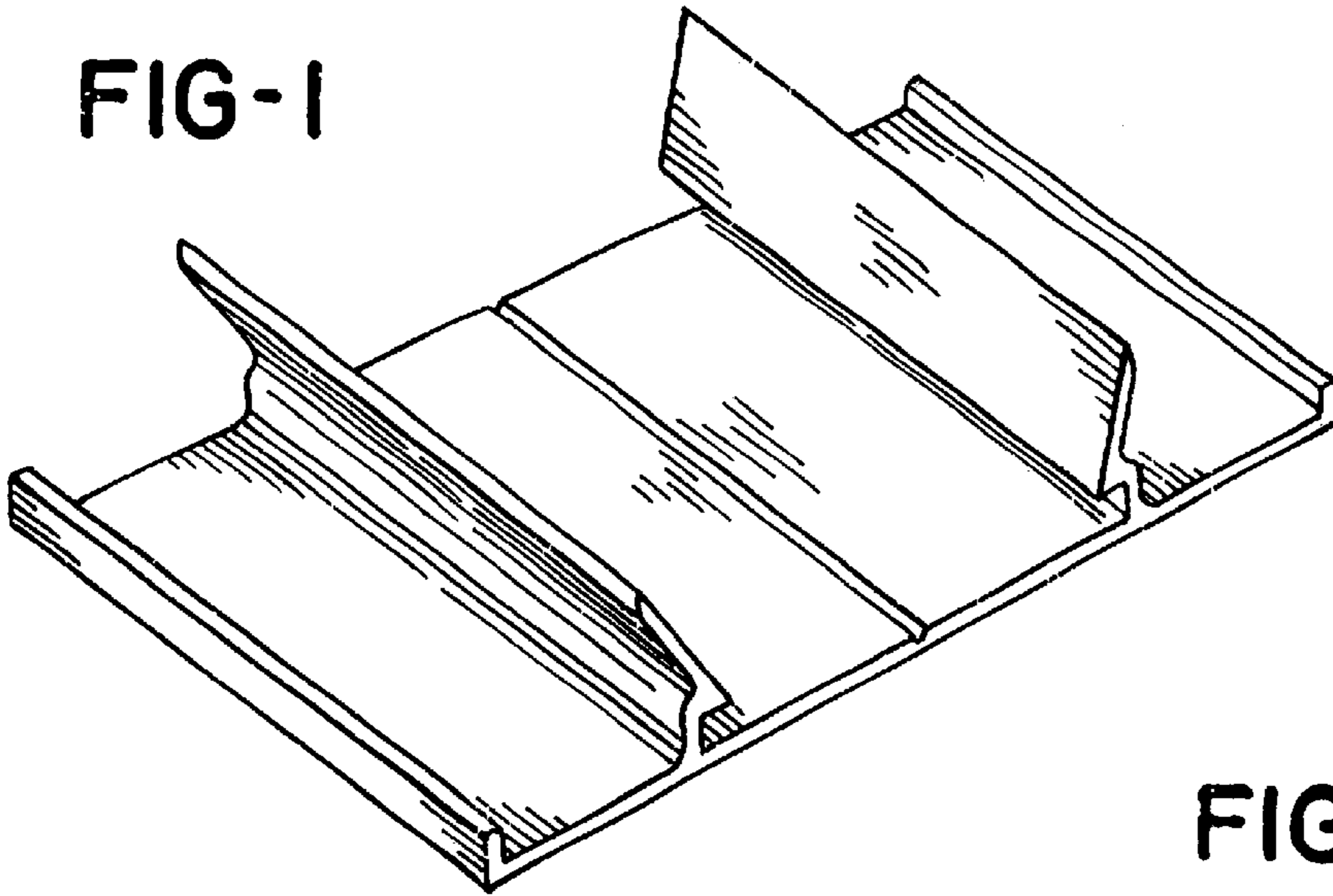


FIG-2

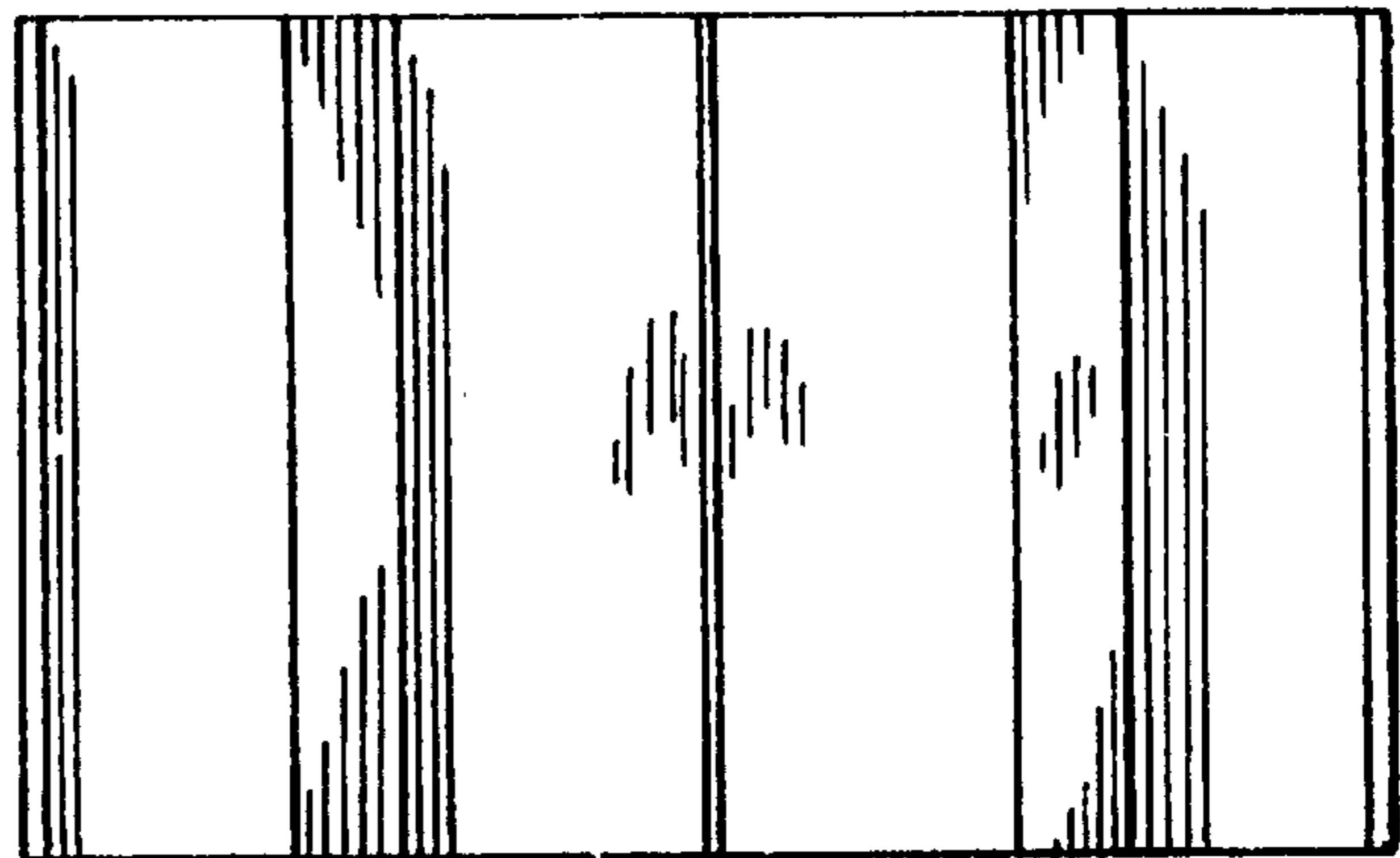


FIG-3

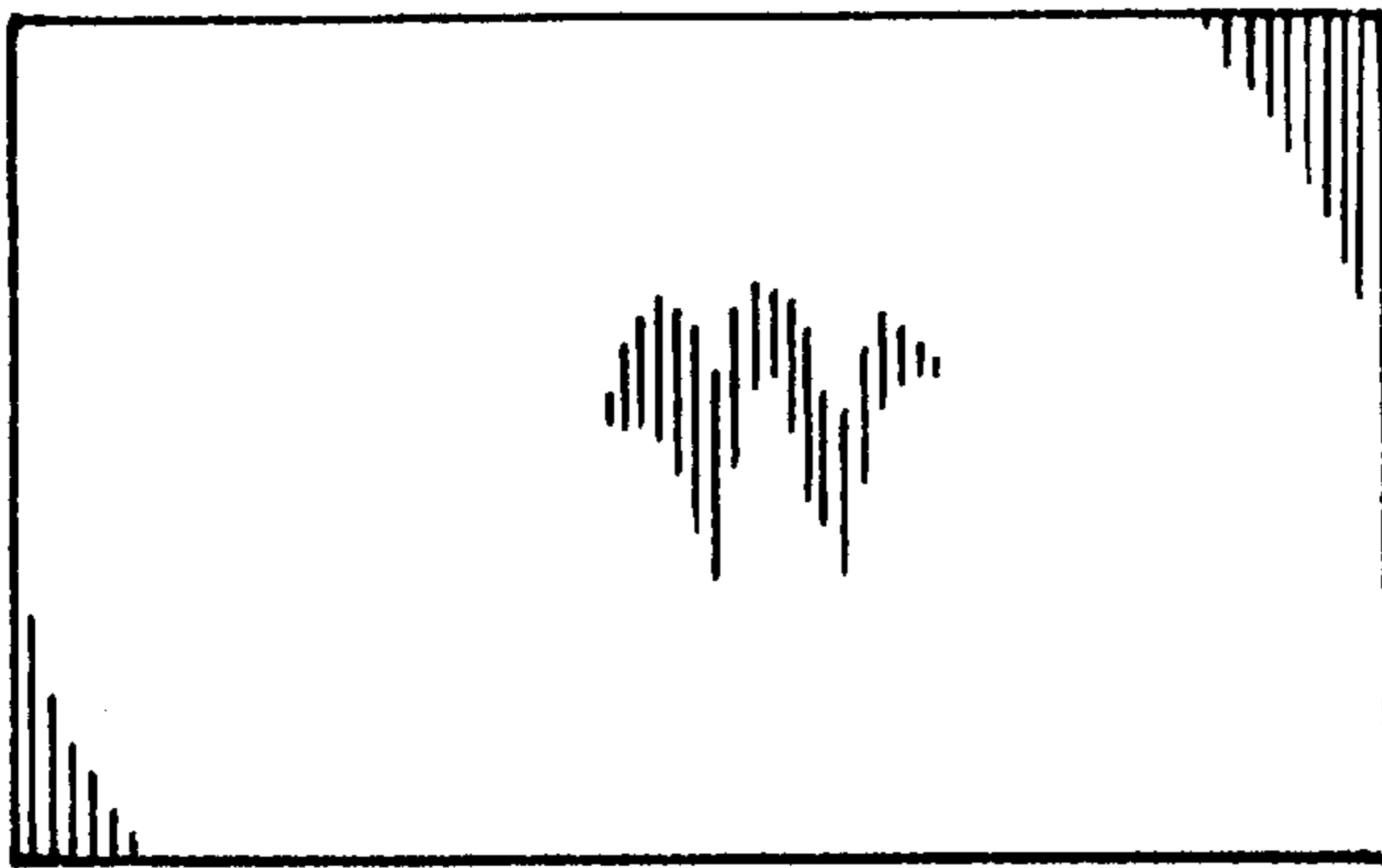


FIG-4



FIG-5

