



US00D462600S

(12) **United States Design Patent**
Gilbert et al.

(10) **Patent No.:** **US D462,600 S**

(45) **Date of Patent:** **** Sep. 10, 2002**

(54) **BOLT WITH ROUND HEAD**

(75) Inventors: **Stanley Gilbert**, Angola; **William Neely**, Fremont; **Brandon Walker**, Fremont; **Rodney Ridenour**, Fremont, all of IN (US)

(73) Assignee: **TransGuard Industries, Inc.**, Angola, IN (US)

(**) Term: **14 Years**

(21) Appl. No.: **29/147,310**

(22) Filed: **Aug. 27, 2001**

(51) **LOC (7) Cl.** **08-07**

(52) **U.S. Cl.** **D8/331; D8/387**

(58) **Field of Search** D8/331, 382, 387, D8/391, 393; 292/2, 237; 411/378-382, 455, 500, 508-511, 913-916

(56) **References Cited**

U.S. PATENT DOCUMENTS

373,291 A	*	11/1887	Higgs	411/497
4,158,335 A	*	6/1979	Belcastro	108/64
4,802,700 A	*	2/1989	Stevenson et al.	292/327
5,127,687 A	*	7/1992	Guiler	292/327
5,161,838 A	*	11/1992	Ely et al.	292/327
5,697,653 A	*	12/1997	Aigner et al.	292/2

5,732,989 A * 3/1998 Stevenson et al. 292/327

5,833,418 A * 11/1998 Shoji 411/396

6,265,973 B1 * 7/2001 Brammall et al. 340/568.1

* cited by examiner

Primary Examiner—Alan P. Douglas

Assistant Examiner—Clare E. Heflin

(74) *Attorney, Agent, or Firm*—Carella Byrne Bain Gilfillan Cecchi et al.; John G. Gilfillan, II; William Squire

(57) **CLAIM**

The ornamental design for a bolt with round head, as shown and described.

DESCRIPTION

FIG. 1 is a front elevation view showing the new design, the right side elevation, left side elevation and rear elevation views being the same;

FIG. 2 is a top plan view thereof;

FIG. 3 is a bottom plan view thereof; and

FIG. 4 is a top isometric view thereof.

FIGS. 5-8 are views of a second embodiment wherein:

FIG. 5 is a front elevation view, the rear view being a mirror image;

FIG. 6 is a top plan view thereof,

FIG. 7 is a bottom plan view thereof; and,

FIG. 8 is a top isometric view thereof.

1 Claim, 2 Drawing Sheets

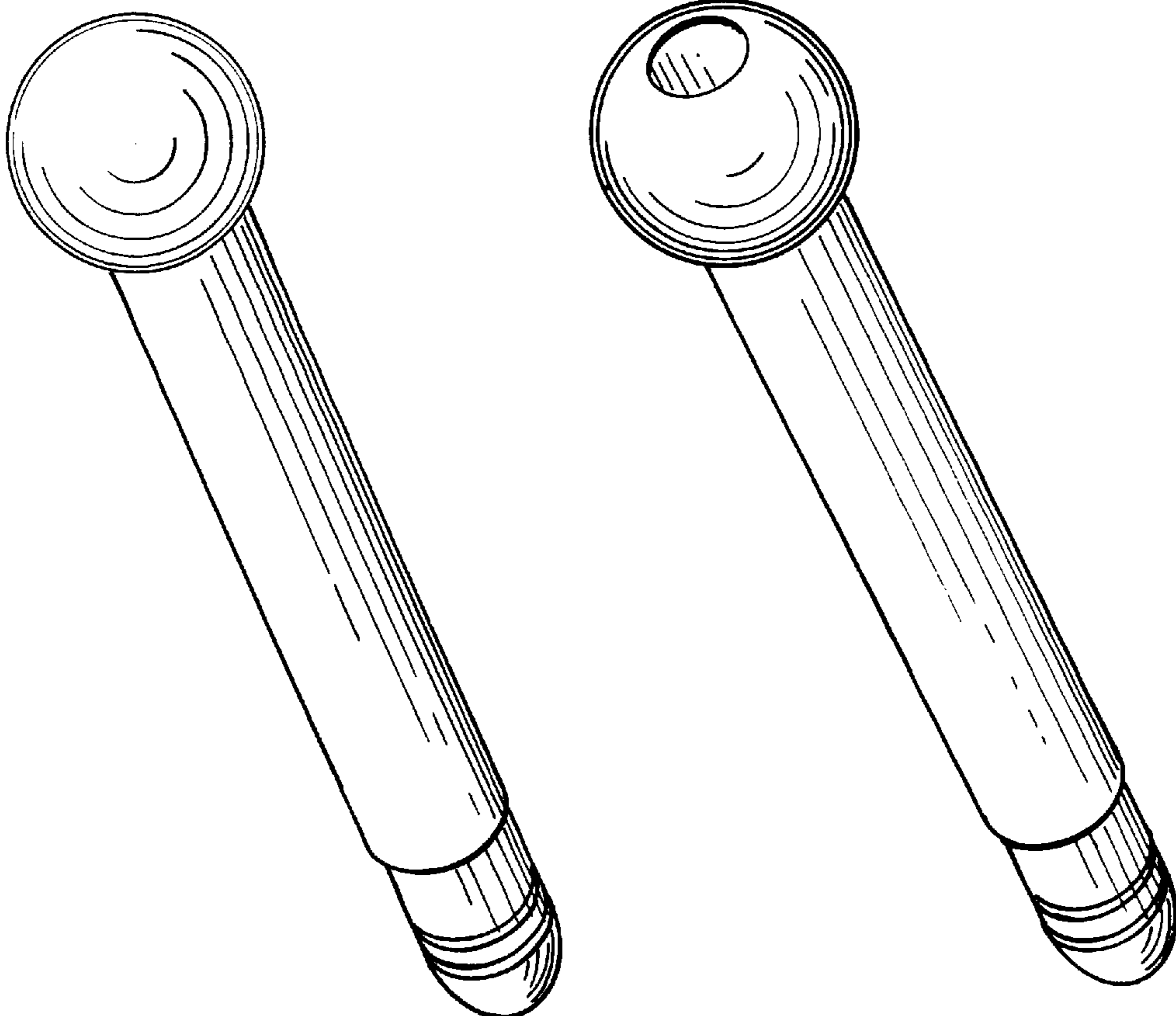


FIG. 1

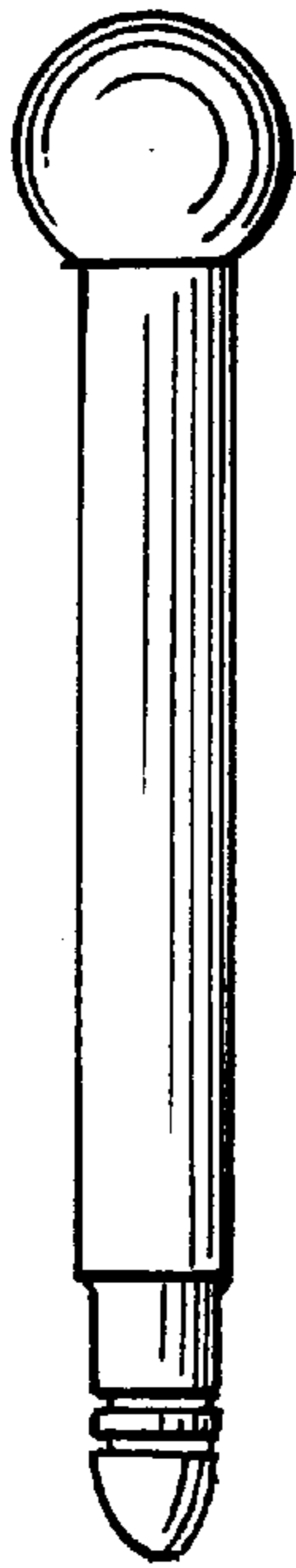


FIG. 4

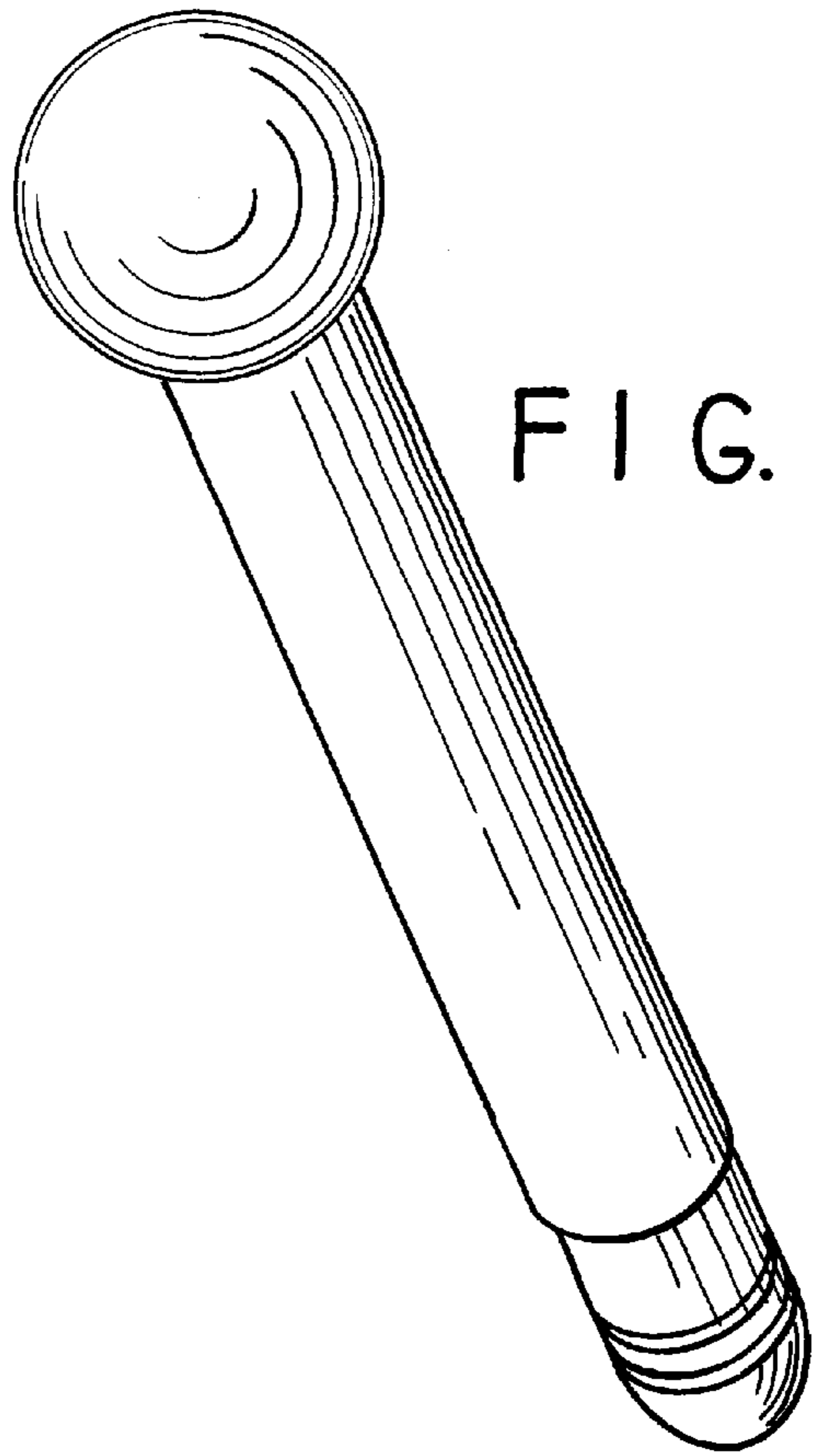


FIG. 2



FIG. 3



FIG. 5

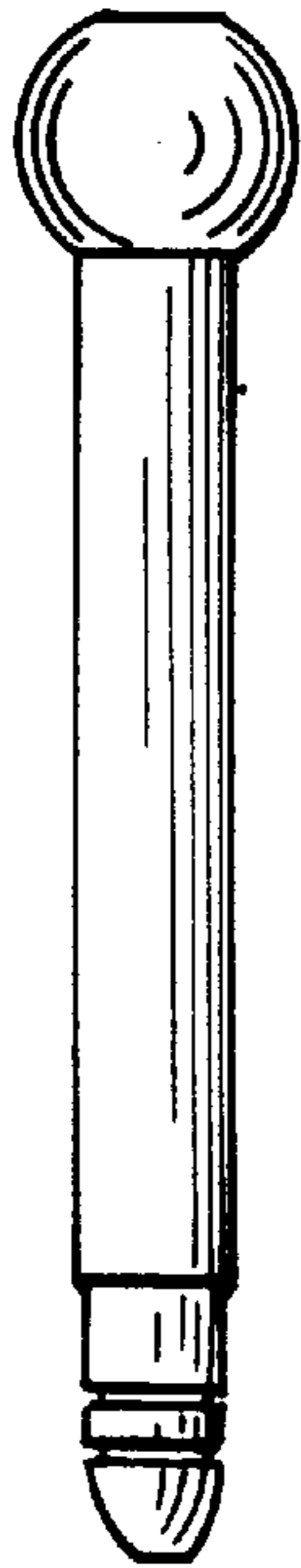


FIG. 8

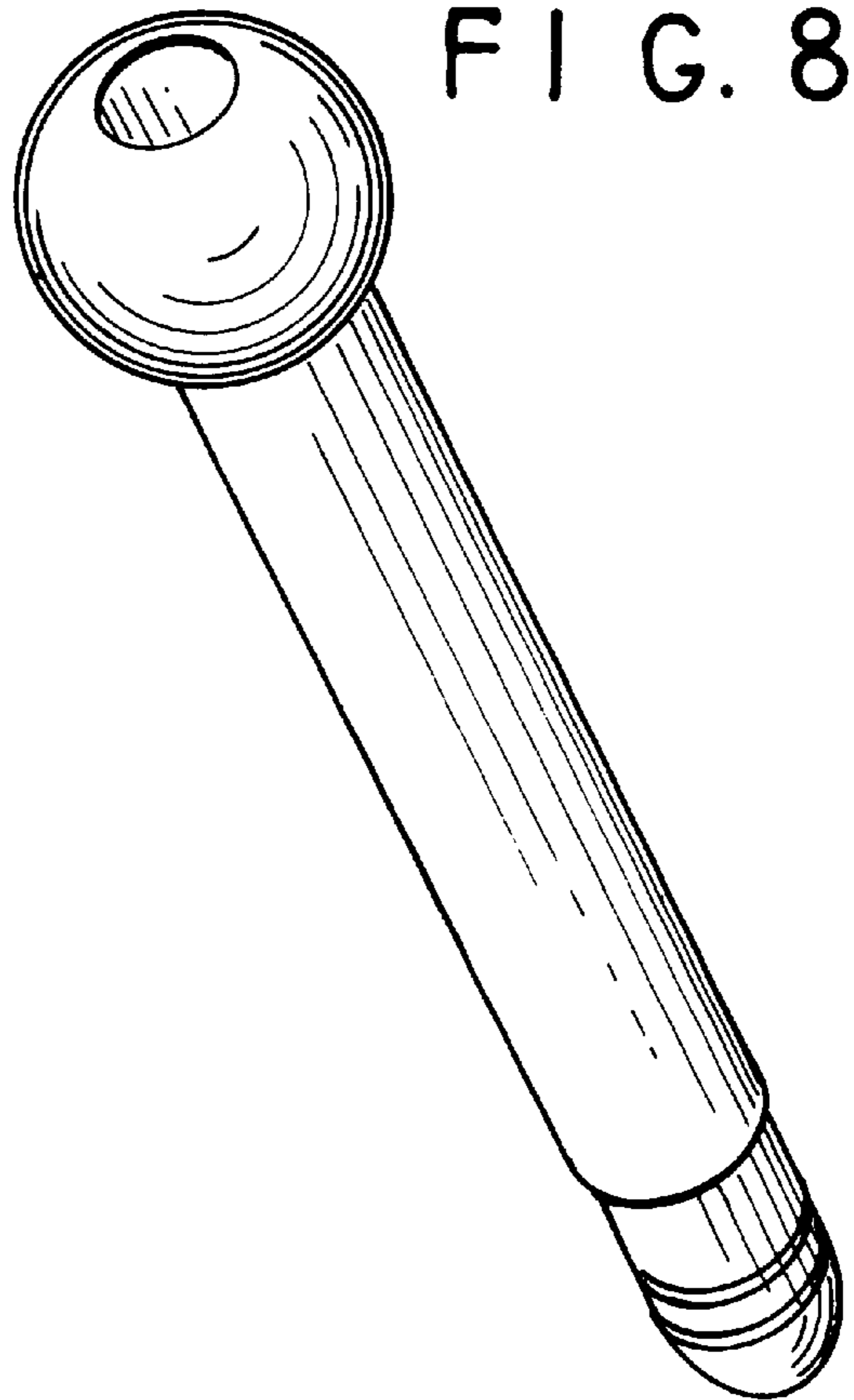


FIG. 6



FIG. 7

