



US00D462598S

(12) **United States Design Patent** (10) **Patent No.:** **US D462,598 S**
Becker (45) **Date of Patent:** **** Sep. 10, 2002**

(54) **ARTICULATING ROTARY CONTROL KNOB**

(75) Inventor: **Theodore A. Becker**, Cleveland, TN (US)

(73) Assignee: **Maytag Corporation**, Newton, IA (US)

(**) Term: **14 Years**

(21) Appl. No.: **29/149,927**

(22) Filed: **Oct. 23, 2001**

(51) **LOC (7) Cl.** **08-06**

(52) **U.S. Cl.** **D8/306; D8/307**

(58) **Field of Search** D8/300, 305-307, D8/310, 311; D23/250; D7/393; D3/12, 14-16; D21/386, 390, 484, 488, 480, 503; 273/294, 289, 156, 157; 219/506; 200/336; 403/375, 381; 74/553, 555, 557

(56) **References Cited**

U.S. PATENT DOCUMENTS

D141,840	S	*	7/1945	Stewart	D8/307
2,798,404	A		7/1957	Schaefer et al.		
D182,752	S	*	5/1958	Young	D23/250
3,066,550	A		12/1962	Sundberg		
4,018,465	A		4/1977	Ramler		
4,219,232	A		8/1980	Kouth		
4,616,524	A	*	10/1986	Bidoia	16/441
D325,865	S	*	5/1992	Del Corno	D8/306
5,128,503	A		7/1992	Frantz		
D344,786	S	*	3/1994	Short et al.	D8/311
5,585,578	A		12/1996	Shimotori		
6,035,492	A		3/2000	Warshaviak		

* cited by examiner

Primary Examiner—B. J. Bullock

(74) *Attorney, Agent, or Firm*—Diederiks & Whitelaw, PLC

(57) **CLAIM**

The ornamental design for an articulating rotary control knob, as shown and described.

DESCRIPTION

FIG. 1 is a top right perspective view of my articulating rotary control knob with pivoting grip, shown on an exemplary cooktop of a cooking appliance;

FIG. 2 is an enlarged top right perspective view of the articulating rotary control knob of my design, with a portion of the control knob shown in a retracted condition;

FIG. 3 is a top right perspective view of the articulating rotary control knob of FIG. 2, with the portion of the control knob shown in an extended condition;

FIG. 4 is a front elevational view of the articulating rotary control knob in its retracted condition;

FIG. 5 is a top plan view of the articulating rotary control knob of FIG. 2;

FIG. 6 is a right elevational view of the articulating rotary control knob in the retracted condition of FIG. 2, with the left elevational view being a mirror image;

FIG. 7 is a rear elevational view of the articulating rotary control knob in the retracted condition of FIG. 2;

FIG. 8 is a bottom plan view of the articulating rotary control knob;

FIG. 9 is a front elevational view of the articulating rotary control knob, with the portion of the control knob shown in its extended condition;

FIG. 10 is a top plan view of the articulating rotary control knob of FIG. 3;

FIG. 11 is a right elevational view of the articulating rotary control knob in the extended condition of FIG. 3, with the left elevational view being a mirror image; and,

FIG. 12 is a rear elevational view of the articulating rotary control knob in the extended condition of FIG. 3.

The broken lines showing the cooktop in FIG. 1, a lower boss on the articulating rotary control knob in each of FIGS. 4, 6, 7-9, 11 and 12, and the mounting hole in FIG. 8 are for illustrative purposes only and form no part of the claimed invention.

1 Claim, 4 Drawing Sheets

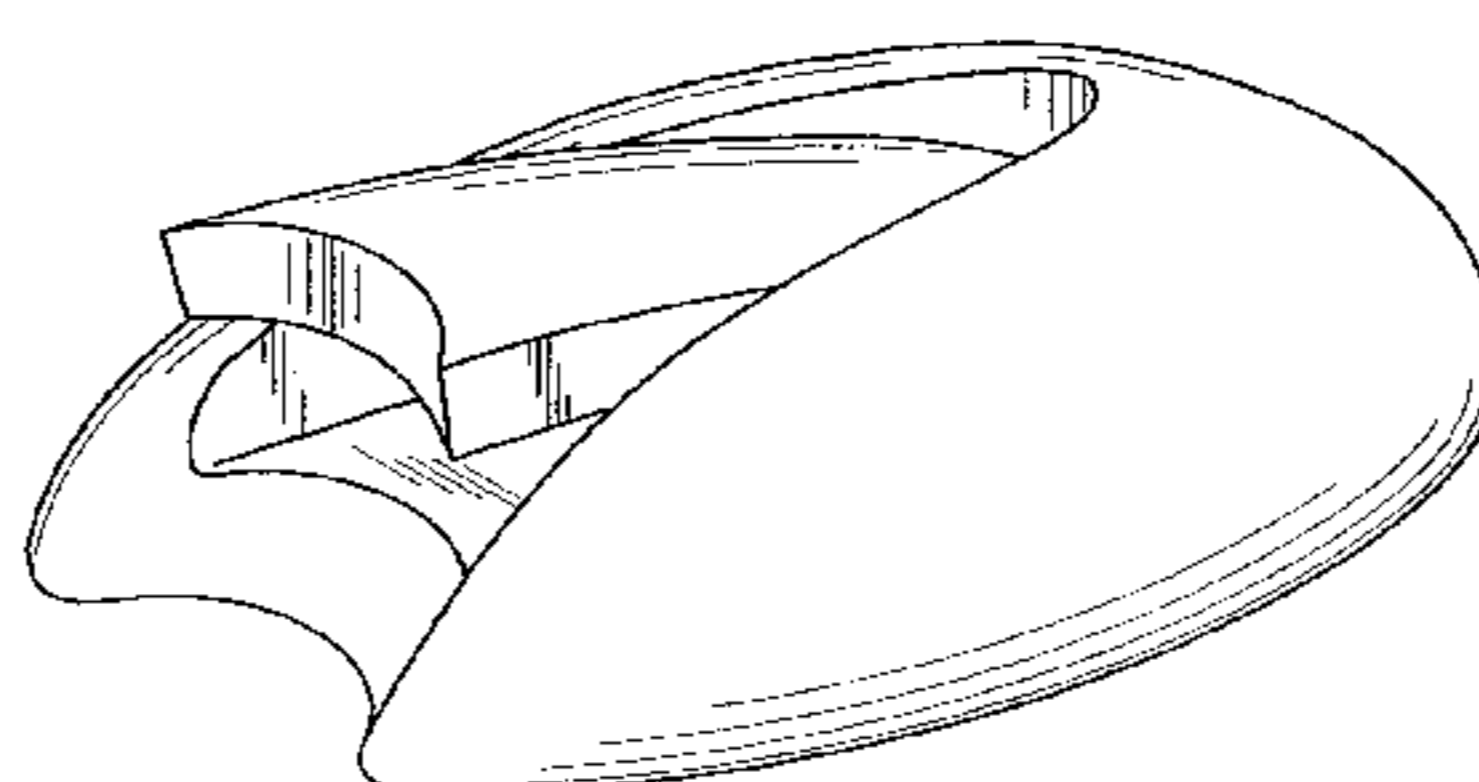
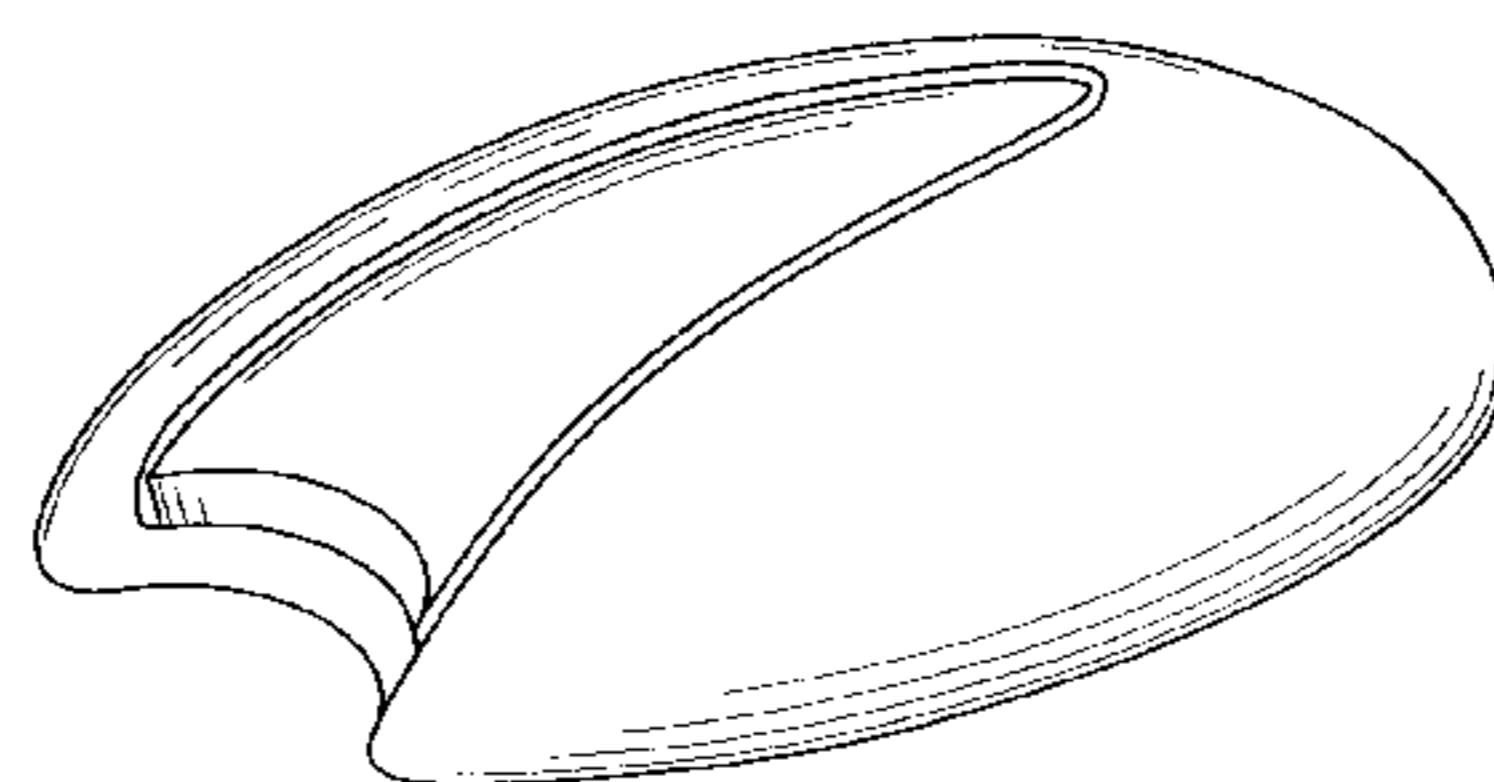


FIG. 1

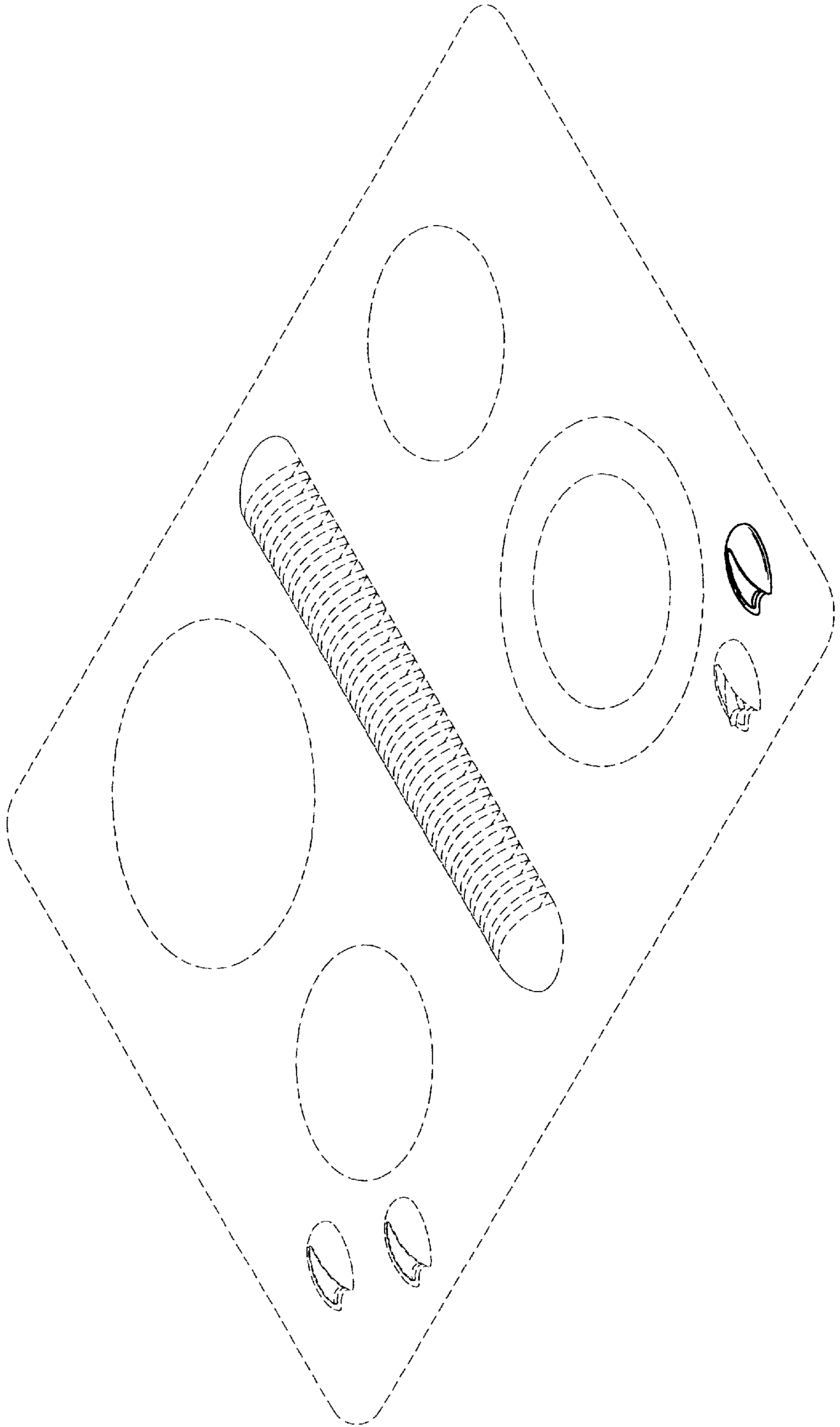


FIG. 2

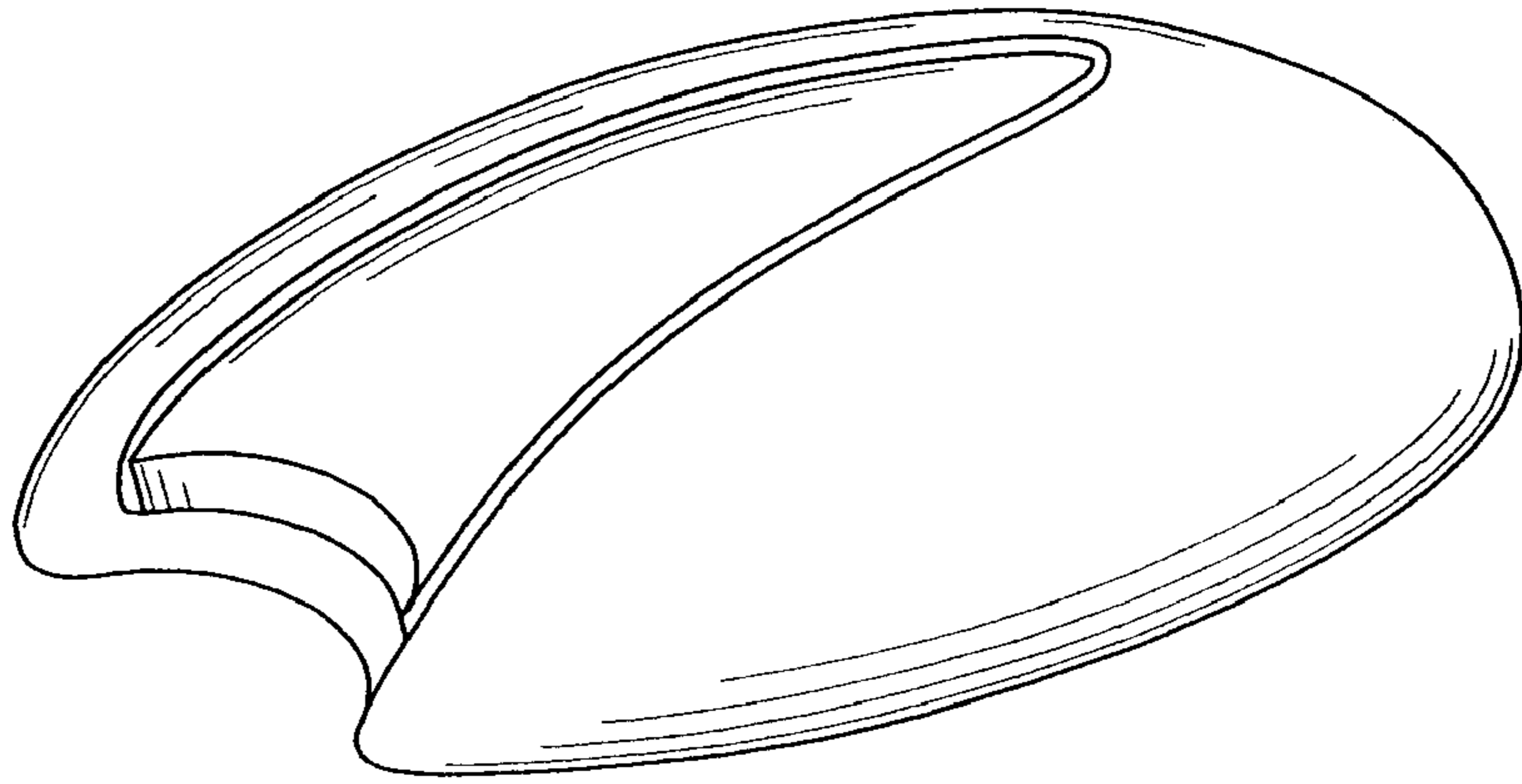


FIG. 3

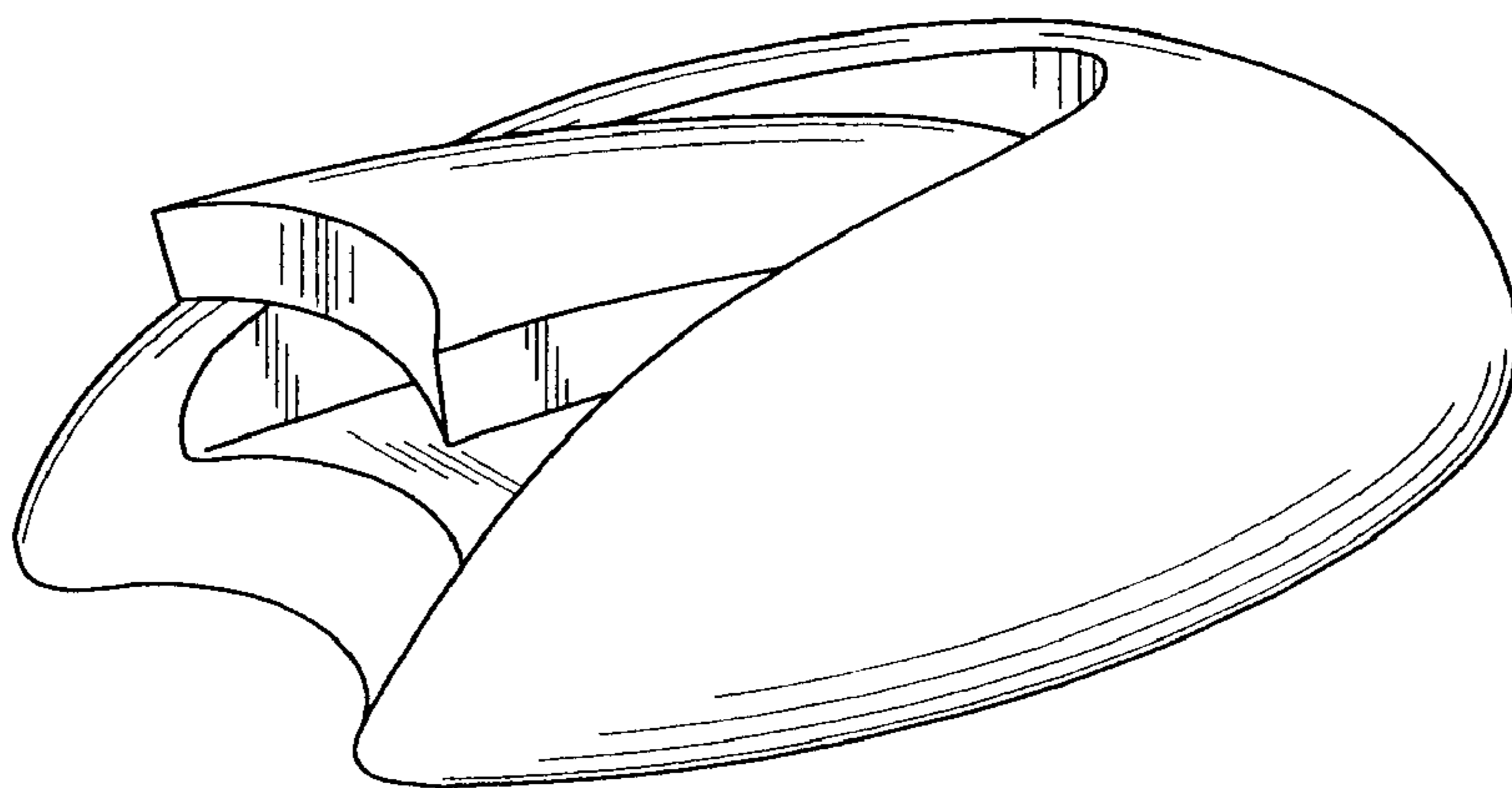


FIG. 4

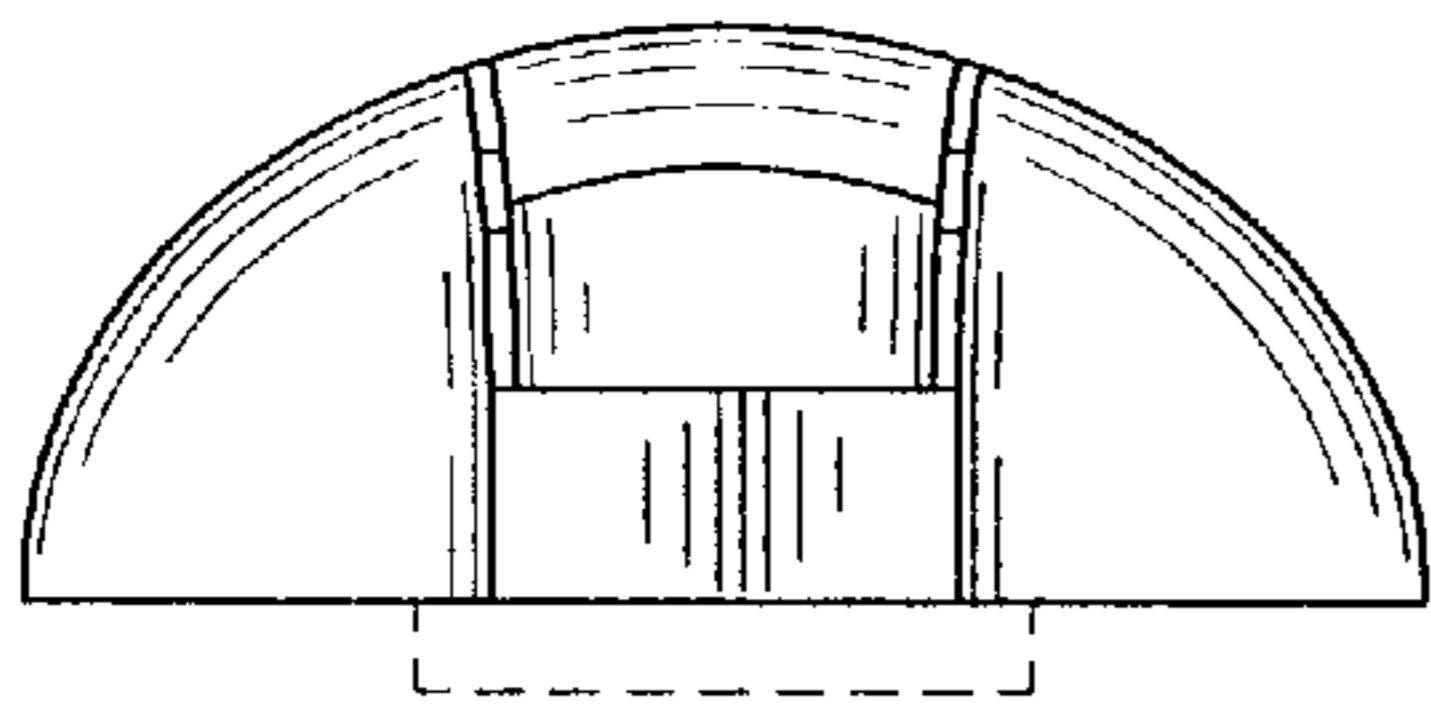


FIG. 5

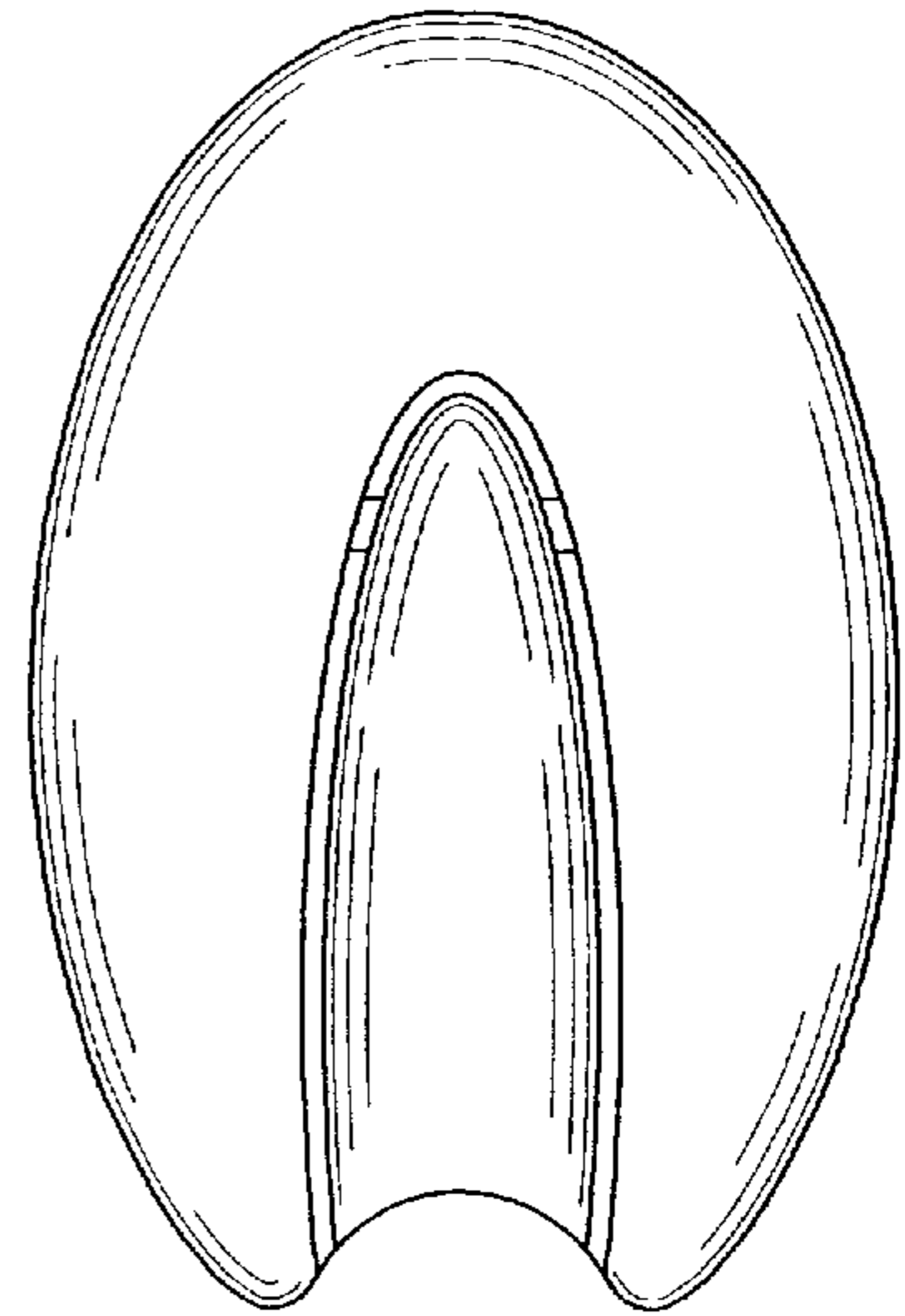


FIG. 6

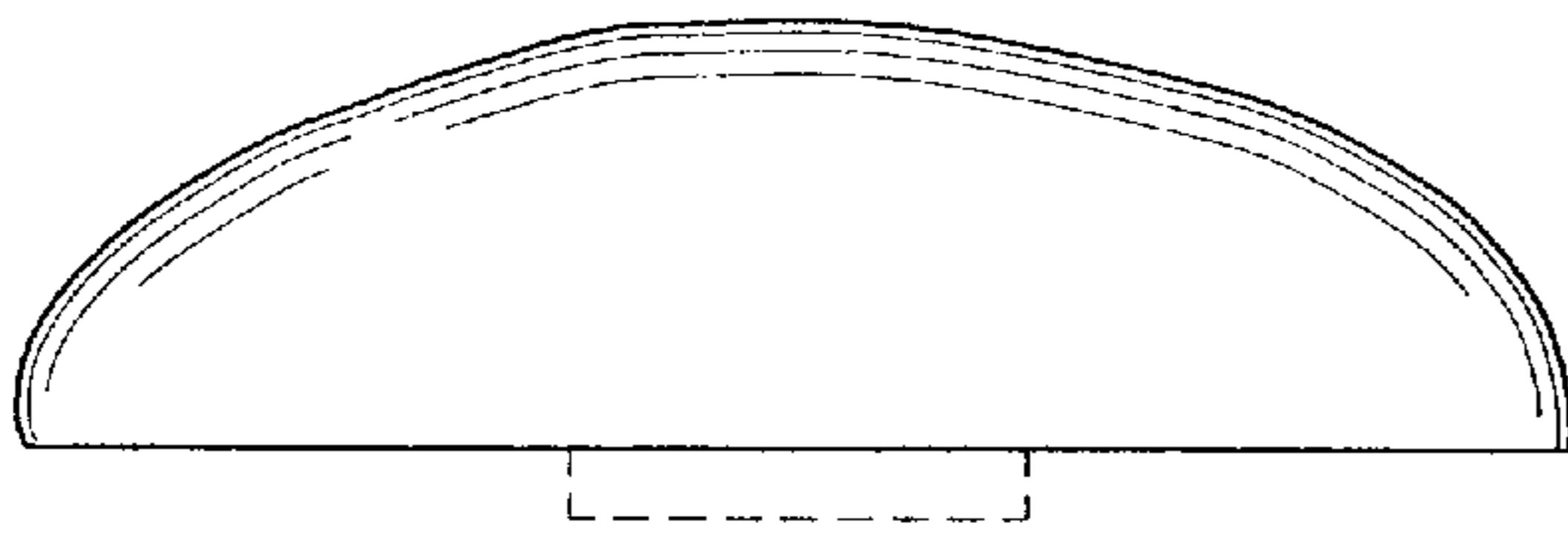


FIG. 8

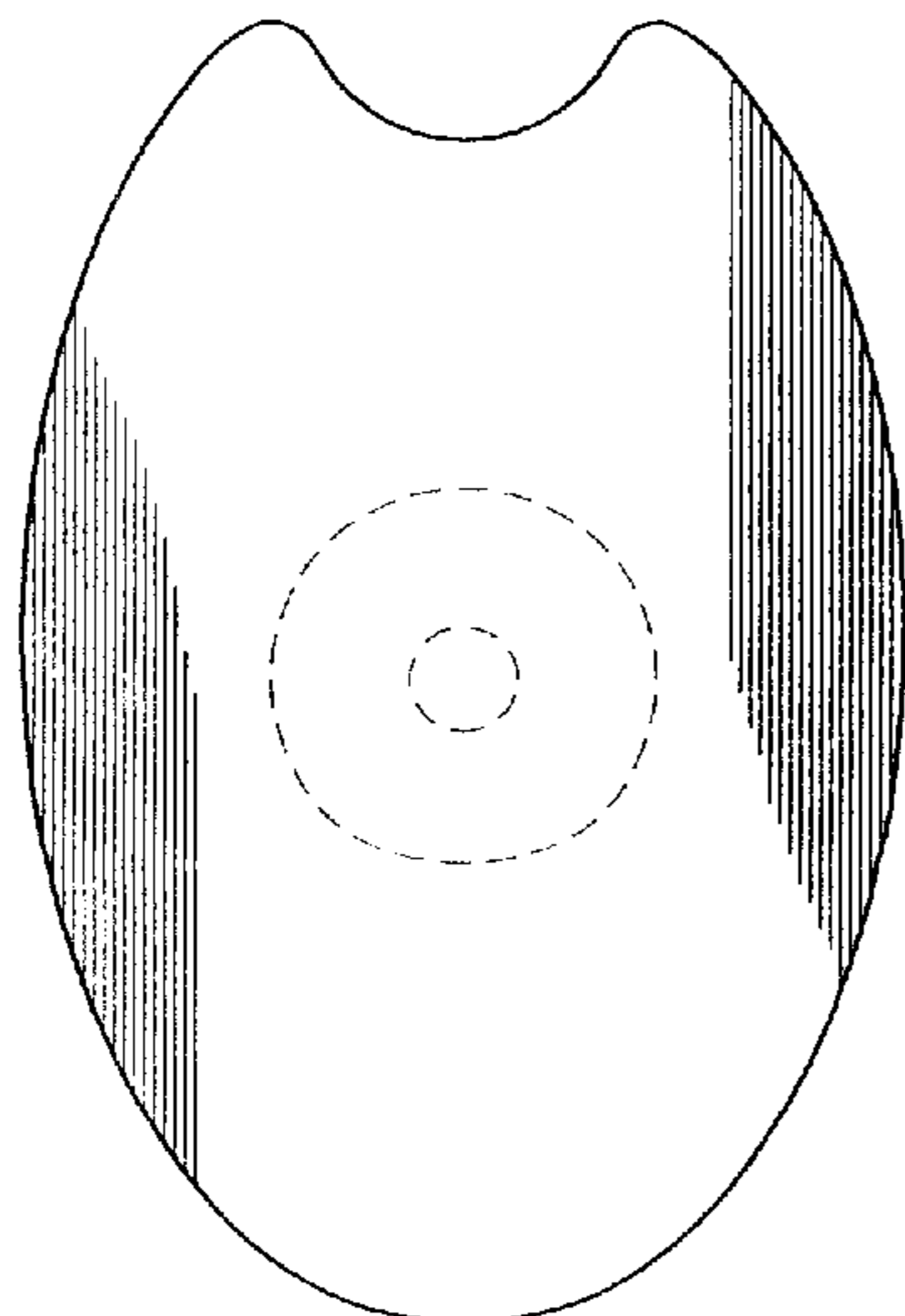


FIG. 7

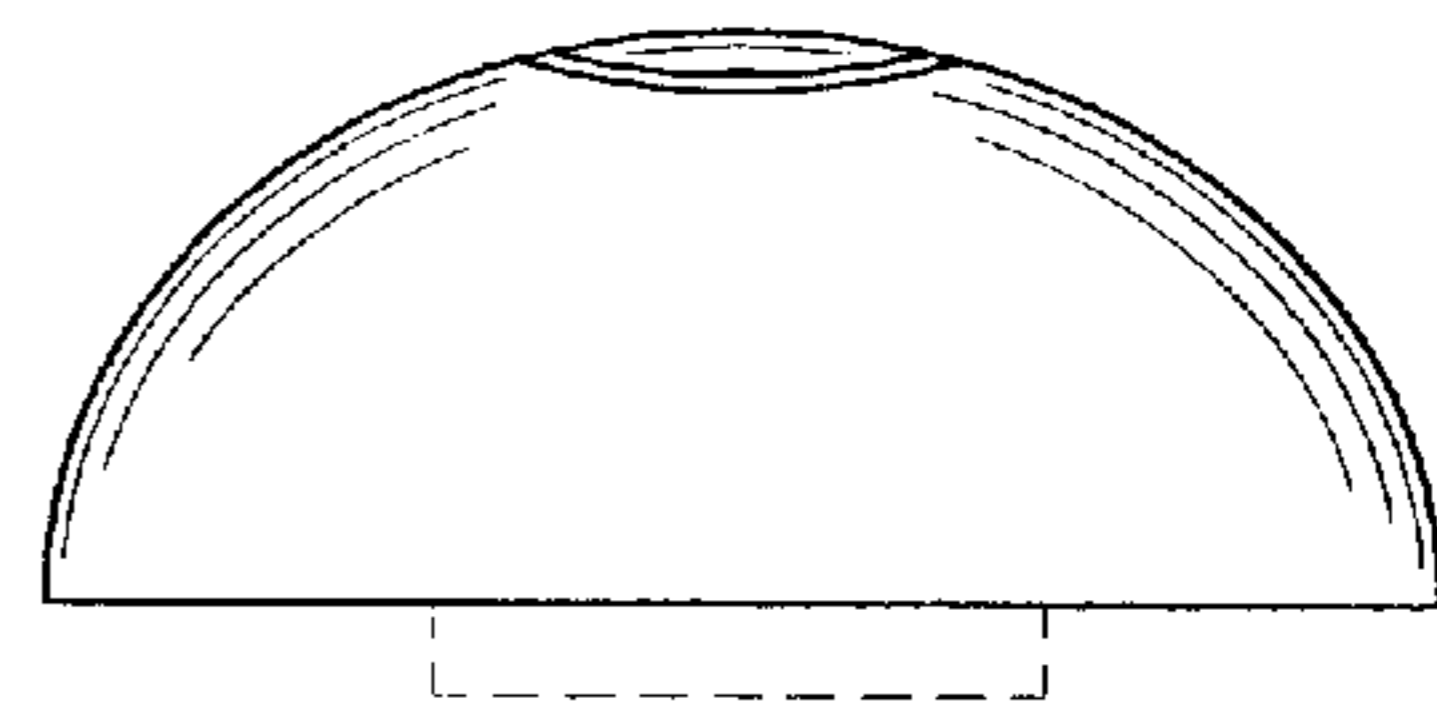


FIG. 9

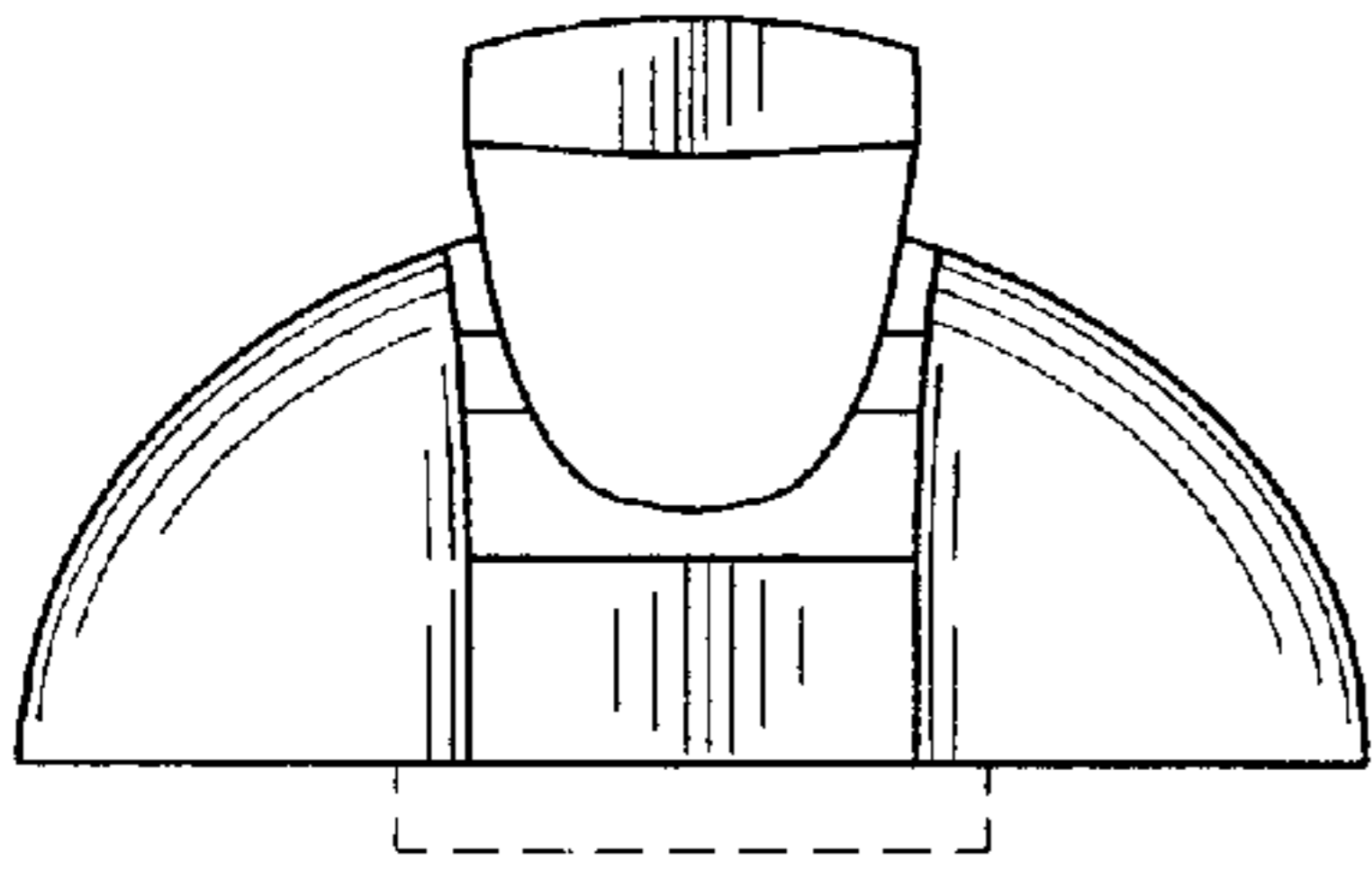


FIG. 10

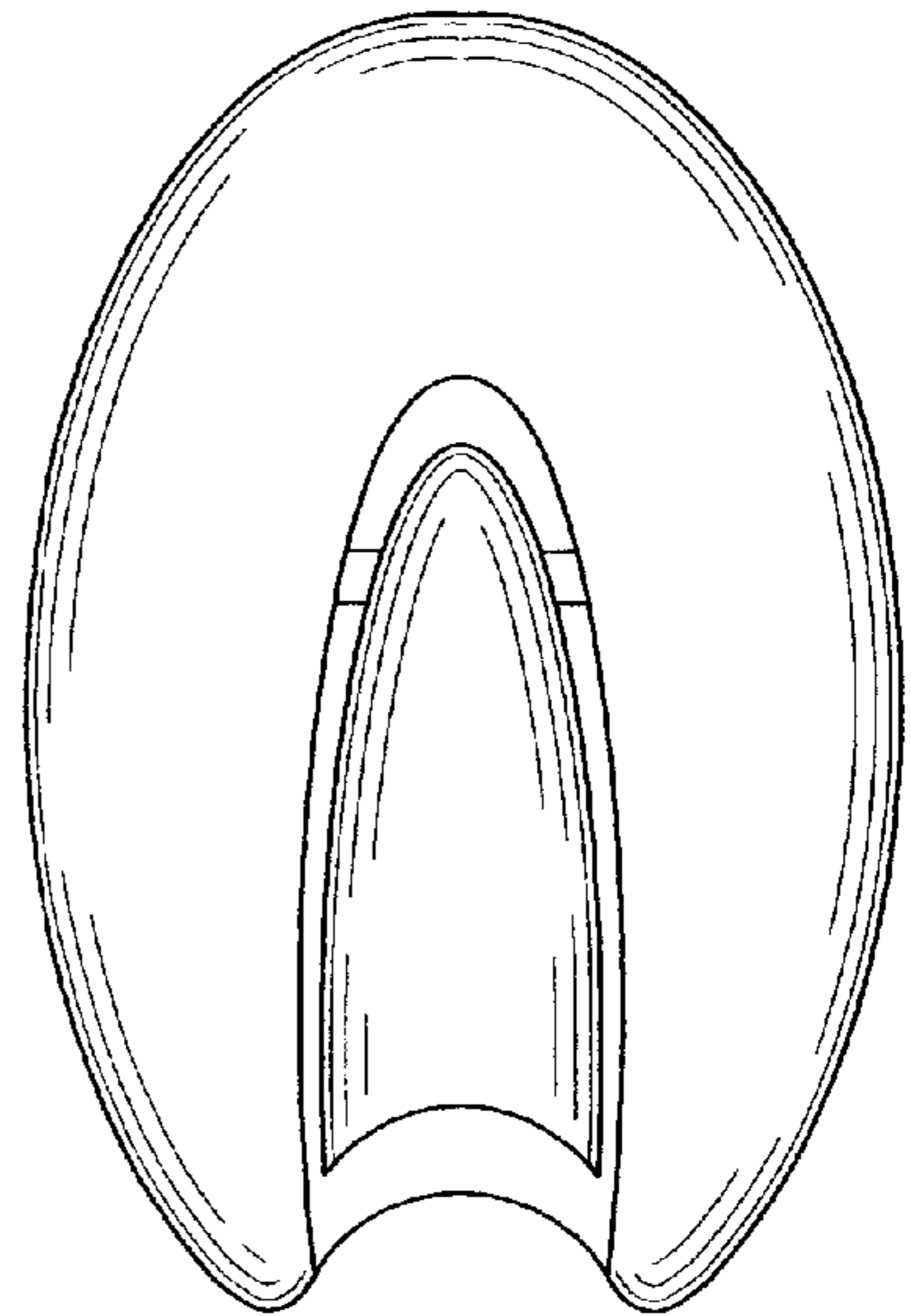


FIG. 11

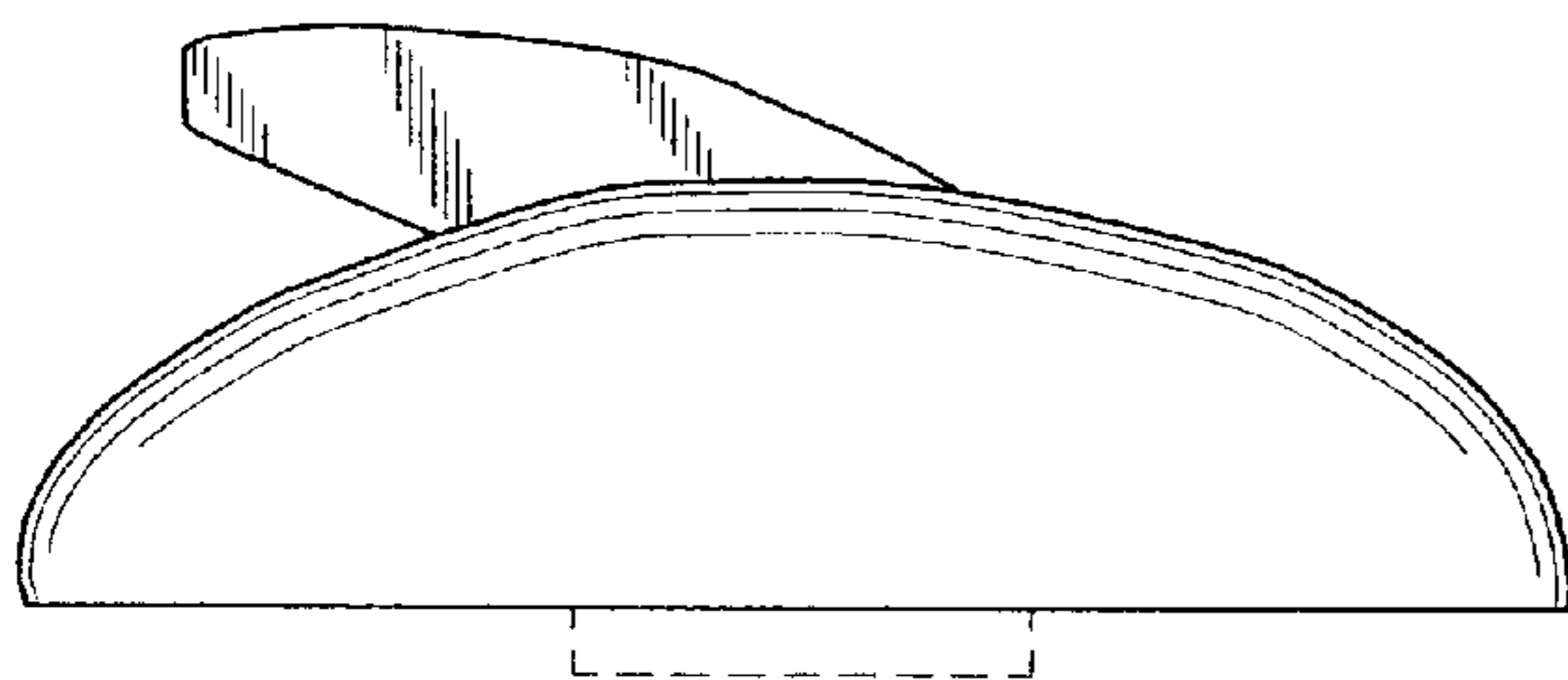


FIG. 12

