



US00D462597S

(12) **United States Design Patent**
Deshler

(10) **Patent No.:** **US D462,597 S**

(45) **Date of Patent:** **** Sep. 10, 2002**

(54) **SANDING BLOCK**

D371,948 S * 7/1996 Liu D8/90

(76) **Inventor:** **Donald T. Deshler**, 414 N. Cambridge St., Orange, CA (US) 92866

* cited by examiner

(**) **Term:** **14 Years**

Primary Examiner—Philip S. Hyder
(74) *Attorney, Agent, or Firm*—Roy A. Ekstrand

(21) **Appl. No.:** **29/147,723**

(57) **CLAIM**

(22) **Filed:** **Sep. 5, 2001**

The ornamental design for a sanding block, as shown and described.

(51) **LOC (7) Cl.** **08-05**

DESCRIPTION

(52) **U.S. Cl.** **D8/90**

(58) **Field of Search** D8/14, 90, 91,
D8/92, 93; 451/515, 525, 557, 502, 514,
512, 513, 522

FIG. 1 sets forth a perspective view of a sanding block showing the new design;

FIG. 2 is a front view thereof, the rear view being identical thereto;

FIG. 3 is a top view thereof;

FIG. 4 is a left side view thereof;

FIG. 5 is a bottom view thereof; and,

FIG. 6 is a right side view thereof.

(56) **References Cited**

U.S. PATENT DOCUMENTS

- 5,168,672 A * 12/1992 Gregoire, Sr. 451/502
- 5,245,797 A * 9/1993 Milkie 451/502
- D354,666 S * 1/1995 Kriebel D8/90
- 5,474,490 A * 12/1995 Allport 451/502

1 Claim, 3 Drawing Sheets

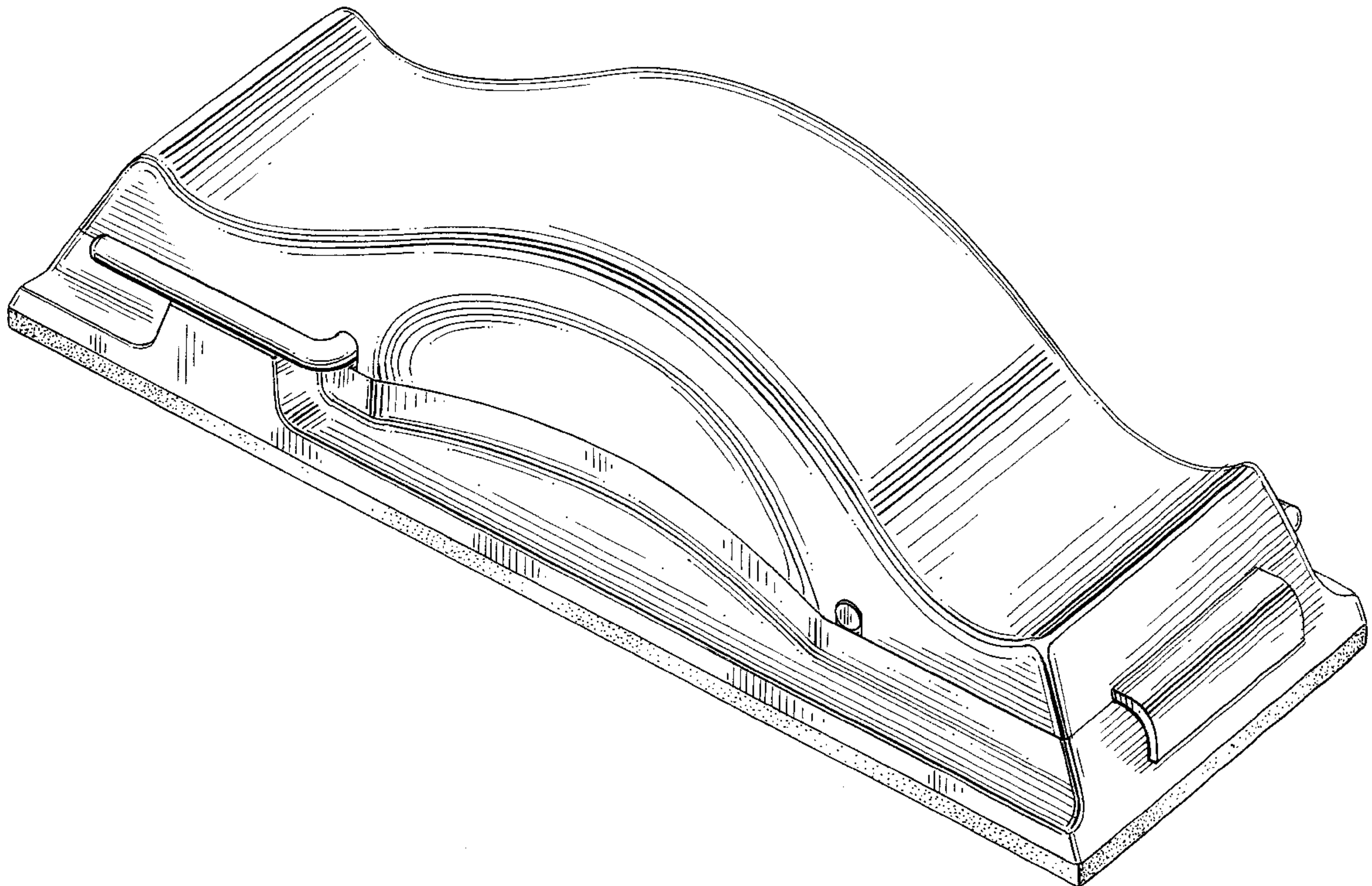


FIG. 1

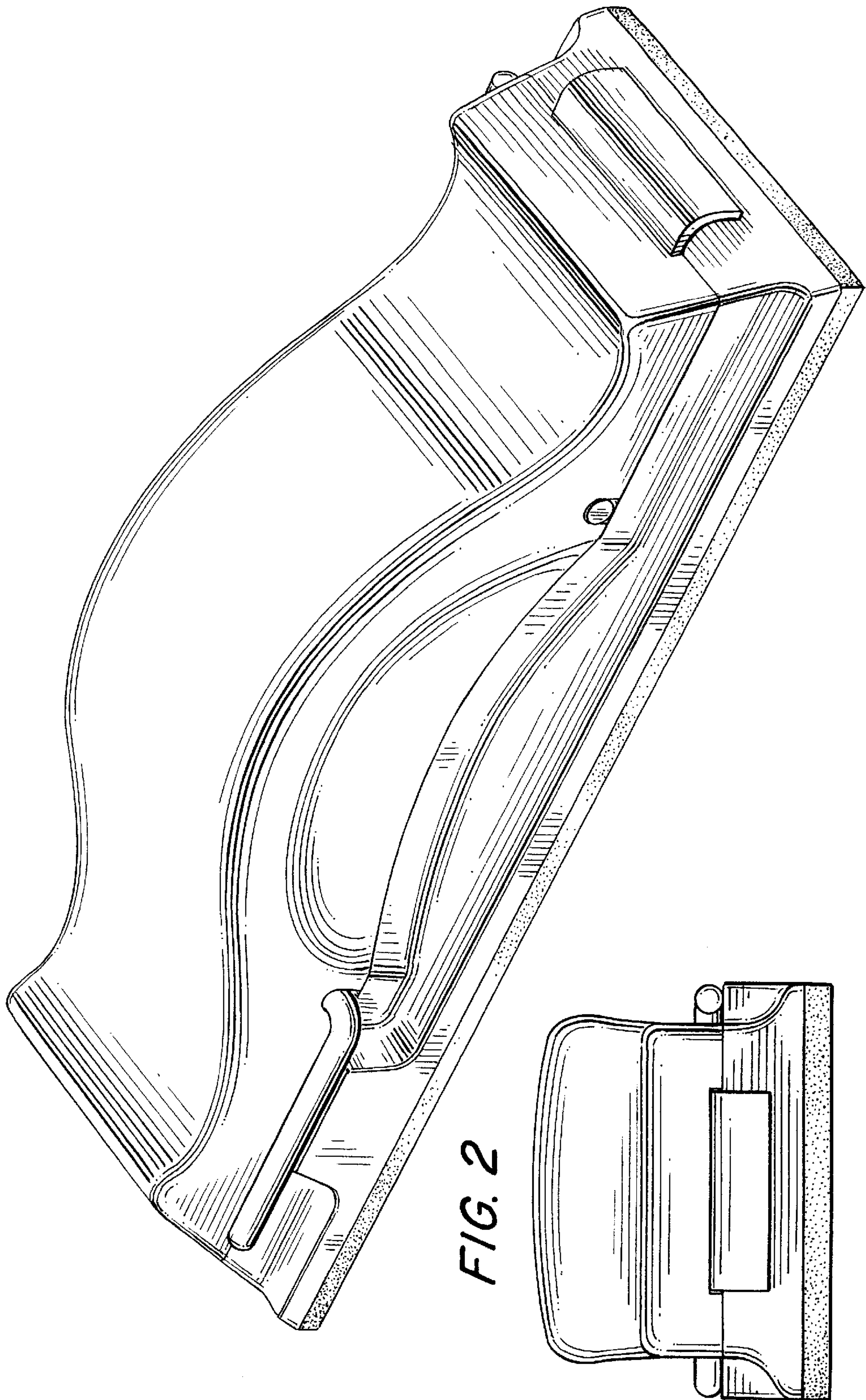


FIG. 2

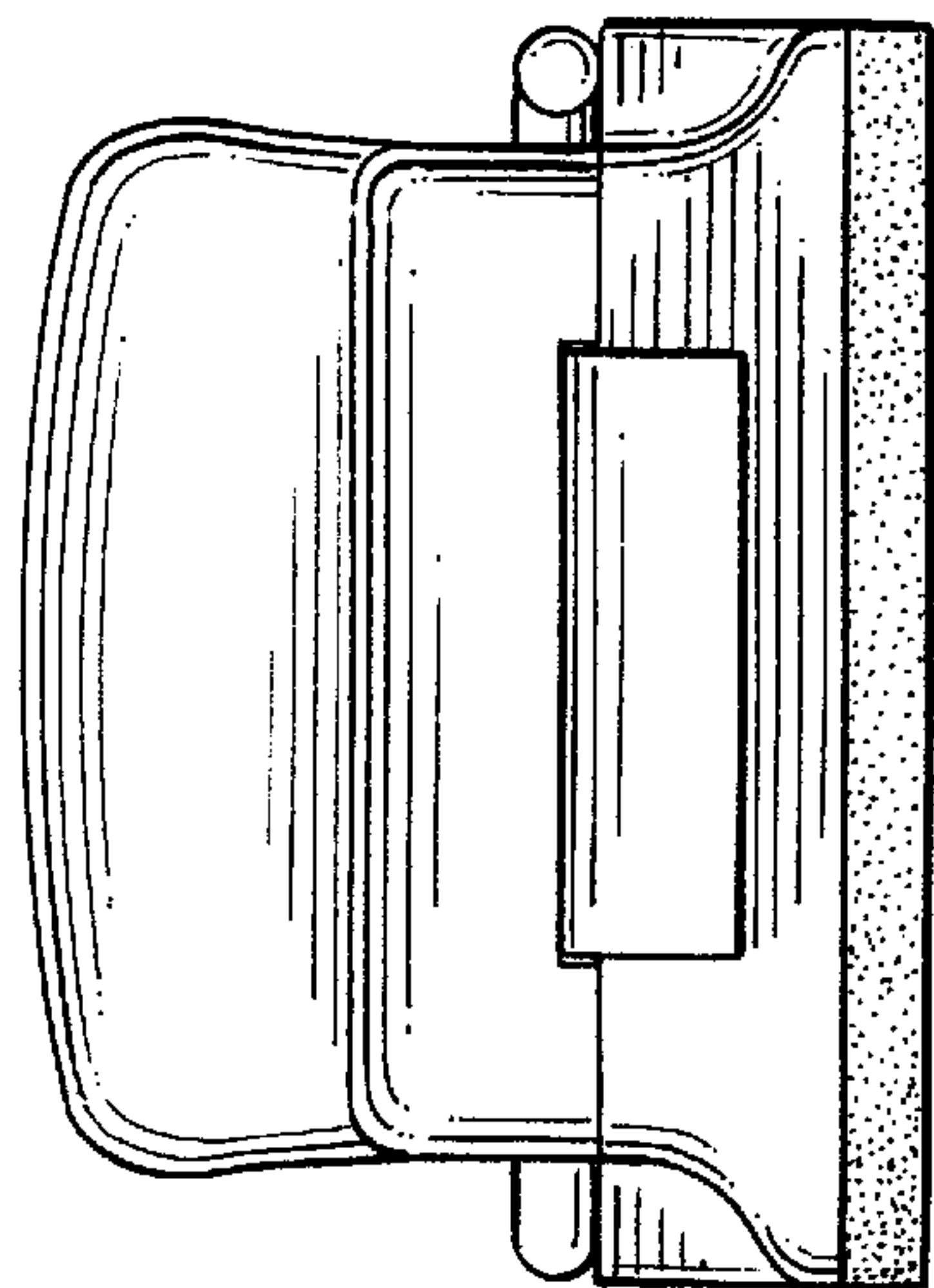


FIG. 3

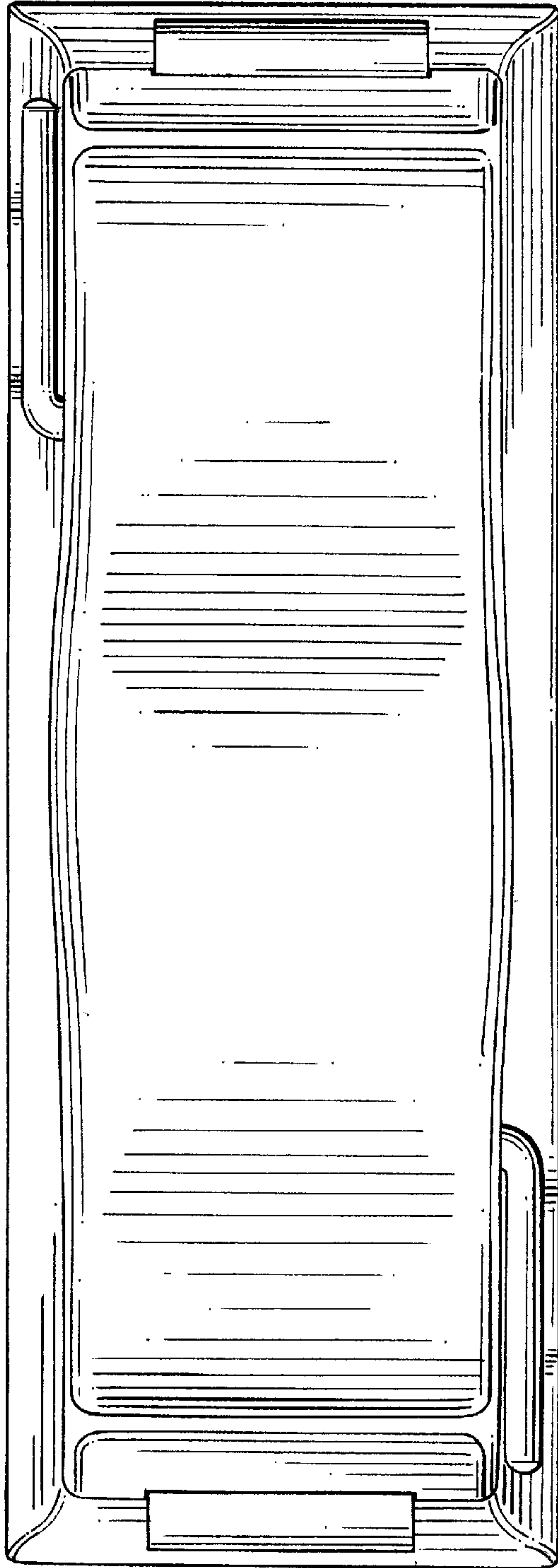
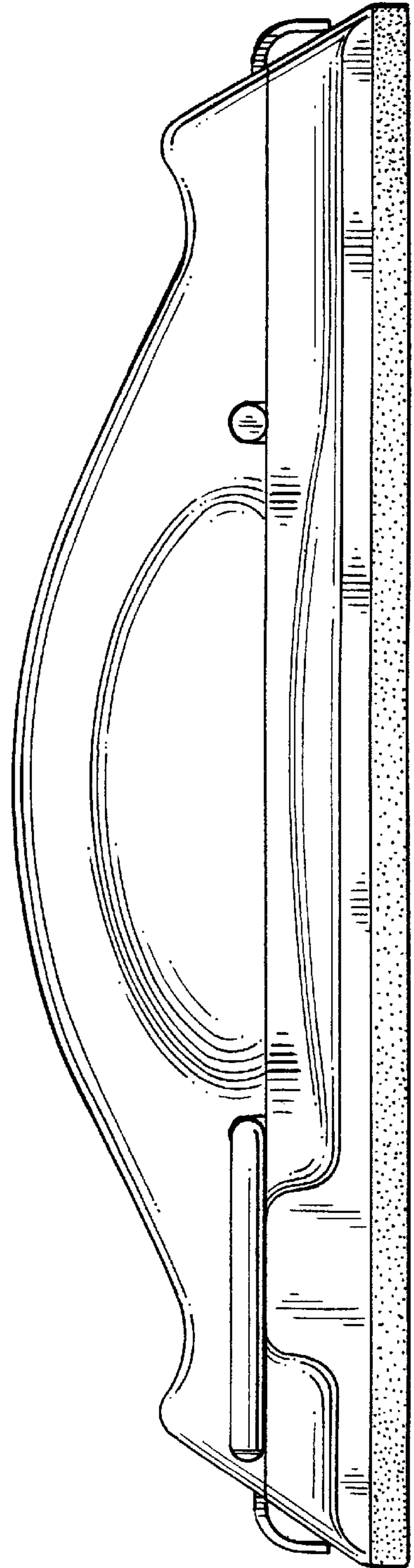


FIG. 4



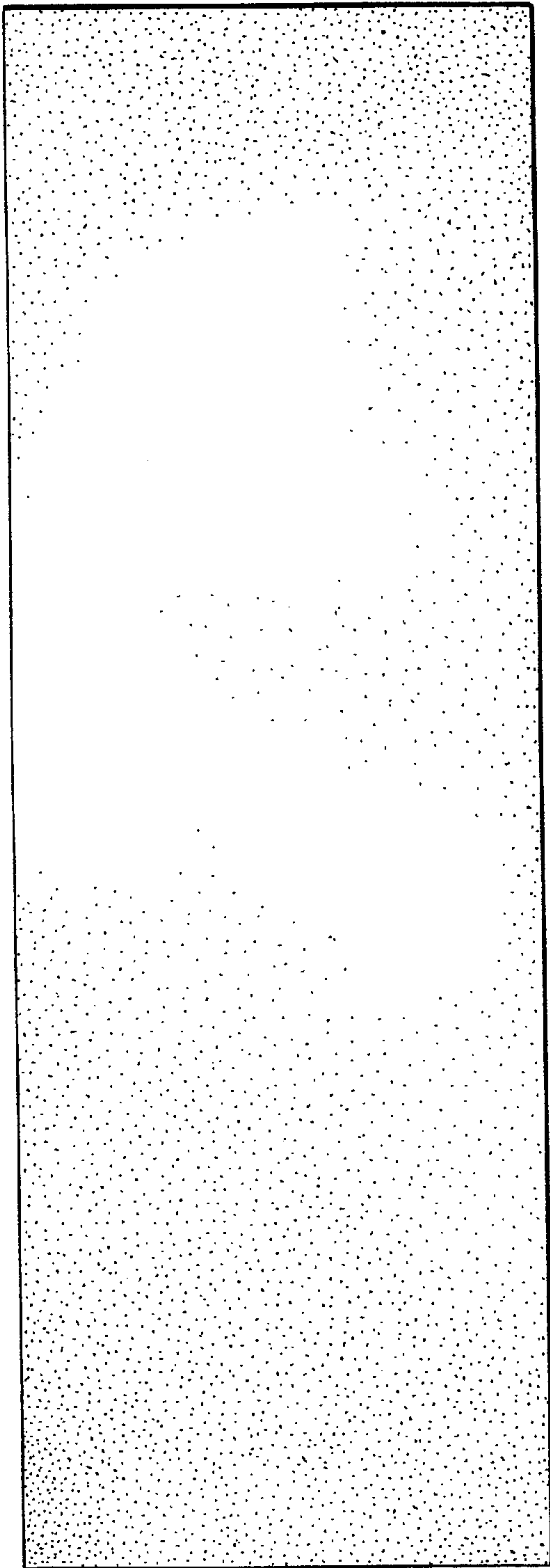


FIG. 5

FIG. 6

