



US00D462594S

(12) **United States Design Patent**  
**Flickinger**

(10) **Patent No.:** **US D462,594 S**

(45) **Date of Patent:** **\*\* Sep. 10, 2002**

- (54) **CORDLESS IMPACT WRENCH**
- (75) Inventor: **Sean Flickinger**, Felton, PA (US)
- (73) Assignee: **Black & Decker Inc.**, Newark, DE (US)
- (\*\*) Term: **14 Years**
- (21) Appl. No.: **29/150,654**
- (22) Filed: **Nov. 27, 2001**
- (51) **LOC (7) Cl.** ..... **08-05**
- (52) **U.S. Cl.** ..... **D8/68**
- (58) **Field of Search** ..... D8/61, 62, 63, D8/64, 65, 66, 67, 68, 69, 70, 107; 29/243.525; 74/371; 81/52, 54, 55, 57, 57.11, 57.13, 57.14, 57.42, 57.43, 177.1, 177.4, 177.6, 177.85, 409, 429, 436, 463, 464, 466, 474, 900, 901, DIG. 12; 173/13, 15, 47, 48, 90, 91, 92, 93, 93.5, 93.6, 109, 112, 122, 164, 169, 170, 171, 176, 213, 216, 217; 227/51, 81, 138; 279/9.1, 19.3, 62, 137, 142, 147, 149, 158; 310/50; 320/114; 408/20, 120, 122, 124, 125, 234, 241 R, 241 S; 451/344, 354, 357, 358, 359, 456

- D340,396 S \* 10/1993 Ichikawa ..... D8/68
- D342,430 S 12/1993 Saito et al.
- D345,090 S 3/1994 Okumura
- D345,682 S 4/1994 Sasaki et al.
- D368,214 S \* 3/1996 Zurwelle ..... D8/68
- 5,526,460 A 6/1996 DeFrancesco et al.
- D392,863 S 3/1998 Sugimoto et al.
- D400,416 S 11/1998 Zurwelle
- D411,947 S 7/1999 Sugimoto et al.
- 6,066,938 A 5/2000 Hyodo et al.
- D424,902 S 8/2000 Gildersleeve et al.
- D431,766 S 10/2000 Zurwelle
- D437,761 S 2/2001 Okumura et al.
- D446,704 S 8/2001 Shibata et al.

\* cited by examiner

*Primary Examiner*—Doris V. Coles  
*Assistant Examiner*—T. Chase Nelson  
(74) *Attorney, Agent, or Firm*—Harness, Dickey Pierce, P.L.C.

(57) **CLAIM**

The ornamental design for a cordless impact wrench, as shown and described.

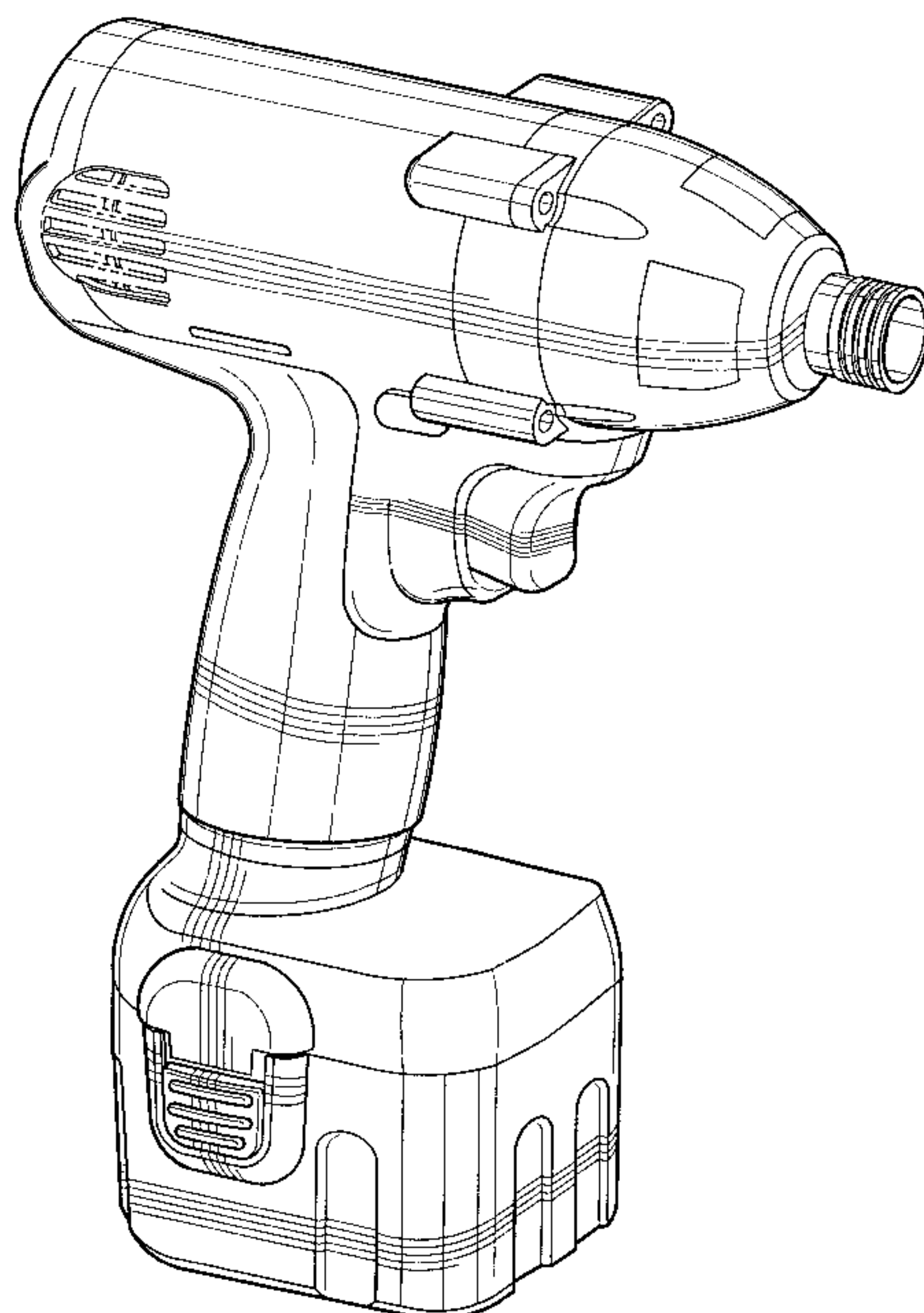
**DESCRIPTION**

FIG. 1 is a perspective view of a cordless impact wrench; FIG. 2 is a front view thereof; FIG. 3 is a rear view thereof; FIG. 4 is a top view thereof; FIG. 5 is a bottom view thereof; FIG. 6 is a left side view thereof; and, FIG. 7 is a right side view thereof.

The broken lines shown in FIGS. 1, 6 and 7 of the drawing are for illustrative purposes only and form no part of the claimed design.

**1 Claim, 5 Drawing Sheets**

- (56) **References Cited**
- U.S. PATENT DOCUMENTS**
- D156,319 S \* 12/1949 Bushnell ..... D8/68
- D295,714 S 5/1988 Sasaki et al.
- D296,412 S 6/1988 Nelson et al.
- D296,655 S 7/1988 Yonezawa et al.
- D320,917 S 10/1991 Fushiya et al.
- D329,580 S 9/1992 Sasaki et al.
- D335,073 S 4/1993 Anthony et al.
- 5,213,913 A 5/1993 Anthony, III et al.
- D339,046 S 9/1993 Fushiya et al.



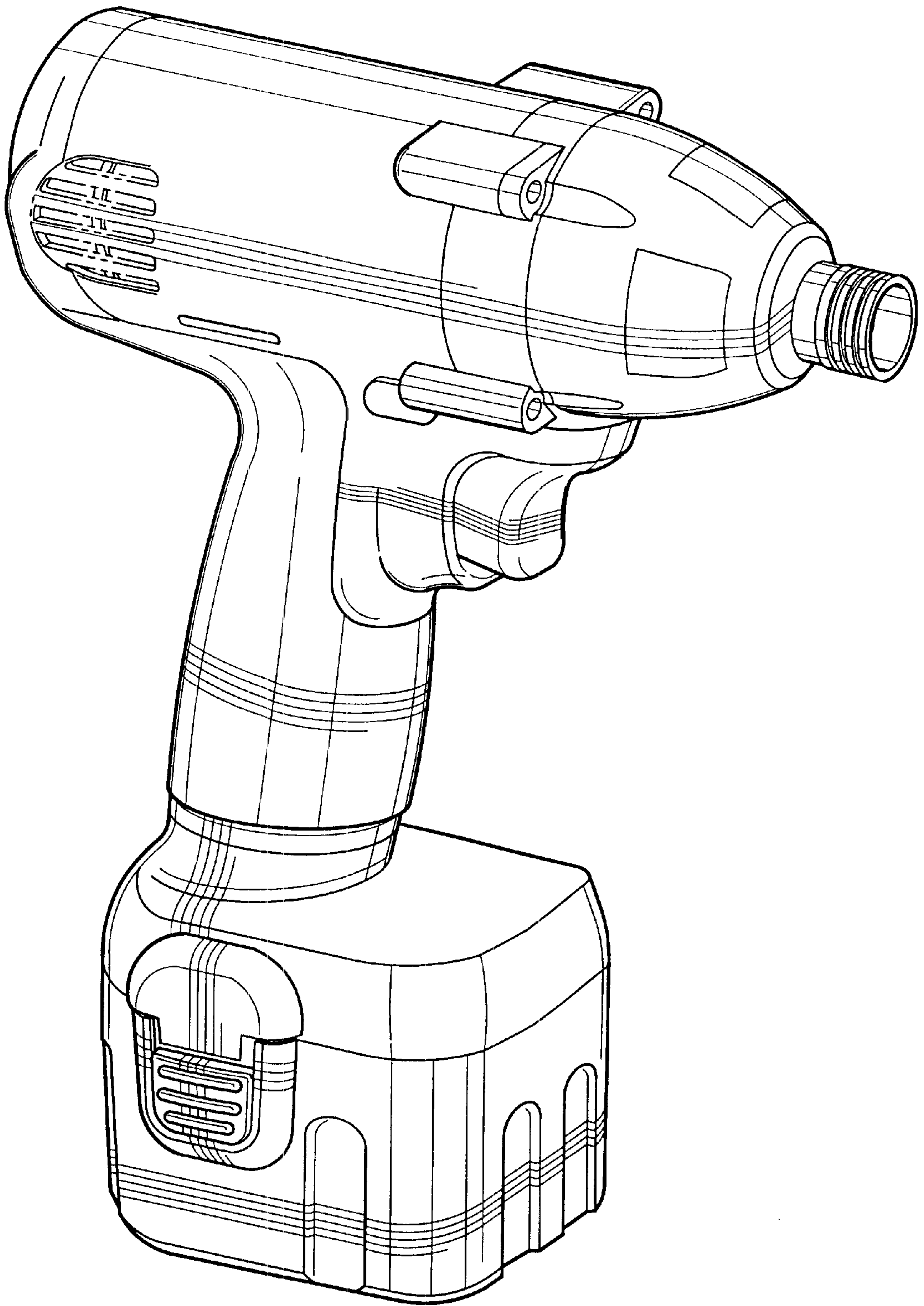


Fig-1

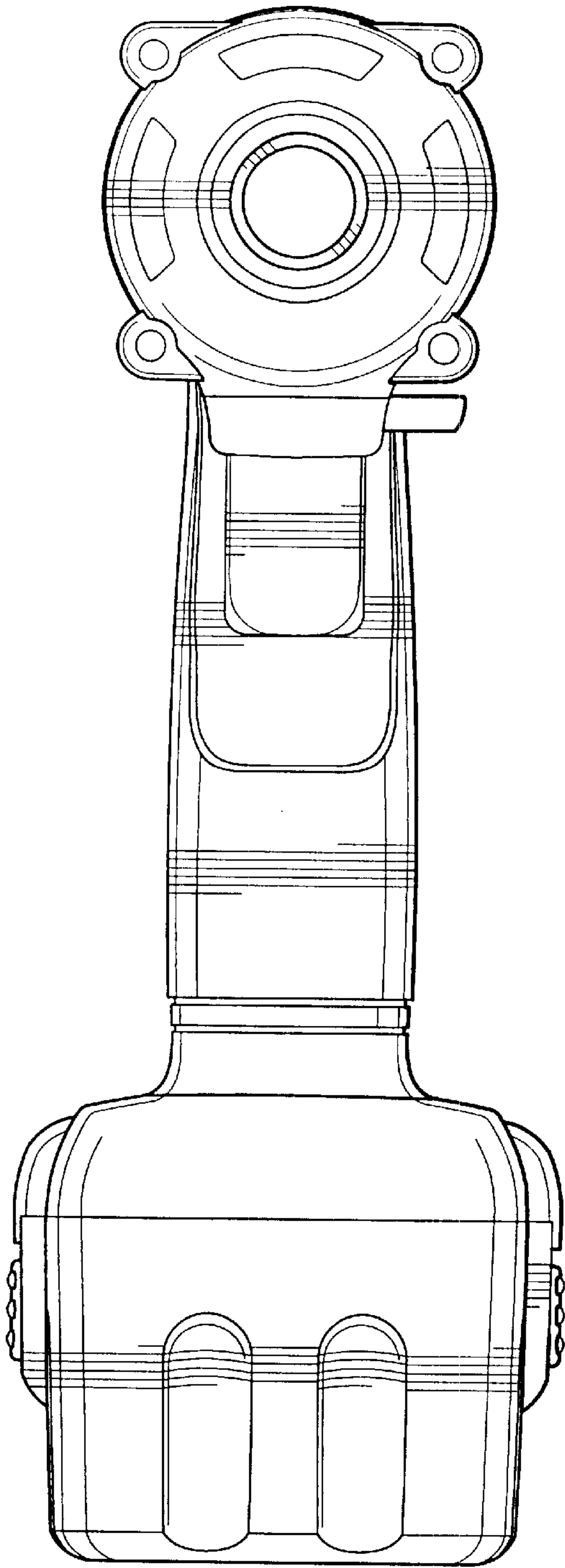


Fig-2

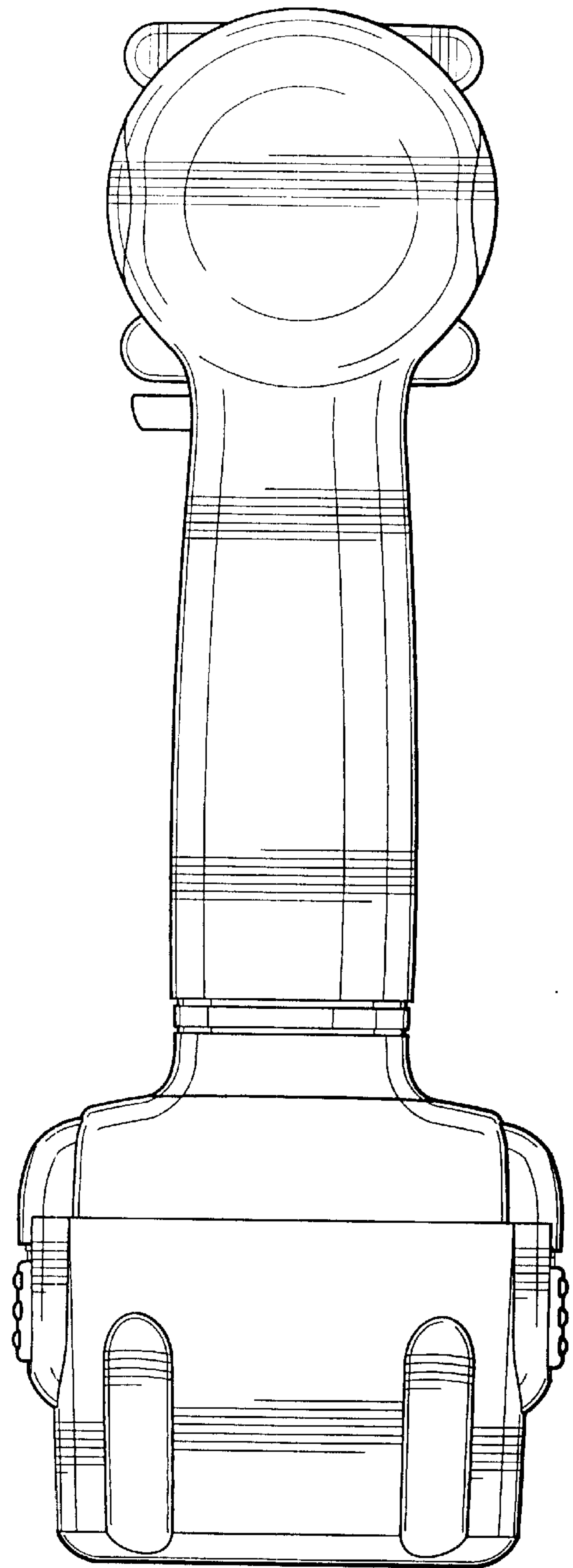


Fig-3

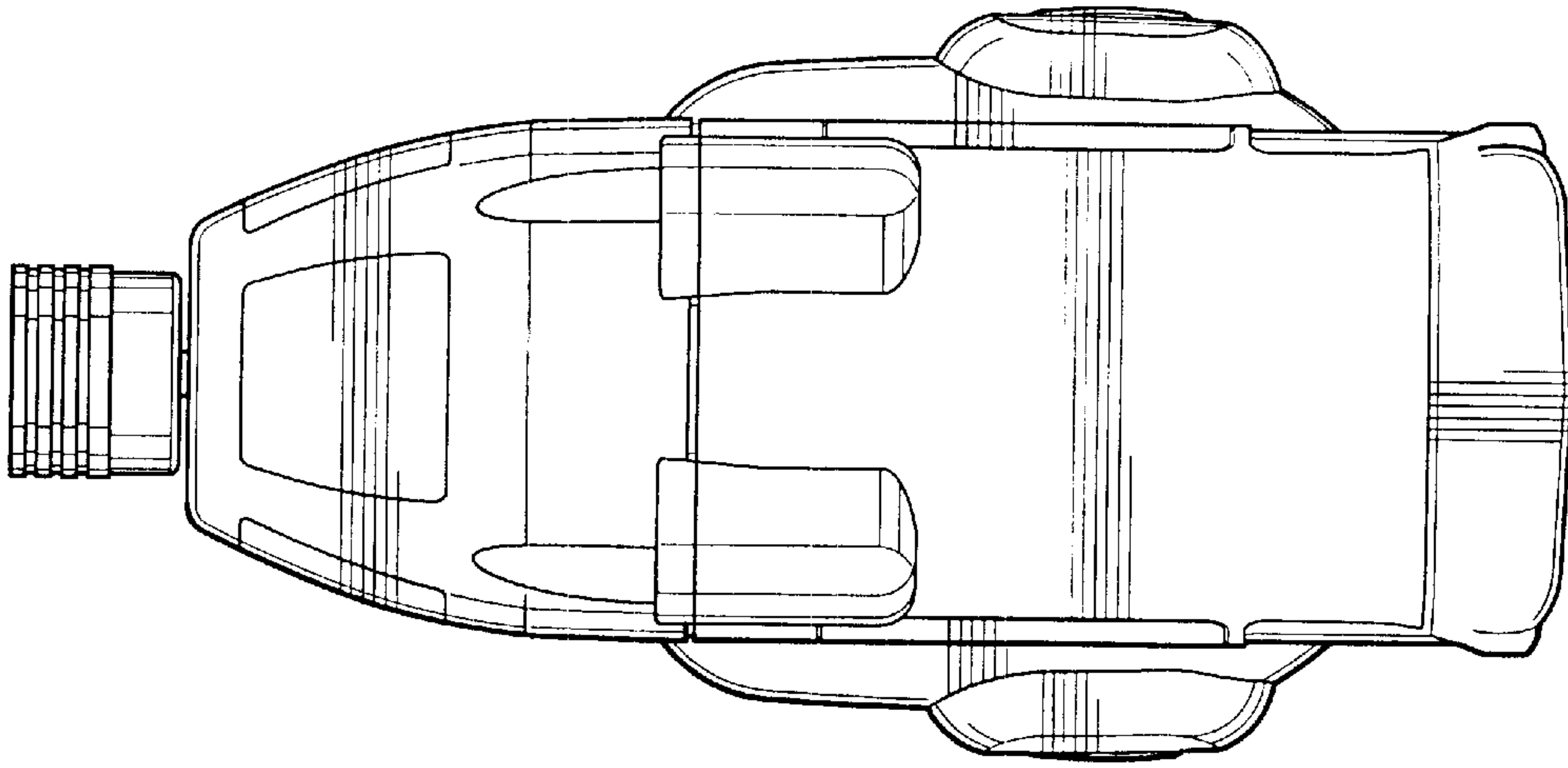


Fig-4

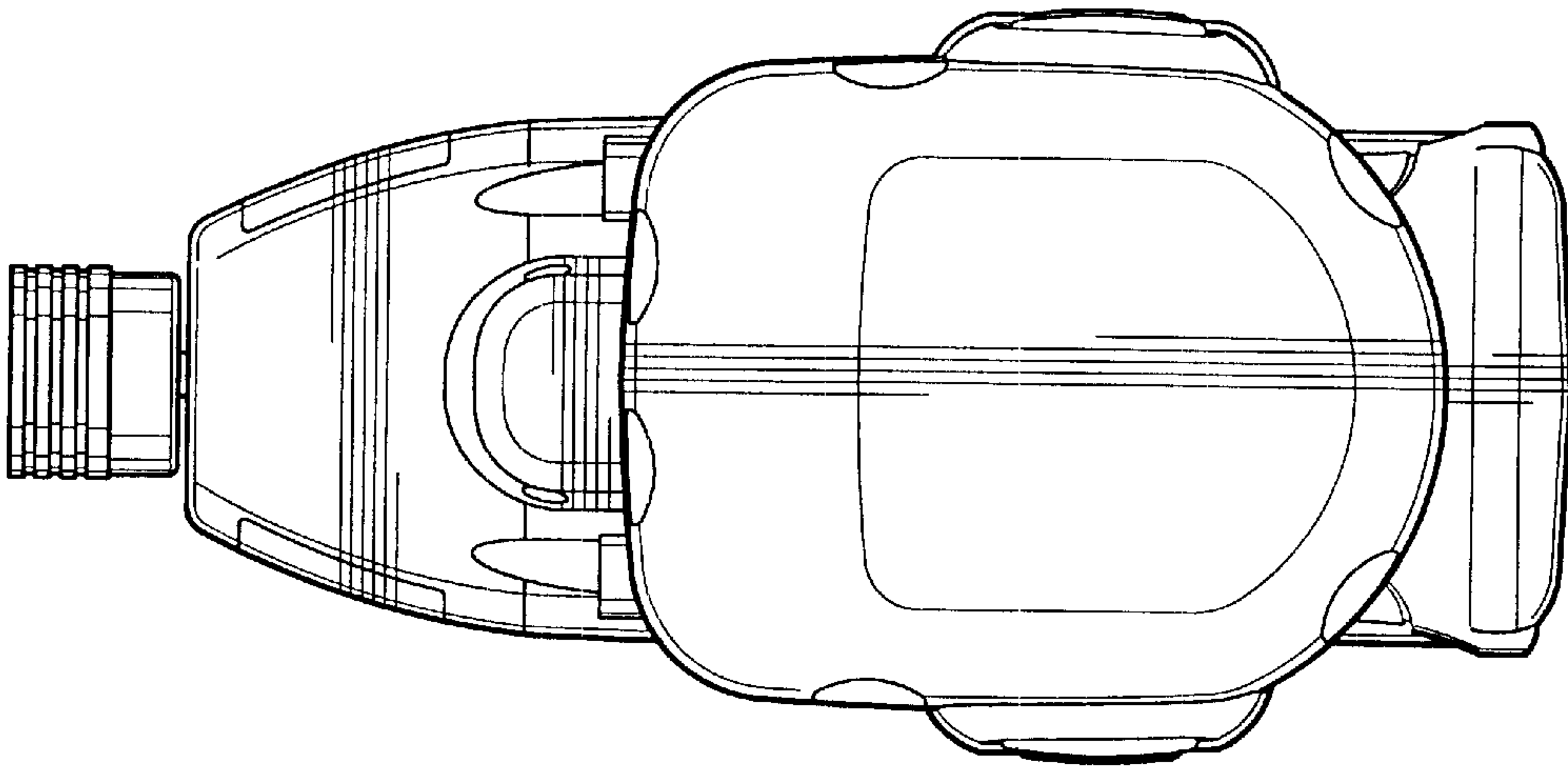


Fig-5



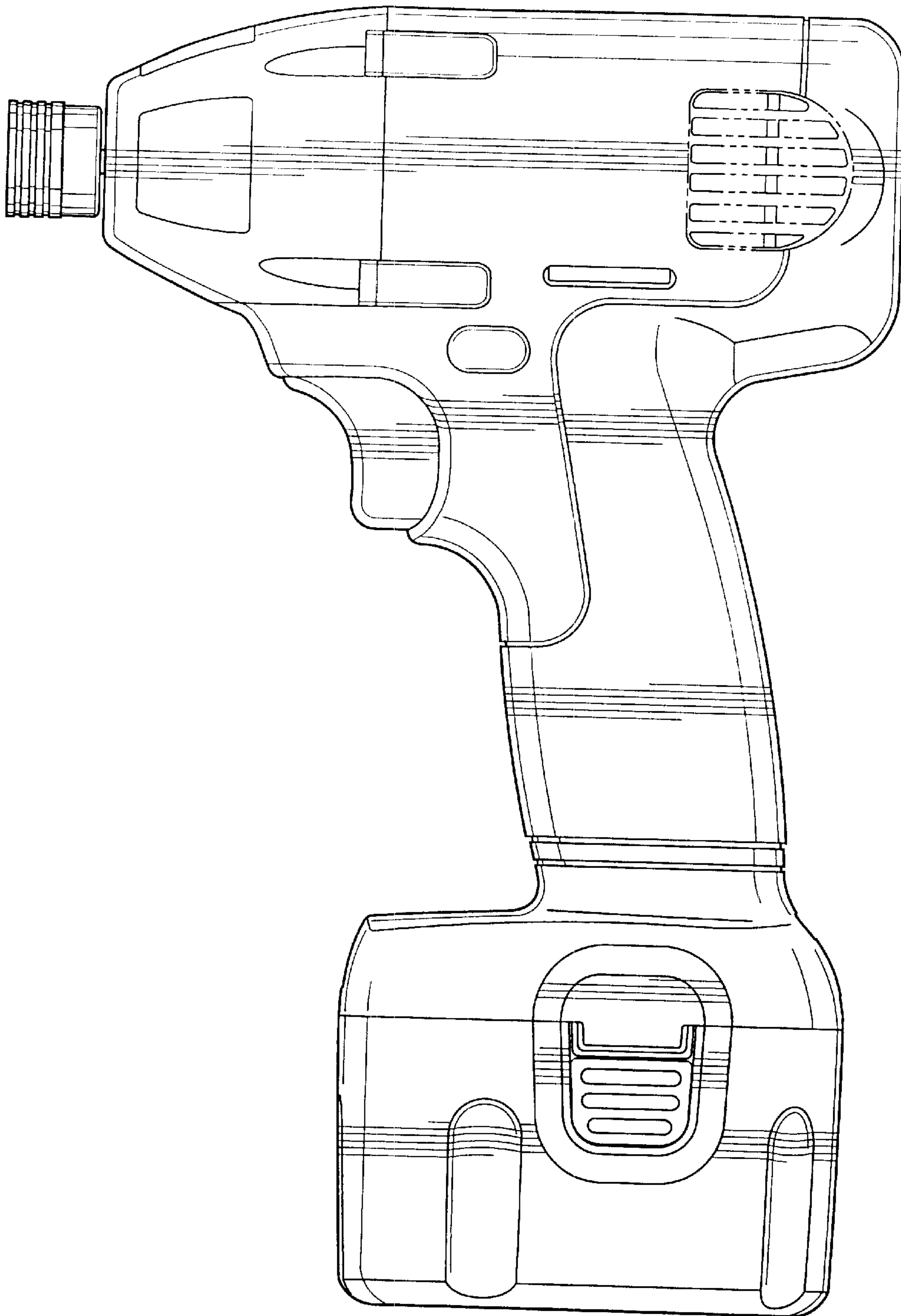


Fig-6

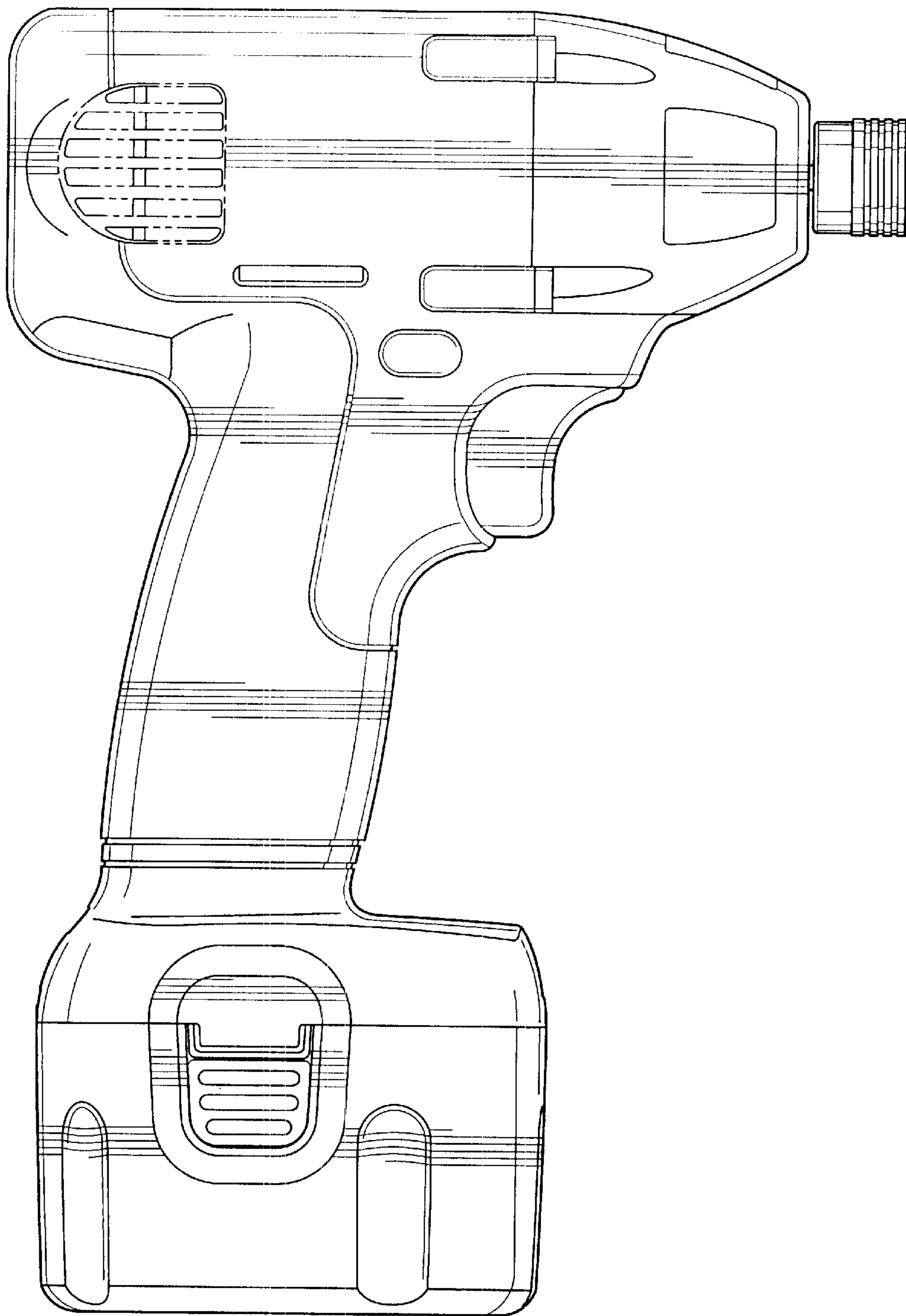


Fig-7