



US00D462593S

(12) **United States Design Patent**
Nottingham et al.

(10) **Patent No.: US D462,593 S**

(45) **Date of Patent: ** Sep. 10, 2002**

(54) **BATTERY POWERED SCREWDRIVER**

(75) Inventors: **John R. Nottingham**, Hunting Valley;
John W. Spirk, Gates Mills; **Robert F. Soreo**, Cleveland Heights; **Bernard Schaub**, University Heights, all of OH (US)

(73) Assignee: **Toolovation, LLC**, Beachwood, OH (US)

(**) Term: **14 Years**

(21) Appl. No.: **29/143,672**

(22) Filed: **Jun. 18, 2001**

(51) **LOC (7) Cl. 08-04**

(52) **U.S. Cl. D8/68**

(58) **Field of Search** D8/49, 61, 62, D8/63, 64, 65, 66, 67, 68, 69, 70; 16/430; 30/388; 81/52, 54, 55, 57.11, 57.13, 57.14, 57.33, 57.42, 73, 177.1, 177.8, 177.85, 409, 429, 436, 463, 464, 467, 469, 470, 900, 901, DIG. 12; 173/13, 15, 19, 47, 48, 81, 93, 93.5, 93.6, 94, 104, 109, 168, 169, 170, 171, 176, 178, 180, 181, 213, 216, 217, 221; 227/2, 8, 10, 66, 111, 112, 113, 114, 115, 120, 130, 136; 400/156, 181; 408/20, 120, 122, 124, 125, 234, 241 R, 241 S; 451/344, 354, 357, 358, 359, 456

(56) **References Cited**

U.S. PATENT DOCUMENTS

D171,220 S * 12/1953 Nystrom D8/62
3,329,185 A 7/1967 Hettich
4,078,589 A 3/1978 Miller

4,448,098 A * 5/1984 Totsu 81/57.11
D297,104 S 8/1988 Svetlik
D301,496 S * 6/1989 Yonesawa et al. D8/68
D307,537 S * 5/1990 Englund D8/68
5,016,501 A 5/1991 Holzer, Jr.
D325,857 S * 5/1992 Hasegawa et al. D8/61
5,588,903 A * 12/1996 Pennison 451/358
D379,910 S * 6/1997 Hannen et al. D8/68
D403,936 S * 1/1999 Somers D8/68
D404,626 S * 1/1999 Hall et al. D8/68
D412,273 S * 7/1999 Chung D8/61
D414,668 S * 10/1999 Duennes et al. D8/68
6,079,716 A 6/2000 Harman, Jr.
6,139,228 A 10/2000 Longo
D434,959 S * 12/2000 McCallops et al. D8/68

* cited by examiner

Primary Examiner—Doris V. Coles

Assistant Examiner—T. Chase Nelson

(74) *Attorney, Agent, or Firm*—Benesch, Friedlander, Coplan & Aronoff, LLP

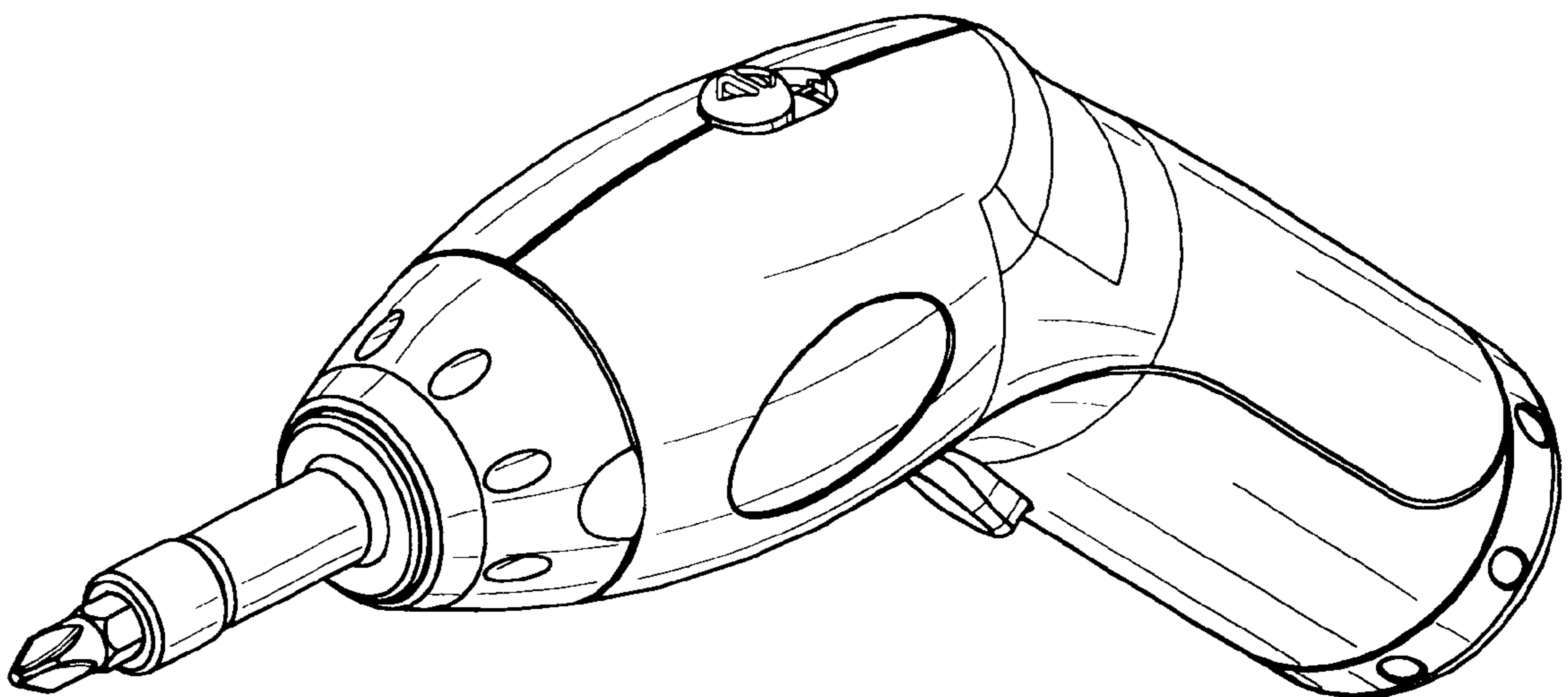
(57) **CLAIM**

The ornamental design for a battery powered screwdriver, as shown and described.

DESCRIPTION

FIG. 1 is a right side isometric view of a battery powered screwdriver showing my new design;
FIG. 2 is a left side isometric view thereof;
FIG. 3 is front elevational view thereof;
FIG. 4 is a right side elevational view thereof;
FIG. 5 is a top plan view thereof;
FIG. 6 is a left side elevational view thereof;
FIG. 7 is a rear view thereof; and,
FIG. 8 is a bottom plan view thereof.

1 Claim, 3 Drawing Sheets



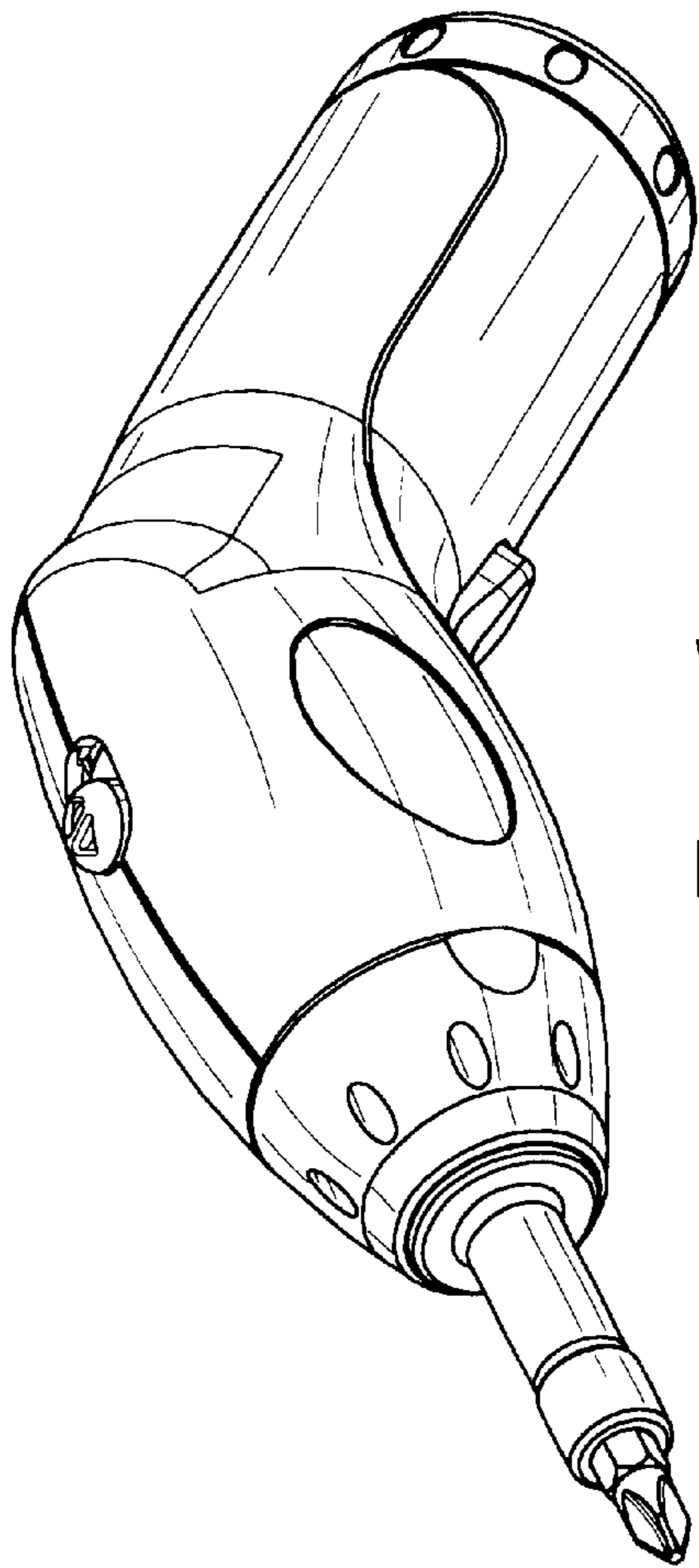


FIG. 1

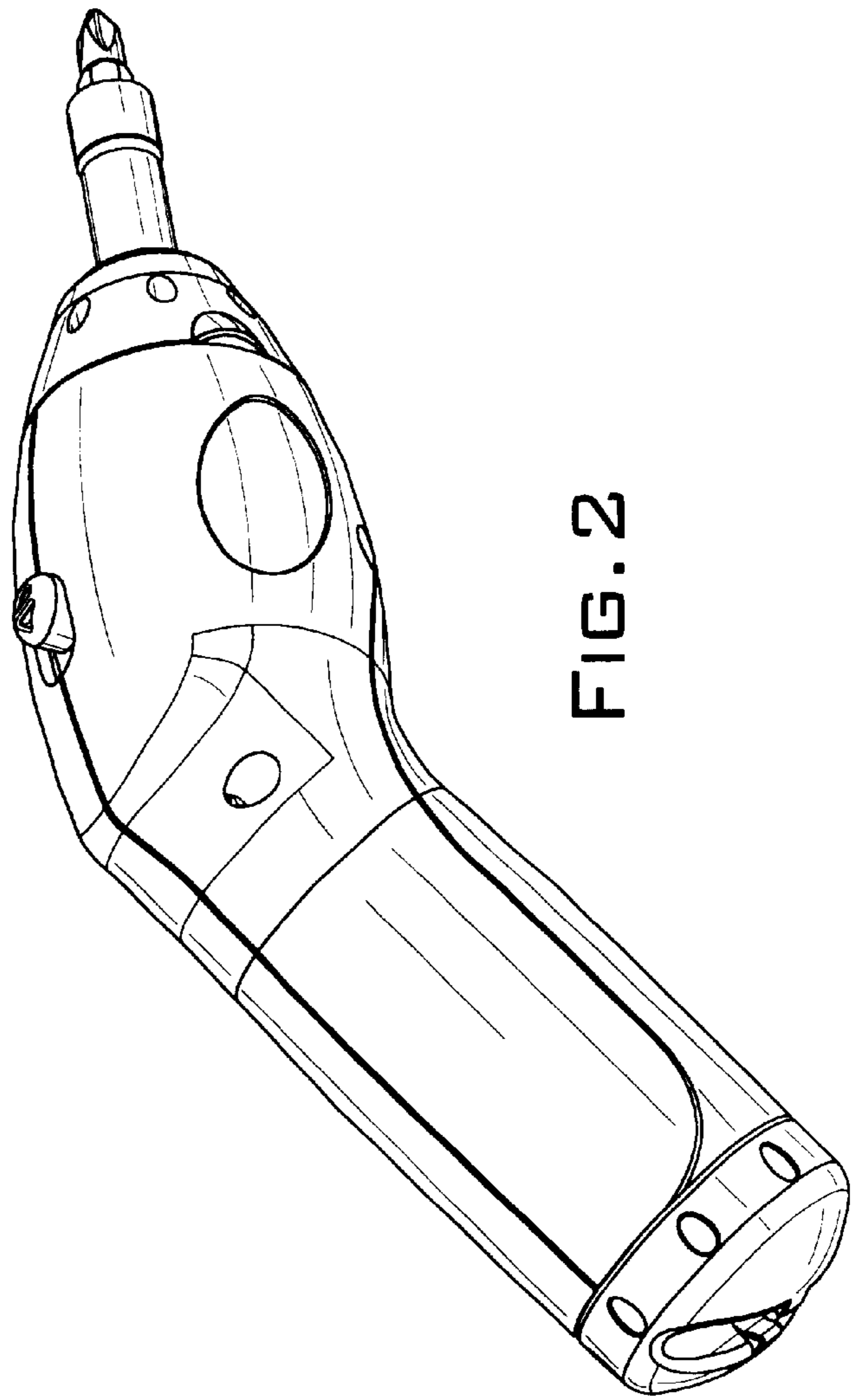


FIG. 2

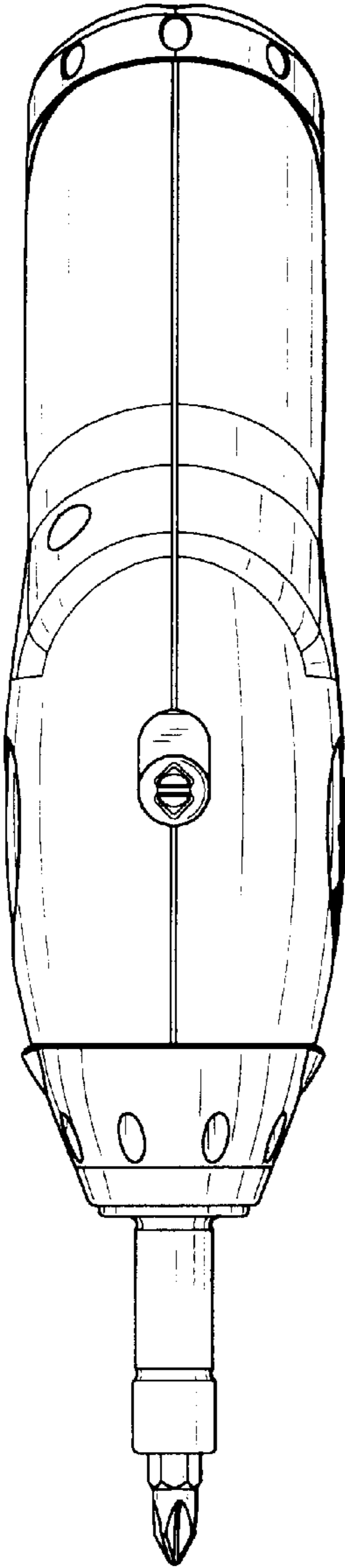


FIG. 5

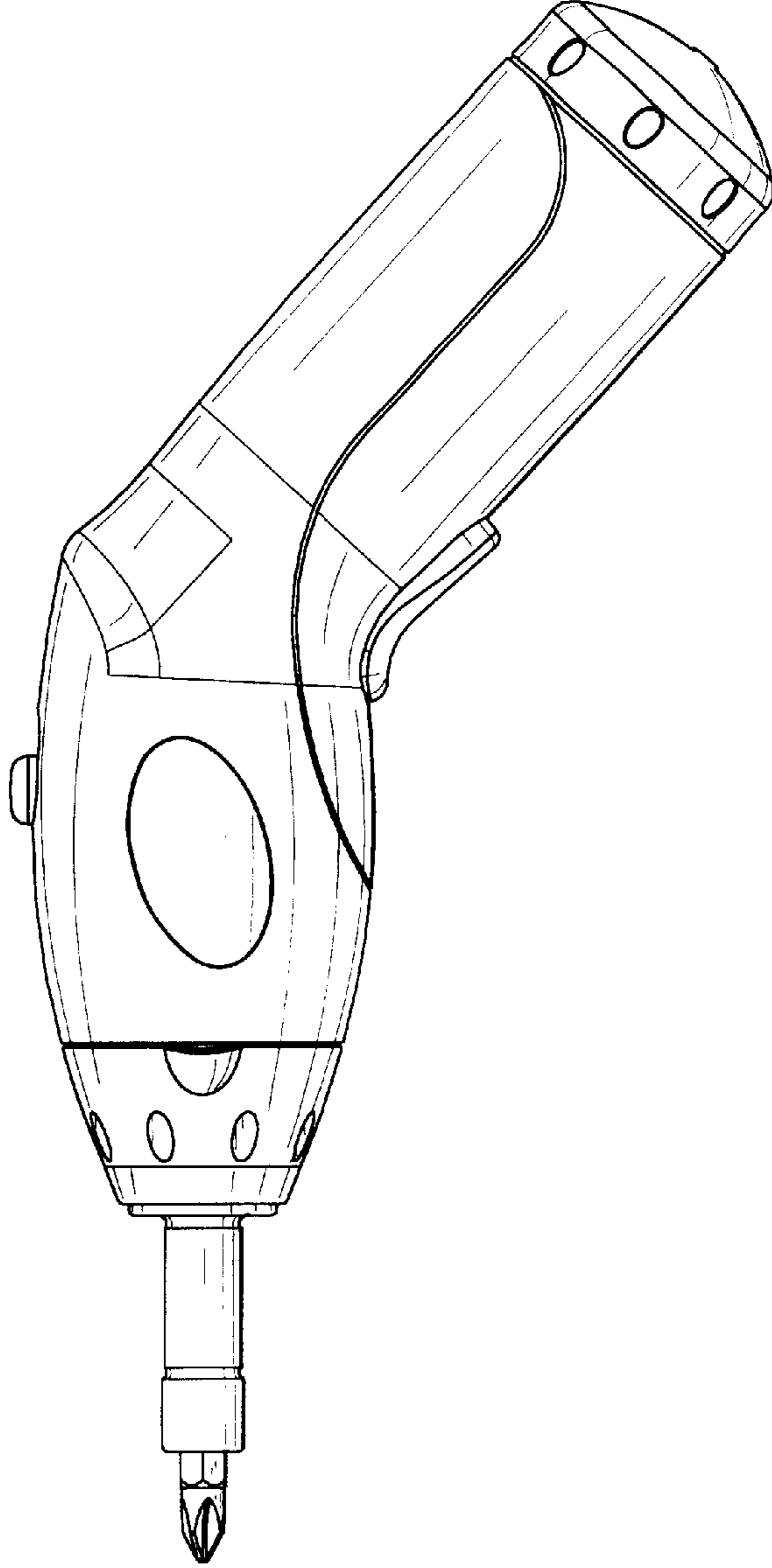


FIG. 4

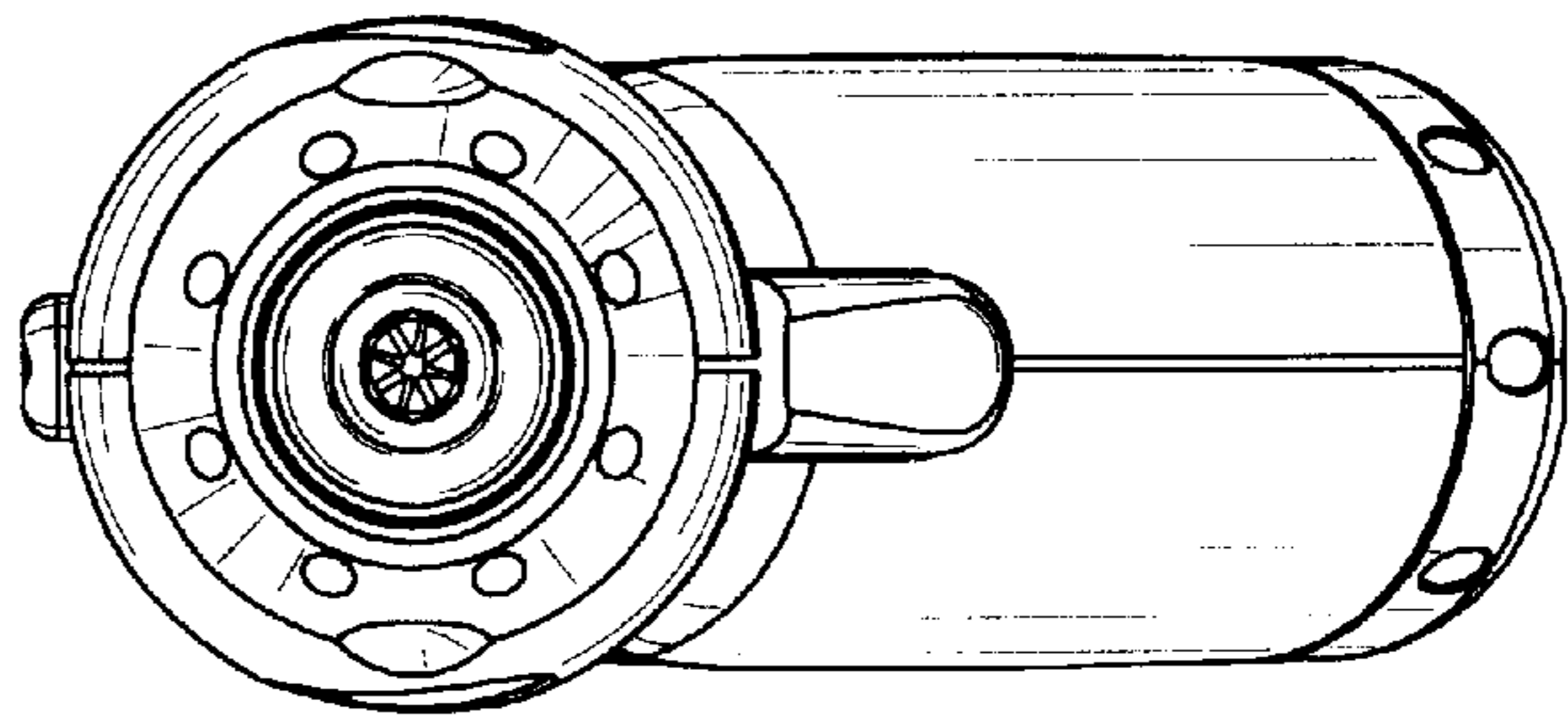


FIG. 3

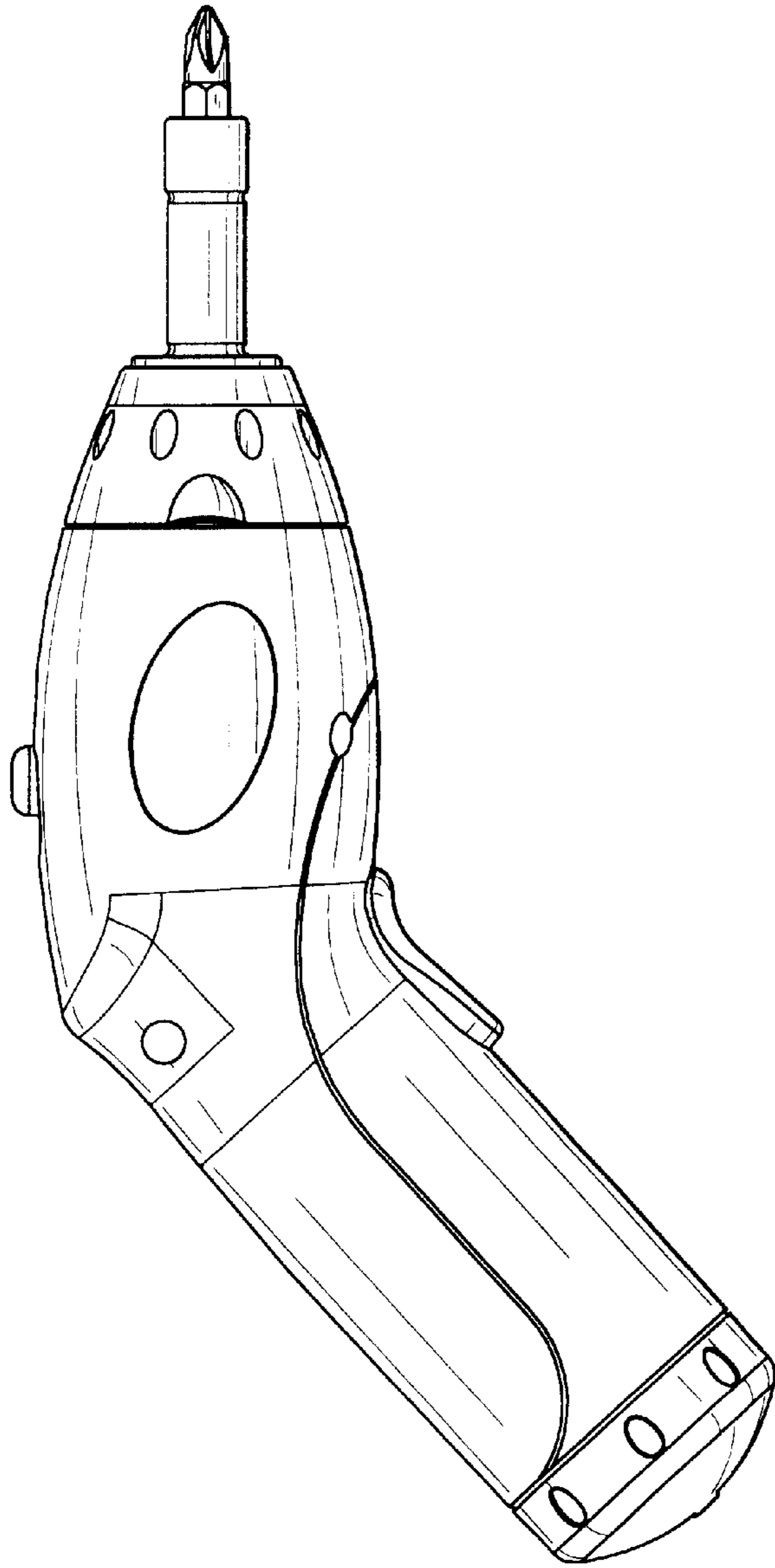


FIG. 6

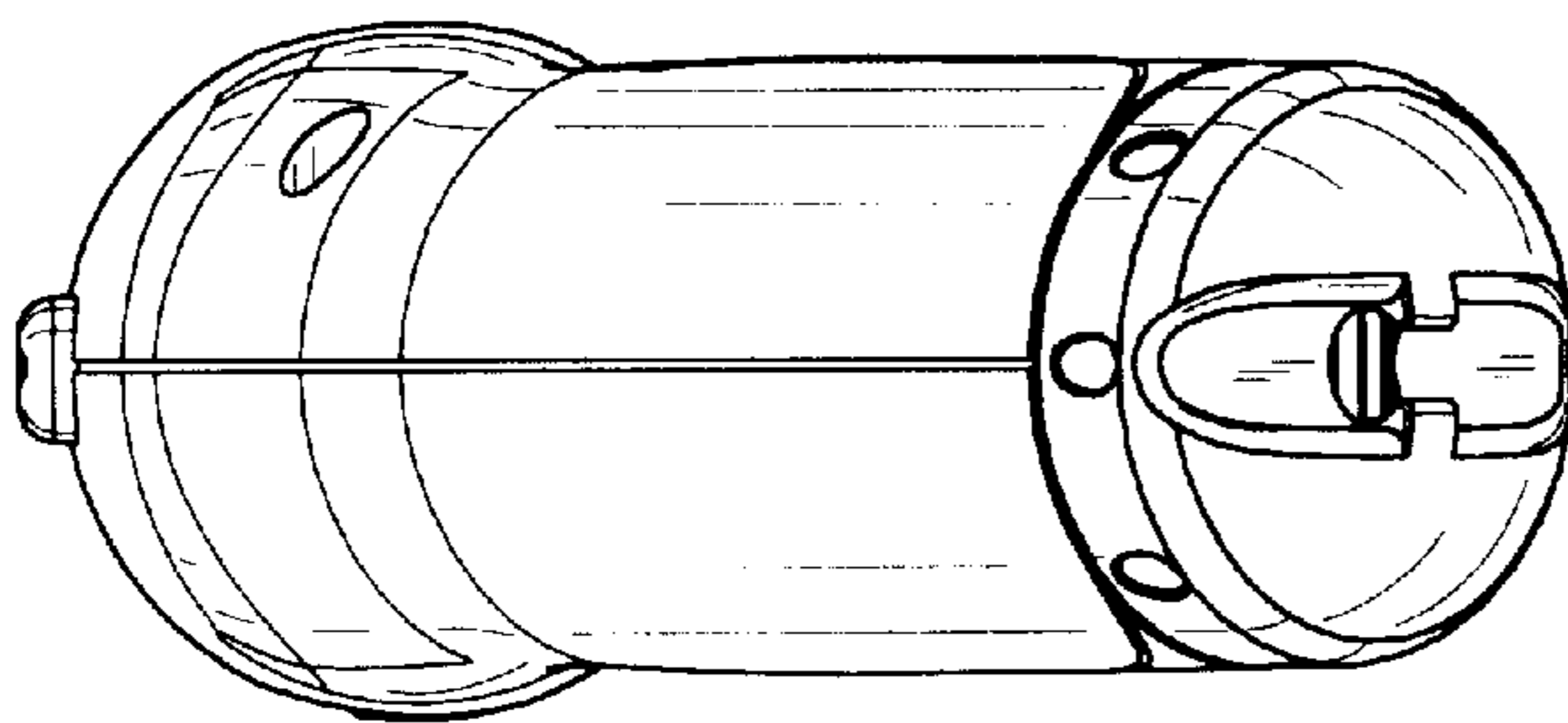


FIG. 7

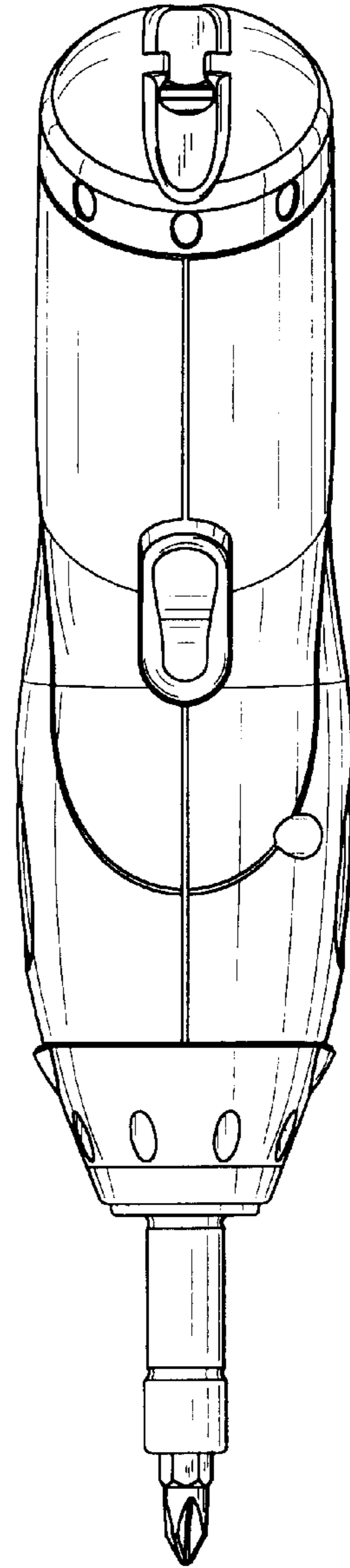


FIG. 8