



US00D462587S

(12) **United States Design Patent**
Nagle

(10) **Patent No.:** **US D462,587 S**

(45) **Date of Patent:** **** Sep. 10, 2002**

(54) **GARDEN TOOL**

(76) **Inventor:** **Thomas S. Nagle**, 554 Street Rd., New Hope, PA (US) 18938

(**) **Term:** **14 Years**

(21) **Appl. No.:** **29/155,859**

(22) **Filed:** **Feb. 21, 2002**

(51) **LOC (7) Cl.** **08-01**

(52) **U.S. Cl.** **D8/11**

(58) **Field of Search** D8/1, 11, 12; 172/371-372, 172/375, 381; 7/114, 116; 254/132; 294/50.6, 50.9

(56) **References Cited**

U.S. PATENT DOCUMENTS

796,592 A	*	8/1905	Matthiesen	172/375
1,369,835 A	*	3/1921	Ninman	172/375
1,685,217 A	*	9/1928	Guthrie	172/375
1,865,671 A		7/1932	Breen		
4,242,780 A		1/1981	Littman		

5,507,051 A		4/1996	Mazon		
6,213,527 B1	*	4/2001	Lampe	294/50.6
D446,096 S	*	8/2001	Khachatoorian	D8/11

* cited by examiner

Primary Examiner—Pamela Burgess
(74) *Attorney, Agent, or Firm*—Gregory J. Gore

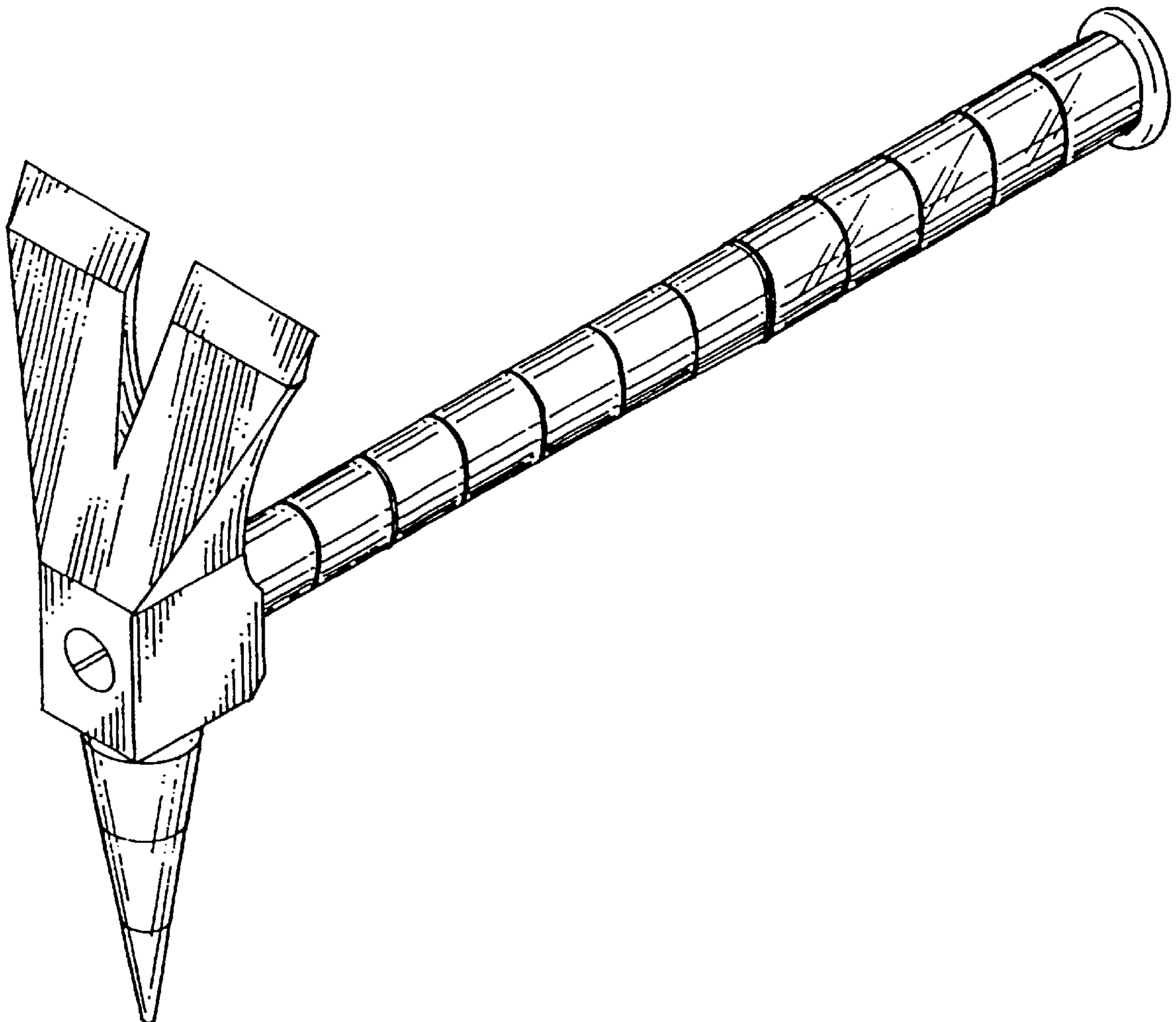
(57) **CLAIM**

The ornamental design for a garden tool, as shown and described.

DESCRIPTION

FIG. 1 is a top right front perspective view showing my new design for a garden tool;
FIG. 2 is a right side view thereof being a mirror image of the left side view thereof;
FIG. 3 is a rear view thereof;
FIG. 4 is a front view thereof;
FIG. 5 is a bottom view thereof; and,
FIG. 6 is a top plan view thereof.

1 Claim, 3 Drawing Sheets



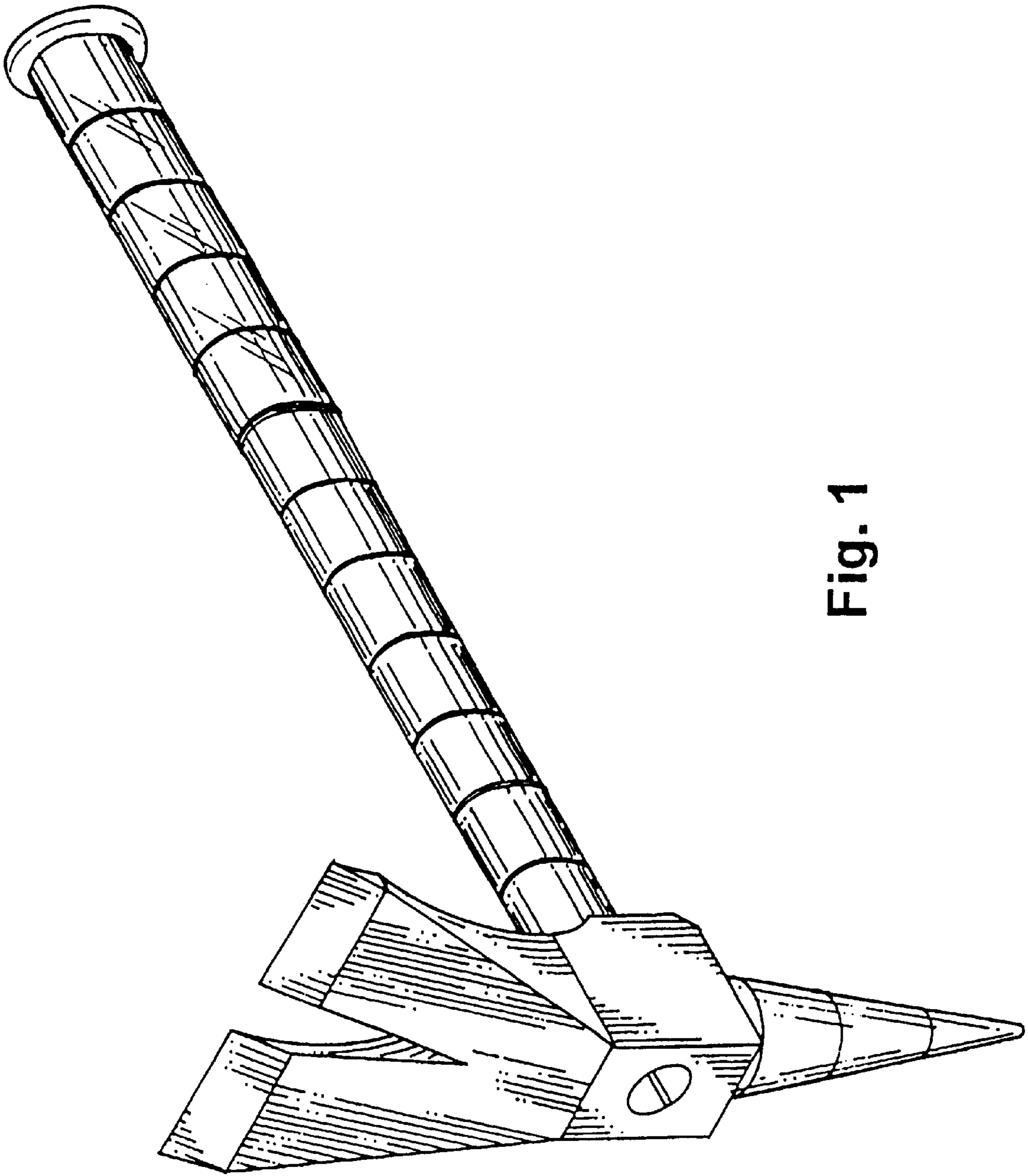


Fig. 1

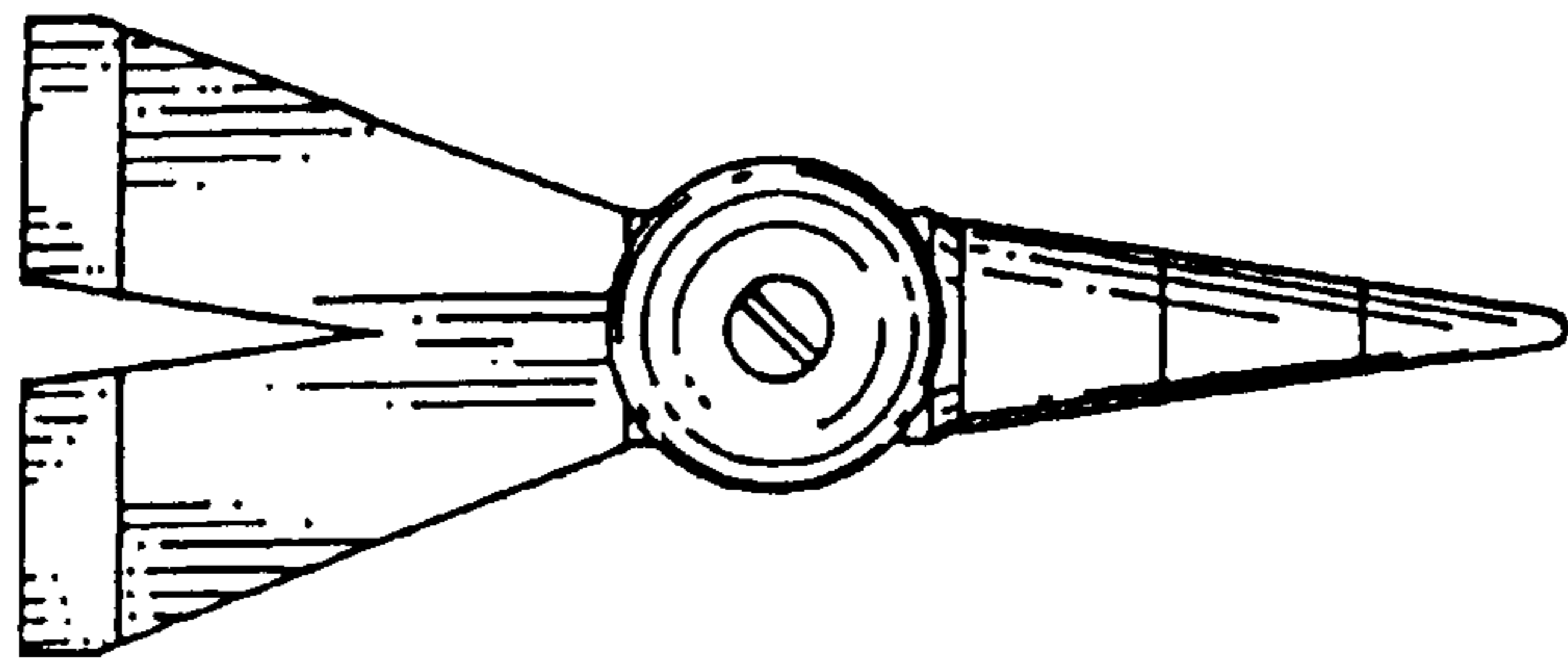


Fig. 3

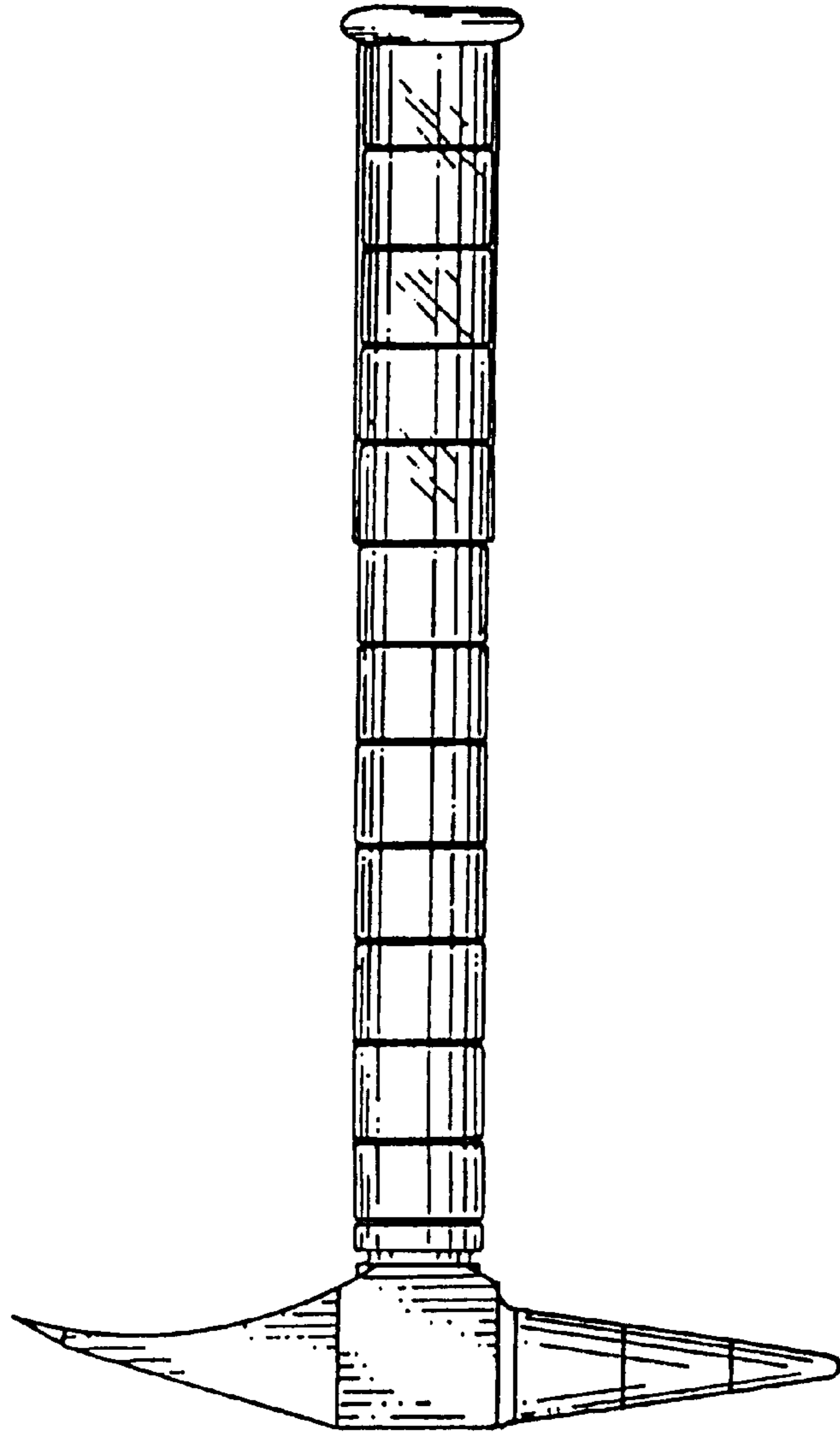


Fig. 2

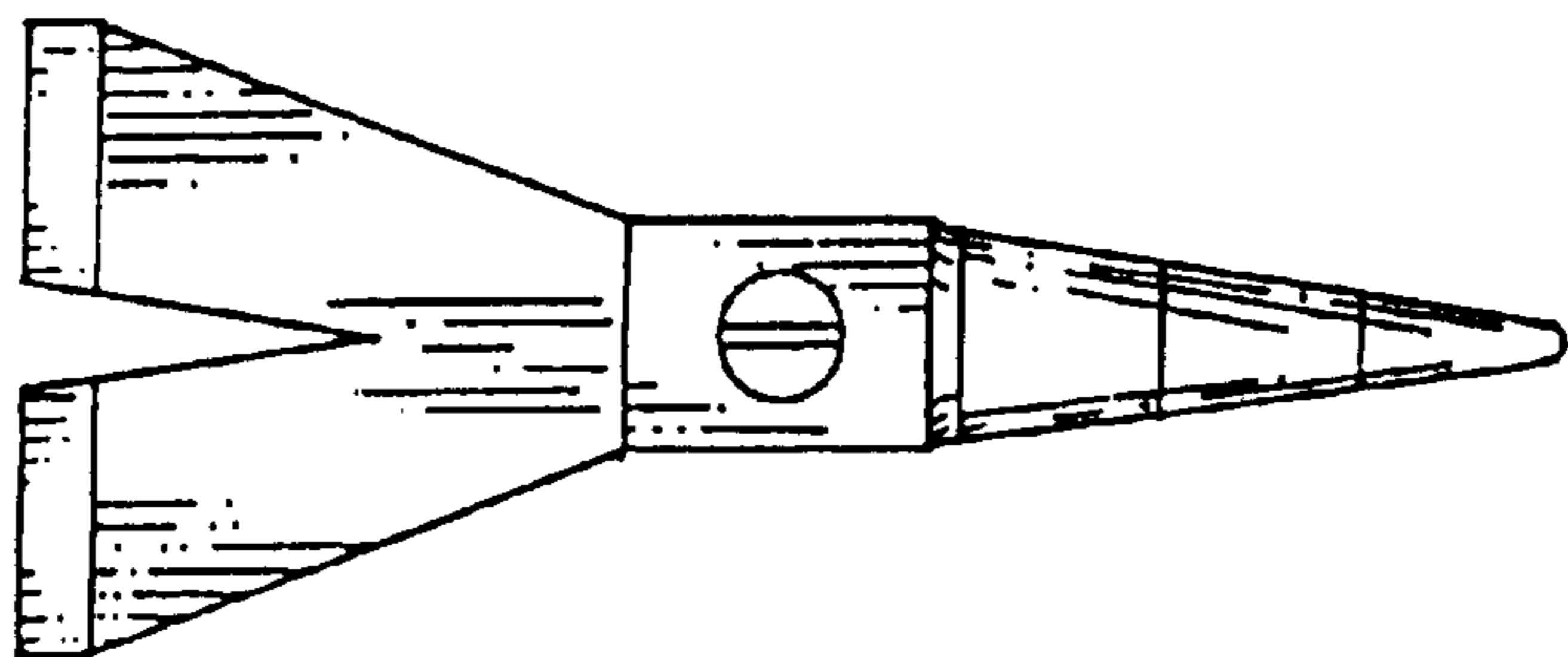


Fig. 4

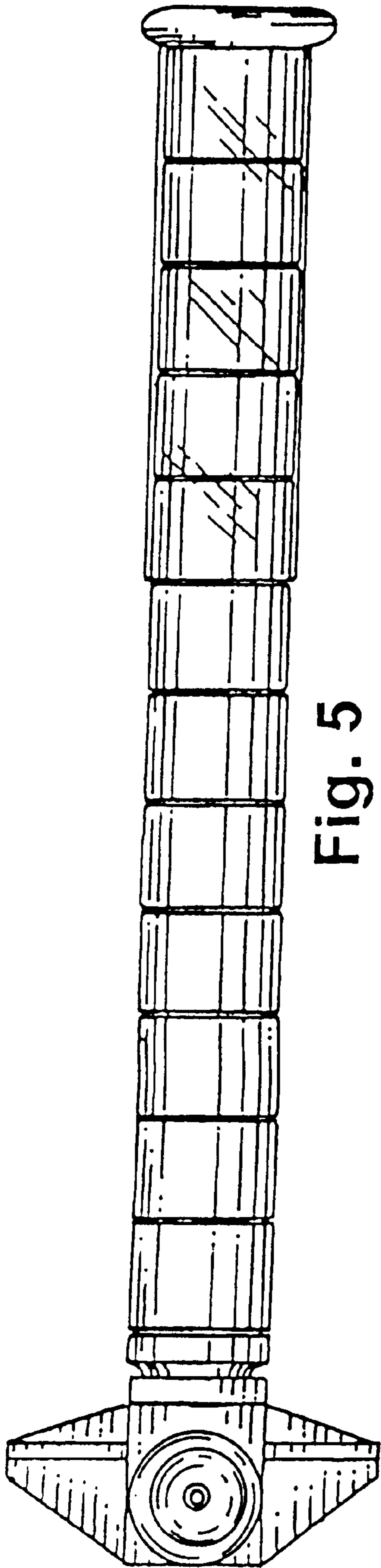


Fig. 5

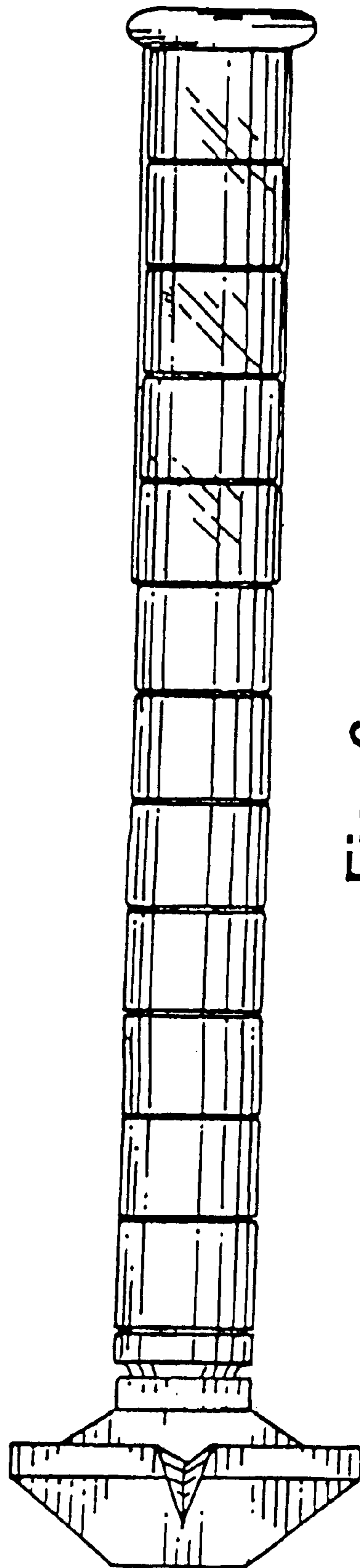


Fig. 6