



US00D462585S

(12) **United States Design Patent**
Parra

(10) **Patent No.:** **US D462,585 S**

(45) **Date of Patent:** **** Sep. 10, 2002**

(54) **BAKED POTATO SPLITTER**

(76) Inventor: **Marisha Galbreath Parra**, 221 E.
Mariana St., Rialto, CA (US)
92376-2823

(**) Term: **14 Years**

(21) Appl. No.: **29/149,111**

(22) Filed: **Oct. 4, 2001**

(51) **LOC (7) Cl.** **07-04**

(52) **U.S. Cl.** **D7/693**

(58) **Field of Search** D7/693; D8/14;
30/294, 303, 305, 315, 316, 386; 99/485,
419

(56) **References Cited**

U.S. PATENT DOCUMENTS

1,082,802	A	*	12/1913	Pull	30/315
1,895,055	A	*	1/1933	Steinour et al.	30/315 X
2,251,587	A	*	8/1941	Gagner	30/303
2,557,191	A		6/1951	King		
3,072,162	A		1/1963	Creed		

D257,757 S 1/1981 Acker

D317,107 S 5/1991 Grass

6,170,160 B1 1/2001 Freige

* cited by examiner

Primary Examiner—Terry A. Wallace

(74) *Attorney, Agent, or Firm*—Donald R. Schoonover

(57) **CLAIM**

I claim the ornamental design for a baked potato splitter, as shown and described.

DESCRIPTION

FIG. 1 is a perspective view of the baked potato splitter embodying the design of the present invention.

FIG. 2 is a top plan view thereof;

FIG. 3 is a bottom plan view thereof;

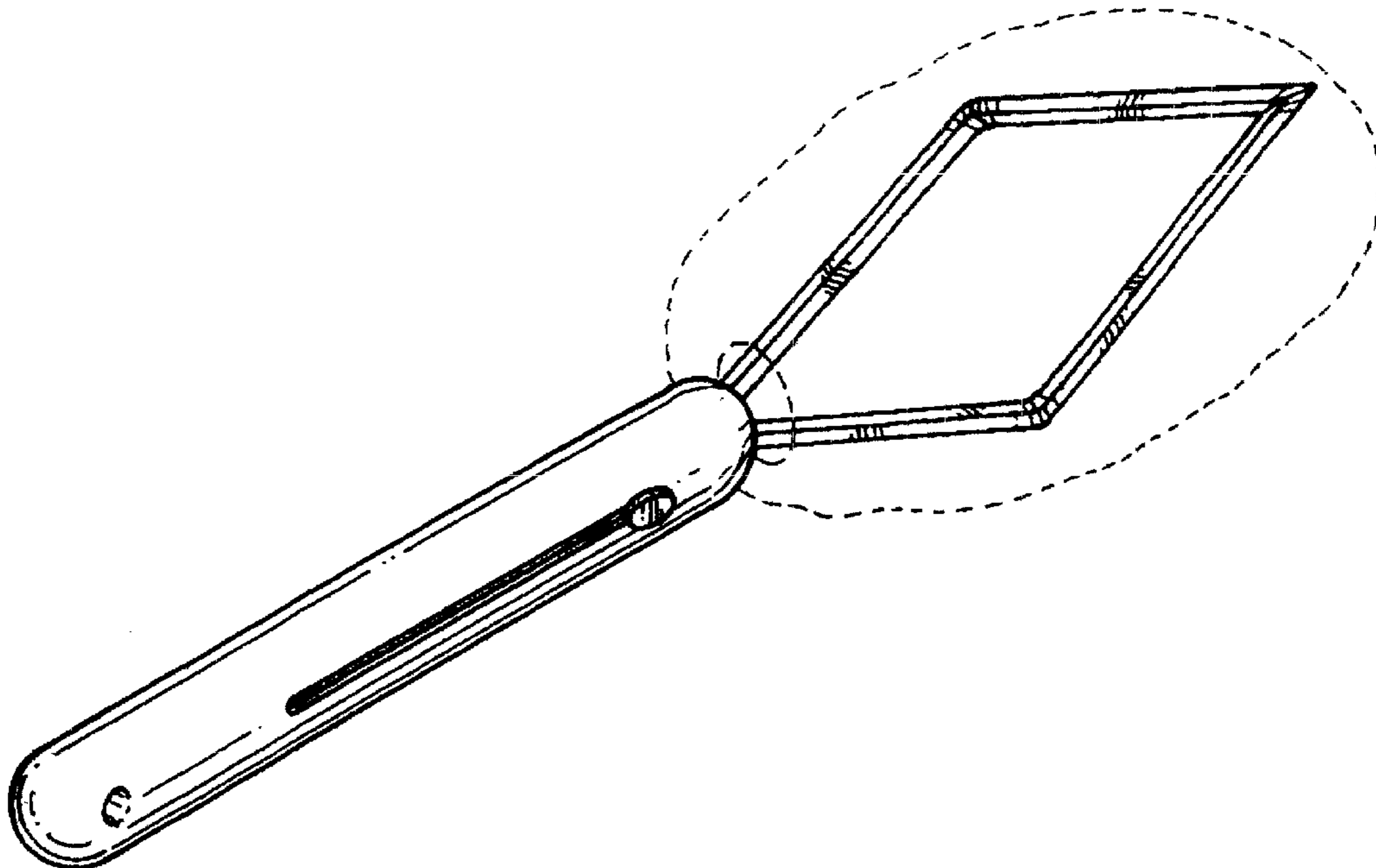
FIG. 4 is a side elevational view thereof;

FIG. 5 is a front elevational view thereof; and,

FIG. 6 is a rear elevational view thereof.

The broken line showing of environment is for illustrative purposes only and forms no part of the claimed design.

1 Claim, 3 Drawing Sheets



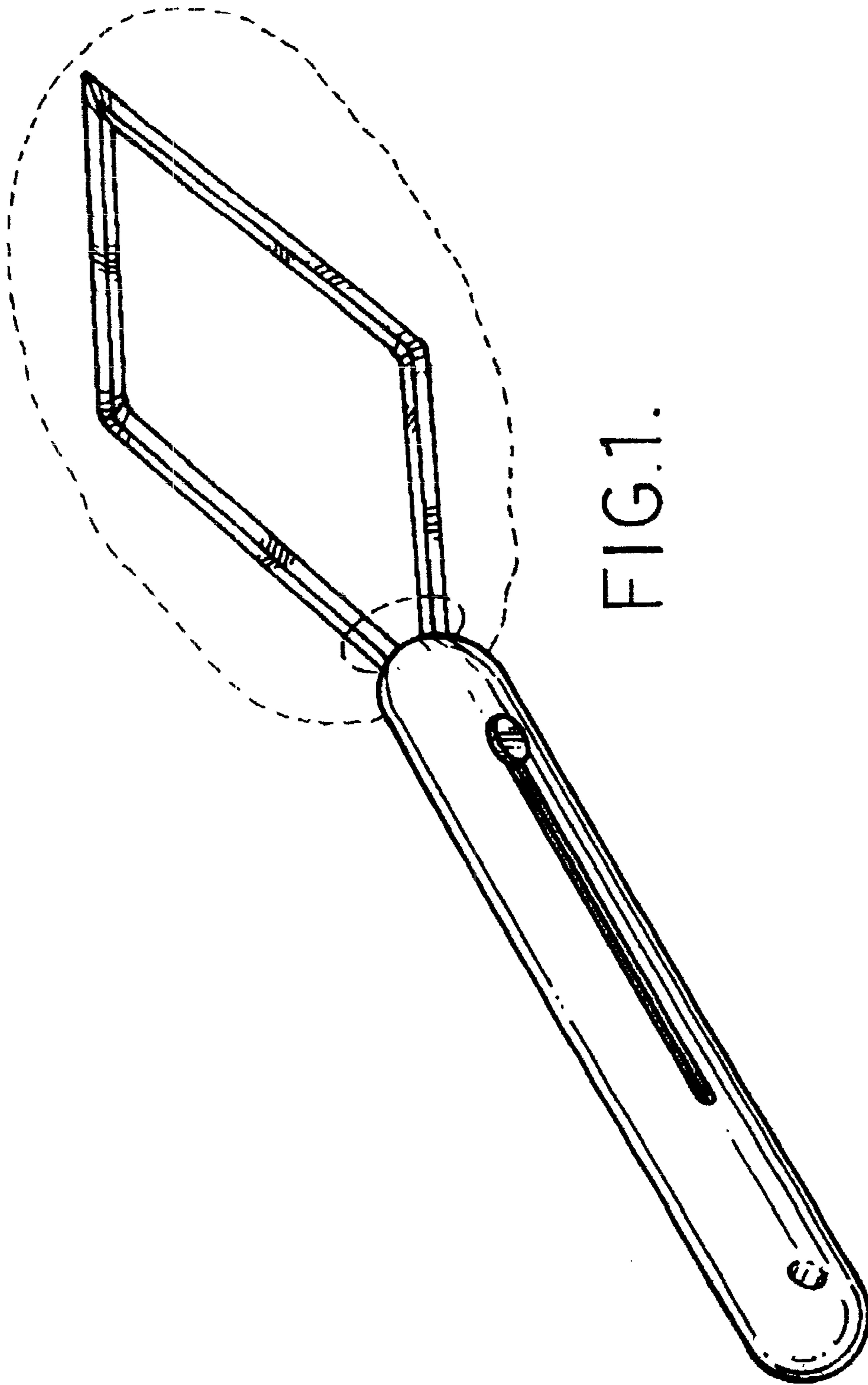


FIG.1.

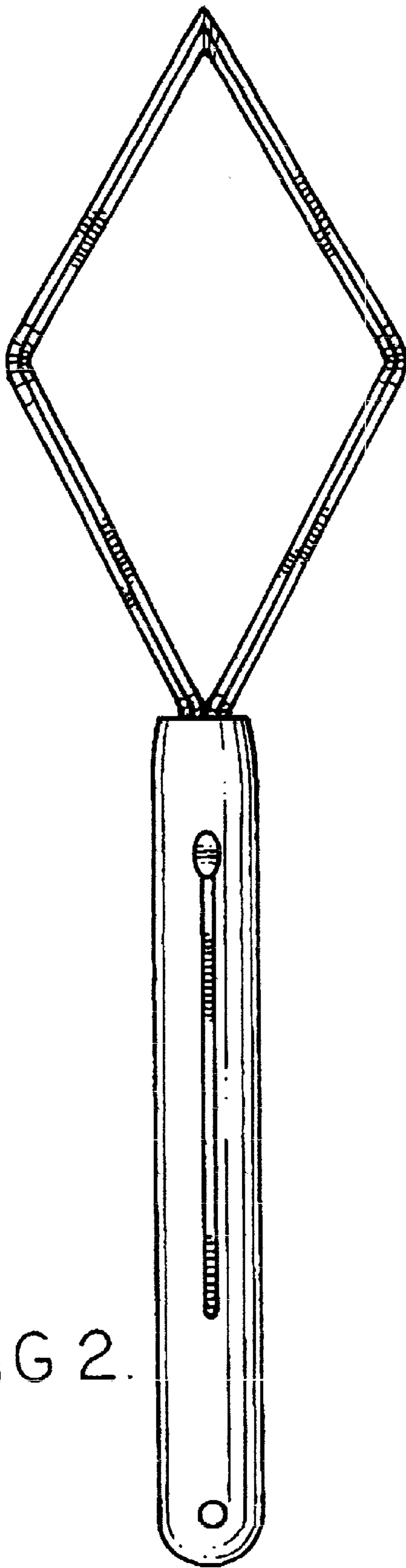


FIG. 2.

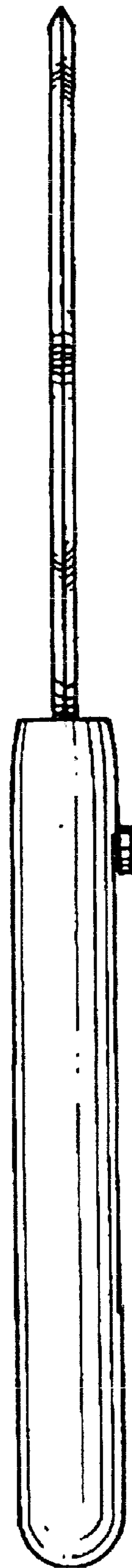


FIG. 4.



FIG. 5.

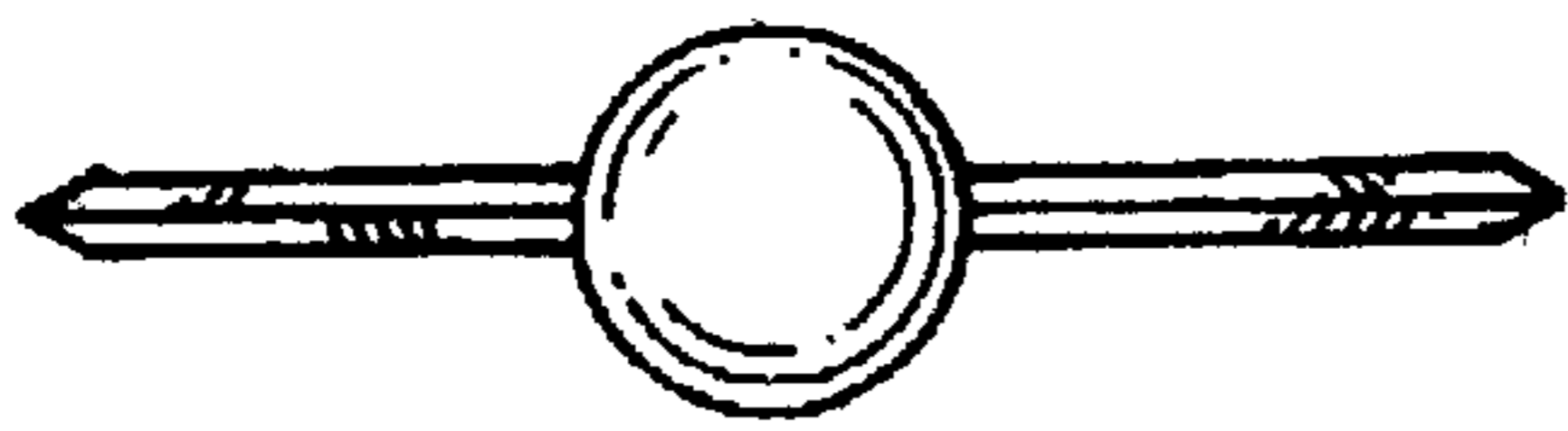


FIG. 6.

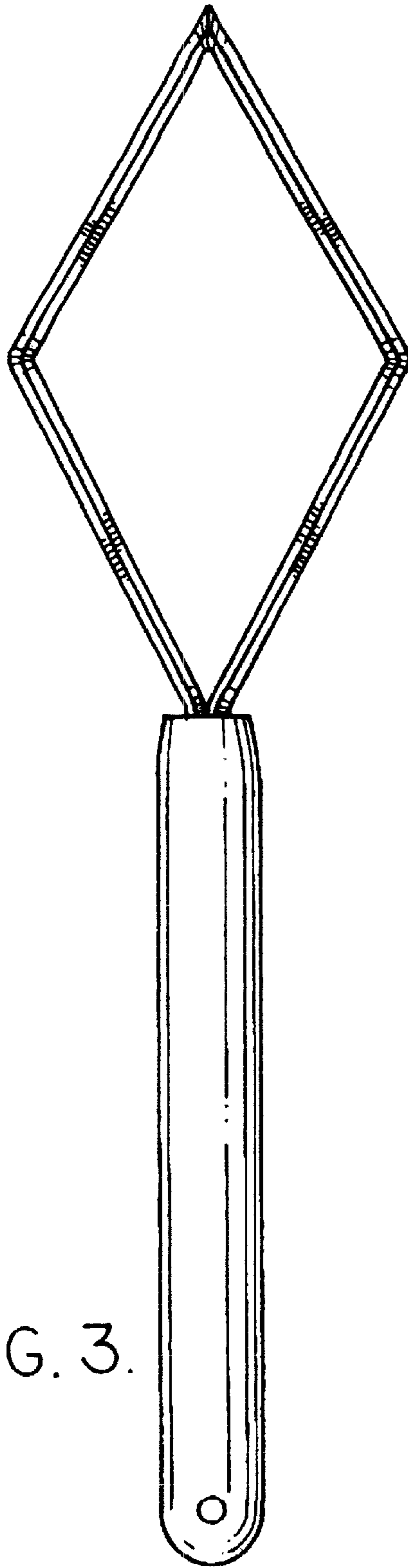


FIG. 3.