



US00D462584S

(12) **United States Design Patent**
So

(10) **Patent No.:** **US D462,584 S**

(45) **Date of Patent:** **** Sep. 10, 2002**

(54) **PRESS FOR SHAPING FOODSTUFFS SUCH AS COOKIES AND THE LIKE**

FOREIGN PATENT DOCUMENTS

(76) **Inventor:** **Kwok Kuen So**, Hse No. 93,
Sunderland Town House, No. 1
Hereford Road, Kowloon Tong,
Kowloon (HK)

GB	2076473	12/1981
GB	1004727	3/1983
GB	1004728	3/1983
GB	2078307	1/1999

(**) **Term:** **14 Years**

* cited by examiner

Primary Examiner—Terry A. Wallace

(74) *Attorney, Agent, or Firm*—Smith-Hill and Bedell

(21) **Appl. No.:** **29/138,062**

(57) **CLAIM**

(22) **Filed:** **Mar. 5, 2001**

The ornamental design for “press for shaping foodstuffs such as cookies and the like”, as shown and described.

(51) **LOC (7) Cl.** **07-04**

(52) **U.S. Cl.** **D7/669**

(58) **Field of Search** D7/669, 672, 677;
222/386, 391, 392, 256, 257, 260, 325–327;
425/183, 190, 191, 87, 376.1; D8/14.1

DESCRIPTION

(56) **References Cited**

U.S. PATENT DOCUMENTS

2,634,692	A	*	4/1953	Sherbondy	222/391	X
4,330,070	A	*	5/1982	Doubleday	222/391	X
D309,697	S		8/1990	So			
D363,405	S	*	10/1995	Elliot	D7/669	
D369,283	S	*	4/1996	Finlay	D7/672	
D393,574	S	*	4/1998	Perkins et al.	D7/669	

FIG. 1 is a perspective view of the press for shaping foodstuffs such as cookies and the like showing my new design;

FIG. 2 is a perspective view thereof with the plunger completely depressed;

FIG. 3 is a rear view.

FIG. 4 is a side view.

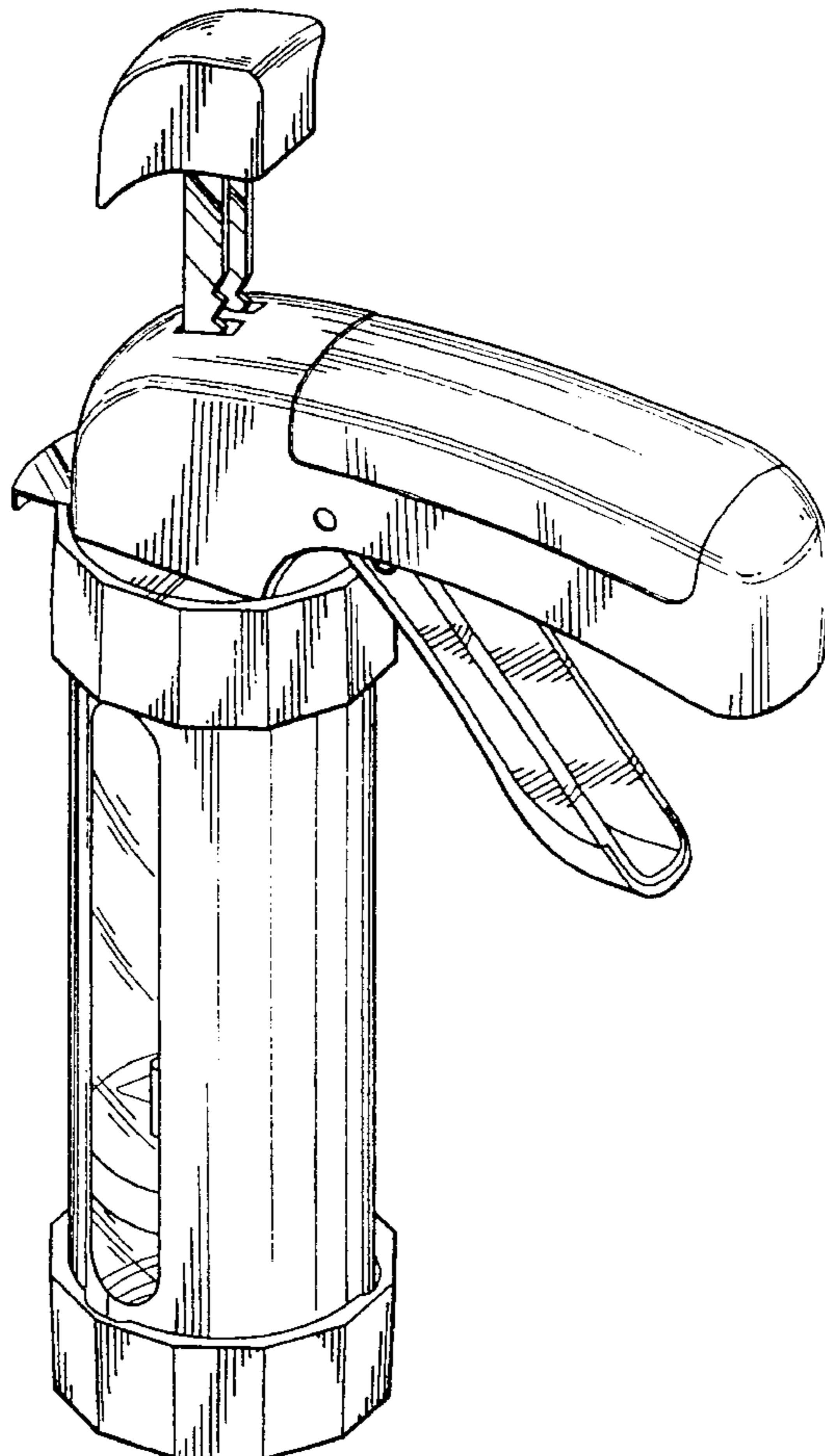
FIG. 5 is a view from above.

FIG. 6 is a view from below.

FIG. 7 is an other side view; and,

FIG. 8 is a front view.

1 Claim, 5 Drawing Sheets



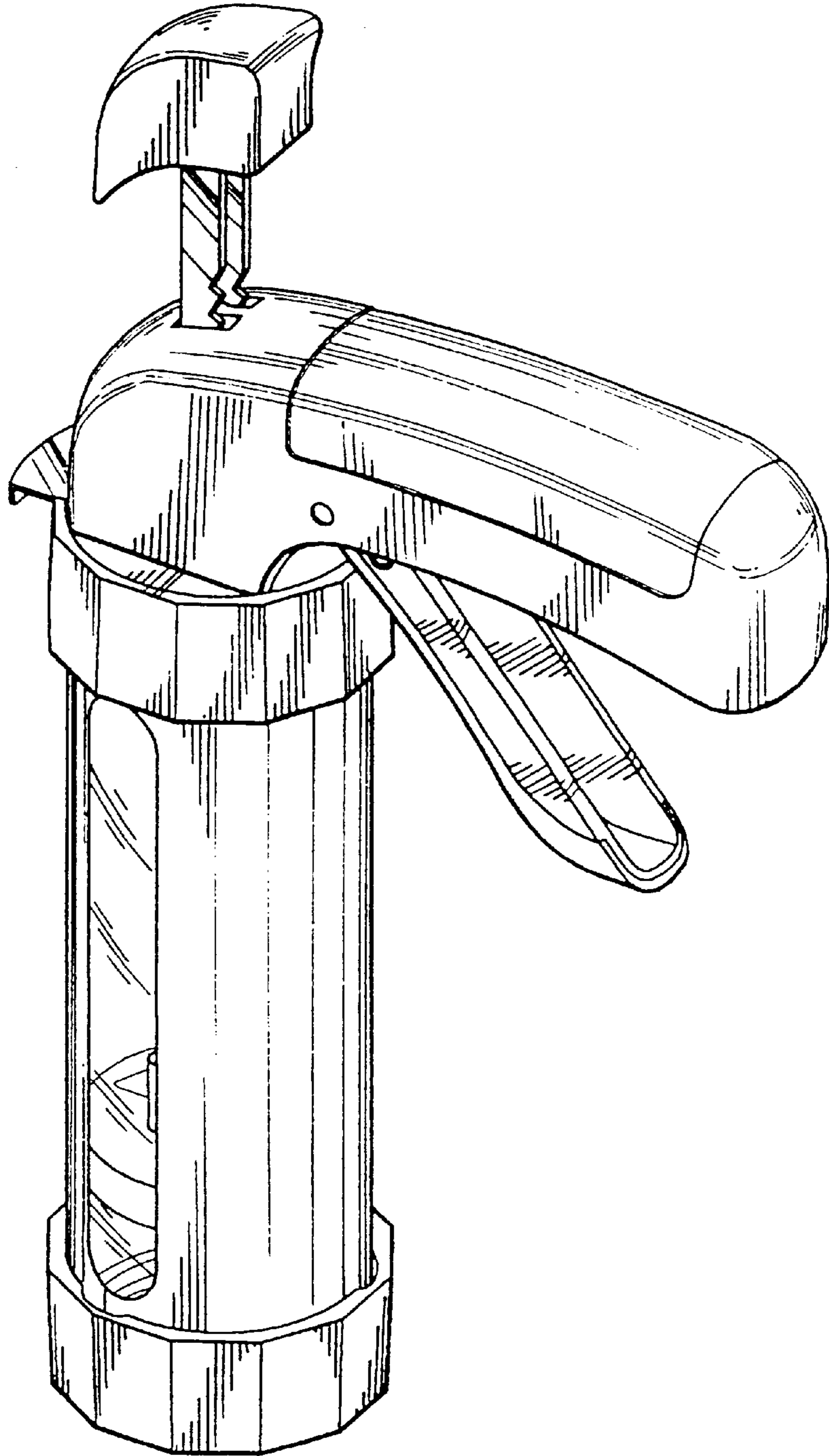


FIG. 1

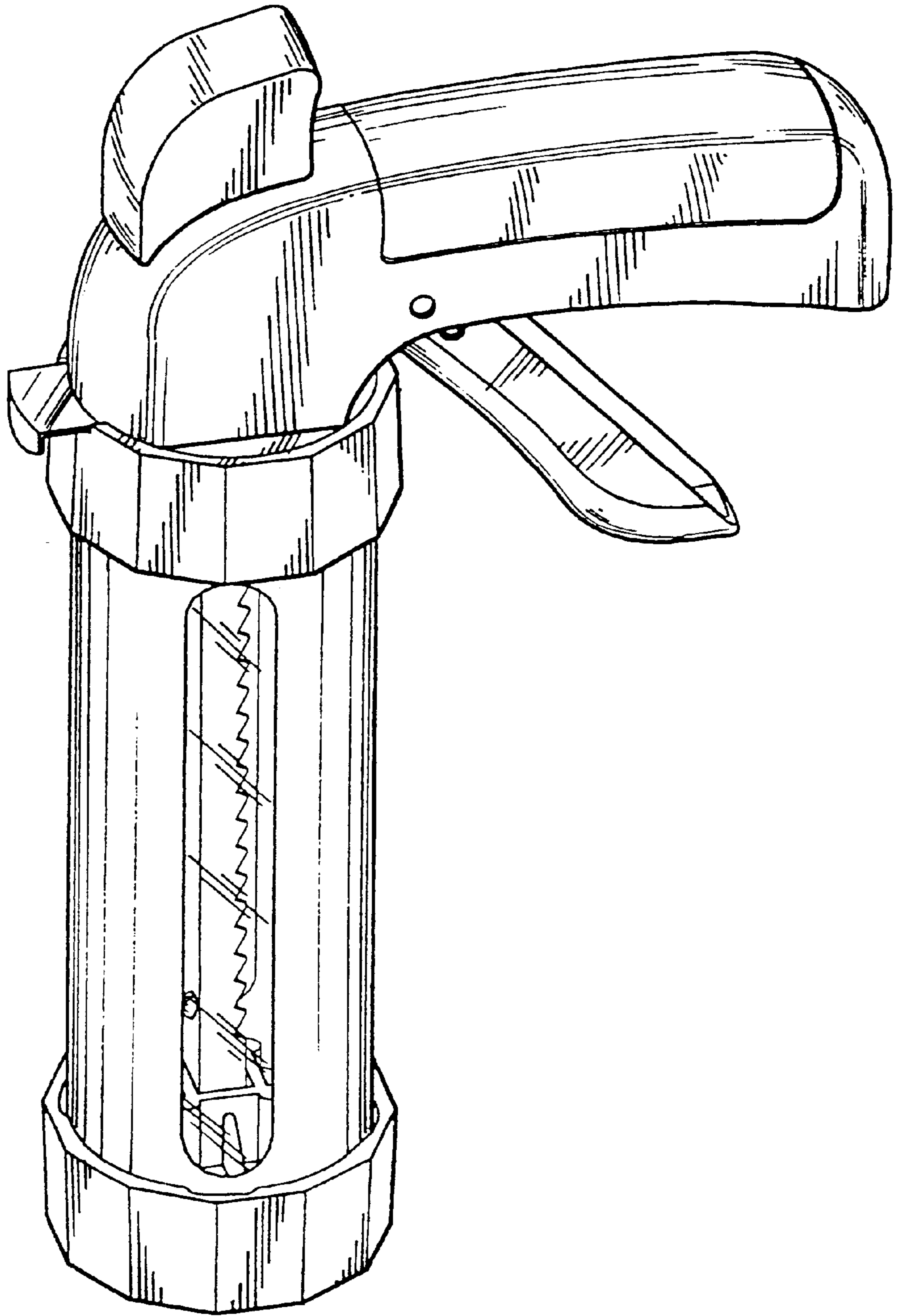


FIG. 2

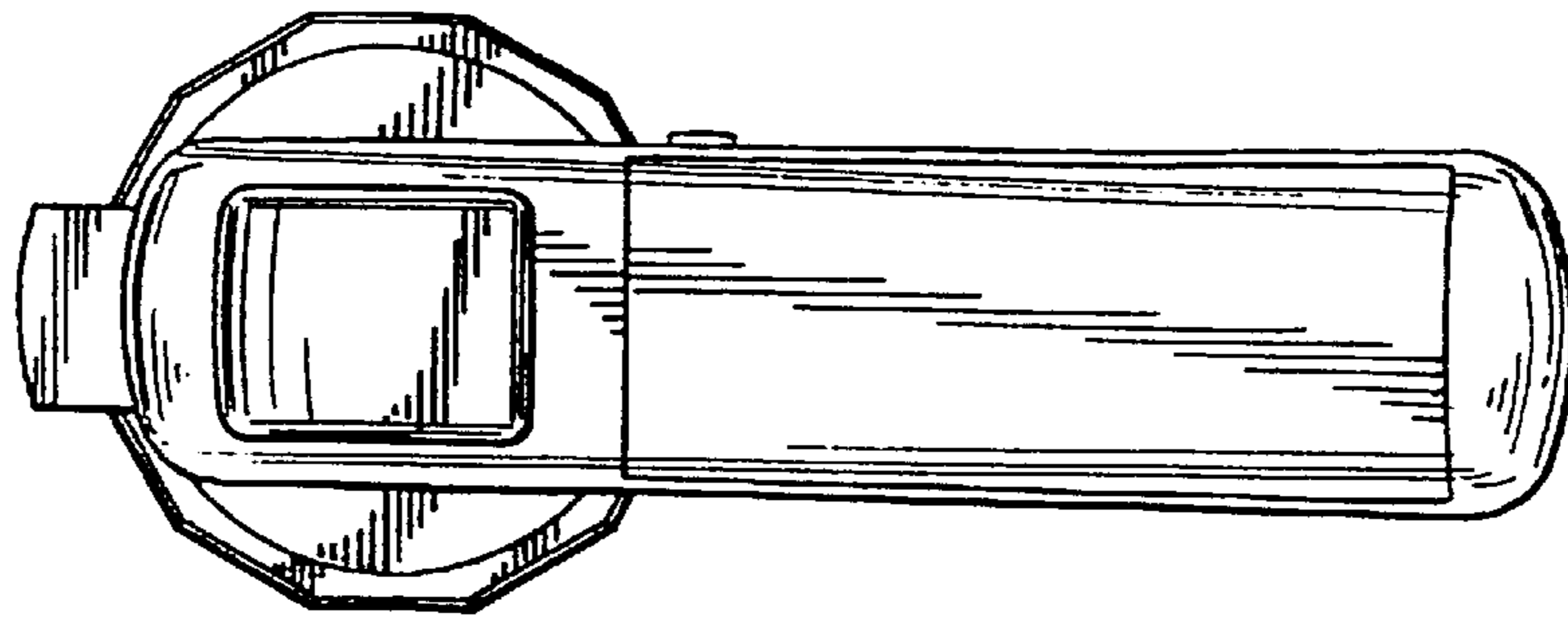


FIG. 3

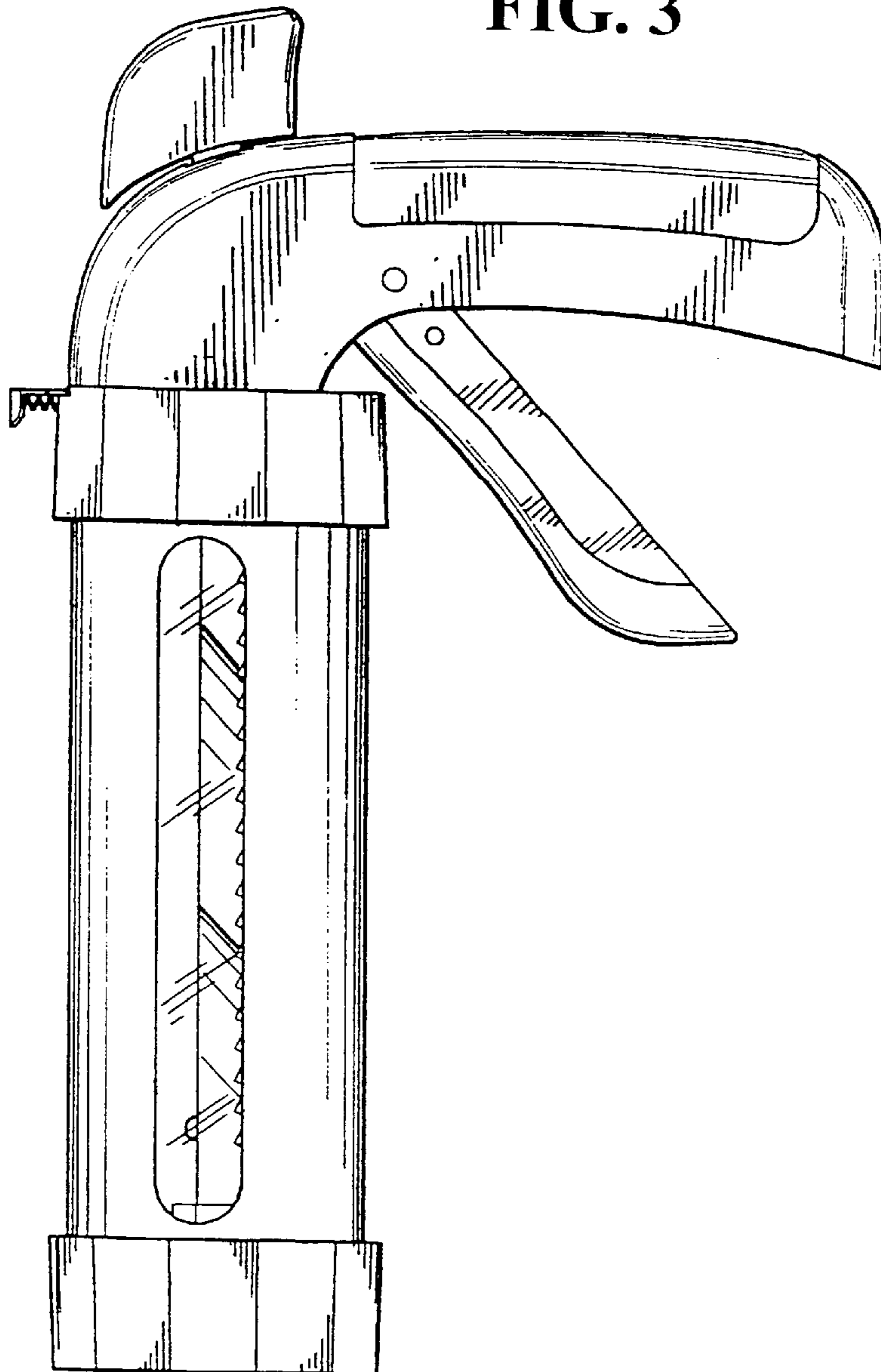


FIG. 4

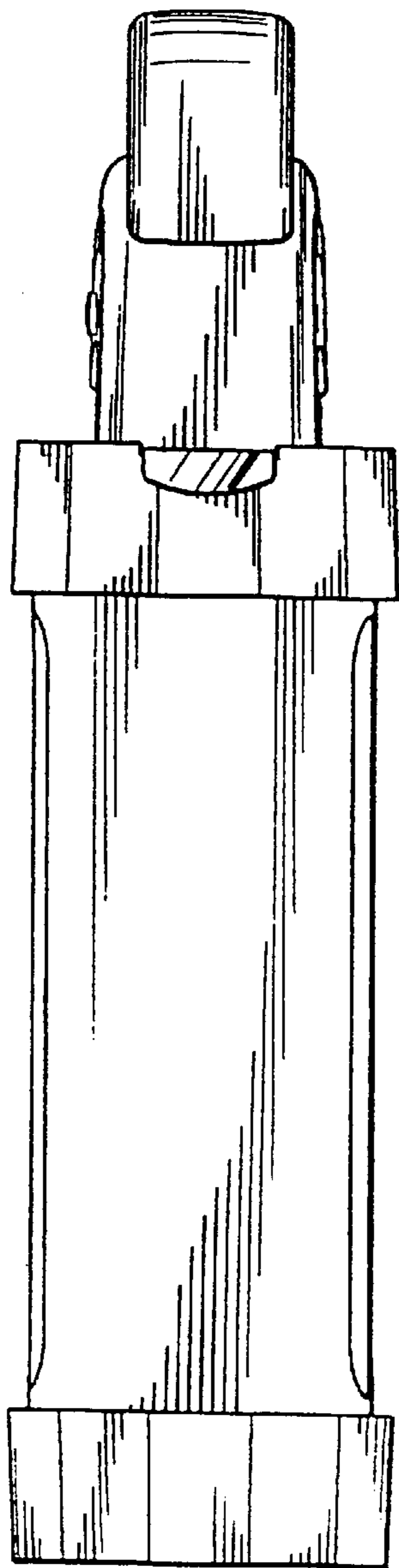


FIG. 5

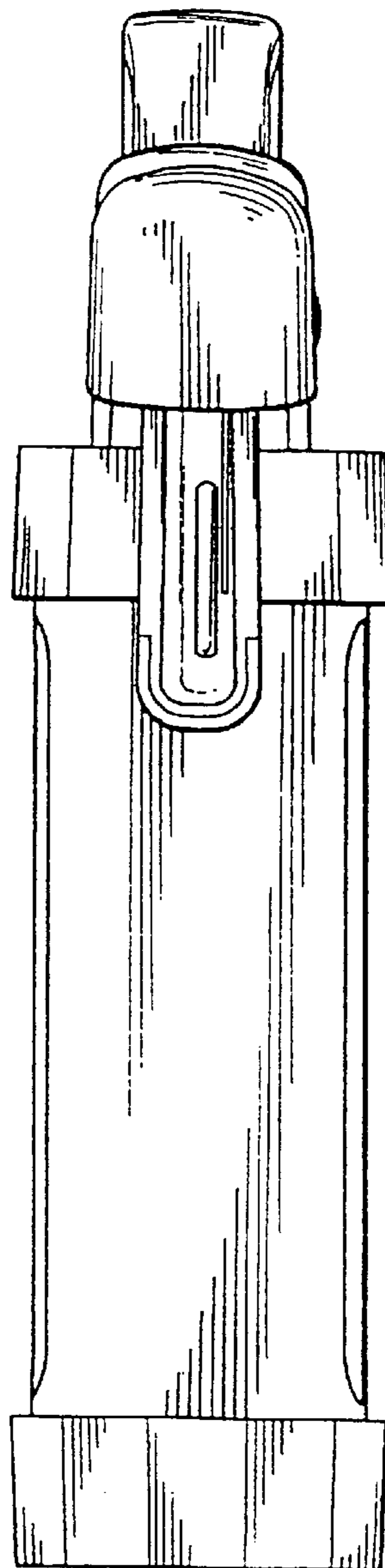


FIG. 6

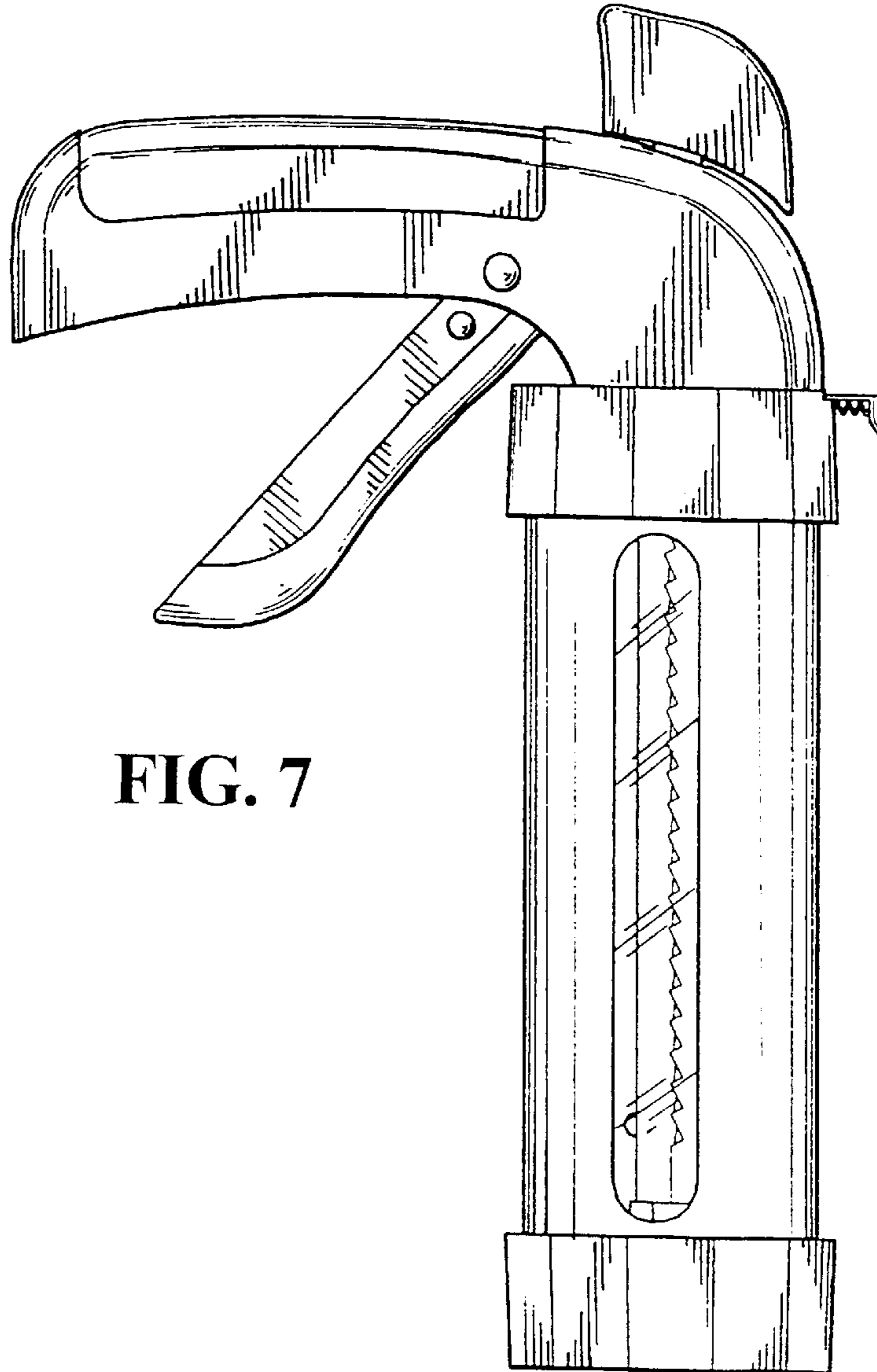


FIG. 7

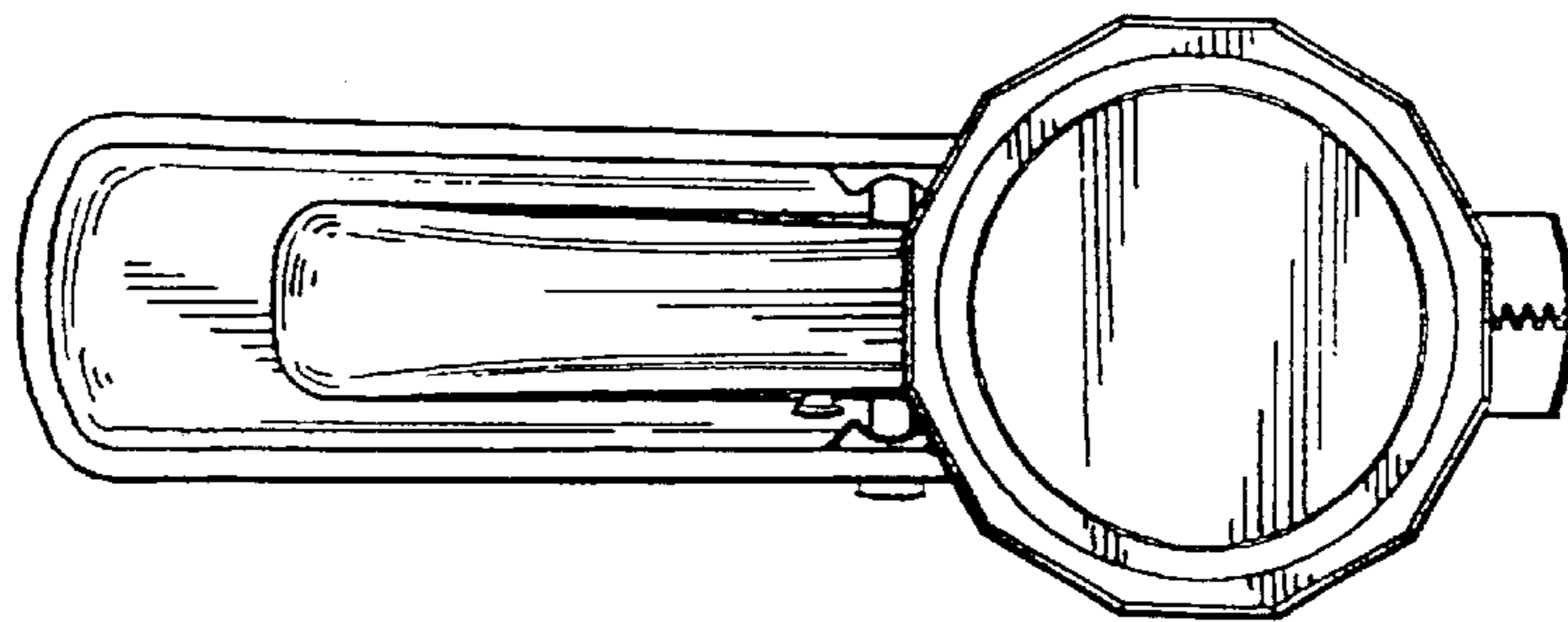


FIG. 8