



US00D462583S

(12) **United States Design Patent**  
**Dingert**

(10) **Patent No.:** **US D462,583 S**

(45) **Date of Patent:** **\*\* Sep. 10, 2002**

(54) **SQUEEZING APPARATUS**

2,212,328 A \* 8/1940 Scurlock ..... 99/508 X  
5,088,392 A \* 2/1992 Ancona et al. .... 99/499

(75) Inventor: **Uwe Dingert**, Absteinach (DE)

\* cited by examiner

(73) Assignee: **Carl Freudenberg KG**, Weinheim (DE)

*Primary Examiner*—Terry A. Wallace

(74) *Attorney, Agent, or Firm*—Fulbright & Jaworski L.L.P.

(\*\*) Term: **14 Years**

(57) **CLAIM**

(21) Appl. No.: **29/143,118**

The ornamental design for a squeezing apparatus, as shown and described.

(22) Filed: **Jun. 7, 2001**

(30) **Foreign Application Priority Data**

**DESCRIPTION**

Jan. 18, 2001 (DE) ..... 4 01 00 545

FIG. 1 is a side view of the juicing or squeezing apparatus of the invention.

(51) **LOC (7) Cl.** ..... **07-04**

FIG. 2 is a further side view of the squeezing apparatus, from a side opposite that shown in FIG. 1.

(52) **U.S. Cl.** ..... **D7/665**

(58) **Field of Search** ..... D7/669, 666, 678;  
99/499, 501–508; 241/100, 33, 36, 37,  
282.2; 100/213

FIG. 3 is a side view of the apparatus, the apparatus having been rotated clockwise compared to FIG. 1.

FIG. 4 is a further side view of the apparatus having been further rotated clockwise compared to FIG. 3.

FIG. 5 is a bottom view of the apparatus; and,

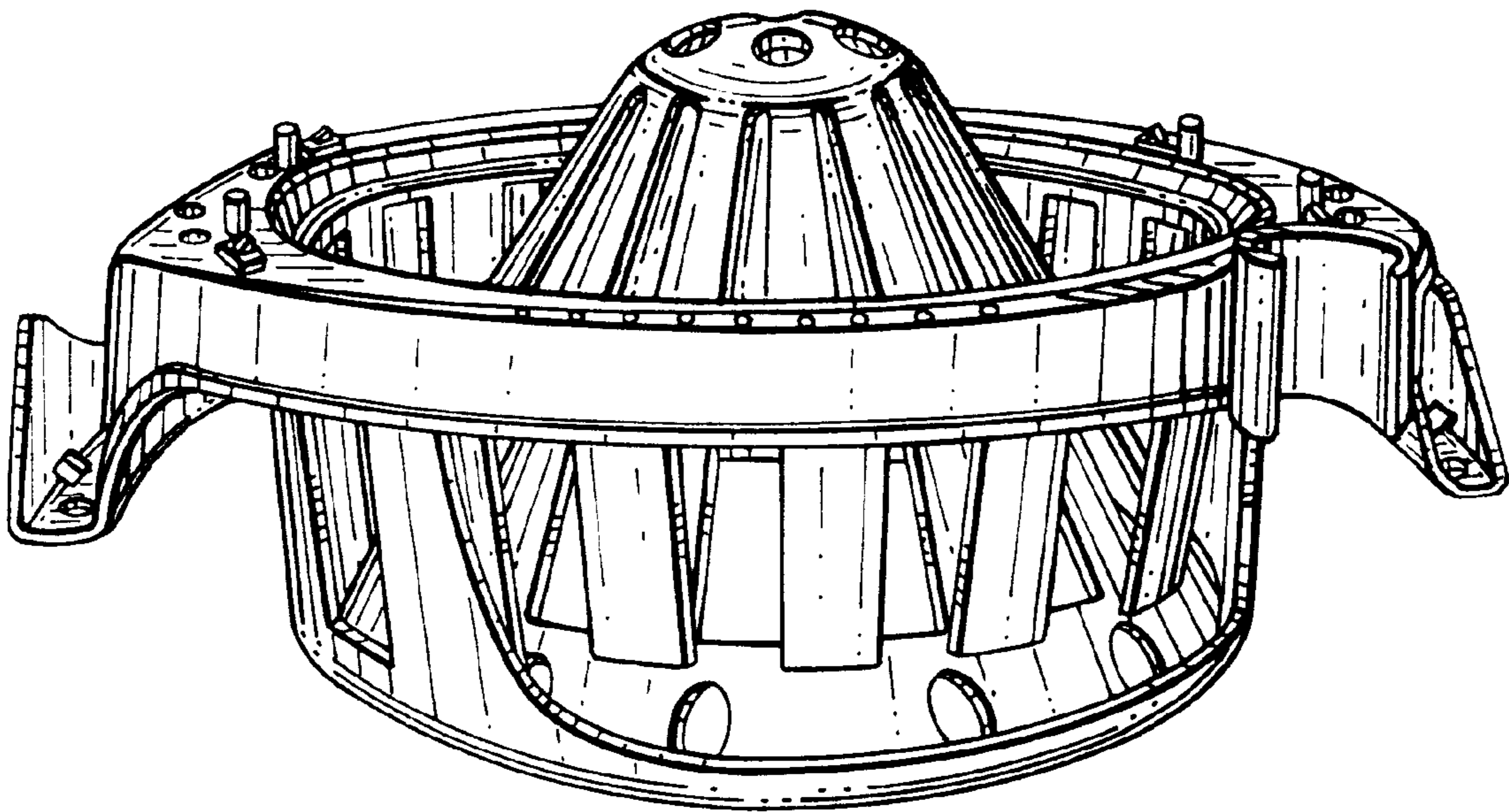
FIG. 6 is a top view of the apparatus.

(56) **References Cited**

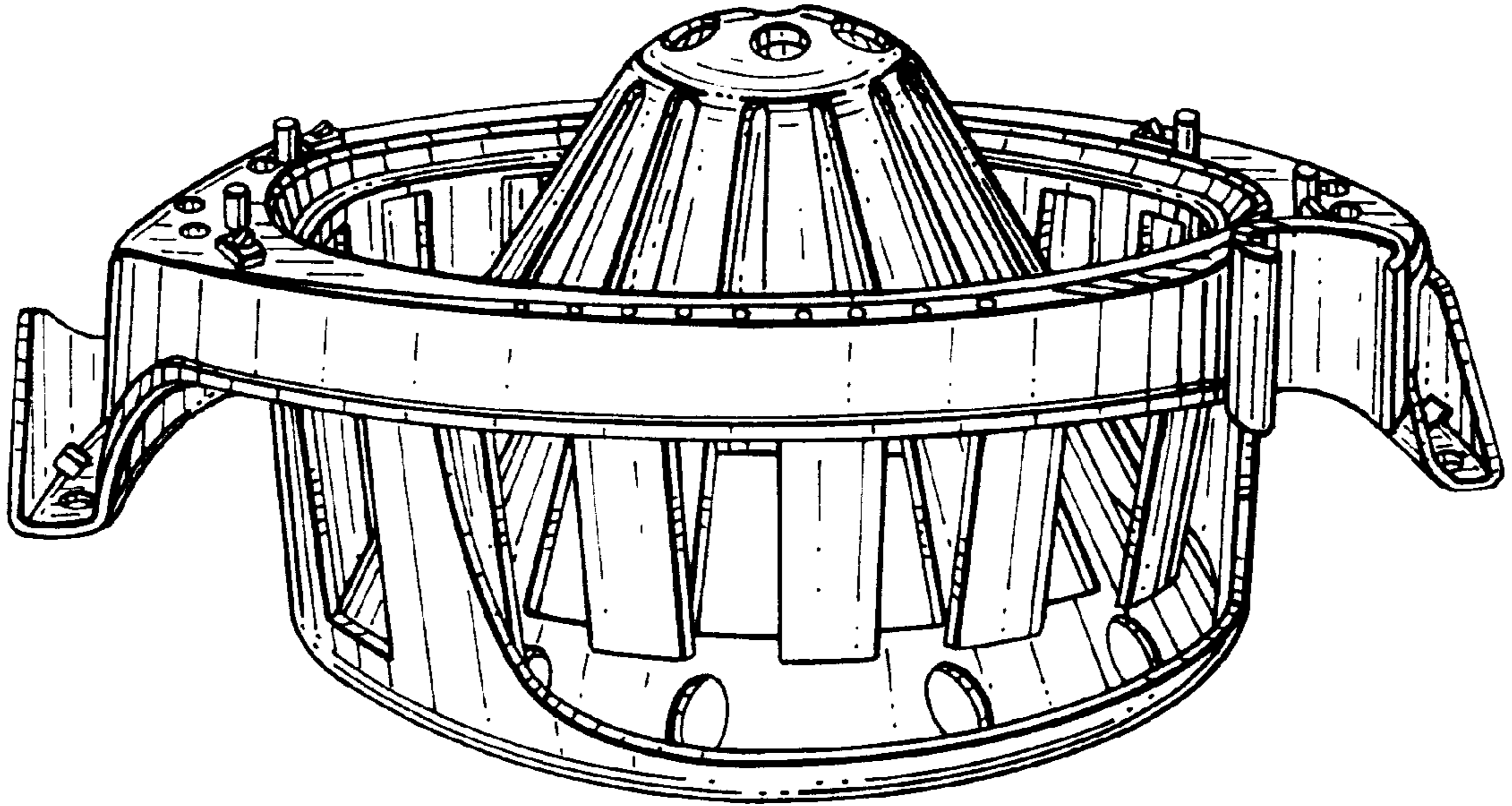
**U.S. PATENT DOCUMENTS**

1,341,496 A \* 5/1920 Creasey ..... 99/508  
1,517,339 A \* 12/1924 Brown ..... 99/508

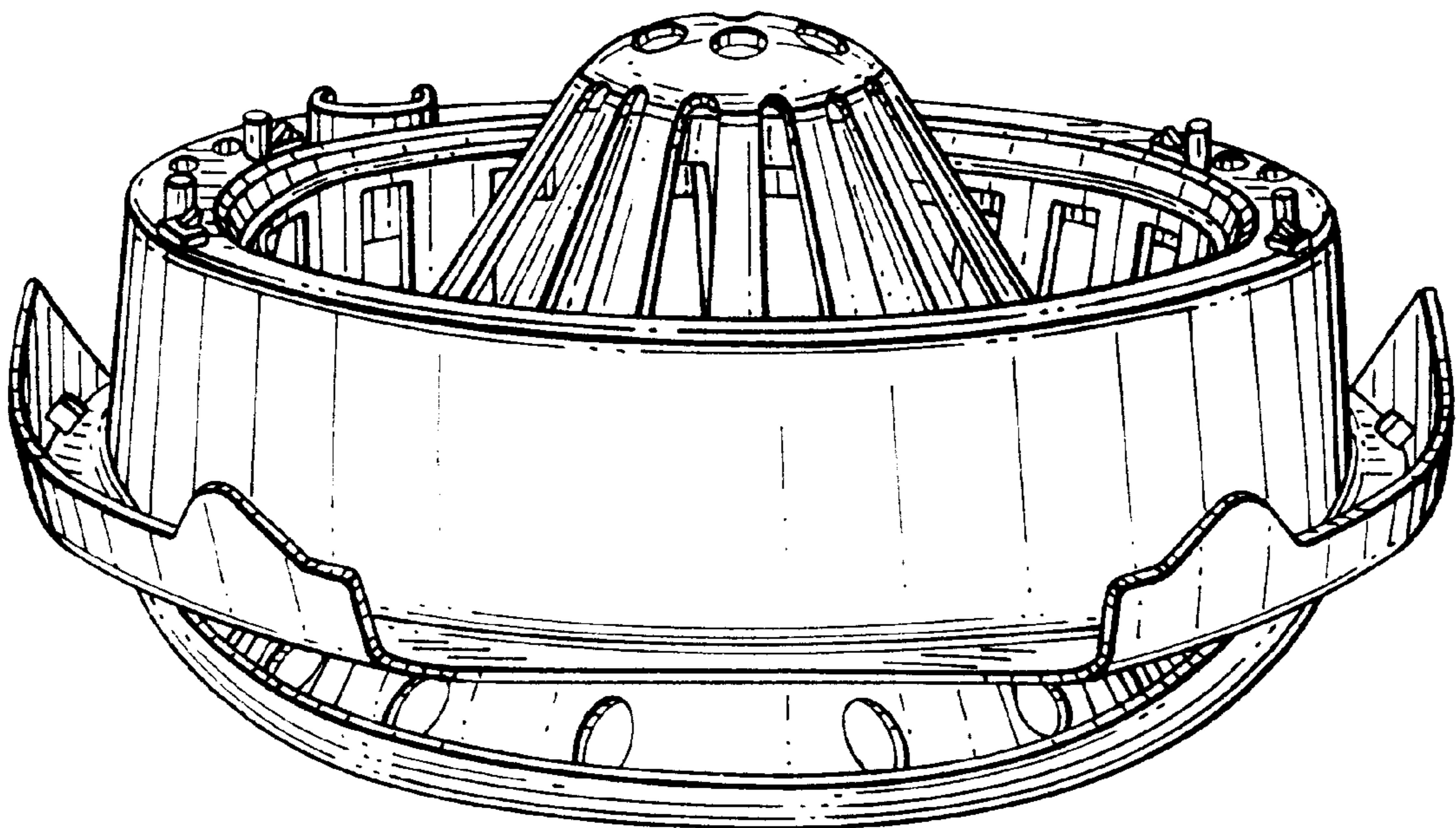
**1 Claim, 3 Drawing Sheets**



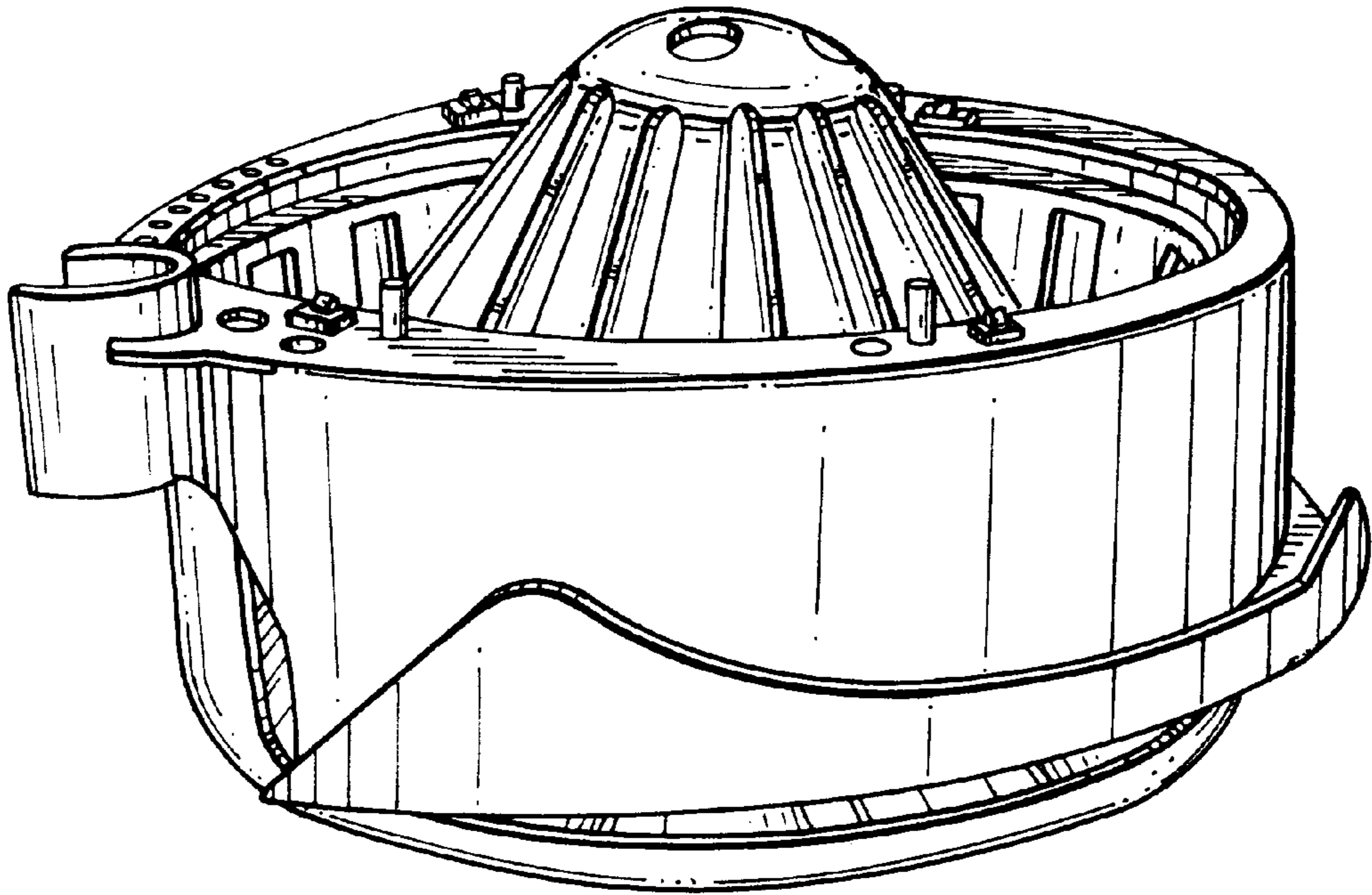
*FIG. 1*



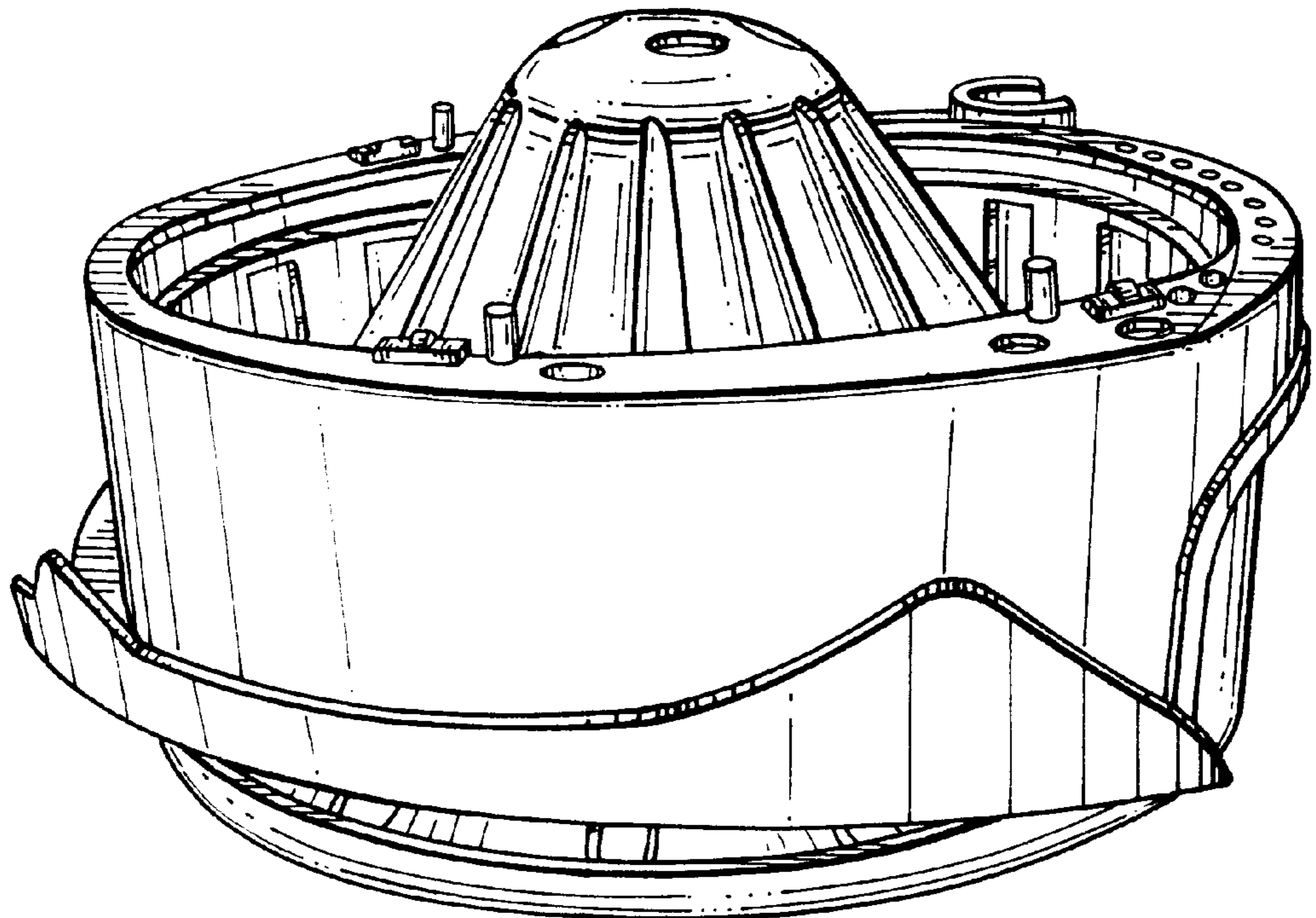
*FIG. 2*



*FIG. 3*

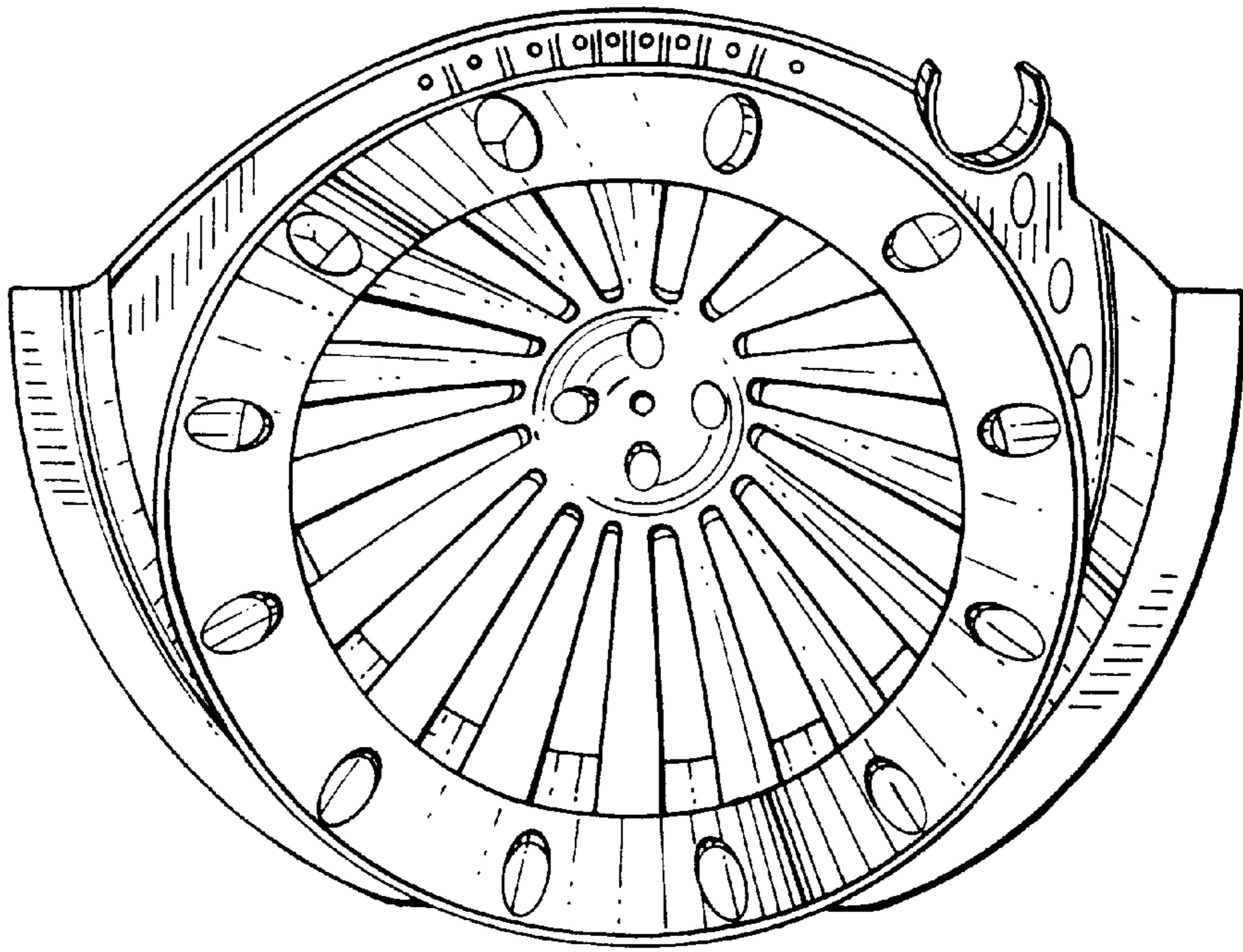


*FIG. 4*





*FIG. 5*



*FIG. 6*

