



US00D462579S

(12) **United States Design Patent**
Janky

(10) **Patent No.:** **US D462,579 S**

(45) **Date of Patent:** **** Sep. 10, 2002**

- (54) **CUP**
- (75) **Inventor:** **Gregory T. Janky**, Sammamish, WA (US)
- (73) **Assignee:** **Pacific Market, Inc.**, Seattle, WA (US)
- (**) **Term:** **14 Years**
- (21) **Appl. No.:** **29/142,812**
- (22) **Filed:** **Jun. 1, 2001**
- (51) **LOC (7) Cl.** **07-01**
- (52) **U.S. Cl.** **D7/536; D7/510; D7/511**
- (58) **Field of Search** **D7/536, 533, 523, D7/532, 509, 622; 215/398, 369, 6, 376, 10; 229/15 B; 220/714, 713, 669, 23.86, 703, 756**

- 4,917,251 A * 4/1990 Favre 215/371
- D319,557 S 9/1991 Unger
- D321,113 S 10/1991 Unger
- D356,925 S * 4/1995 Wonder D7/536
- D394,187 S 5/1998 Orrico et al.
- D406,012 S 2/1999 Indeku
- D406,985 S 3/1999 Trombly
- D409,446 S 5/1999 St. John et al.
- D411,713 S 6/1999 Bridges
- D418,013 S * 12/1999 Fujii D7/510

OTHER PUBLICATIONS

Contemporary Classics, 1996 Centennial Olympic Collection, catalog, USA.
 The Thermos Company, Unbreakable Mugs JMC 250G, magazine, USA.
 The Thermos Company, Vacuum Insulated Mug JMJ 180/JMJ 350, magazine, USA.
 Highwave Incorporated, Highwave Designs for '95, catalog, USA.
 Pacific Market, Inc., (design sold at least as early as 1996).
 Pacific Market, Inc., (design sold at least as early as 1996).
 Pacific Market, Inc., (design sold at least as early as 1995).
 Pacific Market, Inc., (design sold at least as early as 1996).

* cited by examiner

Primary Examiner—M. N. Pandozzi
 (74) *Attorney, Agent, or Firm*—Richardson & Folise

(56) **References Cited**

U.S. PATENT DOCUMENTS

- D78,171 S * 4/1929 Stern D7/536
- D100,850 S * 8/1936 Cowan D7/536
- D100,852 S 8/1936 Cowan
- D128,242 S * 7/1941 Dolphin D7/536
- D165,680 S 1/1952 Cowan
- D166,014 S 2/1952 Wright
- D170,409 S 9/1953 Hare
- D184,518 S * 3/1959 Folley D7/536
- D184,566 S * 3/1959 Holzworth et al. D7/536
- 2,895,636 A 7/1959 Martin
- D192,174 S * 2/1962 Trombly D7/536
- D194,053 S 11/1962 Cornelius
- D202,643 S * 10/1965 Hoyt D7/536
- 3,224,629 A * 12/1965 Cummings 215/398
- 3,313,447 A 4/1967 Spencer
- 3,363,820 A 1/1968 Schilling
- D213,460 S 3/1969 Beckman et al.
- D224,623 S 8/1972 Ketcham et al.
- D225,792 S 1/1973 Fritsche et al.
- 3,971,471 A 7/1976 Ludder
- D269,147 S 5/1983 Trombly
- D288,270 S * 2/1987 Winterling D7/536
- D288,397 S 2/1987 Unger
- 4,765,465 A 8/1988 Yamada et al.

(57) **CLAIM**

The ornamental design for a cup, as shown and described.

DESCRIPTION

FIG. 1 is a top, right perspective view of a mug showing my new cup design.
 FIG. 2 is a right side elevational view of the design.
 FIG. 3 is a rear elevational view of the design.
 FIG. 4 is a left side elevational view of the design, the right side being a mirror image thereof.
 FIG. 5 is a front elevational view of the design.
 FIG. 6 is a top plan view of the design; and,
 FIG. 7 is a bottom plan view of the design.

1 Claim, 4 Drawing Sheets



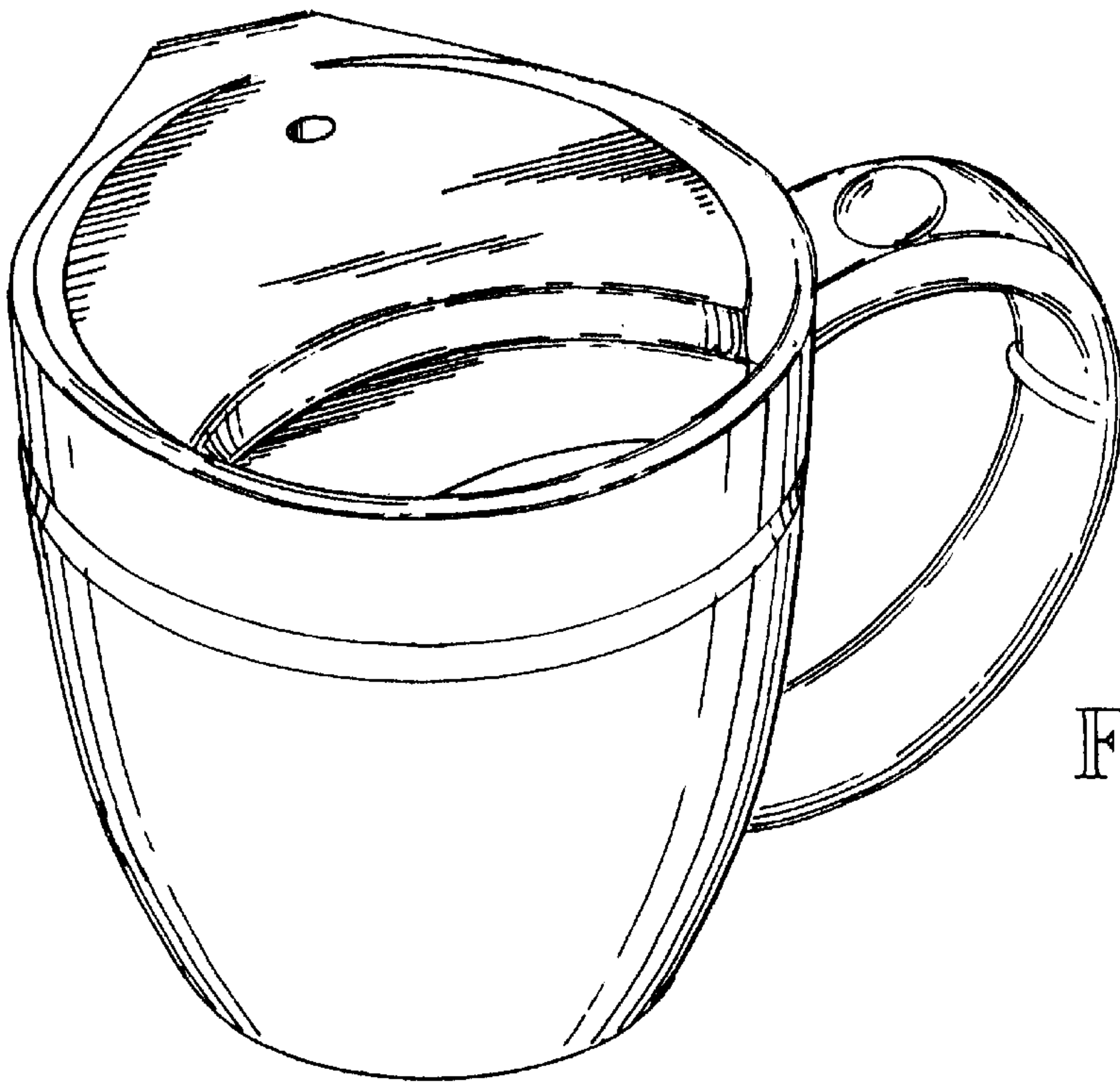
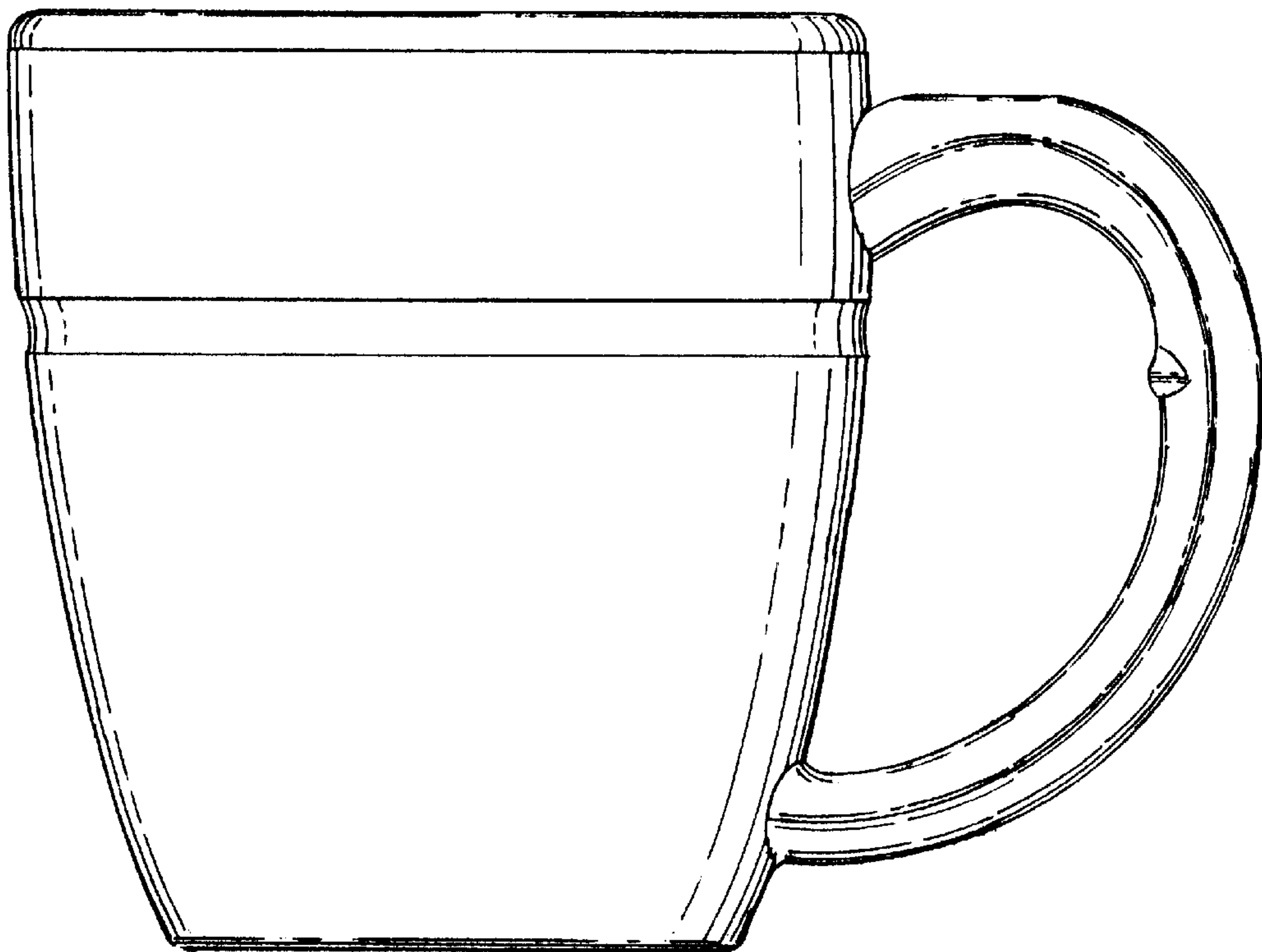


FIG. 1

FIG. 2



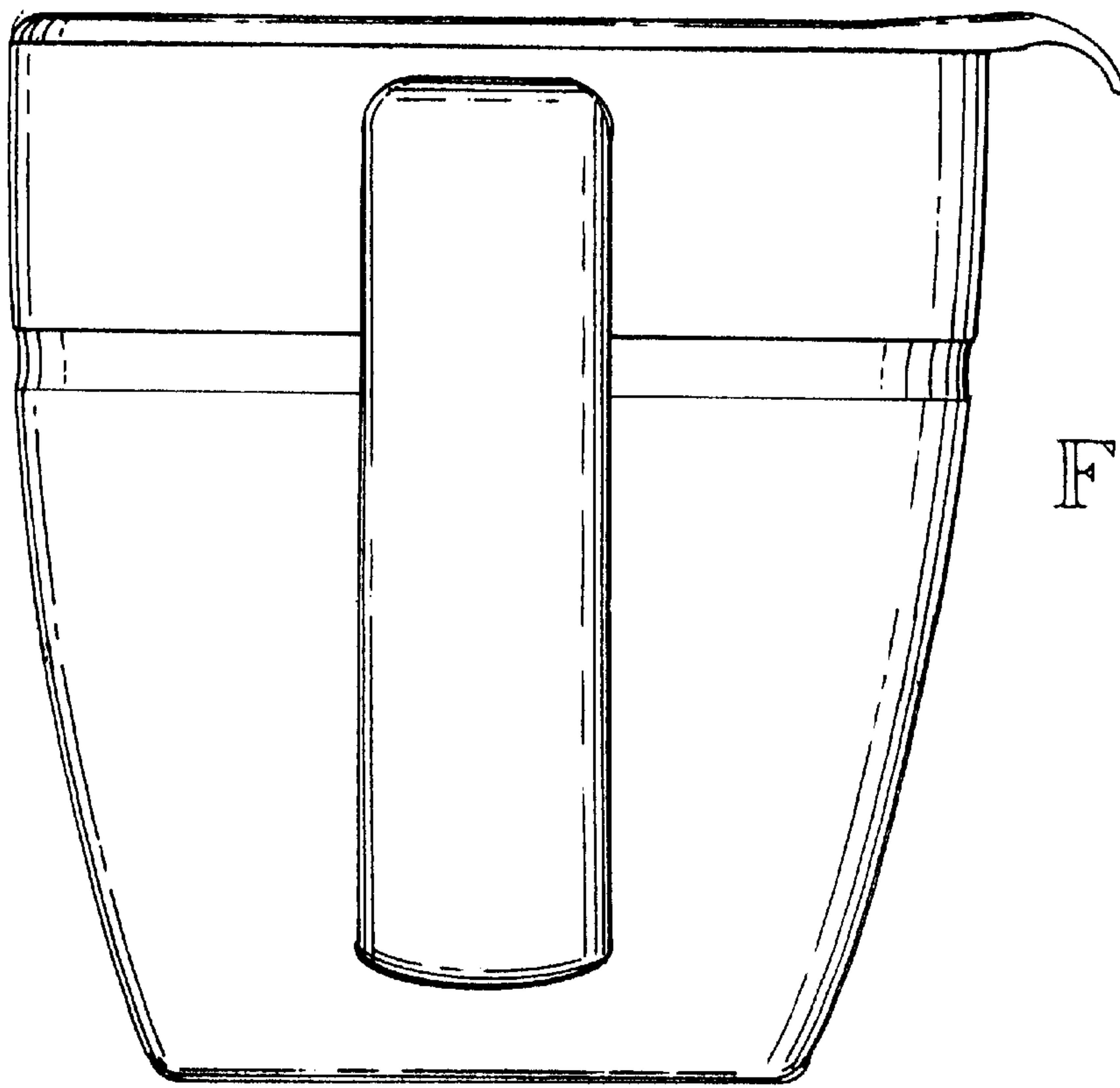


FIG. 3

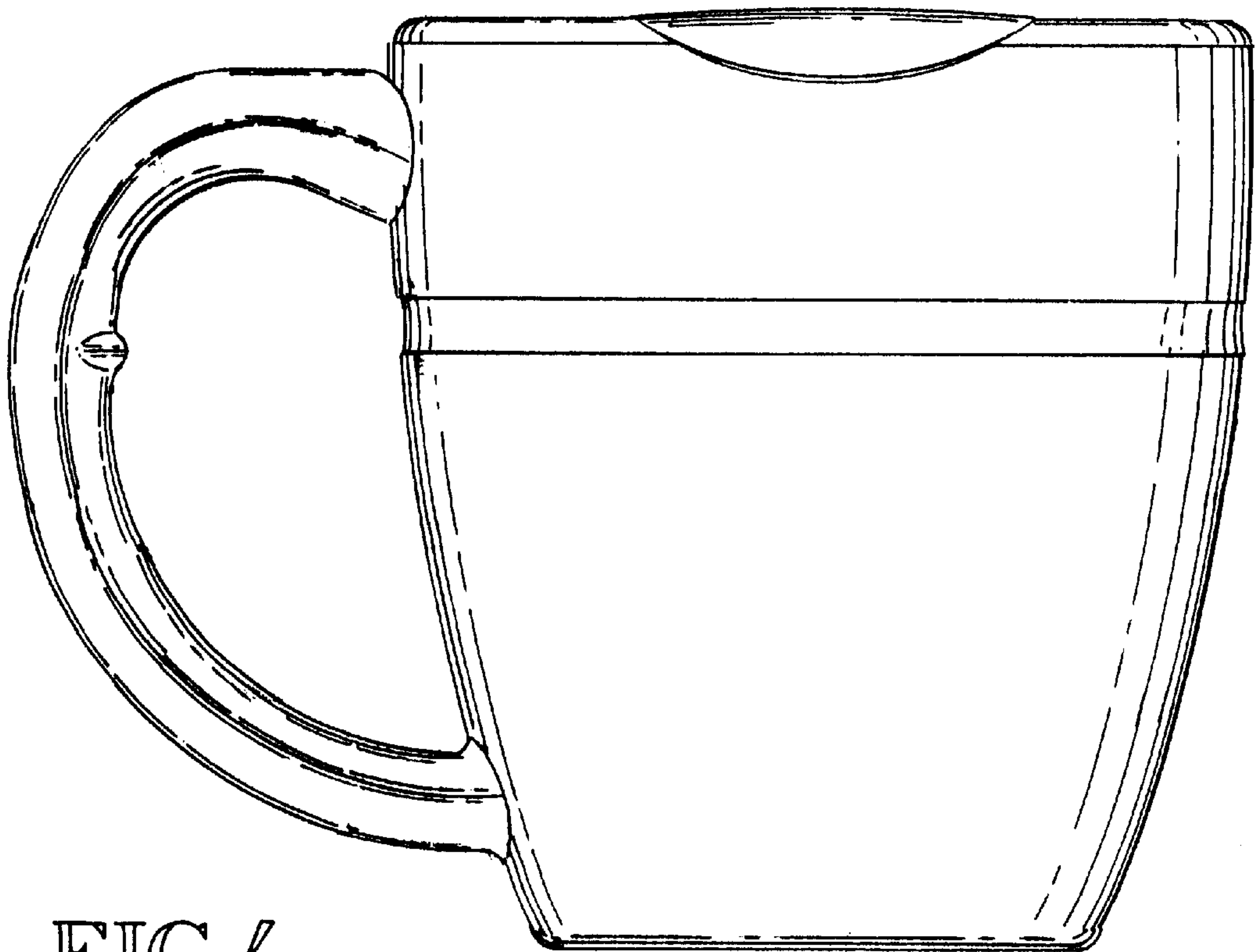


FIG. 4

FIG. 5

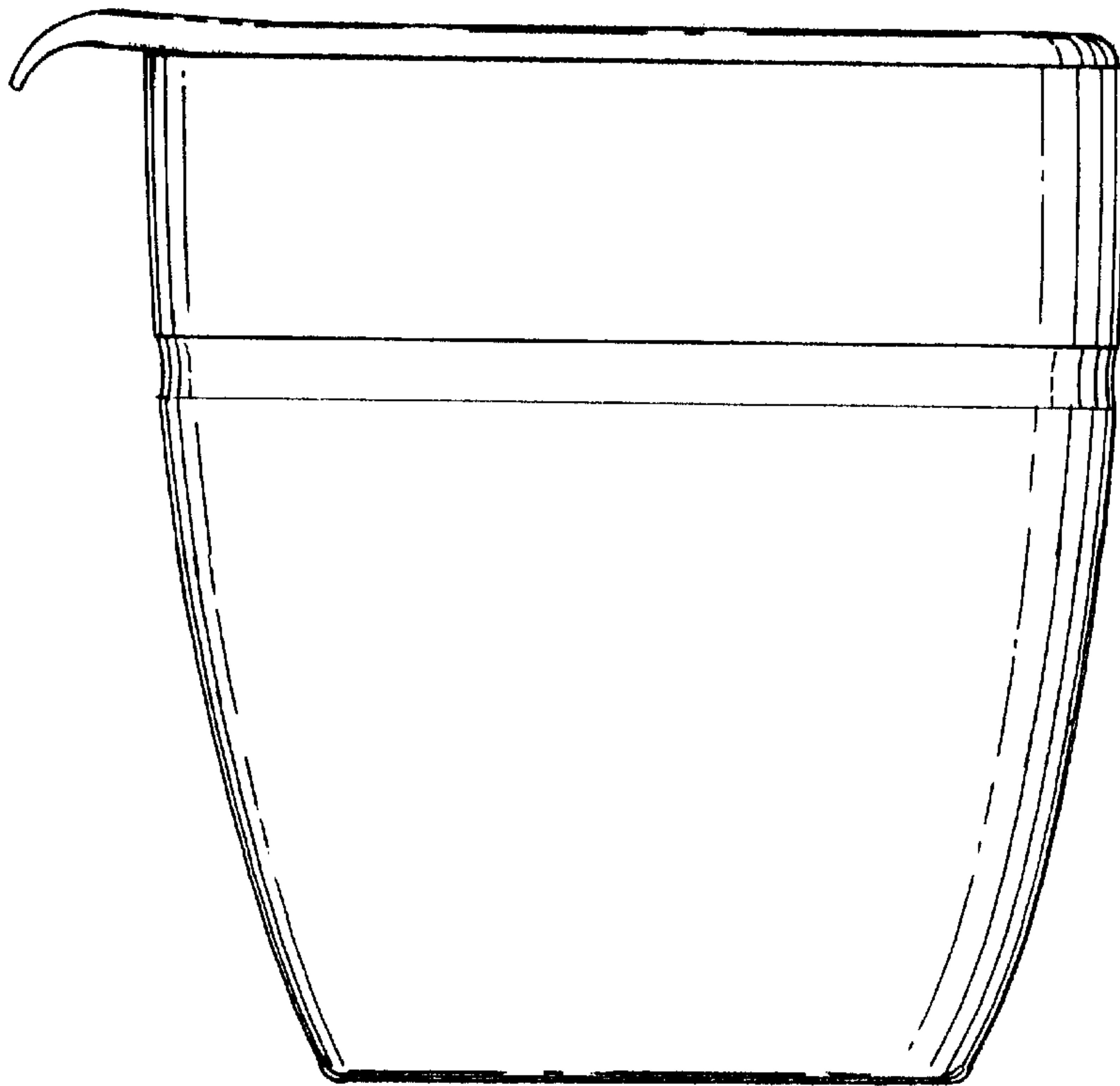


FIG. 6

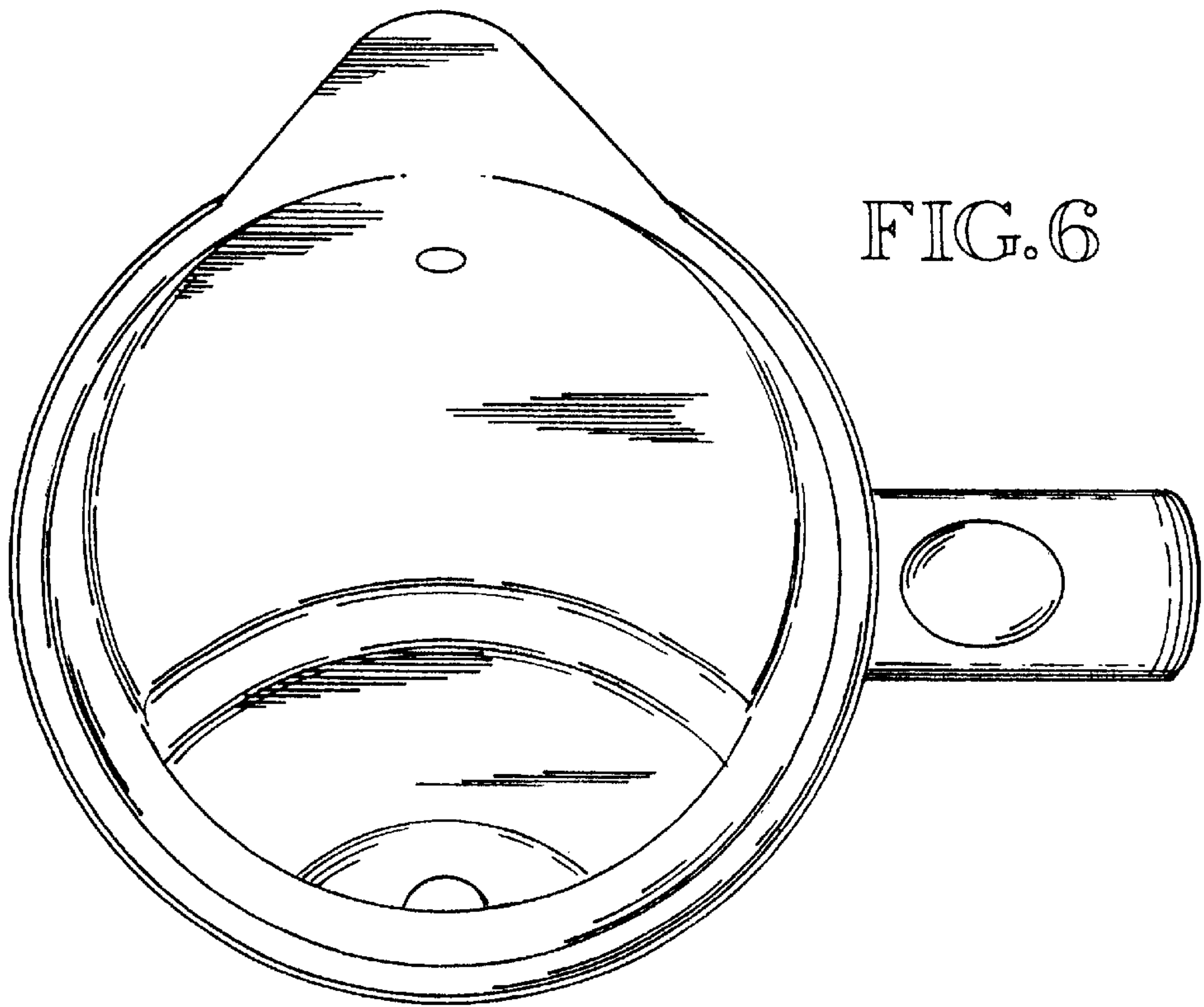


FIG. 7

